



US00D990152S

(12) **United States Design Patent**
Kane

(10) **Patent No.:** **US D990,152 S**

(45) **Date of Patent:** **** Jun. 27, 2023**

(54) **KEY ORGANIZER**

(71) Applicant: **The Ridge Wallet LLC**, Santa Monica, CA (US)

(72) Inventor: **Daniel Kane**, Santa Monica, CA (US)

(73) Assignee: **The Ridge Wallet LLC**, Santa Monica, CA (US)

(**) Term: **15 Years**

(21) Appl. No.: **29/808,848**

(22) Filed: **Sep. 23, 2021**

(51) **LOC (14) Cl.** **03-01**

(52) **U.S. Cl.**
USPC **D3/207**

(58) **Field of Classification Search**

USPC D3/207, 208, 209, 210, 211, 212, 215;
D8/99, 100, 349, 356, 382, 394, 395
CPC A44B 15/00; A44B 15/002; A44B 15/005;
A44B 15/007; A45F 5/02; A45F
2200/0558; A63B 29/02; F16B 45/02;
Y10T 24/1379; Y10T 24/1394; Y10T
(Continued)

(56) **References Cited**

U.S. PATENT DOCUMENTS

3,354,679 A * 11/1967 Le Fave A45C 11/324
70/456 R
3,877,269 A * 4/1975 Dehart A45C 11/324
70/456 R

(Continued)

FOREIGN PATENT DOCUMENTS

FR 3051335 A1 * 11/2017
FR 3051335 A1 11/2017
HK 1501658-0001 * 11/2015

OTHER PUBLICATIONS

The Ridge Key Organizer . . . —Amazon, Date First Available Apr. 11, 2022, amazon.com, [online], [site visited Feb. 8, 2023], Avail-

able from internet URL <https://www.amazon.com/dp/B09TRYRVMQ?ref=cm_sw_r_cp_ud_dp_GSAZC7G4TTRF5YZH2PQ0&th=1> (Year: 2022).*

(Continued)

Primary Examiner — Jeffrey D Asch

Assistant Examiner — Jane Yoon

(74) *Attorney, Agent, or Firm* — K&L Gates LLP; Brian J. Novak; Giorgios N. Kefallinos

(57) **CLAIM**

The ornamental design for a key organizer, as shown and described.

DESCRIPTION

FIG. 1 is a front, top and left side perspective view of a first embodiment of my new design for a key organizer;

FIG. 2 is a bottom, rear and right side perspective view thereof;

FIG. 3 is a left plan view thereof;

FIG. 4 is a right plan view thereof;

FIG. 5 is a top plan view thereof;

FIG. 6 is a bottom plan view thereof;

FIG. 7 is a front plan view thereof;

FIG. 8 is a rear plan view thereof;

FIG. 9 is a front, top and left side perspective view of a second embodiment of my new design for a key organizer;

FIG. 10 is a bottom, rear and right side perspective view thereof;

FIG. 11 is a left plan view thereof;

FIG. 12 is a right plan view thereof;

FIG. 13 is a top plan view thereof;

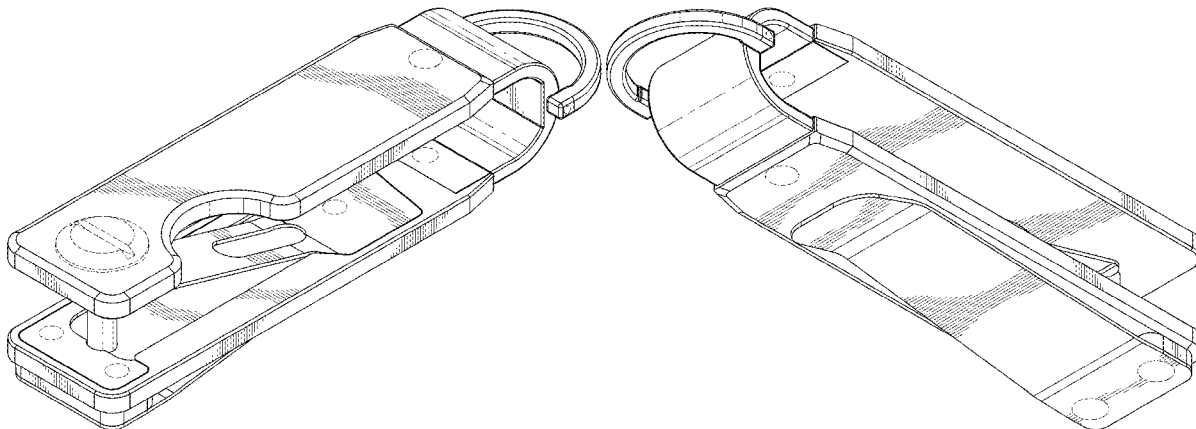
FIG. 14 is a bottom plan view thereof;

FIG. 15 is a front plan view thereof; and,

FIG. 16 is a rear plan view thereof.

The lighter, evenly-spaced broken lines shown in the drawings illustrate portions of the key organizer which form no part of the embodiment in which they are shown.

1 Claim, 10 Drawing Sheets



(58) **Field of Classification Search**

CPC 24/45277; Y10T 24/45319; Y10T 24/4534;
 Y10T 24/45361; Y10T 24/45366; Y10T
 70/8676; Y10T 70/8703; Y10T 70/873;
 Y10T 70/8757; Y10T 70/8784

See application file for complete search history.

D927,848 S * 8/2021 Tunney D3/207
 D950,942 S * 5/2022 Kao D3/208
 D959,049 S * 7/2022 Sung D27/172

OTHER PUBLICATIONS

Spigen Metal Fit Key Chain . . . —Amazon, Date First Available Jun. 22, 2022, amazon.com, [online], [site visited Feb. 8, 2023], Available from internet URL <https://www.amazon.com/dp/B0B4TBJ2PY?ref=cm_sw_r_cp_ud_dp_CKV1DH9J3HWQ06VWACT6> (Year: 2022).*

Screen capture from YouTube video clip entitled “The Ridge KeyCase 2022 [Unboxing & Overview],” 1 pg, uploaded on Nov. 25, 2021 by user “All The Wallets.” Retrieved from Internet: <<https://www.youtube.com/watch?v=2UDUUbdcR08>> (Year: 2021).*

Keysmart, “Key Smart Max,” website: <https://www.getkeysmart.com/>. 3 pages.

Orbitkey, Inc., “Orbitkey,” website: <https://www.orbitkey.com/>. 3 pages.

Distil Union, “Distil KeyLoop Kit,” website: <https://distilunion.com/products/keyloop-kit>. 3 pages.

Keybar, “KeyBar,” website: <https://www.keybar.us/>. 2 pages.

Ekster, “Ekster Key Holder,” website: <https://ekster.com/products/key-holder>. 3 pages.

The Ridge Key Organizer . . . - Amazon, Date First Available Apr. 11, 2022, amazon.com, [online], [site visited Feb. 8, 2023], Available from internet URL <https://www.amazon.com/dp/B09TRYRVMQ2ref=cm_sw_r_cp_ud_dp_GSAZC7G4TTRF5YZH2PQ0&th=1> (Year: 2022).

Spigen Metal Fit Key Chain . . . - Amazon, Date First Available Jun. 22, 2022, amazon.com, [online], [site visited Feb. 8, 2023], Available from internet URL <https://www.amazon.com/dp/B0B4TBJ2PY2ref=cm_sw_r_cp_ud_dp_CKV1DH9J3HWQ06VWACT6> (Year: 2022).

Screen capture from YouTube video clip entitled “The Ridge KeyCase 2022 [Unboxing & Overview],” 1 pg, uploaded on Nov. 25, 2021 by user “All The Wallets.” Retrieved from Internet: <<https://www.youtube.com/watch?v=2UDUUbdcR08>> (Year: 2021).

(56) **References Cited**

U.S. PATENT DOCUMENTS

4,253,321 A * 3/1981 Sorensen A45C 11/324
 70/456 R
 4,596,126 A * 6/1986 Sorensen A45C 11/324
 70/456 R
 D285,866 S * 9/1986 Gamble D8/99
 5,117,666 A * 6/1992 Keefer A45C 11/321
 70/456 R
 D356,019 S * 3/1995 Sakai D8/99
 D392,539 S * 3/1998 Balolia D8/99
 D472,124 S * 3/2003 Park D8/57
 D541,128 S * 4/2007 Farland D8/99
 7,334,616 B2 2/2008 Kaminski
 D696,567 S * 12/2013 Leh D8/99
 D696,919 S * 1/2014 Leh D8/99
 D705,533 S * 5/2014 Tunney D3/207
 D728,922 S * 5/2015 Taylor D3/207
 D730,710 S * 6/2015 Lau D8/100
 D754,428 S * 4/2016 Tunney D3/207
 D756,629 S * 5/2016 Tunney D3/207
 D756,630 S * 5/2016 Tunney D3/207
 D768,980 S * 10/2016 Alexander D8/99
 D771,936 S * 11/2016 Shlaferman D3/207
 D794,321 S * 8/2017 Downes D3/207
 D796,184 S * 9/2017 Terkel D3/207
 D832,073 S * 10/2018 Lee D27/142
 D833,139 S * 11/2018 Hadden D3/207
 D858,087 S * 9/2019 Julianloo D3/207
 D861,326 S * 10/2019 Riley D3/207
 D863,928 S * 10/2019 Chalfant D8/99

* cited by examiner

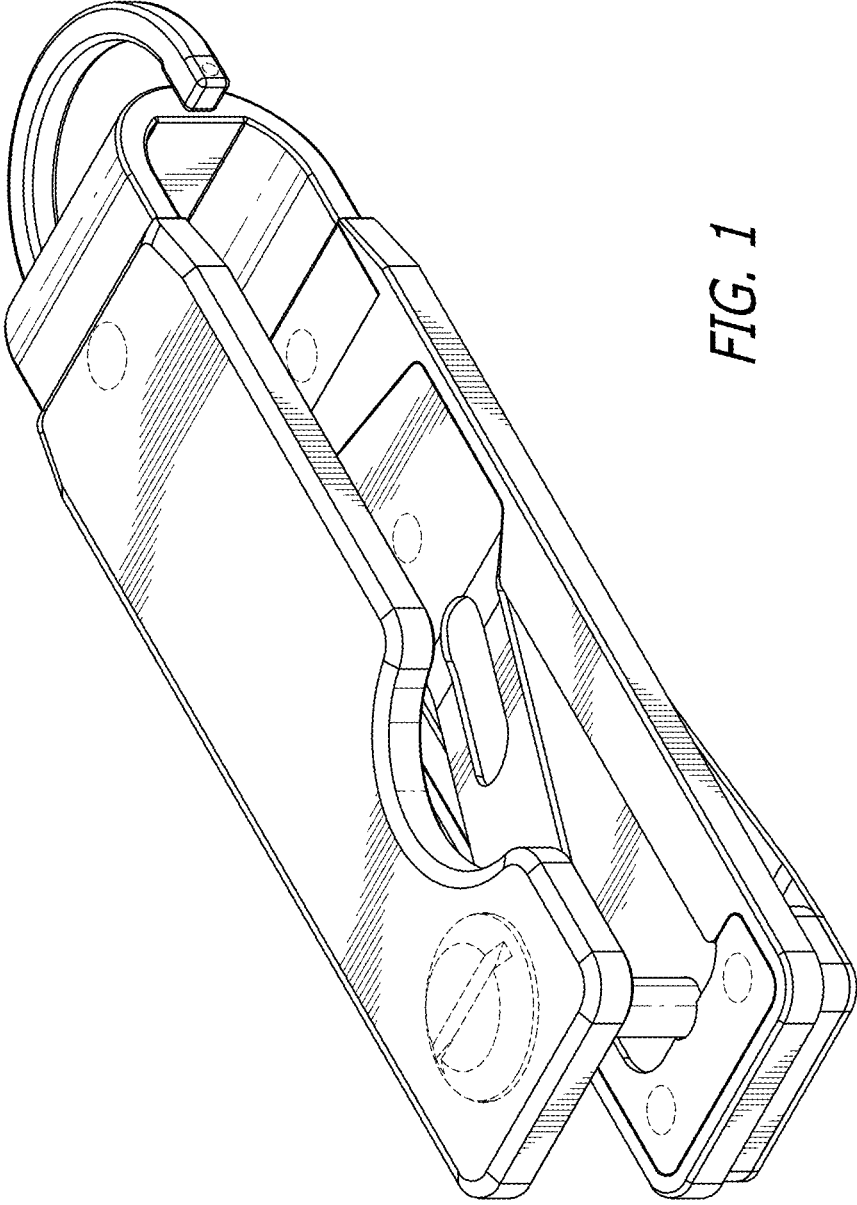


FIG. 1

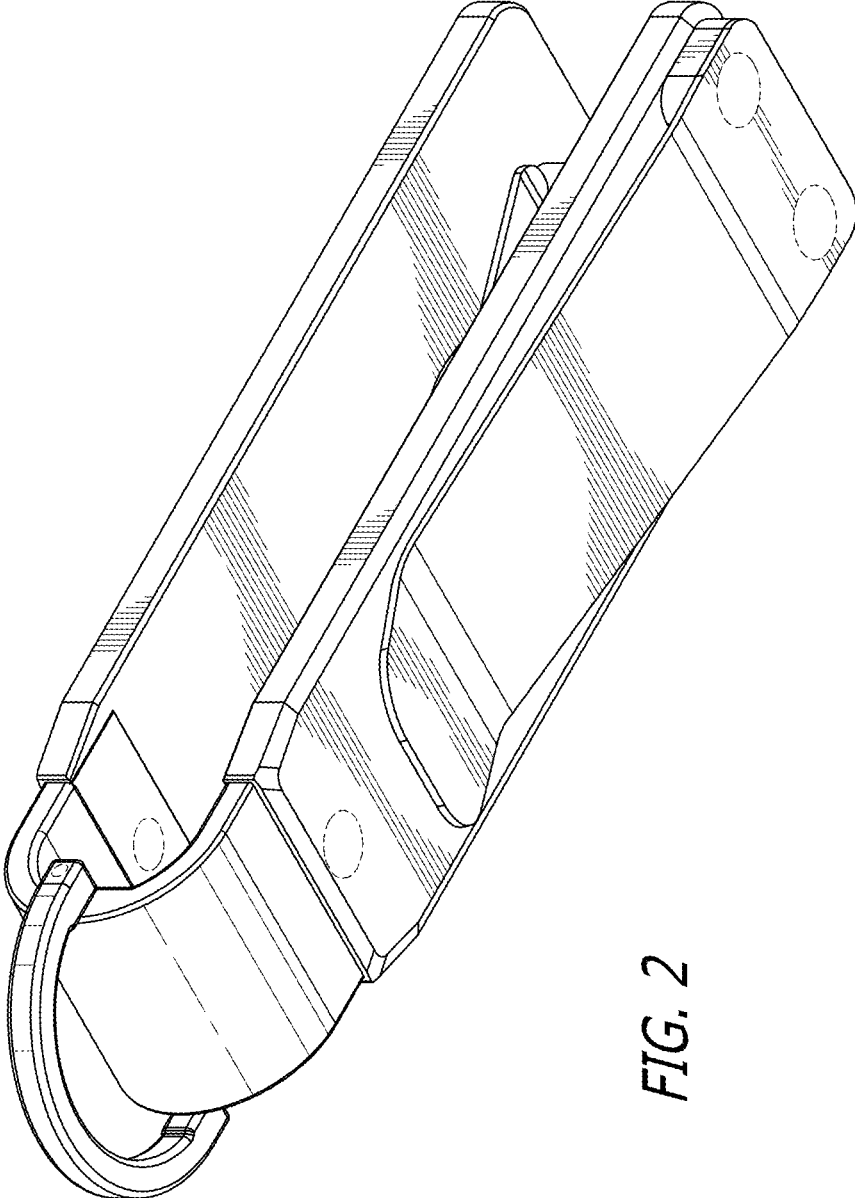
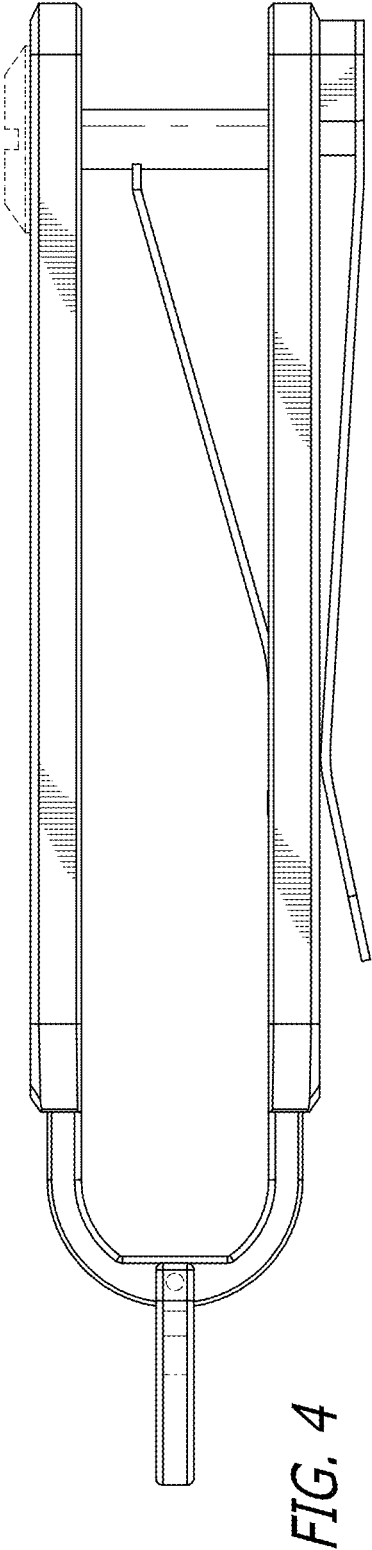
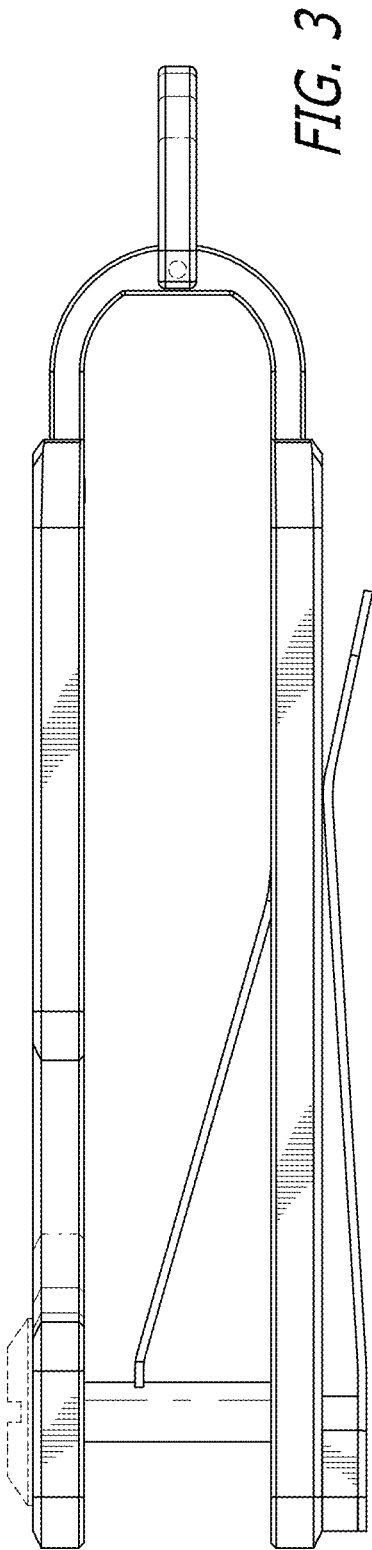


FIG. 2



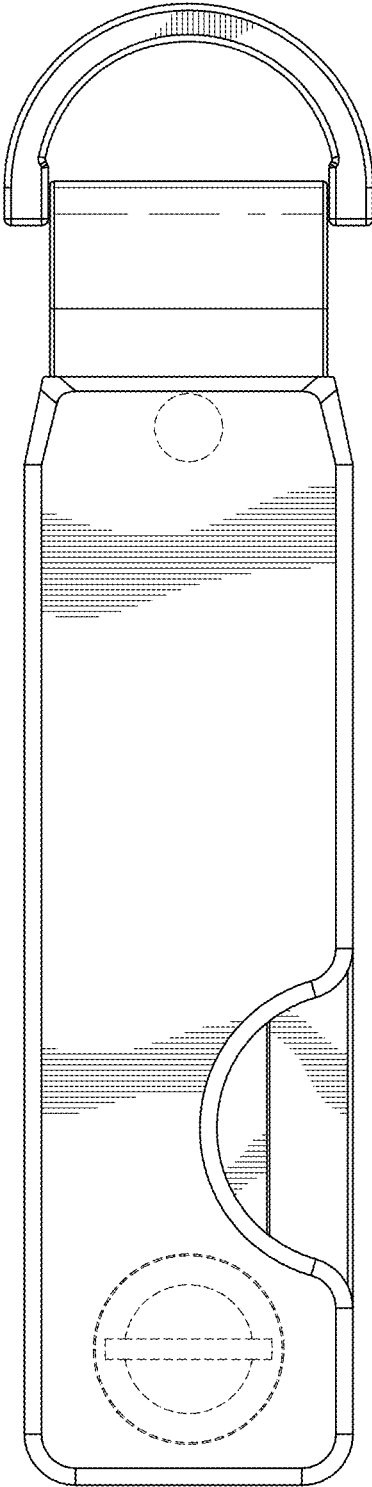


FIG. 5

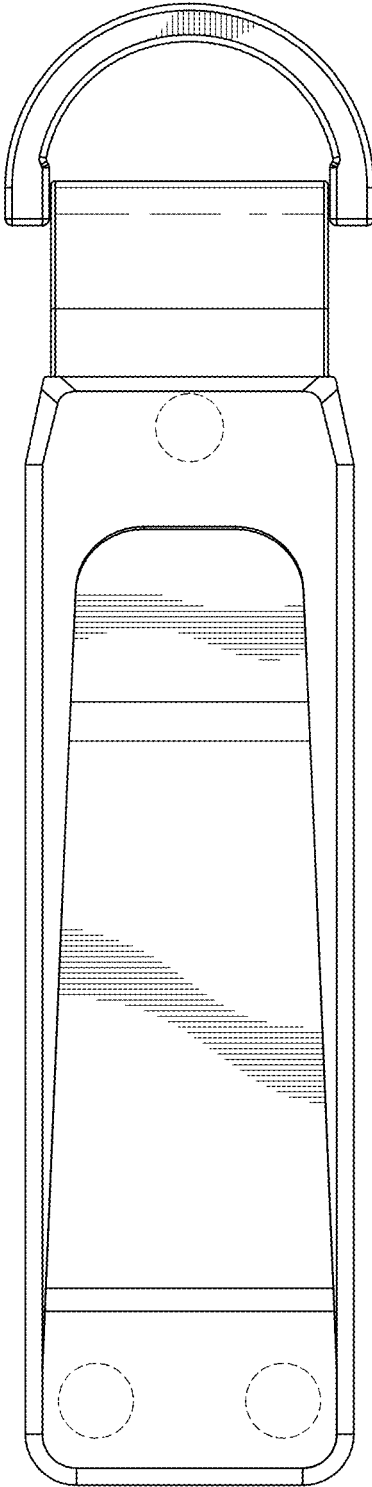


FIG. 6

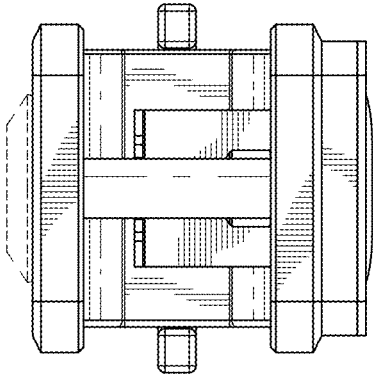


FIG. 7

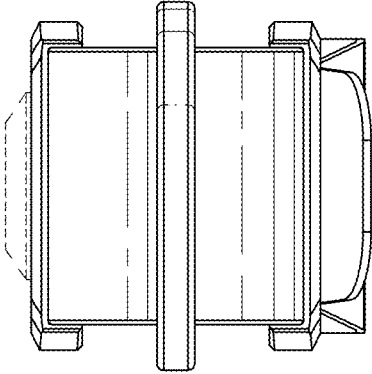


FIG. 8

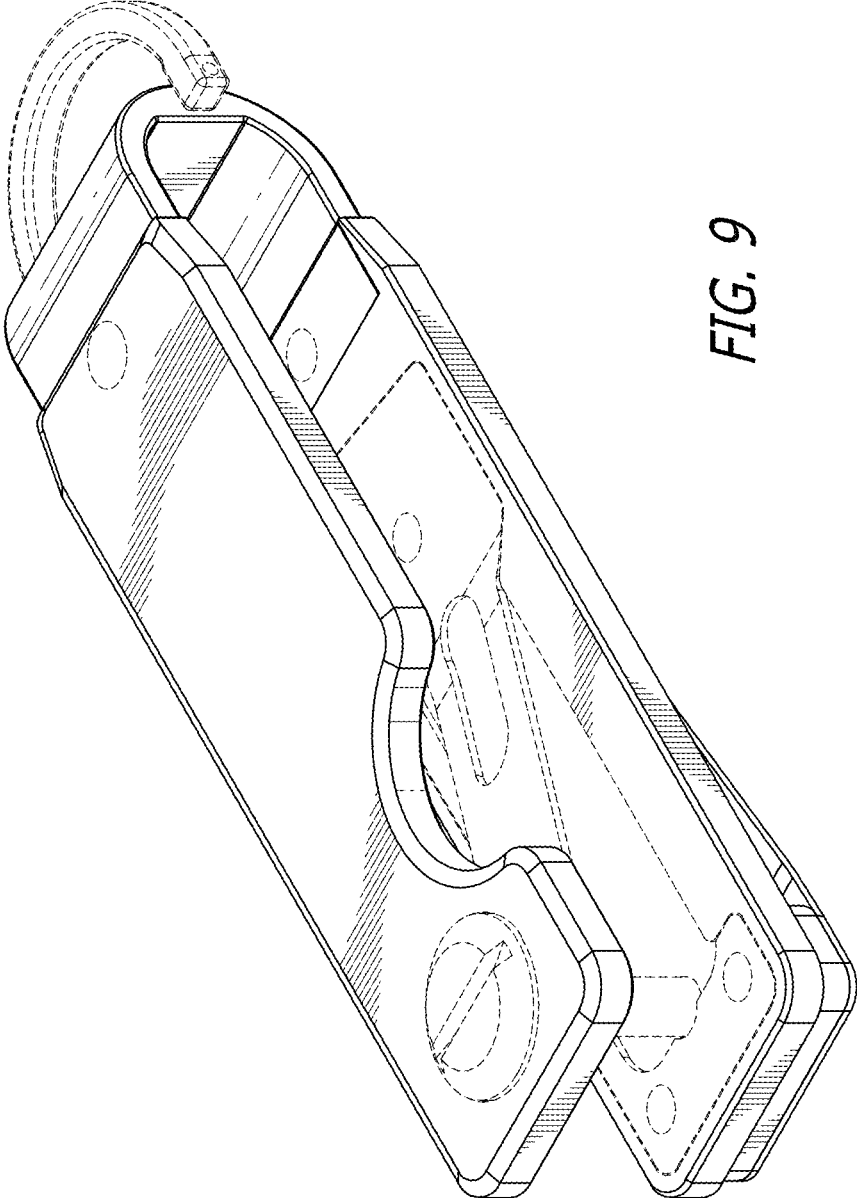


FIG. 9

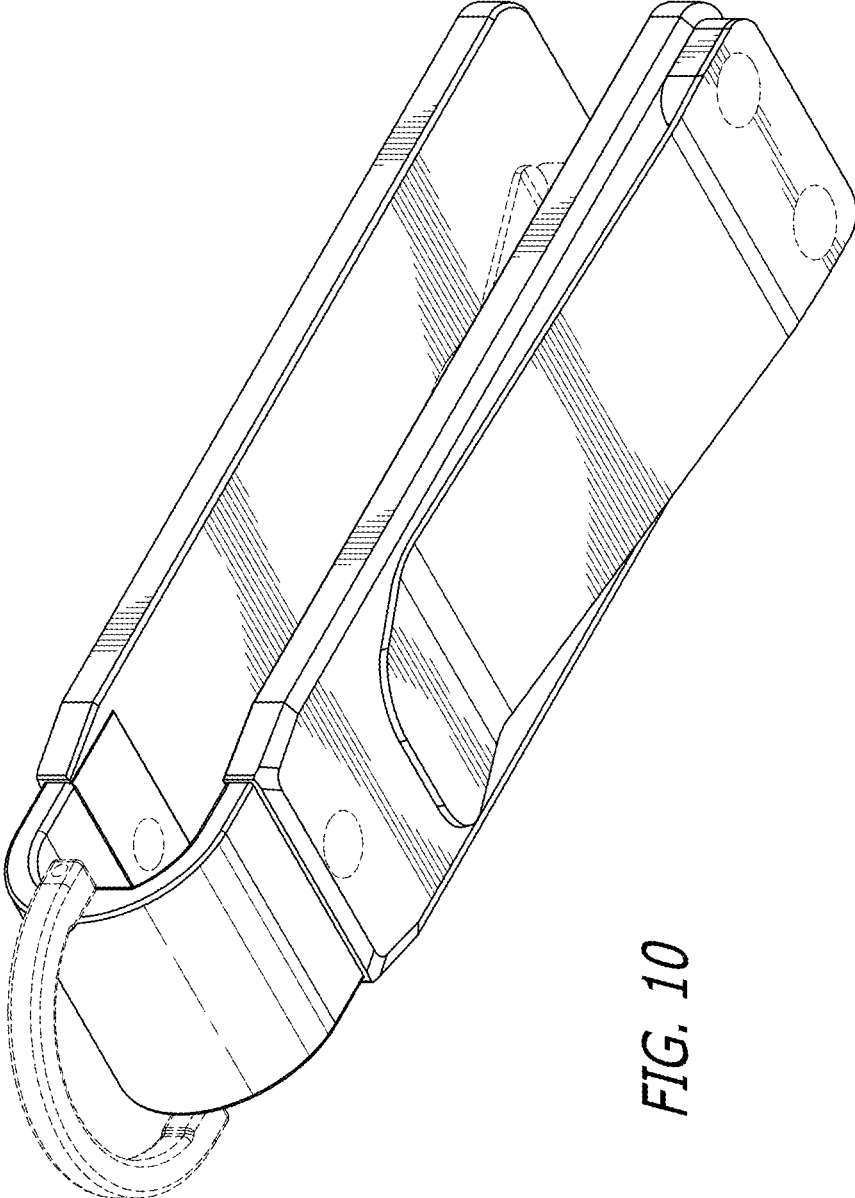


FIG. 10

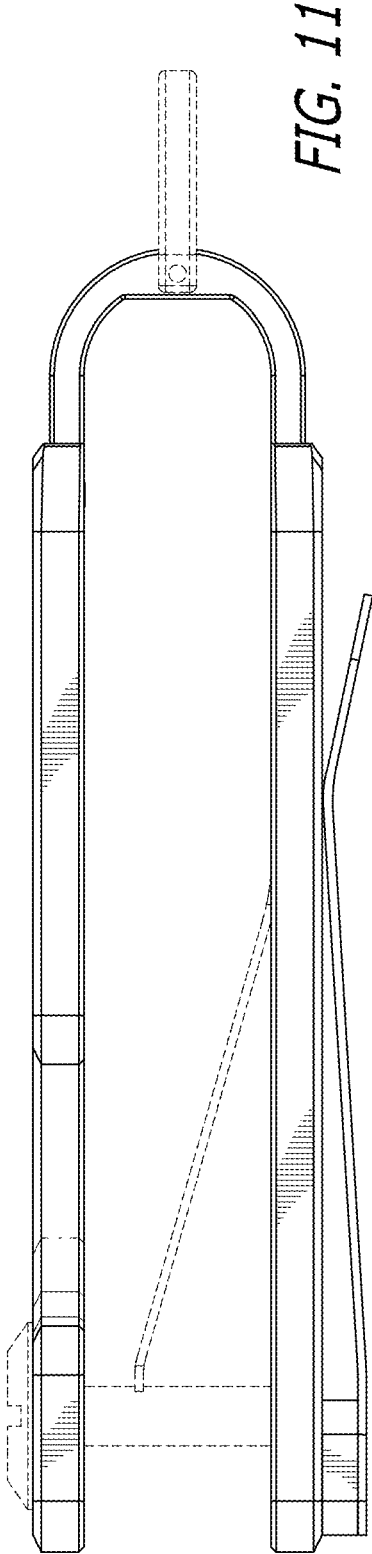


FIG. 11

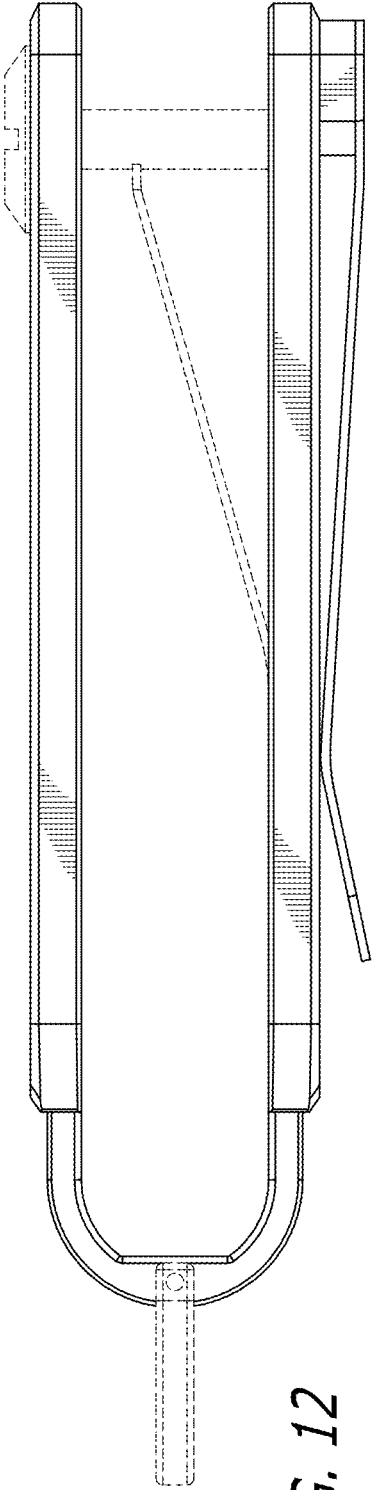


FIG. 12

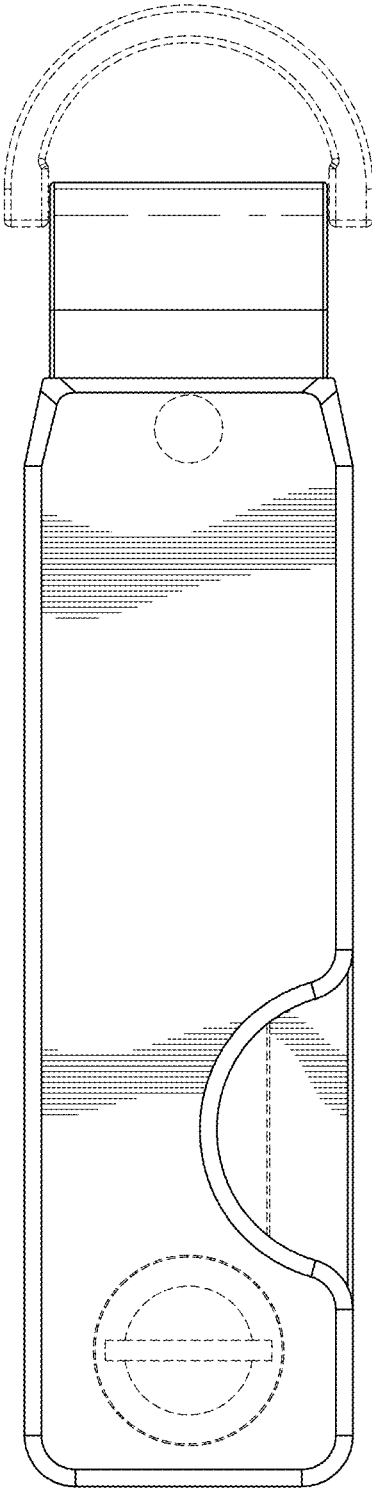


FIG. 13

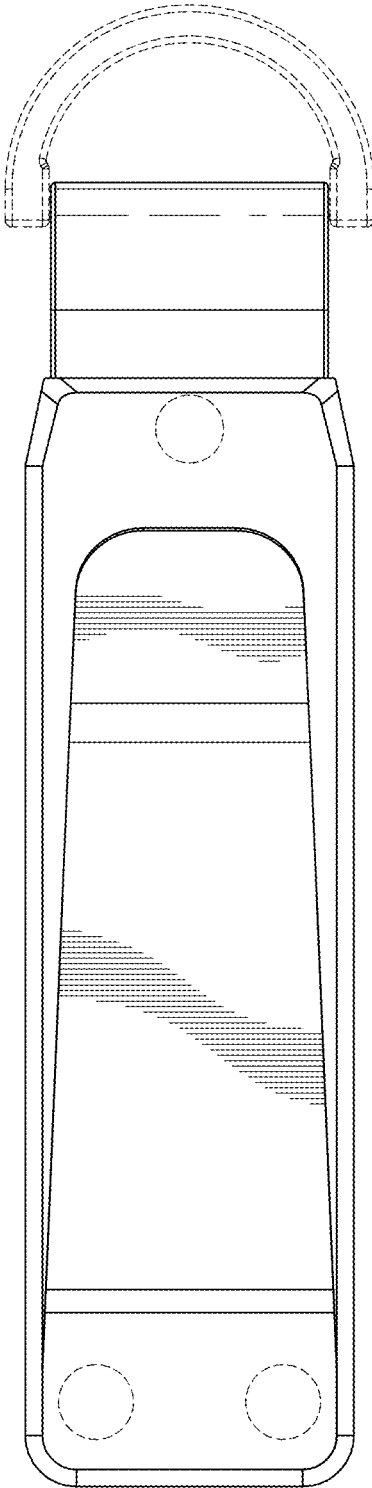


FIG. 14

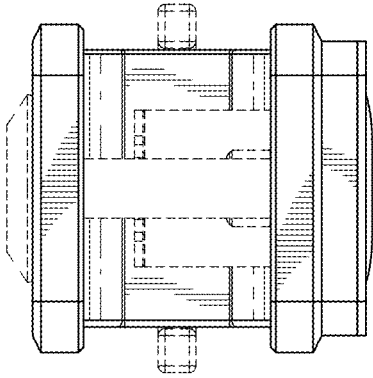


FIG. 15

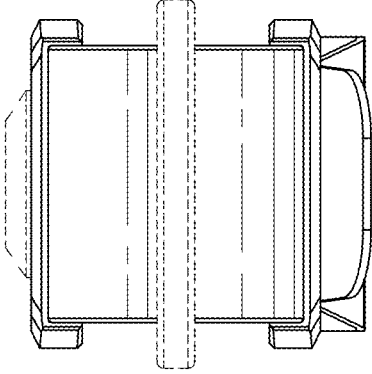


FIG. 16