



- (51) International Patent Classification:  
E21B 19/16 (2006.01)
- (21) International Application Number:  
PCT/NO2012/050164
- (22) International Filing Date:  
5 September 2012 (05.09.2012)
- (25) Filing Language: English
- (26) Publication Language: English
- (30) Priority Data:  
61/532,770 9 September 2011 (09.09.2011) US
- (71) Applicant (for all designated States except US): **NATIONAL OILWELL VARCO NORWAY AS** [NO/NO]; Serviceboks 401, N-4604 Kristiansand S (NO).
- (72) Inventors; and  
(75) Inventors/Applicants (for US only): **WEBB, Jonathan, Garrick** [GB/NO]; Andøysløyfen 41, N-4623 Kristiansand S (NO). **MOEN, Trond, Werner** [NO/NO]; Kirsten Flagstadsvei 4, N-4621 Kristiansand (NO). **HILL, David, Allen** [US/NO]; Lerkeveien 18B, N-4622 Kristiansand (NO).
- (74) Agent: **HÅMSØ PATENTBYRÅ ANS**; Postboks 171, N-4302 Sandnes (NO).
- (81) Designated States (unless otherwise indicated, for every kind of national protection available): AE, AG, AL, AM,

AO, AT, AU, AZ, BA, BB, BG, BH, BN, BR, BW, BY, BZ, CA, CH, CL, CN, CO, CR, CU, CZ, DE, DK, DM, DO, DZ, EC, EE, EG, ES, FI, GB, GD, GE, GH, GM, GT, HN, HR, HU, ID, IL, IN, IS, JP, KE, KG, KM, KN, KP, KR, KZ, LA, LC, LK, LR, LS, LT, LU, LY, MA, MD, ME, MG, MK, MN, MW, MX, MY, MZ, NA, NG, NI, NO, NZ, OM, PE, PG, PH, PL, PT, QA, RO, RS, RU, RW, SC, SD, SE, SG, SK, SL, SM, ST, SV, SY, TH, TJ, TM, TN, TR, TT, TZ, UA, UG, US, UZ, VC, VN, ZA, ZM, ZW.

- (84) Designated States (unless otherwise indicated, for every kind of regional protection available): ARIPO (BW, GH, GM, KE, LR, LS, MW, MZ, NA, RW, SD, SL, SZ, TZ, UG, ZM, ZW), Eurasian (AM, AZ, BY, KG, KZ, RU, TJ, TM), European (AL, AT, BE, BG, CH, CY, CZ, DE, DK, EE, ES, FI, FR, GB, GR, HR, HU, IE, IS, IT, LT, LU, LV, MC, MK, MT, NL, NO, PL, PT, RO, RS, SE, SI, SK, SM, TR), OAPI (BF, BJ, CF, CG, CI, CM, GA, GN, GQ, GW, ML, MR, NE, SN, TD, TG).

**Published:**

- with international search report (Art. 21(3))
- before the expiration of the time limit for amending the claims and to be republished in the event of receipt of amendments (Rule 48.2(h))

[Continued on next page]

- (54) Title: GUIDE SYSTEM AND METHOD FOR OPERATION OF SAME

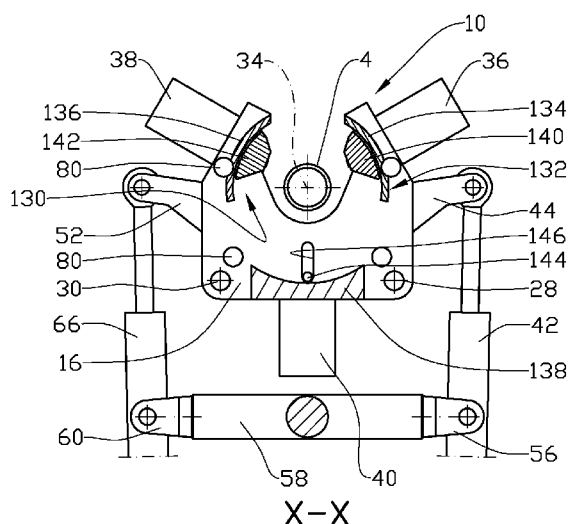


Fig. 13

(57) Abstract: Guide system (130) and method of operation of same for a torque device (1) for guiding a first torque device member (10) relative to a second torque device member (68), each of the torque device members (10, 68) having an operational axis (34) of rotation and three clamp bodies (22, 24, 26) spaced about the operational axis (34), wherein the clamp bodies (22, 24, 26) are movable between a retracted passive position and an extended active position, wherein one of the torque device members (10, 68) has a guide ring (132) and the other of the torque device members (10, 68) has at least two guide elements (140, 142, 144), each guide element (140, 142, 144) being movable with one of the clamp bodies (22, 24, 26) of the respective torque device member (10, 68), wherein when the clamp bodies (22, 24, 26) of the respective torque device member (10, 68) are in their retracted positions, the guide elements (140, 142, 144) abut or are proximal to the guide ring (132) and wherein when the clamp bodies (22, 24, 26) of the respective torque device member (10, 68) are in their extended positions, the guide elements (140, 142, 144) are distal the guide ring (132).

WO 2013/036138 A3

**(88)** Date of publication of the international search report:  
19 September 2013

# INTERNATIONAL SEARCH REPORT

International application No PCT/N02012/050164
---

<b>A. CLASSIFICATION OF SUBJECT MATTER</b> INV. E21B19/16 ADD.		
According to International Patent Classification (IPC) or to both national classification and IPC		
<b>B. FIELDS SEARCHED</b> Minimum documentation searched (classification system followed by classification symbols) E21B		
Documentation searched other than minimum documentation to the extent that such documents are included in the fields searched		
Electronic data base consulted during the international search (name of data base and, where practicable, search terms used) EPO-Internal, WPI Data		
<b>C. DOCUMENTS CONSIDERED TO BE RELEVANT</b>		
Category*	Citation of document, with indication, where appropriate, of the relevant passages	Relevant to claim No.
X	WO 2009/031166 A1 (SGOLASTRA & GIAMPAOLI S R L [IT]; SGOLASTRA MAURIZIO [IT]) 12 March 2009 (2009-03-12) page 4, line 32 - page 5, lines 1, 13-15; figures 5-8 -----	1-18
A	US 7 188 547 B1 (WEST NEIL EDWARD [US] ET AL) 13 March 2007 (2007-03-13) the whole document -----	1-18
A	WO 2008/022424 A1 (CANRIG DRILLING TECH LTD [US]; HUNTER DOUGLAS A [CA]; MARTIN H THIEME) 28 February 2008 (2008-02-28) the whole document -----	1-18
<input type="checkbox"/> Further documents are listed in the continuation of Box C. <span style="margin-left: 100px;"><input checked="" type="checkbox"/> See patent family annex.</span>		
* Special categories of cited documents :		
"A" document defining the general state of the art which is not considered to be of particular relevance "E" earlier application or patent but published on or after the international filing date "L" document which may throw doubts on priority claim(s) or which is cited to establish the publication date of another citation or other special reason (as specified) "O" document referring to an oral disclosure, use, exhibition or other means "P" document published prior to the international filing date but later than the priority date claimed	"T" later document published after the international filing date or priority date and not in conflict with the application but cited to understand the principle or theory underlying the invention "X" document of particular relevance; the claimed invention cannot be considered novel or cannot be considered to involve an inventive step when the document is taken alone "Y" document of particular relevance; the claimed invention cannot be considered to involve an inventive step when the document is combined with one or more other such documents, such combination being obvious to a person skilled in the art "&" document member of the same patent family	
Date of the actual completion of the international search	Date of mailing of the international search report	
11 July 2013	23/07/2013	
Name and mailing address of the ISA/ European Patent Office, P.B. 5818 Patentlaan 2 NL - 2280 HV Rijswijk Tel. (+31-70) 340-2040, Fax: (+31-70) 340-3016	Authorized officer  Georgescu, Mihnea	

# INTERNATIONAL SEARCH REPORT

Information on patent family members

International application No PCT/N02012/050164
---

Patent document cited in search report	Publication date	Publication date	Patent family member(s)	Publication date
WO 2009031166	A1	12-03-2009	NONE	
US 7188547	B1	13-03-2007	CA 2631665 A1	28-06-2007
			CA 2718014 A1	28-06-2007
			EP 1963611 A1	03-09-2008
			EP 2314827 A2	27-04-2011
			US 7188547 B1	13-03-2007
			US 2007193417 A1	23-08-2007
			WO 2007072071 A1	28-06-2007
WO 2008022424	A1	28-02-2008	US 2009211405 A1	27-08-2009
			WO 2008022424 A1	28-02-2008