



US00D714760S

(12) **United States Design Patent**
Kim et al.

(10) **Patent No.:** **US D714,760 S**

(45) **Date of Patent:** **** Oct. 7, 2014**

(54) **SPEAKER FOR HOME THEATER**

(75) Inventors: **Kyungmin Kim**, Seoul (KR); **Yongsoo Kim**, Seoul (KR); **Sooyoung Park**, Seoul (KR); **Hongyoul Choi**, Seoul (KR); **Gangho Woo**, Seoul (KR); **Taeho Kim**, Seoul (KR)

(73) Assignee: **LG Electronics Inc.**, Seoul (KR)

(**) Term: **14 Years**

(21) Appl. No.: **29/408,822**

(22) Filed: **Dec. 16, 2011**

(30) **Foreign Application Priority Data**

Jun. 29, 2011 (KR) 30-2011-0026939

(51) **LOC (10) Cl.** **14-03**

(52) **U.S. Cl.**
USPC **D14/215**

(58) **Field of Classification Search**
USPC D14/167, 168, 170–172, 188, 194–196, D14/204, 207, 209.1, 210–216, 221, 222; 181/143, 144, 147, 148, 150, 153, 157, 181/198, 199; 381/300–303, 306, 332, 333, 381/336, 345, 361–364, 386–388; D13/107, 108; 455/344–351; 369/6–12
See application file for complete search history.

(56) **References Cited**

U.S. PATENT DOCUMENTS

D542,777 S * 5/2007 Sato D14/215

D624,048 S *	9/2010	Kim	D14/215
D628,553 S *	12/2010	Cho	D14/168
D645,453 S *	9/2011	Kim et al.	D14/215
D664,119 S *	7/2012	Won et al.	D14/215
D664,122 S *	7/2012	Cho et al.	D14/215
D671,527 S *	11/2012	Lee et al.	D14/215
D675,598 S *	2/2013	Paddock	D14/215

* cited by examiner

Primary Examiner — Keli L Hill

(74) *Attorney, Agent, or Firm* — Morgan, Lewis & Bockius LLP

(57) **CLAIM**

The ornamental design for a speaker for home theater, as shown and described.

DESCRIPTION

FIG. 1 is a front, left side, perspective view of a speaker for home theater showing our new design;
FIG. 2 is a front view thereof;
FIG. 3 is a rear view thereof;
FIG. 4 is a left side view thereof;
FIG. 5 is a right side view thereof;
FIG. 6 is a top view thereof;
FIG. 7 is a bottom view thereof; and,
FIG. 8 is a reference view thereof, showing the speaker in an environment of use equipped on a wall.
The broken lines in FIGS. 3 and 8 are included for the purpose of illustrating portions of the speaker and environment of the speaker and forms no part of the claimed design.

1 Claim, 7 Drawing Sheets

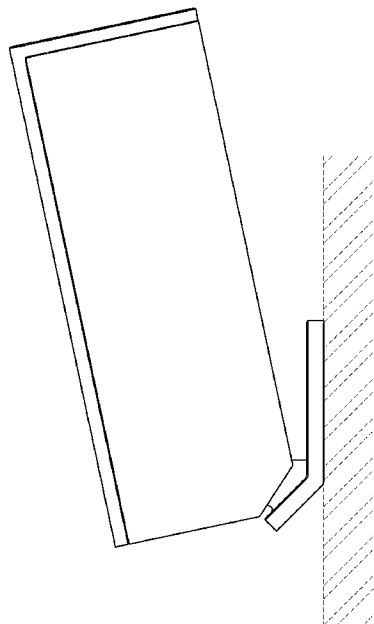
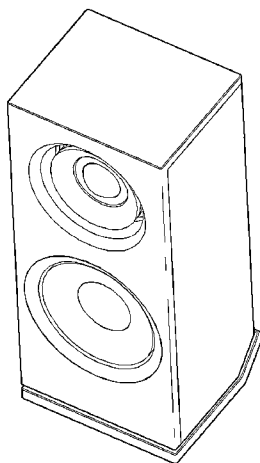


FIG. 1

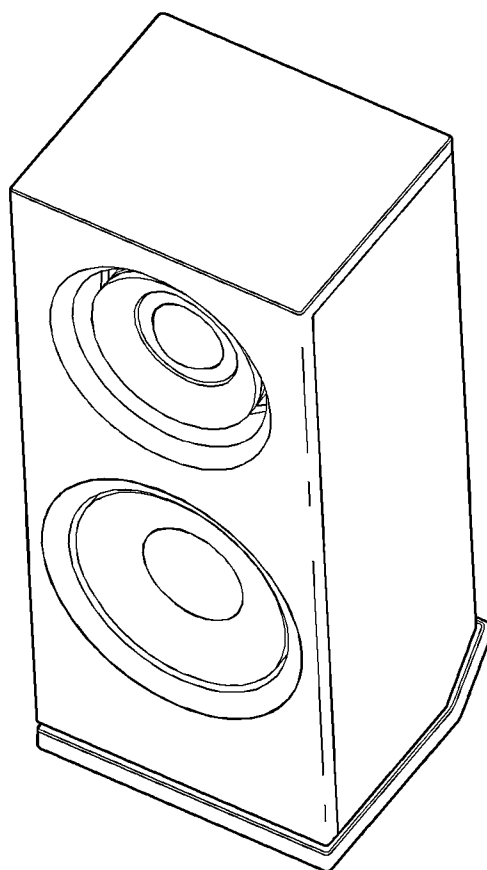


FIG. 2

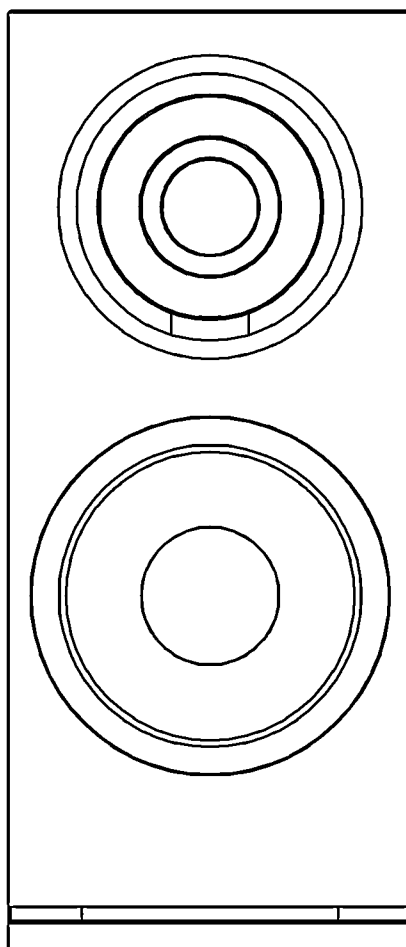


FIG. 3

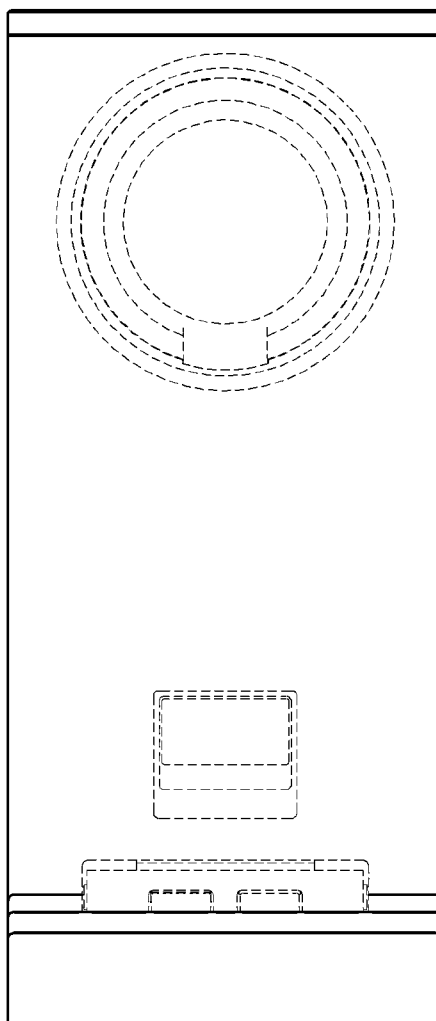


FIG. 4

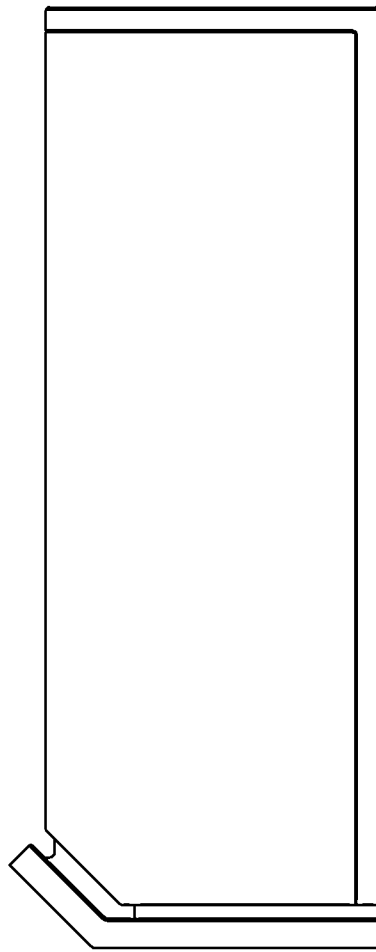


FIG. 5

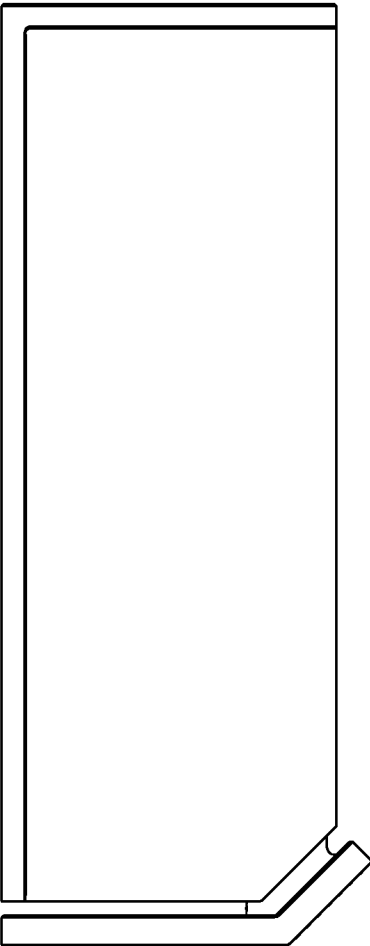


FIG. 6

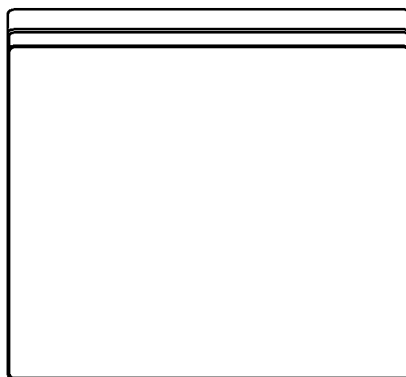


FIG. 7

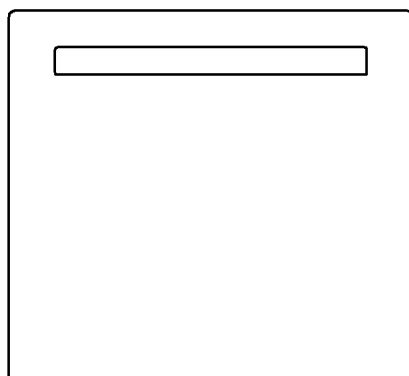


FIG. 8

