



US00D548255S

(12) **United States Design Patent**
Naito

(10) **Patent No.:** **US D548,255 S**

(45) **Date of Patent:** **** Aug. 7, 2007**

(54) **DIGITAL CAMERA**

(75) Inventor: **Yoshitaka Naito, Ome (JP)**

(73) Assignee: **Olympus Imaging Corp., Tokyo (JP)**

(**) Term: **14 Years**

(21) Appl. No.: **29/245,619**

(22) Filed: **Dec. 27, 2005**

(51) **LOC (8) CL.** **16-01**

(52) **U.S. CL.** **D16/202**

(58) **Field of Classification Search** D16/200-205,
D16/208, 209, 218; 348/373-376; 358/909.1;
396/535-541

See application file for complete search history.

(56) **References Cited**

U.S. PATENT DOCUMENTS

D496,678 S *	9/2004	Kawase	D16/218
6,788,894 B2 *	9/2004	Suzuki et al.	348/373
D508,711 S *	8/2005	Suzuki	D16/218
D524,838 S *	7/2006	Watanabe	D16/202

D528,578 S * 9/2006 Yasutomi D16/202

* cited by examiner

Primary Examiner—Adir Aronovich

(74) *Attorney, Agent, or Firm*—Hogan & Hartson LLP

(57) **CLAIM**

The ornamental design for a digital camera, as shown and described.

DESCRIPTION

FIG. 1 is a front, top and right side perspective view of a digital camera, showing my new design;

FIG. 2 is a rear, top and left side perspective view thereof;

FIG. 3 is a top plan view thereof;

FIG. 4 is a front elevational view thereof;

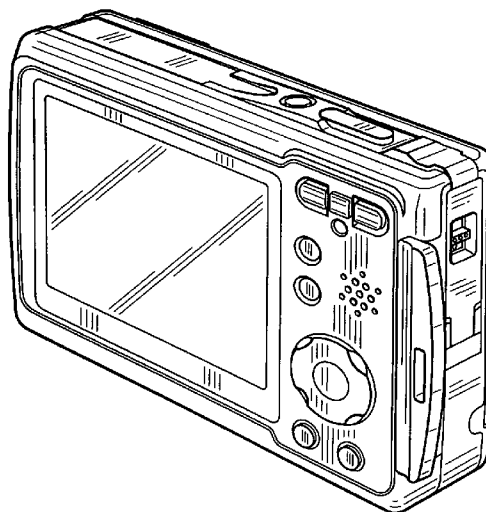
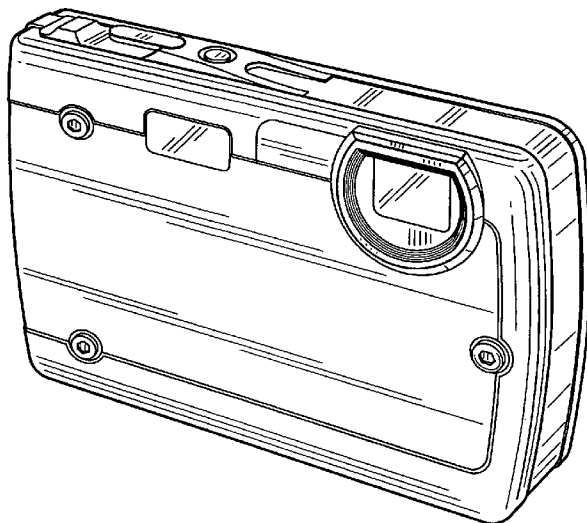
FIG. 5 is a bottom plan view thereof;

FIG. 6 is a rear elevational view thereof;

FIG. 7 is a left side elevational view thereof; and,

FIG. 8 is a right side elevational view thereof.

1 Claim, 4 Drawing Sheets



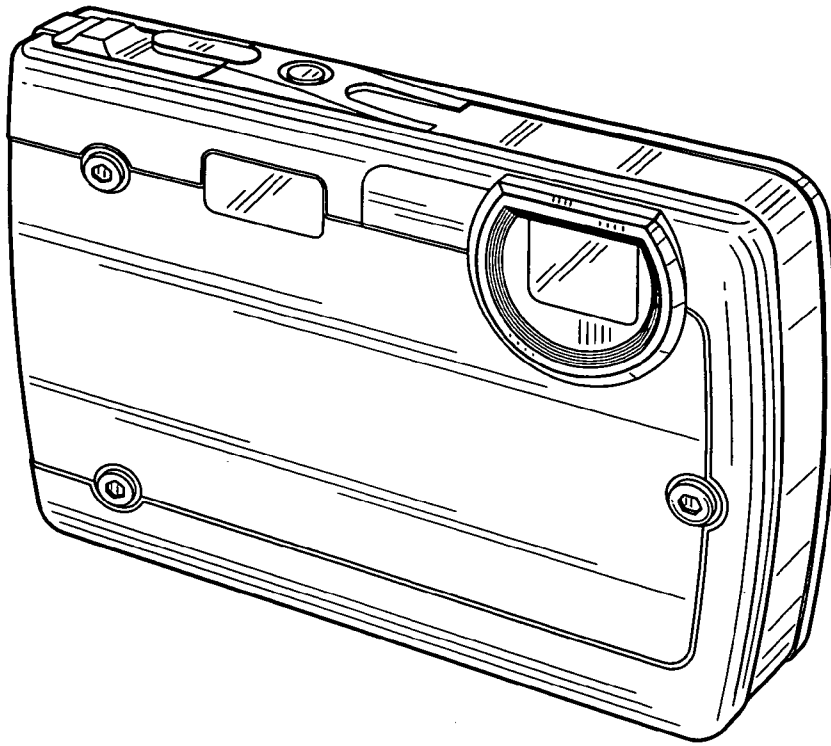


FIG. 1

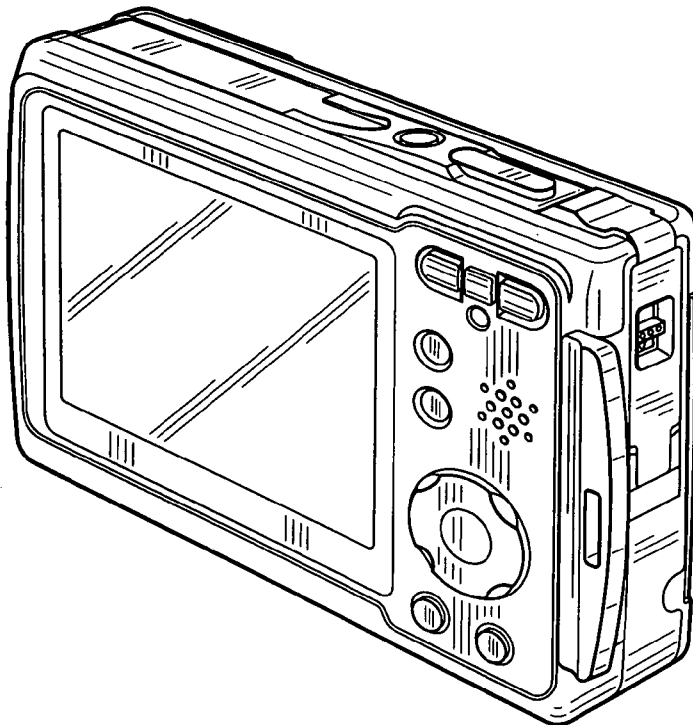


FIG. 2

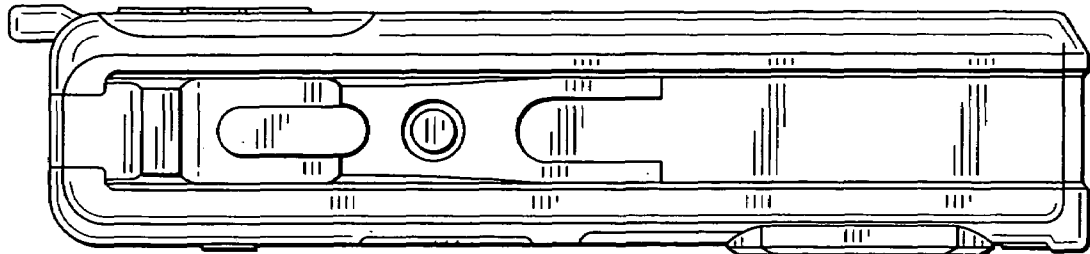


FIG. 3

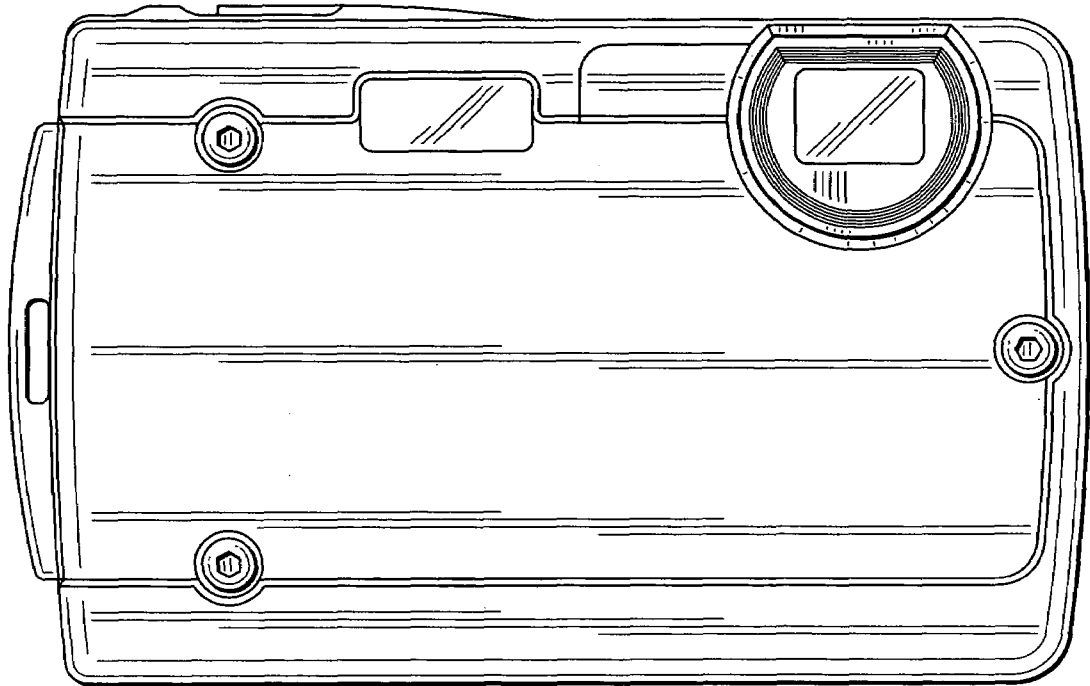


FIG. 4

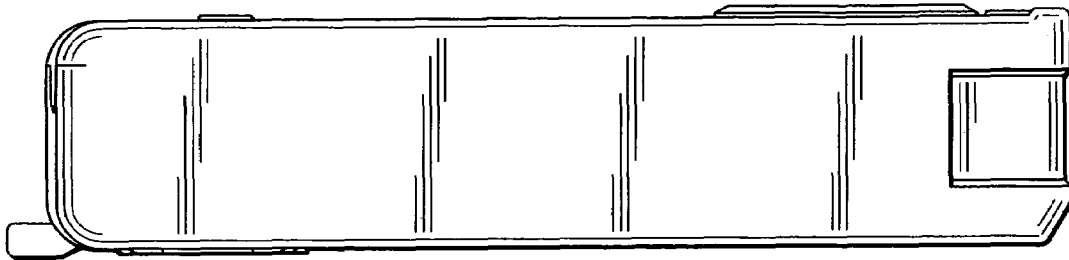


FIG. 5

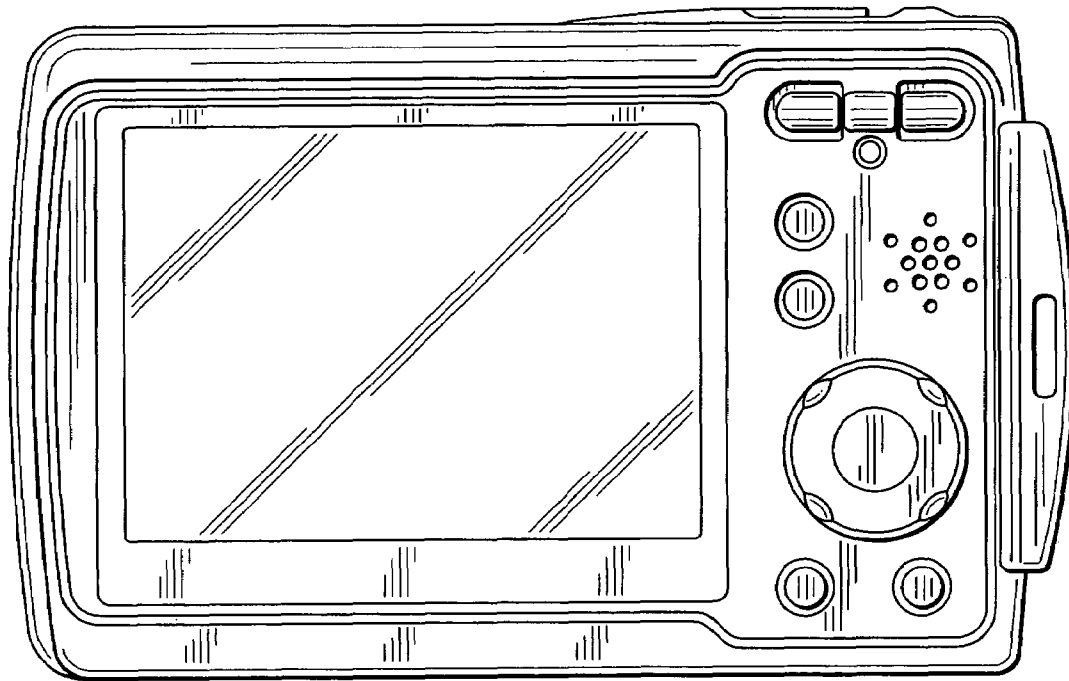


FIG. 6

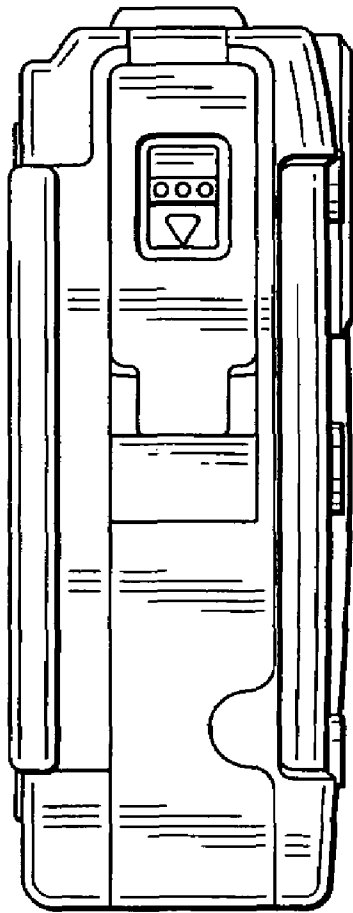


FIG. 7

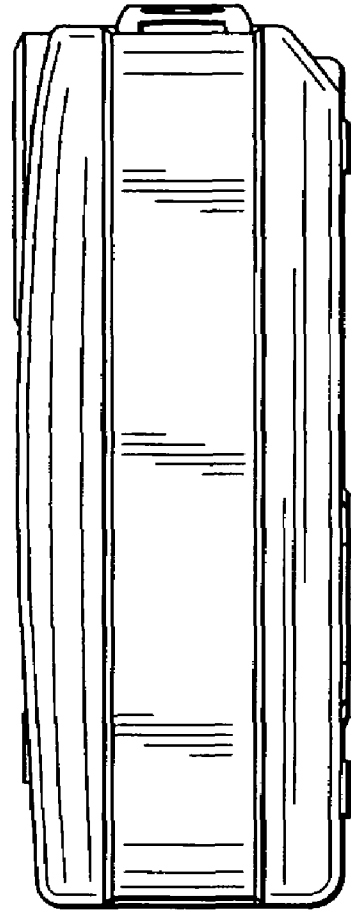


FIG. 8