



US00D737405S

(12) **United States Design Patent**
Sakata et al.

(10) **Patent No.:** **US D737,405 S**

(45) **Date of Patent:** **** Aug. 25, 2015**

(54) **FLOW ADJUSTING VALVE**

(56) **References Cited**

(71) Applicant: **SURPASS INDUSTRY CO., LTD.**,
Saitama (JP)

U.S. PATENT DOCUMENTS

(72) Inventors: **Shouichi Sakata**, Saitama (JP);
Masahiro Hasunuma, Saitama (JP)

5,522,430	A *	6/1996	Mittersteiner Urzua .	137/625.47
D428,114	S *	7/2000	Le Bars	D23/233
D605,255	S *	12/2009	Lai	D23/233
D635,644	S *	4/2011	Yamada	D23/233
D639,392	S *	6/2011	Yamada	D23/233
D667,930	S *	9/2012	Yamada	D23/235
D699,815	S *	2/2014	Petersen	D23/233
D700,285	S *	2/2014	Yang	D23/233
2011/0233437	A1 *	9/2011	Mattson et al.	251/309
2011/0240298	A1 *	10/2011	Rota et al.	166/320

(73) Assignee: **SURPASS INDUSTRY CO., LTD.**,
Gyoda-Shi, Saitama (JP)

(**) Term: **14 Years**

* cited by examiner

(21) Appl. No.: **29/469,230**

Primary Examiner — Cynthia Ramirez

Assistant Examiner — Gino Colan

(22) Filed: **Oct. 8, 2013**

(74) *Attorney, Agent, or Firm* — Lucas & Mercanti LLP

(30) **Foreign Application Priority Data**

Apr. 10, 2013	(JP)	2013-008024
Apr. 10, 2013	(JP)	2013-008025

(57) **CLAIM**

The ornamental design for a flow adjusting valve, as shown and described.

(51) **LOC (10) Cl.** **23-01**

DESCRIPTION

(52) **U.S. Cl.**
USPC **D23/233**

FIG. 1 is a front view of the flow adjusting valve.
 FIG. 2 is a rear view of the flow adjusting valve.
 FIG. 3 is a left side view of the flow adjusting valve.
 FIG. 4 is a right side view of the flow adjusting valve.
 FIG. 5 is a top view of the flow adjusting valve; and,
 FIG. 6 is a bottom view of the flow adjusting valve.
 Features indicated in broken lines in the drawings depict environmental structure, which forms no part of the claimed design.

(58) **Field of Classification Search**
 USPC D23/233–250; 137/398, 545, 547, 549,
 137/62; 251/129.01, 129.1, 129.16–129.18,
 251/205, 208, 215, 309–312; 123/41.08
 CPC ... F16K 11/0716; F16K 31/0613; F16K 3/24;
 F16K 11/027

See application file for complete search history.

1 Claim, 5 Drawing Sheets

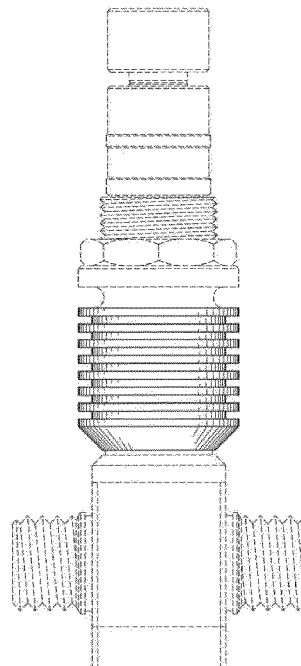


FIG. 1

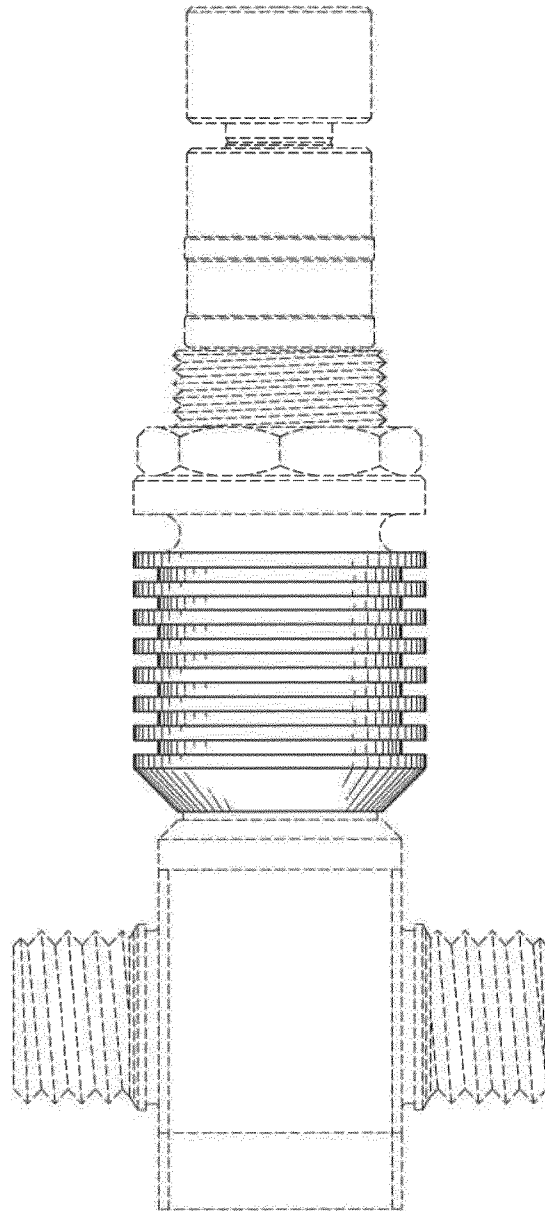


FIG. 2

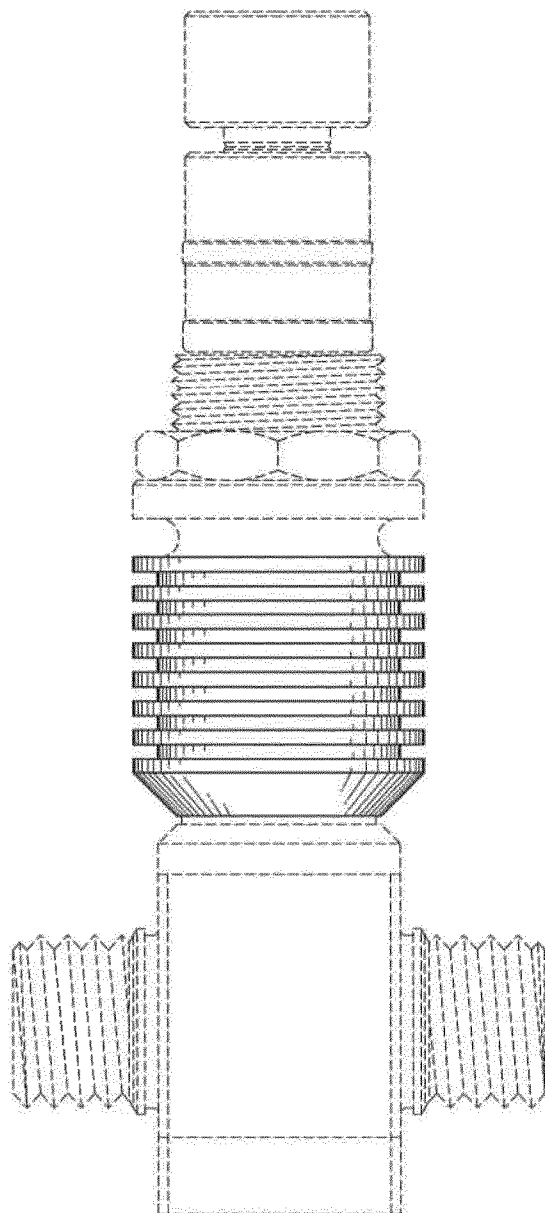


FIG. 3

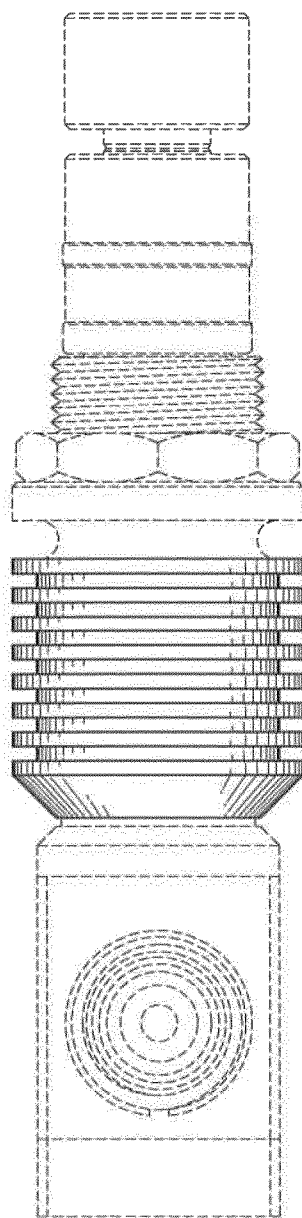


FIG. 4

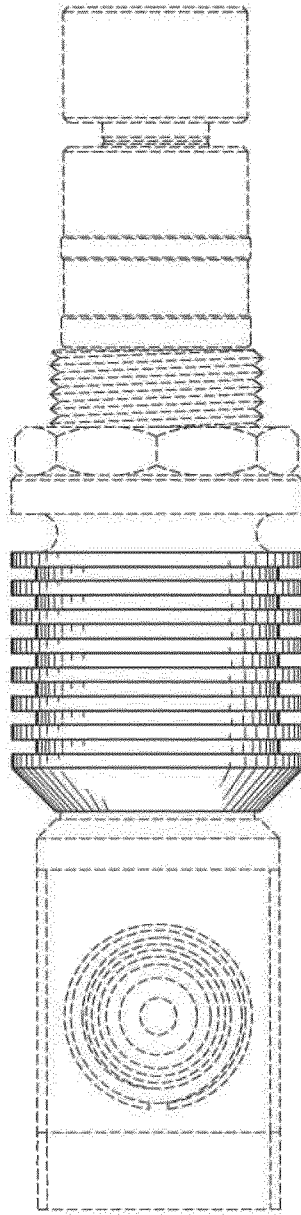


FIG. 5

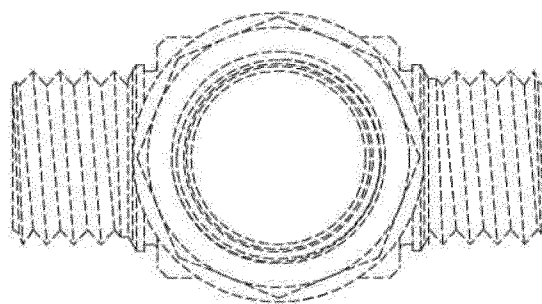


FIG. 6

