



US00D723445S

(12) **United States Design Patent**
Hodges

(10) **Patent No.:** **US D723,445 S**

(45) **Date of Patent:** **** Mar. 3, 2015**

(54) **WHEEL**

(71) Applicant: **Frank J. Hodges**, Corona, CA (US)

(72) Inventor: **Frank J. Hodges**, Corona, CA (US)

(**) Term: **14 Years**

(21) Appl. No.: **29/486,506**

(22) Filed: **Mar. 31, 2014**

(51) **LOC (10) Cl.** **12-16**

(52) **U.S. Cl.**

USPC **D12/209**

(58) **Field of Classification Search**

CPC B60B 7/00; B60B 7/02; B60B 7/04;
B60B 7/01; B60B 7/06; B60B 3/02; B60B
3/04; B60B 3/06; B60B 3/10; B60B 1/00;
B60B 1/08; B60B 1/10; B60B 1/12

USPC D12/204-213

See application file for complete search history.

(56) **References Cited**

U.S. PATENT DOCUMENTS

D396,444 S * 7/1998 Neepser D12/209
D405,043 S * 2/1999 Moreno D12/209

D408,344 S * 4/1999 Kelley D12/209
D420,319 S * 2/2000 Ruslan D12/209
D435,500 S * 12/2000 Hussaini et al. D12/209
D455,991 S * 4/2002 Kaucher D12/209
D491,125 S * 6/2004 Rivers et al. D12/209
D491,126 S * 6/2004 Rivers et al. D12/209
D678,157 S * 3/2013 Perini D12/209
D685,709 S * 7/2013 Hanaoka D12/209
D695,669 S * 12/2013 Pollmann D12/209
D697,005 S * 1/2014 Juergens et al. D12/209
D709,427 S * 7/2014 Clottu D12/209

* cited by examiner

Primary Examiner — Stacia Cadmus

(74) *Attorney, Agent, or Firm* — Eric B. Alspaugh

(57) **CLAIM**

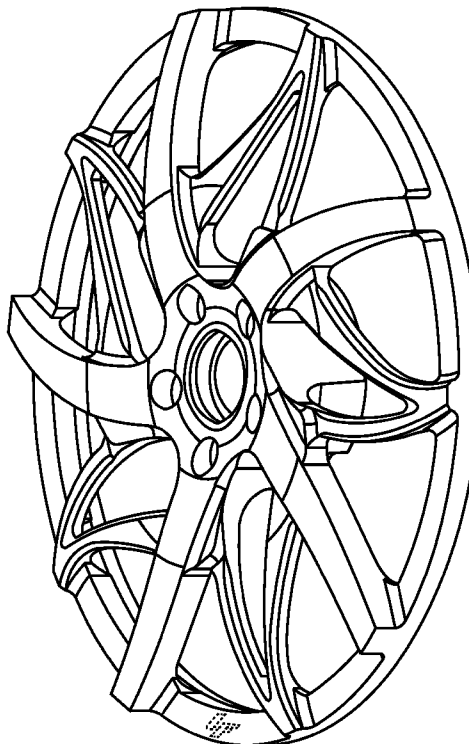
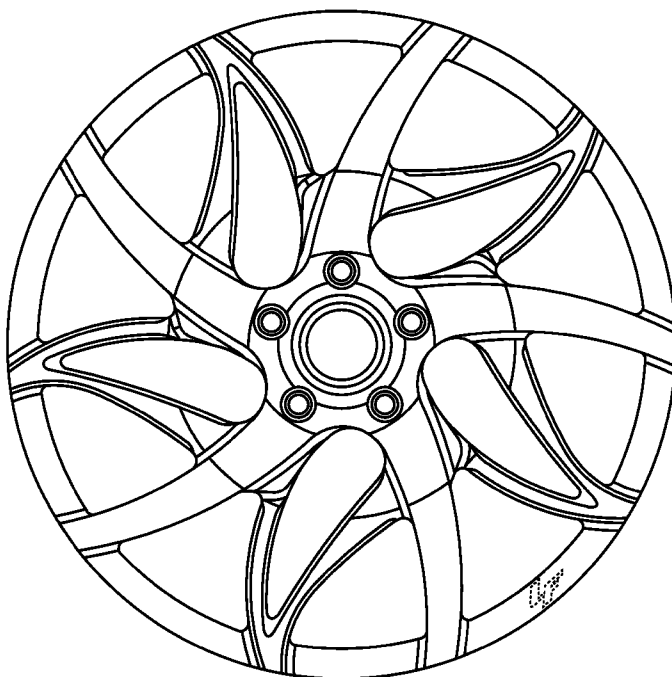
The ornamental design for a wheel, as shown and described.

DESCRIPTION

FIG. 1 is a front view of a wheel showing my new design; and, FIG. 2 is a perspective view thereof.

The broken lines shown in the drawings are for illustrative purposes only and form no part of the claimed design.

1 Claim, 2 Drawing Sheets



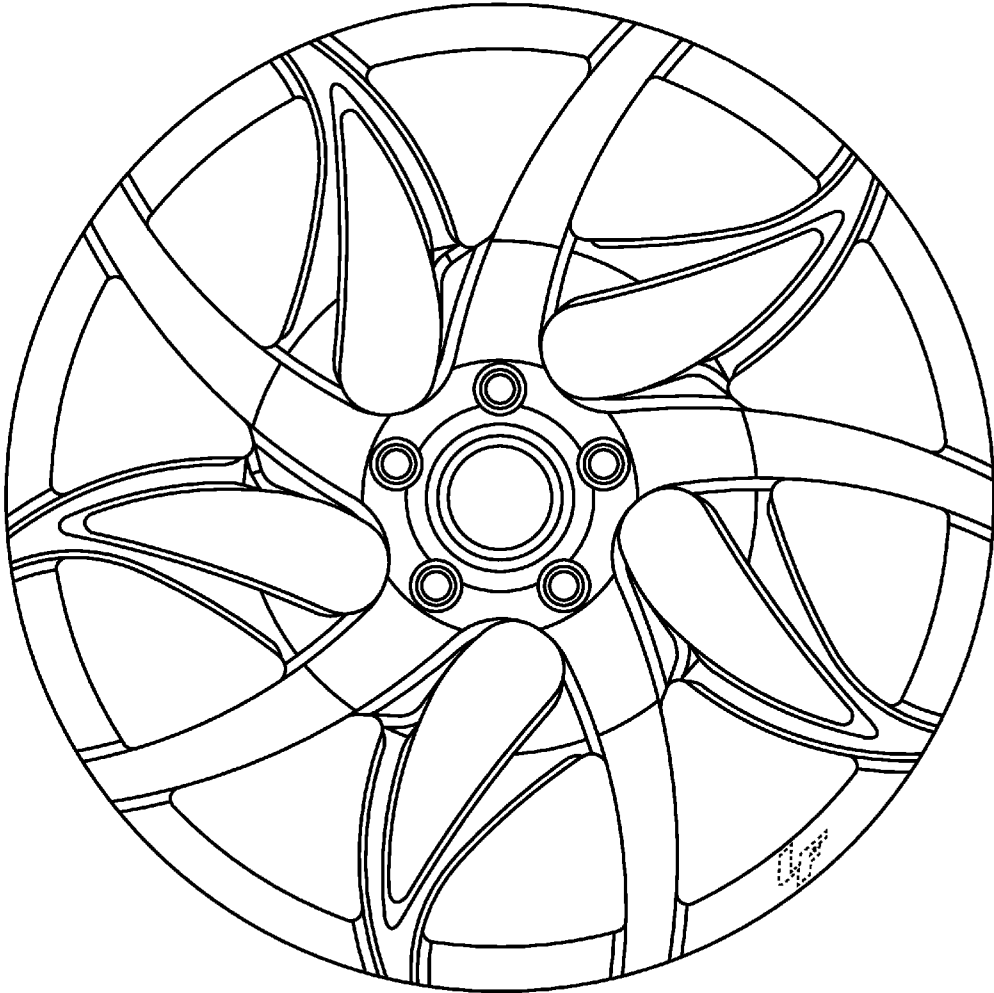


Fig. 1

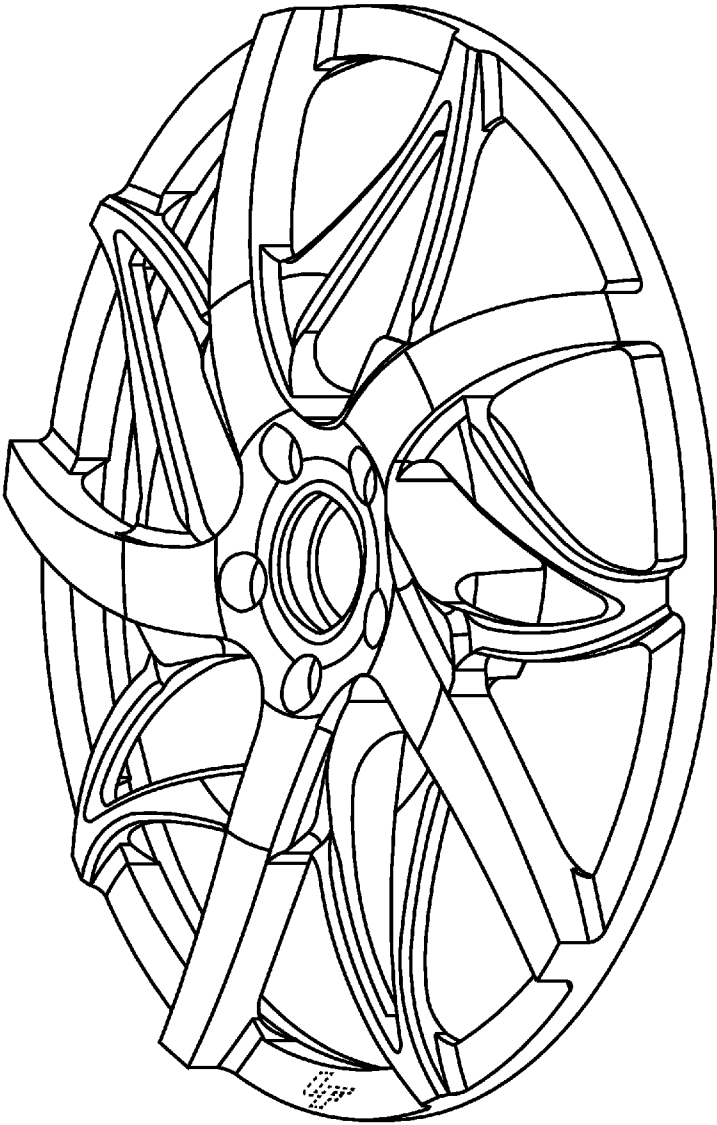


Fig. 2