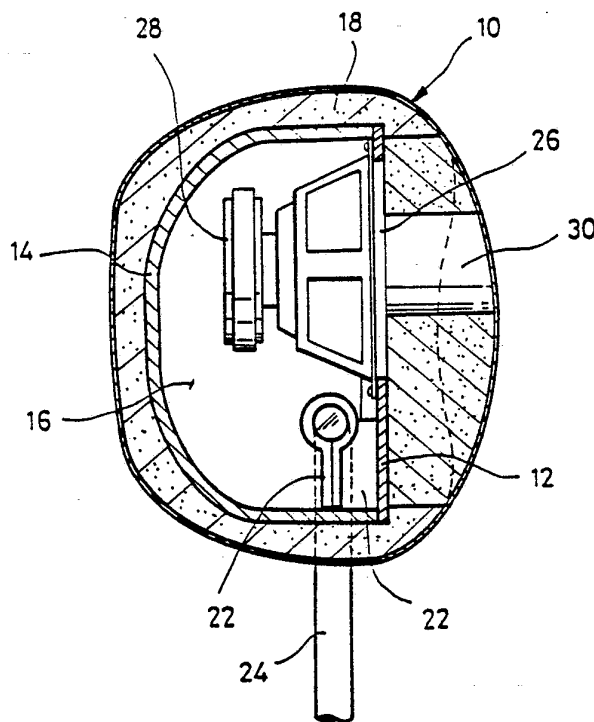




INTERNATIONAL APPLICATION PUBLISHED UNDER THE PATENT COOPERATION TREATY (PCT)

<p>(51) International Patent Classification 5 : B60N 2/48, A47C 7/72 B60R 11/02</p>	<p>A1</p>	<p>(11) International Publication Number: WO 93/01951 (43) International Publication Date: 4 February 1993 (04.02.93)</p>
<p>(21) International Application Number: PCT/KR92/00032 (22) International Filing Date: 18 July 1992 (18.07.92) (30) Priority data: 1991-11273 19 July 1991 (19.07.91) KR (71)(72) Applicant and Inventor: CHO, Chul, Soo [KR/KR]; 993-9 (24/3), Bangbae-dong, Sucho-ku, Seoul 137-060 (KR). (81) Designated States: JP, US, European patent (AT, BE, CH, DE, DK, ES, FR, GB, GR, IT, LU, MC, NL, SE).</p>		<p>Published <i>With international search report.</i></p>

(54) Title: HEADREST CONTAINING LOUDSPEAKERS FOR MOTORCAR



(57) Abstract

A headrest for motorcar comprises a frame (12), an enclosure (14) defining a space (16), and an outer pad (18) covering said frame (12) and said enclosure (14). Said frame (12) is formed with two circular holes (26 and 26') to attach the speaker units (28 and 28'), and said space (16) contains said speaker units (28 and 28').

FOR THE PURPOSES OF INFORMATION ONLY

Codes used to identify States party to the PCT on the front pages of pamphlets publishing international applications under the PCT.

AT	Austria	FI	Finland	MI	Mali
AU	Australia	FR	France	MN	Mongolia
BB	Barbados	GA	Gabon	MR	Mauritania
BE	Belgium	GB	United Kingdom	MW	Malawi
BF	Burkina Faso	GN	Guinea	NL	Netherlands
BG	Bulgaria	GR	Greece	NO	Norway
BJ	Benin	HU	Hungary	PL	Poland
BR	Brazil	IE	Ireland	RO	Romania
CA	Canada	IT	Italy	RU	Russian Federation
CF	Central African Republic	JP	Japan	SD	Sudan
CG	Congo	KP	Democratic People's Republic of Korea	SE	Sweden
CH	Switzerland	KR	Republic of Korea	SN	Senegal
CI	Côte d'Ivoire	LI	Liechtenstein	SU	Soviet Union
CM	Cameroon	LK	Sri Lanka	TD	Chad
CS	Czechoslovakia	LU	Luxembourg	TG	Togo
DE	Germany	MC	Monaco	US	United States of America
DK	Denmark	MG	Madagascar		
ES	Spain				

HEADREST CONTAINING LOUDSPEAKERS FOR MOTORCAR

FIELD OF THE INVENTION

The present invention relates to a headrest for motorcar, particularly to a headrest containing loudspeakers therein by which it is
5 made possible to provide a quiet and distinct sound for passenger.

DESCRIPTION OF THE PRIOR ART

In prior art, loudspeakers of an audio system for motorcar have placed in a right side and a left side of a front compartment and/or a rear compartment for a driver and passengers. Therefore the loud-
10 speakers is relatively remote from the occupants who listen the sound transmitted from them. The sound from loudspeakers which is mounted in the compartment so that they can listen the sound such as music a announcement. Heretofore, there is no system from which the sound can be transmitted to a specific individual. Moreover, in case of an
15 ownerdriver, it is desirable for him that the loudspeakers are mounted to a place adjacent to his ears in order to listen a quiet music as being transmitted from a headphone and drive the motorcar without missing a circumstantial judgment regarding to the driving.

Also, it is known that an audio system for motorcar is provided
20 with loudspeaker which can be shifted in places. But, since the loudspeaker is exposed in the inside of motorcar, the loudspeaker is a hindrance for the driver or passengers, and the loudspeaker is not fixed so that one cannot expect to a good acoustic efficiency from

it.

The applicant have found that it is desirable that the loudspeakers are housed in the inside of a headrest

SUMMARY OF THE INVENTION

5 An object of the present invention is to obviate the drawbacks of the prior art and to provide a headrest containing loudspeakers therein by which it is made possible to provide a quiet and distinct sound for a driver or passengers. In general, the headrest is provided with a frame to which two connecting rods are mounted, the
10 connecting rods connects the headrest to the back of seat. The loudspeakers may be housed in the headrest using the frame. When the loudspeakers are housed in the headrest, the loudspeakers may be placed to adjacent to the ears so that one can listen a quiet and distinct sound from them even in low sound pressure level.

15 The present invention will become clear from the following description of the invention and with reference to the accompanying drawings.

BRIEF DESCRIPTION OF THE DRAWINGS

Fig. 1 is a perspective view of speaker units and a frame of
20 headrest according to the present invention.

Fig. 2 is a cross-sectional view of the headrest according to the present invention.

DETAILED DESCRIPTION OF THE INVENTION

In drawings, a headrest 10 is comprised of a frame 12, an enclosure 14 defining a space 16 with the frame 13, and an outer pad 18 covering the frame 12 and the enclosure 14. The frame 12 has a
5 mount 20 at which a pair of clips 22 and 22' are attached for connecting a pair of connecting rods 24 and 24'. An upper bent end of connecting rods 24 and 24' is clamped of the clips respectively and the connecting rods connect the headrest 10 to a back of seat (not shown).

10 The frame 12 is formed with two circular holes 26 and 26' for attaching two speaker units 28 and 28', respectively. The speaker units 28 and 28' is housed in the space 16 with attaching at the backside of frame 12.

In a front portion of the headrest, two acoustic guide-holes 30,
15 of which one is shown in Fig. 2, are opened at the outer pad 18 such that each of acoustic guide-holes 30 is aligned with each of the circular holes 26 and 26' of frame 12 and the speaker units 28 and 28' housed in the space 16.

20 Speaker units 28 and 28' are attached to the backside of the circular holes 26 and 26' which are formed at the frame 12 so that the speaker units 28 and 28' are firmly supported by the frame 12 and protected from vibration. Therefore, speaker units 28 and 28' can transmitt a stable sound to passengers. And the space 16 act as an
25 acoustic enclosure causing to rise the acoustic efficiency of speaker units.

Moreover, speaker units 28 and 28' according to the present invention are attached to the frame 12 with spacing each other so that the sound produced from speaker units is separated to enhance the stereophonic effect and transmitted to the passenger even in low volume. Therefore passenger can listen the stereophonic sound with his head leaning against the headrest and delight in music without bothering a neighbor.

Since the speaker units are housed in the inside of the headrest, the speaker units cannot hinder the passengers from occupying the seat. The outer pad 18 covering the frame 12 is made of a foam material such as sponge and a cloth to have a permeability for transmitting sound from the speaker units.

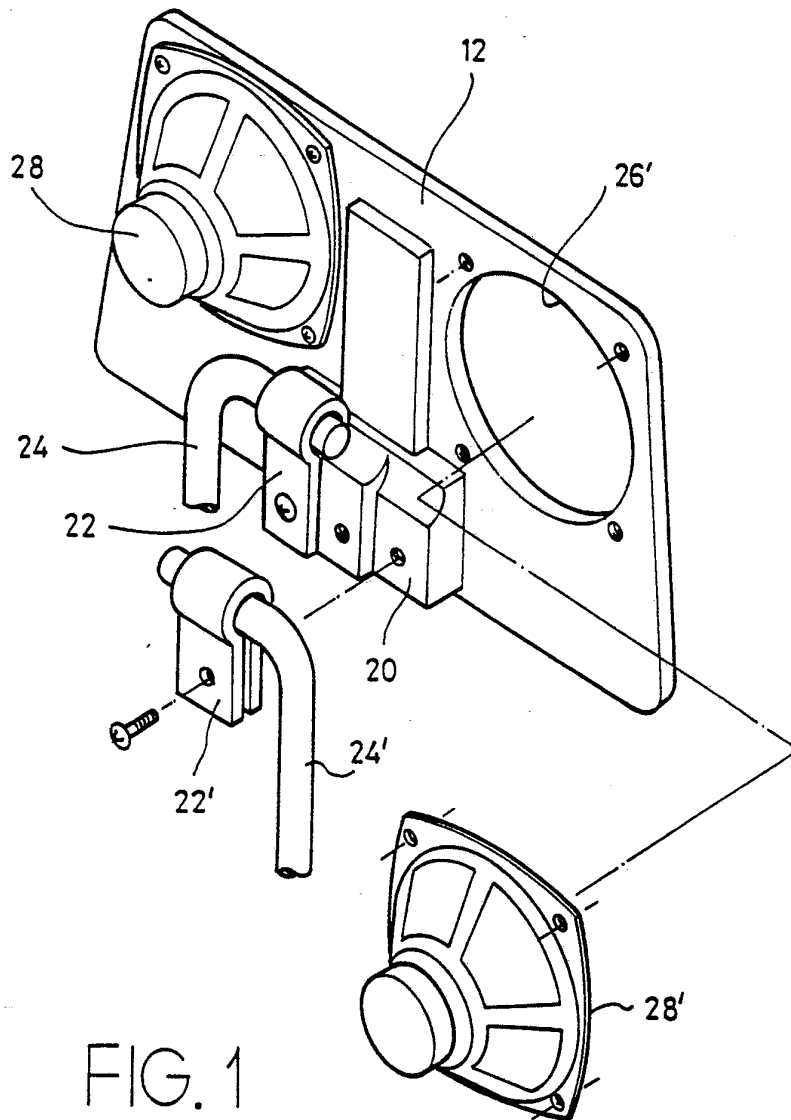
In this manner, the headrest containing loudspeakers according to the present invention is made possible to provide a quiet and distinct sound for passengers and provide an advantage of arrangement for the speaker units without exposing out of the headrest.

It will be appreciated that the present invention is not restricted to the particular embodiment described hereinbefore, and that variations and modifications may be made therein without departing from the spirit and scope of the invention.

WHAT IS CLAIMED IS:

1. A headrest 10 for motorcar having a frame 12, an enclosure 14 defining a space 16, and an outer pad 18 covering said frame 12 and said enclosure 14, said frame 12 provided with two connecting rods 24 and 24' which connect said headrest 10 to a back of seat, characterized in that said frame 12 is formed with two circular holes 26 and 26' at which two speaker units 28 and 28' are attached respectively, and said space 16 contains said speaker units 28 and 28'.

1/2



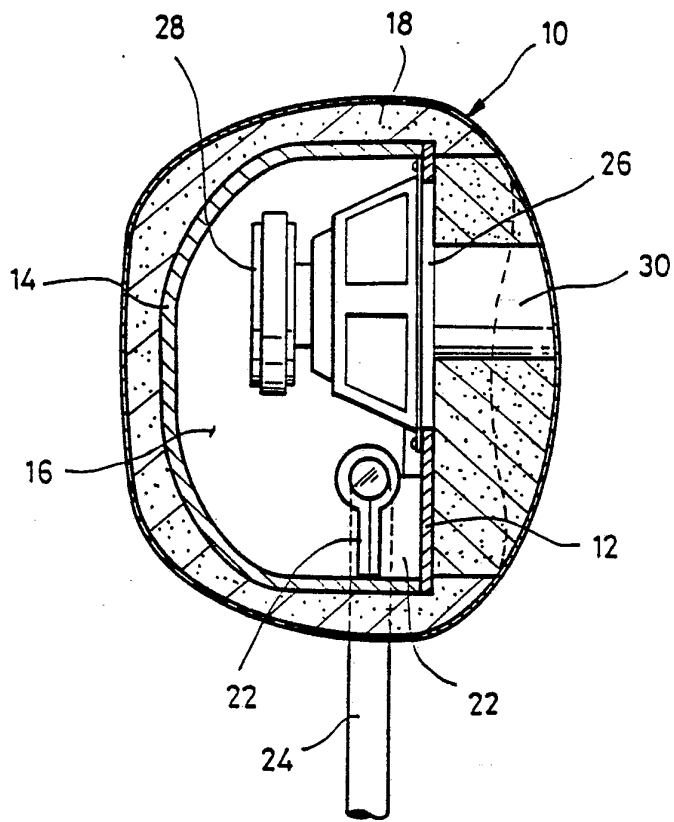


FIG. 2

INTERNATIONAL SEARCH REPORT

International application No.

PCT/KR 92/00032

A. CLASSIFICATION OF SUBJECT MATTER

Int.Cl.⁵: B 60 N 2/48; A 47 C 7/72; B 60 R 11/02
 According to International Patent Classification (IPC) or to both national classification and IPC

B. FIELDS SEARCHED

Minimum documentation searched (classification system followed by classification symbols)

Int.Cl.⁵: B 60 N 2/44, 2/48; B 60 R 11/00, 11/02; A 47 C 7/62, 7/72

Documentation searched other than minimum documentation to the extent that such documents are included in the fields searched

Electronic data base consulted during the international search (name of data base and, where practicable, search terms used)

C. DOCUMENTS CONSIDERED TO BE RELEVANT

Category*	Citation of document, with indication, where appropriate, of the relevant passages	Relevant to claim No.
X	US, A, 3 512 605 (McCORKLE) 19 May 1970 (19.05.70), see totality.	1
X	US, A, 3 385 393 (GOLD) 28 May 1968 (28.05.68), see totality.	1
A	DE, A1, 2 349 425 (AUDI NSU AUTO UNION AG) 10 April 1975 (10.04.75), see totality.	1
A	EP, A2 /A3, 0 305 062 (HUFNAGEL) 01 March 1989 (01.03.89), see fig. 1; abstract.	1
A	US, A, 3 384 719 (LANZARA) 21 May 1968 (21.05.68), see totality.	1

Further documents are listed in the continuation of Box C. See patent family annex.

* Special categories of cited documents:

"A" document defining the general state of the art which is not considered to be of particular relevance
 "E" earlier document but published on or after the international filing date
 "L" document which may throw doubts on priority claim(s) or which is cited to establish the publication date of another citation or other special reason (as specified)
 "O" document referring to an oral disclosure, use, exhibition or other means
 "P" document published prior to the international filing date but later than the priority date claimed

"T" later document published after the international filing date or priority date and not in conflict with the application but cited to understand the principle or theory underlying the invention

"X" document of particular relevance; the claimed invention cannot be considered novel or cannot be considered to involve an inventive step when the document is taken alone

"Y" document of particular relevance; the claimed invention cannot be considered to involve an inventive step when the document is combined with one or more other such documents, such combination being obvious to a person skilled in the art

"&" document member of the same patent family

Date of the actual completion of the international search

09 September 1992 (09.09.92)

Date of mailing of the international search report

14 September 1992 (14.09.92)

Name and mailing address of the ISA/ AT
 AUSTRIAN PATENT OFFICE
 Kohlmarkt 8-10
 A-1014 Vienna
 Facsimile No. 0222/53424/535

Authorized officer

Schmickl e.h.
 Telephone No. 0222/53424/420

INTERNATIONAL SEARCH REPORT
Information on patent family members

International application No.

PCT/KR 92/00032

Im Recherchenbericht angeführtes Patentdokument Patent document cited in search report Document de brevet cité dans le rapport de recherche	Datum der Veröffentlichung Publication date Date de publication	Mitglied(er) der Patentfamilie Patent family member(s) Membre(s) de la famille de brevets	Datum der Veröffentlichung Publication date Date de publication
US A 3512605	19-05-70	keine - none - rien	
US A 3385393	28-05-68	keine - none - rien	
DE A1 2349425	10-04-75	keine - none - rien	
EP A3 305062	07-06-89	EP A2 305062 JP A2 1104204 US A 4797934	01-03-89 21-04-89 10-01-89
US A 3384719	21-05-68	keine - none - rien	