



(86) Date de dépôt PCT/PCT Filing Date: 2006/03/07  
 (87) Date publication PCT/PCT Publication Date: 2006/09/14  
 (85) Entrée phase nationale/National Entry: 2007/08/28  
 (86) N° demande PCT/PCT Application No.: CA 2006/000321  
 (87) N° publication PCT/PCT Publication No.: 2006/094388  
 (30) Priorité/Priority: 2005/03/07 (US60/658,570)

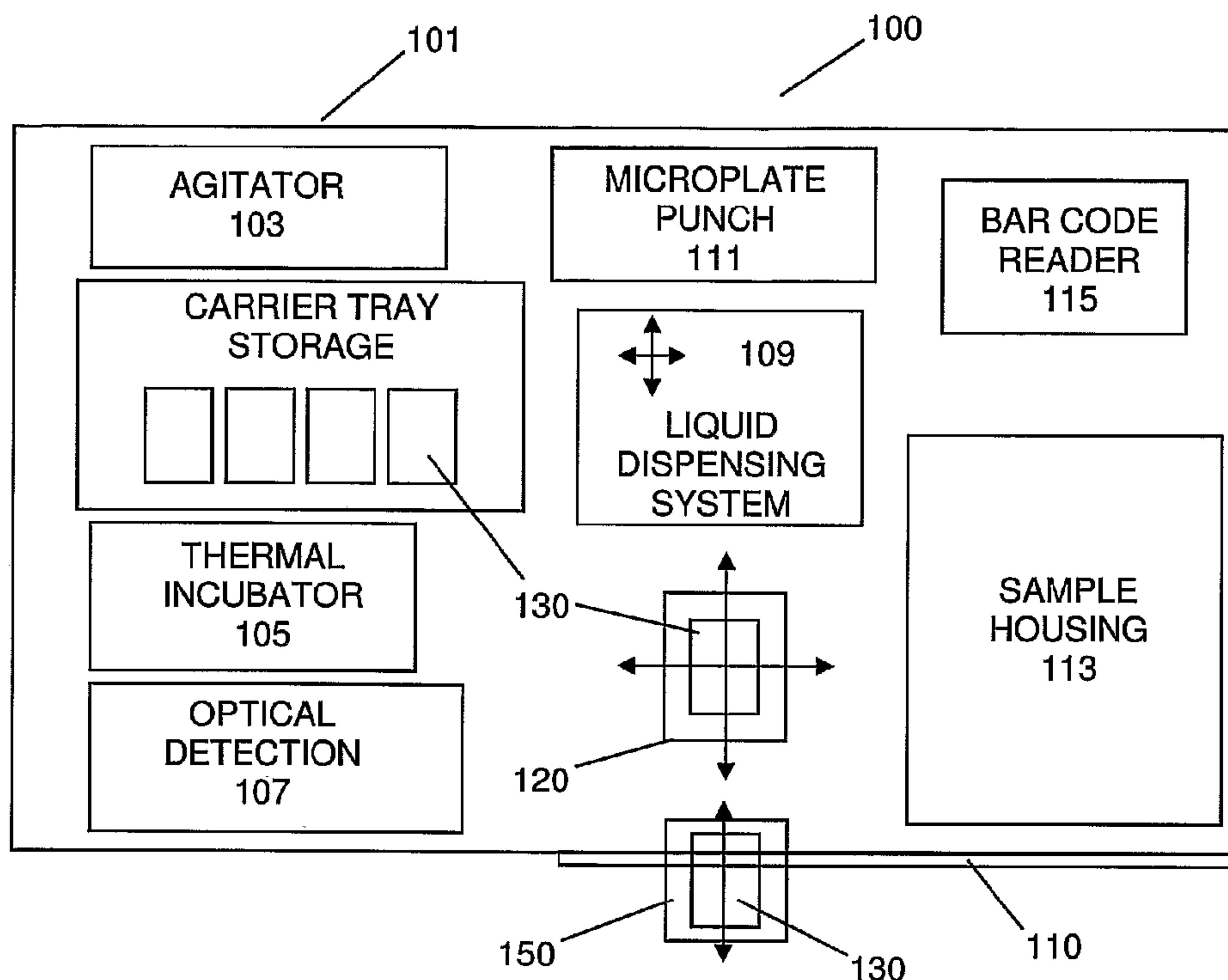
(51) Cl.Int./Int.Cl. *G01N 35/02* (2006.01),  
*G01N 21/62* (2006.01), *G01N 21/76* (2006.01),  
*G01N 35/10* (2006.01)

(71) Demandeur/Applicant:  
 NOVX SYSTEMS INC., CA

(72) Inventeurs/Inventors:  
 ALAVIE, TINO, CA;  
 BECKLEY, KEITH, CA;  
 HUDSON, ANDREW, CA;  
 LEONARD, STEPHEN W., CA;  
 MAASKANT, ROBERT, CA;  
 TALEBPOUR, SAMAD, CA;  
 YANG, WILLIAM, CA

(74) Agent: HILL & SCHUMACHER

(54) Titre : ANALYSEUR AUTOMATISE  
 (54) Title: AUTOMATED ANALYZER



(57) **Abrégé/Abstract:**

The present invention provides a bar-code driven, completely automated, microplate-based analyzer system for performing chemical, biochemical or biological assays. The analyzer is a modular, bench-top instrument that compactly integrates subsystems for sample dispensing, liquid handling, microplate transport, thermal incubation, vortexing, solid phase separation and optical reading. An internal processor is included for automating the instrument, and a user interface to facilitate communication with the operator via a touch-sensitive liquid-crystal display (LCD), and communicating with a remote network via multiple protocols. The analyzer includes firmware resident within the processing system and the user interface allows the operator to select pre-defined assay batch protocols and the user interface is configured in such a way so as to restrict an operator from programming the firmware.

(12) INTERNATIONAL APPLICATION PUBLISHED UNDER THE PATENT COOPERATION TREATY (PCT)

(19) World Intellectual Property Organization  
International Bureau(43) International Publication Date  
14 September 2006 (14.09.2006)

PCT

(10) International Publication Number  
**WO 2006/094388 A1**

## (51) International Patent Classification:

G01N 35/02 (2006.01) G01N 21/62 (2006.01)  
G01N 21/76 (2006.01) G01N 35/10 (2006.01)

## (21) International Application Number:

PCT/CA2006/000321

(22) International Filing Date: 7 March 2006 (07.03.2006)

(25) Filing Language: English

(26) Publication Language: English

## (30) Priority Data:

60/658,570 7 March 2005 (07.03.2005) US

(71) Applicant (for all designated States except US): **NOVX SYSTEMS INC.** [CA/CA]; 185 Renfrew Avenue, Markham, Ontario L3R 6G3 (CA).

## (72) Inventors; and

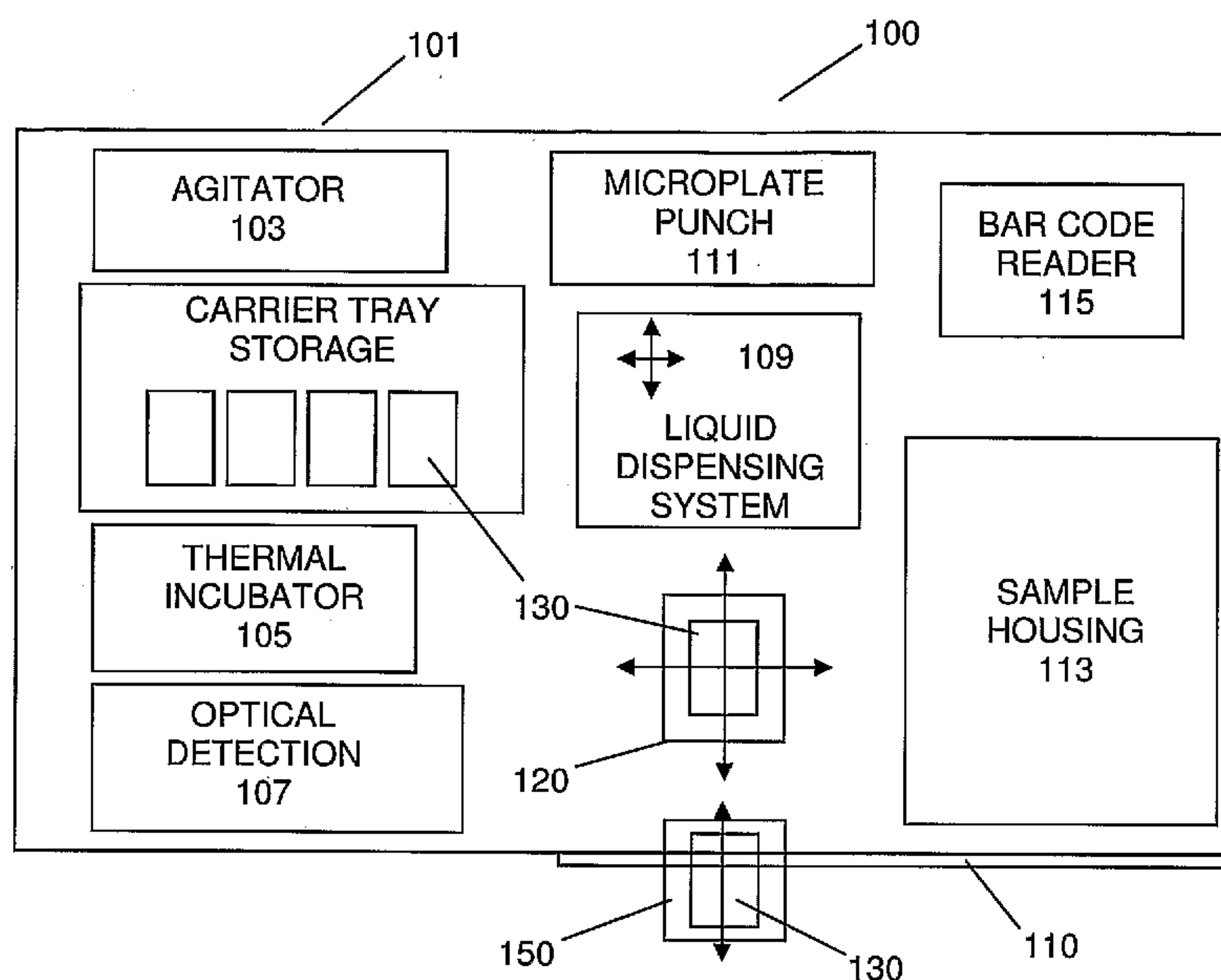
(75) Inventors/Applicants (for US only): **ALAVIE, Tino** [CA/CA]; 12 Doncrest Drive, Thornhill, Ontario L3T 2T1 (CA). **BECKLEY, Keith** [CA/CA]; 400 Warren Road, King City, Ontario L7B 1C4 (CA). **HUDSON, Andrew** [CA/CA]; 128 Yarmouth Road, Toronto, Ontario M6G 1X2 (CA). **LEONARD, Stephen, W.** [CA/CA];80 Lichfield Road, Unionville, Ontario L3R 0W9 (CA). **MAASKANT, Robert** [CA/CA]; 1 Manitou Drive, King City, Ontario L7B 1E7 (CA). **TALEBPOUR, Samad** [CA/CA]; 220 Taylor Mills Dr. N., Richmond Hill, Ontario L4C 2T7 (CA). **YANG, William** [CA/CA]; 119 Mintwood Drive, Toronto, Ontario M2M 3A6 (CA).(74) Agent: **HILL & SCHUMACHER**; 87 Falcon Street, Toronto, Ontario M4S 2P4 (CA).

(81) Designated States (unless otherwise indicated, for every kind of national protection available): AE, AG, AL, AM, AT, AU, AZ, BA, BB, BG, BR, BW, BY, BZ, CA, CH, CN, CO, CR, CU, CZ, DE, DK, DM, DZ, EC, EE, EG, ES, FI, GB, GD, GE, GH, GM, HR, HU, ID, IL, IN, IS, JP, KE, KG, KM, KN, KP, KR, KZ, LC, LK, LR, LS, LT, LU, LV, LY, MA, MD, MG, MK, MN, MW, MX, MZ, NA, NG, NI, NO, NZ, OM, PG, PH, PL, PT, RO, RU, SC, SD, SE, SG, SK, SL, SM, SY, TJ, TM, TN, TR, TT, TZ, UA, UG, US, UZ, VC, VN, YU, ZA, ZM, ZW.

(84) Designated States (unless otherwise indicated, for every kind of regional protection available): ARIPO (BW, GH, GM, KE, LS, MW, MZ, NA, SD, SL, SZ, TZ, UG, ZM, ZW), Eurasian (AM, AZ, BY, KG, KZ, MD, RU, TJ, TM), European (AT, BE, BG, CH, CY, CZ, DE, DK, EE, ES, FI, FR, GB, GR, HU, IE, IS, IT, LT, LU, LV, MC, NL, PL, PT,

[Continued on next page]

(54) Title: AUTOMATED ANALYZER



(57) Abstract: The present invention provides a bar-code driven, completely automated, microplate-based analyzer system for performing chemical, biochemical or biological assays. The analyzer is a modular, bench-top instrument that compactly integrates subsystems for sample dispensing, liquid handling, microplate transport, thermal incubation, vortexing, solid phase separation and optical reading. An internal processor is included for automating the instrument, and a user interface to facilitate communication with the operator via a touch-sensitive liquid-crystal display (LCD), and communicating with a remote network via multiple protocols. The analyzer includes firmware resident within the processing system and the user interface allows the operator to select pre-defined assay batch protocols and the user interface is configured in such a way so as to restrict an operator from programming the firmware.

WO 2006/094388 A1

**WO 2006/094388 A1**



RO, SE, SI, SK, TR), OAPI (BF, BJ, CF, CG, CI, CM, GA, GN, GQ, GW, ML, MR, NE, SN, TD, TG).

*For two-letter codes and other abbreviations, refer to the "Guidance Notes on Codes and Abbreviations" appearing at the beginning of each regular issue of the PCT Gazette.*

**Published:**

- *with international search report*
- *before the expiration of the time limit for amending the claims and to be republished in the event of receipt of amendments*

## **AUTOMATED ANALYZER**

### **CROSS REFERENCE TO RELATED U.S. APPLICATIONS**

This patent application relates to, and claims the priority benefit from,  
5 United States Provisional Patent Application Serial No. 60/658,570 filed on  
March 7, 2005, in English, entitled **AUTOMATED ANALYZER**, and which is  
incorporated herein by reference in its entirety.

### **FIELD OF THE INVENTION**

10 The present invention is related to an automated analyzer particularly  
for clinical applications.

### **BACKGROUND OF THE INVENTION**

Automated clinical analyzers have recently enjoyed widespread use by  
15 diagnostic laboratories for the rapid and reliable detection of analytes in a  
variety of biological samples. Analyzers are routinely used to perform a wide  
variety of assays, most of which involve immunoassays where the high affinity  
and selectivity of an antibody for its antigen is exploited.

Most of the recent efforts of the diagnostic community have focused on  
20 the development of products for either high-throughput clinical laboratories or  
single-use "point-of-care" settings. High throughput screening (HTS) is a  
mature area of diagnostics that is generally served by large, expensive and  
complex analyzers. Analyzers with very high throughput capabilities are  
usually modular in form, with each separate module performing a single step  
25 of the assay. For example, modules commonly exist for fluid handling,  
incubating, vortexing, transport, and reading and analyzing the assay result.

The modules are then robotically interconnected to provide full automation. Alternatively, some HTS analyzers are designed as a single unit, with multiple subsystems integrated into a common instrument. Such analyzers are more compact than their modular counterparts and usually have a somewhat  
5 reduced throughput, but still require a significant amount of laboratory space.

U.S. Pat. No. 6,042,786 discloses one such system, in which a single pipette in linear motion is used to aspirate and dispense samples and reagents. This system has a throughput of approximately 200 samples per hour and includes on-board reagent storage and refrigeration. In U.S. Pat.  
10 No. 5,885,530, an immuno-analyzer is disclosed that fully automates the handling and analysis of a bead-based heterogeneous assay system. This complex system features a centrifugal bead wash station and a re-usable sample dilution well. It is favored for clinical settings in which a high throughput of heterogeneous assays is required. In another instance of the  
15 prior art, U.S. Pat. No. 6,649,182 describes an analyzer for use with a biochip that is deposited with an array of receptors for different analytes. This system is useful for screening a large number of samples for the presence of very high number of analytes.

At the other end of the diagnostic spectrum lies point-of-care testing, in  
20 which simple, disposable cartridges are commonly used to perform a rapid screening assay. These devices are designed primarily for "doctor's office" or "bedside" applications in which a very low throughput of samples is encountered. Point-of-care screening has traditionally been performed using disposable lateral-flow assay devices. A lateral-flow assay device typically  
25 contains a sample pad, a conjugate pad, a membrane with reagent lines and an absorptive pad. The sample is added to the sample pad and flows through

the conjugate pad, where it interacts with analyte-specific labeled antibodies, forming a bound complex. The bound complex then flows through a porous membrane to one or more reagent lines, at which point the bound complex and unbound analyte binds. The presence of a coloured line at the reagent  
5 indicates a positive result. The sample continues to flow through the membrane to the absorbent pad, where it is absorbed. It is commonplace for a second control reagent line to be added to confirm the event of a positive result. Such a device is used in U.S. Pat. Publication No. 2002/0146346A1 where a single lateral flow platform is used to screen for a panel of several  
10 drugs of abuse. Such devices are useful for qualitative analysis, but are generally not useful for obtaining reliable quantitative results.

Recently, the field of point-of-care diagnostics has evolved beyond simple qualitative devices to quantitative or semi-quantitative analyzers that accept single-use, disposable sample cartridges. Most of these analyzers rely  
15 on cartridges with advanced internal sample processing capabilities, including sample delivery, reagent delivery, washing, incubation and the absorbance of waste fluids. Microfluidic technologies are often employed to achieve these functions, with capillary action or centrifugal forces used to provide metered fluid delivery. Alternatively, capillaries can be used as valve stops, beyond  
20 which fluid flow is only made possible following the application of sufficient air pressure from by an external means.

An example of such a cartridge is provided by U.S. Pat. Publication No. 2003/0170881A1, in which a disposable cartridge for point-of-care settings is disclosed. The cartridge is placed by the operator in the analyzer, which  
25 performs an enzyme-based immunoassay for a given analyte. Upon completion of the assay, results are read via electrical means, such as the

amperometric or potentiometric reading of thin films, which advantageously reduces the design complexity, size and cost of the analyzer.

Another suitable cartridge for point-of-care diagnostics is described in U.S. Pat. Publication. No. 2003/0180815, in which a simple and disposable lateral flow assay device is adapted for use in an analyzer. Unlike conventional colourimetric lateral flow assay devices, this invention uses an enzyme for the dissolution of a polymer membrane coating an electrode, providing an electrical measurement of the assay result. The cartridges can therefore be inserted into a simple reader that employs a capacitive measurement for the determination of assay results.

Despite the advances made in serving HTS markets and “point-of-care” settings, the needs of small clinics with low-to-moderate throughput requirements have been largely overlooked. An excellent example of these clinics is the so-called “point-of-collection” clinic, in which client or patient samples are routinely collected for analysis. Examples of such medical clinics include cancer, fertility and cardiac clinics and also therapeutic treatment clinics including methadone maintenance clinics and pain management clinics. Another example of a point-of-collection setting is workplace drug testing performed by a large employer on a routine basis. Other examples of small clinics include specialized non-medical laboratories such as food testing or environmental testing laboratories, where periodic sample collection is routinely employed as a safety measure.

In its most efficient form, on-site testing enables a small clinic to obtain test results within minutes. In the case of medical point-of-collection clinics, the rapid availability of the results reduces the costs of testing and allows the physician to provide a much higher standard of care, responding immediately

to changes in the patient's condition. On-site testing also assists small non-medical laboratories to enable rapid testing and offers the ability to easily customize and vary the assay test plan.

5 The needs of smaller sized clinics are therefore likely to be best met by an inexpensive analyzer that is easy to operate. A step towards this goal has been taken in the prior art by the development of microplate-based automated analyzer systems. Such analyzers employ an array of microwells to perform the assay reaction on a per-assay and per-sample basis.

10 Microplates for such a use are commercially available in a number of formats, the most commonly used format at present being the 96-well 8x12 microplate. Other popular microplate formats provide much more wells are the 384 and 1538-well microplates. For all of such microplates, the many of the physical dimensions are required to meet an industry standard that promotes the usage of a single format across a wide range of analyzer and  
15 instruments.

Although microplate-based liquid handling systems and single-function microplate systems such as microplate washers, incubators, agitators and readers are well known in the prior art, only a few examples of compact fully-automated microplate analyzers have been disclosed. One example of a  
20 microplate-based analyzer system is provided by US Patent No. 5,104,621 issued to Pfof et al., where an automated analyzer employing microplates for the purpose of conducting ELISA assays is disclosed. The analyzer employs a number of integrated subsystems to provide a versatile laboratory  
25 instrument for the automation and control of assays. Reagents are dispensed from a bulk dispenser into the wells of a microplate. The microplate, reagents and consumables are all housed in a common two-dimensional plane.



Another analyzer that uses a more complex spatial layout of subsystems is disclosed in US Patent No. 5,122,342 issued to P. F. McCulloch et al., where a magazine containing a plurality of assay-specific microplates is housed within the analyzer. Samples are loaded into the analyzer and are identified by a machine-readable barcode. The analyzer is programmed by the operator to perform a series of assays on a set of samples, and assay reactions are performed in a microplate format, with a different microplate for each assay. Reagents are dispensed from a bulk internal storage apparatus via multichannel plungers. A key aspect of this patent is that the identity of the individual microplate carriers is confirmed while moving the microplate to a given subsystem by reading an identifying barcode affixed to each assay-specific plate carrier.

In another example of microplate analyzers in the prior art, U.S. Pat. No. 5,650,122 provides an automated system for performing an enzyme-linked immunosorbent assay (ELISA). The analyzer automates the processing of two ELISA-based microplates, incorporating sample pipetting, incubation, washing and optical absorbance reading into a single instrument. Although the sample is directly pipetted (and diluted, if necessary) by the analyzer into the microplate, the placement of the sample test tubes is done by the operator and is susceptible to transcription errors. Such an analyzer requires a high degree of skill by a trained operator for proper quantitative analysis.

A fourth microplate-based analyzer system is described in US Patent Application 2002/0006362 A1 (Ohta et al.). This microplate-based analyzer system improves over the prior art by providing a more compact and efficient system. As in the aforementioned microplate-based analyzers, this system

employs bulk reagent storage and a liquid transfer station for dispensing reagents from bottles to microplate wells where the assay reaction occurs.

5 A fifth microplate-based analyzer is commercially available from BMG as the NOVOstar system, which is a compact analyzer system that allows the operator to load both a reagent and a measurement microplate, the latter containing pre-dispensed sample. An internal pipetting system enables the transfer of reagents from the reagent microplate to the reaction microplate, where the assay reaction is initiated. The system further includes means for agitation, incubation, microplate washing, dispensing of additional stored bulk reagents, and optical detection. The analyzer is sold as a fully automated tool for research laboratories.

15 Unfortunately, none of the four aforementioned microplate-based analyzer systems are designed for use in a small clinical setting. The analyzers all assume a high degree of operator skill, especially for providing such functions as the programming of assay protocols, inventory management of internally-housed reagents, frequent maintenance, and the correct placement of samples within the analyzer. Such requirements represent a large drawback for use in a small clinical setting, where speed and simplicity are crucial.

20 As mentioned above, a critical requirement for most small clinics is the ability for unskilled personnel such as secretaries or nurses to operate diagnostic analyzers for on-site testing with minimal training. Small clinics often cannot afford the added expense of employing skilled technicians to run a clinical laboratory. Furthermore, there may be regulatory issues that preclude the employment of trained staff in small clinics. This requirement has important consequences for the handling of samples for analysis.

Provisions must be made in the analyzer (and cartridge if one is used) to protect against sample transcription errors, which can lead to erroneous results and liability concerns. Equally important is the need for the design of the analyzer to minimize the possibility of unskilled personnel being exposed to potentially hazardous samples.

Due to the lack of analyzers designed specifically for small clinics, clinicians are often forced to choose between using high-throughput analyzers or single-use, point-of-care devices for on-site testing. Unfortunately, the high purchase cost and need for skilled technicians makes HTS analyzers inappropriate and unaffordable for most small clinical settings. Also, as previously discussed, HTS analyzers typically enable sample throughput in excess of several hundred samples per hour, which is far beyond the requirements of small clinics and laboratories. The usefulness of point-of-care diagnostic devices in small clinics is also limited. Although simple disposable devices such as lateral flow assays are useful in very low-throughput applications where a qualitative result is desired, they fail to provide the necessary accuracy for the majority of small clinics that require a quantitative result.

The role of the operator in interpreting the assay result is also problematic in many clinical settings. In addition, manual devices do not automatically provide an electronic record of the test result that can be remotely achieved on a computer system. Although point-of-care analyzers surmount many of these problems, their throughput and need for frequent loading and unloading of the instrument make them impractical for small clinics or laboratories with moderate sample throughput. Unfortunately, many of the cartridges used in such instruments lack the assay diversity needed to

perform a wide range of tests. The use of a sample cartridge often prohibits sample dilution, which may be necessary for some assays.

Point-of-care analyzers also often suffer from poor assay repeatability due to poor tolerances in the manufacture of cartridge parameters or  
5 insufficient accuracy when dispensing fluids. The repeatability is often further compromised by the lack of sufficient calibrators or controls. This poor repeatability leads to a significantly larger coefficient of variation in the assay result, which limits the dynamic range and precision of the assay. Perhaps most importantly, the use of complex, proprietary, single-sample, single-test  
10 disposable cartridges dramatically increases the cost per test relative to that of high-throughput analyzers, squeezing profit margins and increasing the cost of healthcare.

The aforementioned limitations of diagnostic devices have forced many small clinics and laboratories to abandon on-site testing in favour of testing in  
15 a centralized laboratory. A centralized laboratory typically uses HTS analyzers to perform tests on samples culled from a number of smaller clinics. This process is costly and time consuming, as it necessitates the shipping of samples from the clinic to the centralized laboratory. Although an individual test may only take minutes to complete by the analyzer in the laboratory, the  
20 time interval between shipping the sample and receiving the report can be days. To make matters worse, the assays performed on the large analyzers are usually only semi-quantitative tests that are susceptible to problems associated with matrix effects, sample adulteration and poor specificity. These problems commonly lead to the reporting of false positive results, in  
25 which case it is often necessary to perform further quantitative confirmatory testing, leading to further costs and delays.

There is therefore a need for a diagnostic analyzer that bridges the existing gap between HTS and point-of-care analyzers, providing an analyzer that offers moderate throughput, ease of use by unskilled workers, minimal sample handling, low consumable cost and assay versatility in a compact and inexpensive instrument.

### SUMMARY OF THE INVENTION

The present invention addresses the need for a moderate-throughput analyzer that does not require skilled laboratory personnel by providing a microplate-based analyzer with minimal operator involvement and decision-making.

In particular, the analyzer solves the problems associated with reagent storage and handling by removing the requirement for internal reagent storage. This is achieved by providing a means for processing sealed and labeled reagent microplates that are easily loaded by an unskilled operator. The pre-filled microplates may contain reagents, standards, or a mixture of both in order to facilitate the automation of one or more assays in a batch format. In a preferred embodiment, a means of punching sealed microwells is provided within the analyzer. Alternatively, the sealed microwells can be punched with an external punch tool prior to being loaded in the analyzer.

Microplates and assay consumables are loaded into the analyzer by one or more carrier trays, which perform the dual role of securing the microplates and assay consumables and also providing a means of transporting the microplates and assay consumable within the analyzer. The means of transportation further includes a transport arm that engages with

mechanical features on the carrier trays and transports the carrier trays to various systems and stations internal to the analyzer.

5 Samples are loaded into a sample housing within the analyzer, where machine readable labels on the sample containers are read. In a preferred embodiment, the machine readable labels also include a list of assays to be performed by the analyzer, which further reduces the role of the operator and thereby the likelihood of human error. In another preferred embodiment, the labels on the microplates and assay consumables are also machine readable. This provides a means for confirming the correct loading of microplates and  
10 assay consumables, and also allows for the passage of important information to the analyzer without the involvement of the operator. Such information may include the microplate type, microplate vendor, expiry date, production date, lot or batch number, serial number, reagent or standard identity and location, and reagent or standard concentration.

15 The analyzer also improves upon the prior art by incorporating one or more pre-programmed assay batch protocols in the analyzer firmware. The firmware, which is preferably restricted from modification by an operator, includes the sequence and timing required for the automation of one or more assays. The firmware may be field-upgraded for the purpose of adding,  
20 removing, or modifying assay batch protocols.

The automation of assays is achieved by a microprocessor control means, which directs a series of internal systems and stations to perform all tasks necessary to conduct one or more assays specified in a given batch protocol. The internal systems and stations include an agitation means, a  
25 liquid dispensing station for the dispensing of samples, reagents and standards, a thermal incubator, and an optical detection station. The operator

interacts with the analyzer via a user interface, which is preferably a touchscreen liquid-crystal display integrated into the analyzer.

The present invention therefore provides an automated analyzer for performing chemical, biochemical or biological assays in a microplate format, comprising;

a plurality of discrete carrier trays for holding and transporting microplates and other assay consumables, where said microplates and assay consumables have a uniquely identifiable label, and where microplates with microwells containing a reagent or standard are initially provided in a sealed format;

means of presenting said carrier trays to an operator for the purpose of loading or unloading said microplates and other assay consumables;

a plurality of carrier tray supports within said analyzer for holding said carrier trays in particular locations;

a carrier tray transport means for transporting said carrier trays as required within said analyzer;

a sample housing for holding one or more sample containers, where each sample container has a uniquely identifiable machine readable label;

reading means for reading a machine readable label;

piercing means for piercing said sealed microwells for allowing access to the reagents or standards within the microwells;

a liquid dispensing system for transferring a sample to said microwell and for transferring one or more of said reagent or standard to one microplate from another microplate;

agitation means for agitating one or more microplates;

a thermal incubator for thermally incubating contents of said microwells of one or more microplates;

an optical detection station including an optical detection system for measuring an assay signal from one or more microwells;

5 a user interface enabling interaction between the analyzer and an operator;

microprocessor control means including firmware pre-programmed with one more batch protocols, wherein said batch protocols describe all steps required for the automation of one or more assays performed on one or more  
10 samples; and

a means for field-updating said firmware for the purpose of adding, removing or modifying batch protocols.

As described above, the assay firmware includes pre-programmed assay batch protocols that provide the sequence and timing required for the  
15 automation of one or more assays. A batch protocol run that performs one or more assays on a set of samples is initiated as follows. The analyzer first scans the barcodes of samples loaded into the analyzer and determines the list of all assays required by the set of samples. The list of assays to be run on a particular sample can either be contained within the machine-readable  
20 sample labels, or can be manually entered by the user on a per-sample basis. The analyzer then cross-references the list of all assays with the sample batch protocols residing in the analyzer firmware. The subset of compatible sample batch protocols is then presented to the operator, who is instructed to select a preferred sample batch protocol. The analyzer then instructs the  
25 operator to load the analyzer with the microplates and assay consumables required for the chosen sample batch protocol. The sample batch protocol is



then performed by the analyzer, whereby assay signals are obtained for each assay performed on each sample. Pre-determined dose-response curves for each assay are then employed to determine the analyte concentrations within the samples.

5           The present invention, therefore also provides a method of automating chemical, biochemical or biological assays in a microplate-based automated analyzer, comprising the steps of;

          instructing an operator to insert one or more sample containers into an analyzer, where each sample container contains a sample and has a uniquely  
10    identifiable machine readable label;

          obtaining a list of assays to be performed on each sample by an assay list input means;

          compiling a list of all assays to be performed on said samples;

          cross-referencing said list of all assays with a set of sample batch  
15    protocols residing within firmware of said analyzer to determine a subset of sample batch protocols that can be employed to perform said list of assays, wherein said sample batch protocols describe the sequence and timing of all actions required to perform one or more assays on one or more samples, and wherein said sample batch protocols are pre-programmed into the firmware of  
20    said analyzer;

          instructing said operator to select a sample batch protocol from said subset of sample batch protocols;

          instructing said operator to load microplates and other assay consumables required by said selected sample batch protocol, where said  
25    microplates and assay consumables have a uniquely identifiable label, and

where microplates with microwells containing a reagent or standard are initially provided in a sealed format;

performing said selected sample batch protocol; and

determining one or more analyte concentrations for each sample,

5 wherein said analyte concentrations are obtained using assay signals measured during automation of said sample batch protocol and dose-response curves for assays performed by said sample batch protocol, and wherein said dose-response curves are determined by a separate calibration batch protocol and stored within said analyzer.

10 The automation of a sample batch protocol requires the use of a dose-response curve for each assay performed by the protocol. Such dose-response curves are obtained via a separate calibration batch protocol, whereby standards with known analyte concentrations are measured in the place of samples. In a preferred embodiment, standards are introduced into  
15 the analyzer in a microplate format.

A calibration batch protocol run is performed as follows. The analyzer first offers the operator a list of all available batch calibration protocols residing in the analyzer firmware. The operator selects a desired batch calibration protocol and the analyzer instructs the operator to load the  
20 analyzer with the microplates and assay consumables required for the chosen calibration batch protocol. The calibration batch protocol is then performed, whereby assay signals for standards with known analyte concentrations are measured for each assay in the batch protocol. The resulting assay signals and known concentrations are mathematically fitted to a known functional  
25 form, which generates dose-response curves for each assay. The dose-response curves are stored within the analyzer for use in a future sample

batch calibration protocol run. In a preferred embodiment, a companion calibration batch protocol exists for each sample batch protocol within the analyzer firmware.

Therefore, in another aspect of the present invention there is provided  
5 a method of calibrating automating chemical, biochemical or biological assays on a microplate-based automated analyzer, comprising the steps of;

providing to an operator a list of calibration batch protocols residing within the firmware of said analyzer, wherein said calibration batch protocols describe the sequence and timing of all actions required to calibrate one or  
10 more assays; and wherein said calibration batch protocols are pre-programmed into firmware of said analyzer;

instructing said operator to select a calibration batch protocol from said list of calibration batch protocols;

instructing said operator to load microplates and other assay  
15 consumables required by said calibration batch protocol, where said microplates and assay consumables have a uniquely identifiable label, and where microplates with microwells containing a reagent or standard are initially provided in a sealed format;

performing said selected calibration batch protocol; and

20 determining dose-response curves for each assay performed by said calibration batch protocol; wherein said dose-response curves are obtained by fitting measured assay signal and known analyte concentrations to mathematical functions;

storing said dose-response curves within said analyzer for future use  
25 by a corresponding sample batch protocol, whereby analyte concentrations in samples are determined.

A further understanding of the functional and advantageous aspects of the invention can be realized by reference to the following detailed description and drawings.

5

### BRIEF DESCRIPTION OF THE DRAWINGS

The invention will be more fully understood from the following detailed description thereof taken in connection with the accompanying drawings, which form a part of this application, and in which:

10

**FIG. 1** is a schematic outlining the major subsystems within the analyzer;

**FIG. 2** is a perspective view of a microplate;

**FIG. 3** is a flow chart outlining the primary operational sequence of a calibration batch protocol performed by the analyzer;

15

**FIG. 4** is a flow chart outlining the primary operational sequence of a sample batch protocol performed by the analyzer;

**FIG. 5** is a perspective view of a specific embodiment of the analyzer system;

**FIG. 6** schematically shows the main subsystems within the specific embodiment of the analyzer;

20

**FIG. 7** is a perspective view of a pipette tip box, shown loaded with pipette tips;

**FIG. 8** is a perspective view of a microplate carrier tray with a reagent microplate held in place;

25

**FIG. 9** is a perspective view of a preferred embodiment of a carrier tray for a reaction microplate;

**FIG. 10** is a perspective view of a secondary platform that is used to secure a carrier tray in a given location within the analyzer;

**FIG. 11** is a perspective view of the loading arm assembly used to load microplates and pipette tip boxes within the analyzer;

5 **FIG. 12** is a perspective view of the transport arm assembly used to transport carrier trays within the analyzer;

**FIG. 13** is a perspective view of the multichannel pipette assembly used for the parallel transport of reagents and buffers;

10 **FIG. 14** is a perspective view of a microplate punch tool used to pierce the seals in a column of eight microwells residing in a sealed microplate, where the compression bar is shown in its extended position;

**FIG. 15** is a perspective view of a microplate punch tool used to pierce the seals in a column of eight microwells residing in a sealed microplate, where the compression bar is shown in its retracted position;

15 **FIG. 16** shows a perspective view of a preferred embodiment of how the punch tool is transported within the analyzer;

**FIG. 17** is perspective view of the vortexer;

**FIG. 18** is a perspective view of the shaft used to produce orbital motion within the vortexer;

20 **FIG. 19** is a perspective view of two orthogonal linear translation stages employed within the vortexer system for the purpose of confining the motion of the carrier tray support to an orbital profile;

**FIG. 20** is a perspective view of the complete vortexer and incubator assembly, showing both the internal and external vortexers;

25 **FIG. 21** is a perspective view of the optical detection station;

**FIG. 22** is a perspective view of another embodiment of the optical detection position assembly shown with a magnetic secondary platform;

**FIG. 23** is a perspective view of a sample collection bottle with bar code label;

5 **FIG. 24** is a perspective view of the carousel used to hold and position sample bottles within the sample dispensing module;

**FIG. 25** is a perspective view of the single pipette assembly used to transport samples from the sample dispensing module to a microplate within the analyzer;

10 **FIG. 26** is a perspective view of the optional probe assembly that is employs ion selective electrodes for additional sample measurements within the sample dispensing module;

**FIG. 27** is a top view of the integrated sample dispensing module, with the pipette assembly shown extended within the main body of the analyzer;

15 **FIG. 28** is a perspective view of the integrated sample dispensing module;

**FIG. 29** is a perspective view of the optical head subsystem used to measure absorbance, luminescence or fluorescence within a reaction plate well;

20 **FIG. 30** is a front-left perspective view of the source and detector optical subsystem;

**FIG. 31** is a front-right perspective view of the source and detector optical subsystem;

25 **FIG. 32** is a front perspective view of the main body of the analyzer with all integrated subsystems; and

**FIG. 33** is a top-right perspective view of the main body of the analyzer with all integrated subsystems.

### DETAILED DESCRIPTION OF THE INVENTION

5           The present invention provides a bar-code driven, completely automated, microplate-based analyzer system for performing chemical, biochemical or biological assays. A schematic of a general embodiment of the analyzer system according to the invention is shown in Figure 1 generally at **100**. The analyzer **100** comprises an enclosure **101** with a door **110** for  
10           inserting samples, microplates, and other consumables into the system. A plurality of systems and stations reside within the analyzer, including an agitator **103**, a thermal incubator **105**, an optical detection system **107**, a bar-code reader **115**, a liquid dispensing system **109**, a microplate punch device **111** and a microplate carrier tray transport system **120**.

15           Unlike microplate-based analyzers known in the prior art, the present analyzer does not employ internally-stored bulk reagents. Instead, the analyzer accepts pre-filled, sealed and barcoded reagent microplates with much smaller reagent volumes than traditionally employed in automated analyzer systems. Such reagent microplates were recently described in a co-  
20           pending U.S. Patent Application Serial No. XXXX entitled "**MICROPLATE ASSAY KIT**" filed on February 28, 2006, published as U.S Patent Publication No. 2006/XXX.

          A microtiter plate, or "microplate" as used hereinafter, is an array of multiple "wells" that are used as small test tubes in which the assay is  
25           performed. The microplate has become a standard tool in analytical research and clinical diagnostic testing laboratories. It typically can have 6, 24, 96, 384

or 1536 sample wells arranged in a 2:3 rectangular matrix. Microplates have also been manufactured with 3456 or even 9600 wells. Each well of a microplate typically holds somewhere between a few to a few hundred microliters of liquid. The term "microplate", as used herein, describes both a  
5 solid two-dimensional array of microwells, and also a single one-dimensional linear array of microwells (the so-called "stripwell" format), where the stripwell is placed in an appropriate supporting device (such supports are well known in the prior art).

Figure 2 shows an example of such a microplate prior to being sealed.  
10 The exemplary microplate **200** preferably adheres to an industry standard discussed above and contains a rectangular array of 96 cylindrical wells **210** and an outer flange **220**. Each well has a preferred working volume of approximately 250 microliters. A barcode label **222** applied to the side of the microplate provides information relating to the identity, volume and location of  
15 reagents contained within the microwells. The label may further contain additional information such as the batch or lot number of the reagents, the expiry date of the reagents, and details relating to the physical shape, size and vendor of the particular microplate. The microplate **200** is typically made out of polypropylene, although other materials including glass and polystyrene  
20 are also possible. Furthermore, other microplate formats with different well densities including 384-well and 1536-well microplates are also envisioned by the invention as discussed above.

Pre-filled and sealed microplates **200** are loaded into the analyzer through door **110** and onto a carrier tray **130** housed on a carrier tray support  
25 **140** located on a loading arm **150**. The carrier tray **130** possesses a holding means for supporting microplate **200** in a stable and precise orientation



relative to the carrier tray **130**. In a preferred embodiment, the loading arm **150** is extendable and retractable in one or more dimensions beyond the analyzer frame **101**, through the door **110**, for ease of loading microplates onto a carrier tray by the operator. The microplate carrier tray transport system **120**, equipped with a carrier tray engaging and disengaging means, is capable of moving a microplate carrier tray **130** from its support **140** on the loading arm **150** to any of the various microplate subsystems within the analyzer. Each subsystem, including the carrier tray storage station, is fitted with a carrier tray support **140** for securing a microplate carrier tray **130**. The transport system **120** moves each microplate carrier tray **130** in at least two dimensions.

Also loaded through the door **110** are other microplates to be processed by the analyzer. Each additional microplate is loaded by the operator onto a distinct carrier tray **130** for internal transport. These additional microplates may include supplementary reagent microplates (more than one reagent microplate may be used to perform a set of assays), calibrator or control microplates containing standards to be used when calibrating or verifying assay performance, microplate tip boxes containing arrays of disposable pipette tips to be used by the liquid dispensing system, and reaction microplates. The assay reaction is performed and measured in a reaction microplate, and there are many different physical formats of reaction microplates that may be used in the analyzer **100**. For assays in which absorbance is measured, the reaction microplate is preferably made of transparent polystyrene and possess an optically flat bottom. Assays with reporter labels that generate luminescence or fluorescence are preferably measured with black reaction microplates that possess a transparent bottom.

The bar code **222** label applied to the side of the microplate can uniquely identify the type, vendor and mechanical dimensions of the reaction microplate. Reaction microplates are typically loaded into the analyzer **100** as unsealed and empty microplates, but they may also contain solid phase reagents such as lyophilized antibodies.

All microplates **200** filled with liquids (*i.e.* reagents or standards) are typically sealed with a metallic foil such as aluminum, but may instead be sealed by other materials such as a transparent plastic film. The microplate seal may be pierced by the operator using a piercing lid known in the prior art, manually peeled, or the microplate seal can be automatically pierced within the analyzer. The latter operation can be performed by distinct punch station **111** as shown in Figure 1, where a pin or blade is vertically contacted with the upper surface of one or more microwells at a time. Alternatively, the punch may reside within the analyzer **100** as a tool that may be temporarily accessed by another subsystem (such as the liquid handling system or the carrier tray transport system) for punching microwell seals.

Once loaded with operator-supplied microplates, the individual carrier trays **130** are housed within the analyzer **100**. The carrier trays **130** may either be stored on or within or on the internal subsystems (*i.e.* the agitator, thermal incubator and optical detection system) or may be stored in separate fixed carrier tray storage supports. The fixed carrier tray supports can be arranged in number of different spatial formats including a vertical magazine format or alternatively in a planar format. In a preferred embodiment, the fixed carrier trays **130** are arranged with no overlap in the vertical direction (*e.g.* in a planar format or in a vertically staggered staircase format), which makes multiple carrier trays **130** simultaneously accessible to the liquid

dispensing system and enables the rapid transfer of liquids from one microplate **200** to another microplate without requiring the carrier tray transport system to move the individual carrier trays **130**.

Alternatively, carrier trays **130** within the analyzer **100** may be housed  
5 in a combination of internal subsystems and carrier tray storage supports. In another preferred embodiment, the agitator system **103** and the fixed carrier trays **130** are arranged in such a way as to ensure no vertical overlap, and also an alignment of microplate rows or columns in one horizontal direction. This configuration ensures that multichannel pipetting among all microplates  
10 **200**, disposable tip changing, and agitation of a microplate **200** located on the agitator **103** can all be achieved without the need for the carrier tray transport system to move any microplates **200**.

It should be understood that this embodiment, in which a loading arm  
**150** is employed to load microplates into the analyzer, is not intended to be  
15 limiting in scope but rather serves as an example of one of many loading embodiments. In another simpler embodiment, microplates **200** are loaded directly onto internal microplate carrier trays by the operator through the door **110**. In such a case, it is important to recognize that not all plate carriers **130** need to be movable. For example, if the storage location of the plate carrier  
20 **130** for a microplate disposable tip box is always directly within range of the liquid dispensing system **109** via translation of the dispensing system, then the plate carrier **130** can remain fixed at all times. In such a case, it may be necessary to provide a dedicated per-fixed-carrier barcode reader or a  
movable barcode reader that can interrogate barcodes on microplates in fixed  
25 carrier trays.

While moving the microplate carrier trays **130** in the analyzer **100**, each microplate **200** is scanned by the barcode reader to ascertain pertinent information about the identity, including, but not limited to, microplate type (reaction, reagent, calibrator, pipette tip, etc.), microplate manufacturer and size, reagent identity, reagent volume, reagent location (*i.e.* microwells within microplate), microplate seal type and microplate seal manufacturer. Although the present general embodiment describes the use of barcodes for sample containers, microplates and consumables, a wide variety of labels are envisioned by the invention for this purpose. These labels include one- and two-dimensional barcodes, simple text that the operator inputs to the analyzer via an interface, machine-readable text and radio frequency bar codes.

In addition to microplates and consumables, sample containers are also loaded via the door **110**. Alternatively a separated door may be used for loading samples and disposables used when dispensing samples (*e.g.* disposable single channel pipette tips). Samples are loaded in pre-barcoded containers that enable the analyzer to determine the requested tests on a per-sample basis with the barcoded containers being placed in the sample housing **113**, which may for example be a standard carousel for holding one or more sample containers. Barcodes are read either by a common scanning barcode reader **115** that is also used for reading microplate barcodes, or by a separate barcode reader (not shown) that is dedicated to reading sample container barcodes. In such a case, depending on the spatial arrangement of samples within the sample housing unit, individual barcodes can be read either by scanning or by physically moving the sample containers relative to the barcode reader. As described above, the means of interrogation of sample labels is not intended to be limited to barcodes.

Referring again to Figure 1, a liquid dispensing system **109** is provided within the analyzer **100** for transferring liquid reagents, calibrators, controls, standards and samples into a microplate well **210**. The system **109** may comprise a single robotic pipette or may comprise other liquid handling system configurations, such as a multichannel pipettor for dispensing from one microplate **200** to another and a single channel system for accurately dispensing sample. The liquid dispensing system **109** may employ air displacement, peristaltic, syringe, positive displacement, or other dispensing technologies. The dispensing head may employ disposable tips or may use a single tip that is cleansed in a washing station that is further included within the analyzer. In an embodiment characterized by a multichannel pipettor for microplate to microplate transfer and a single channel pipettor for sample dispensing, the single channel and pipettor is movable in at least two dimensions so that sample can be transferred from a sample container to a microplate well. The sample containers themselves may also be movable in one or more dimensions (or relative to one or more axes) so as to limit the number of dimensions of motion of the single-channel pipettor to two provided that the reaction microplate receiving the samples can be moved in a third orthogonal direction via the carrier tray transport system. Also in this embodiment, the multichannel pipettor is movable in at least one dimension (the vertical dimension). Motion of the multichannel pipettor in two or more dimensions may be preferable to enable the most rapid transfer of liquid between microplates.

The determination of liquid volumes in microplates and sample containers, which may be necessary to manage re-use of microwells containing reagents for more than a single assay, or for the accurate and

repeatability pipetting from sample containers with varying volumes, can be achieved via a variety of known methods. The volume of reagents consumed from a particular microwell on a reagent or standards microplate can be tracked by continuously subtracting the volume of aspirated liquid from the  
5 initial volume barcoded on the microplate for the microwell. Alternatively, physical means such as capacitive sensing pipettor tips can be employed. For the case of sample pipetting, the volume can either be determined by a physical contact means or alternatively by a non-contact means such as an ultrasonic displacement sensor. Alternatively, the sample volume can be  
10 barcoded according to a prior volumetric measurement.

The analyzer **100** also includes thermal incubation station **105** for maintaining the temperature of a microplate **200** at a fixed value for a time interval, which is typically done while an assay reaction is taking place. The incubator **105** is preferably an enclosed housing with a plurality of active heat  
15 sources and temperature sensors in order to establish and maintain a prescribed temperature with minimal thermal gradient among microplate wells **210**. This can be achieved following any one or many designs known in the prior art. The incubator **105** includes a carrier tray support for receiving a microplate housed on a carrier tray.

20 In a variation of the present embodiment, the incubation system **105** can be a passive thermal incubator, where the role of the incubator is to provide a constant (but not accurate) thermal profile among the wells of a microplate **200**. This is readily achieved by bringing a large thermal mass in close contact with the bottom surface of a microplate. The large thermal  
25 mass, unable to support thermal gradients, establishes a sufficient degree of thermal equilibrium among the microplate wells. As described in a pending

U.S. Patent Application entitled "**METHOD OF COMPENSATION OF DOSE RESPONSE CURVE OF AN ASSAY FOR SENSITIVITY TO PERTURBING VARIABLES**" and filed on January 19, 2006 with Ser. No. 11/334,739, (published as US Patent Publication No. 2006/XXX which is incorporated  
5 herein by reference in its entirety) such a device can be used to accurately perform assays provided that the global variation in temperature is compensated by recalibrating the assay using a signal dependent on temperature.

Figure 1 also shows agitation system **130** for providing adequate  
10 mixing of the reactants within the wells **210** of a microplate **200**. The agitator **130** includes a carrier tray support for receiving a microplate **200** housed on a carrier tray **130**. A broad range of known agitation means may be used in the analyzer of the present invention, including individually-addressable motorized orthogonal translation stages for providing any type of motion and also orbital  
15 motion systems involving circular motion constraints.

The general schematic of the invention according to Figure 1 further includes an optical signal detection system **107** for the measurement of an assay signal. The detection system **107** may employ any one or more of several known optical detection means, including, but not limited to,  
20 absorbance, fluorescence, luminescence, chemi-luminescence, electro-luminescence, time-resolved fluorescence, and fluorescence-polarization. The system **107** may employ a single scanning head for interrogating individual microplate wells **210**, or may comprise a scanning multichannel head for measuring a row or column of microwells **210** simultaneously. In  
25 other embodiments, the optical system **107** may employ a spatially fixed single or multichannel detection head, whereby individual microwells **210** are

scanned by moving the microplate carrier tray **130** relative to the fixed head via the carrier tray transport system **120**.

If the optical detection system **107** involves optical radiation being either detected from and/or directed onto the bottom surface of the microplate (which in turn requires that the reaction microplate itself has a transparent bottom surface), the carrier tray **130** for the reaction microplate must be open immediately below each microplate well **200**. This can be achieved by a single broad opening below each of the wells **210**, or by placing a through hole in the carrier tray **130** on a per-well basis. The latter scheme is advantageous in that if a sufficiently thick and thermally conductive material is chosen for the carrier tray **130**, then the carrier tray can assist in removing unwanted thermal gradients among adjacent microwells during incubation or optical detection. Such a scheme was recently disclosed as an important component of a forced-air photometer system in US Patent No. 5,307,144 issued to T. Hiroshi et al.

The use of distinct thermal incubation systems **105** and optical detection systems **107**, as shown in Figure 1, is advantageous for certain classes of chemical assays in which the assay signal during optical detection is not significantly sensitive to temperature. Examples of such assays are biochemical assays where a "stop solution" is employed to arrest a reaction prior to detection. However, there are numerous assay types for which the signal is highly sensitive to temperature fluctuations during detection. A prime example of such kinetic assays is the enzyme immunoassay (EIA), where the rate of absorbance change is measured. A preferred embodiment of the analyzer system **100** disclosed herein therefore includes a single combined detection and thermal incubation system (not shown). Incubation and optical



detection systems with a closed format and active thermal control are well known in the prior art and are commonly used within laboratory-based optical microplate readers. Alternatively, the incubator can be a passive thermal incubator as described above, which does not require a closed thermal environment. In such a case, either scanning the optical head or translation of the microplate carrier **130** relative to the optical head can be performed openly within the analyzer **100**, provided that a sufficiently low level of background light is maintained within the analyzer.

Finally, it may also be preferable for certain types of assays, particularly those involving separation of a solid phase, to add a washing subsystem to the aforementioned embodiment. Washing of a microplate **200** can be achieved via a wash buffer located in a supplementary microplate well or alternatively may be provided internally as a bulk wash buffer at a separate microplate washing station. It is noteworthy that the internal storage of a wash buffer does not depart from the goal of providing a system without the need for assay-specific internal reagent storage, since a wash buffer is generally common among a wide variety of assay formats.

In addition to the systems and stations described above, the analyzer **100** further includes an interface that allows for interaction between the operator and the analyzer. The interface can take many different forms including a remote computer interface or an integrated display and data input device. In a preferred embodiment, the interface is a touchscreen liquid crystal display. Furthermore, the analyzer preferably provides a means for transmitting test results, raw data, system statistics and other useful information to a separate computer system or data network. Preferred

embodiments of the transmission means include wireless and Ethernet devices and protocols.

The analyzer **100** further includes a microprocessor-based control system for automating the operation of assay protocols. The analyzer **100** includes firmware pre-programmed with a set of sample batch protocols and calibration batch protocols, where each batch protocol describes the sequence and precise timing of operations needed to perform one or more assays. In addition to providing the assay automation instructions, the batch protocols also include information relating to the types of microplates and consumables that are needed to perform the assays. For each sample batch protocol, there is a corresponding batch calibration protocol.

Unlike software that provides an operator with a means of directly configuring batch protocols, as is commonly provided in prior-art microplate analyzers, the assay firmware in the present analyzer **100** is resident within the processing system. In a preferred embodiment, the user interface provides a means for the operator to select pre-defined assay batch protocols but does not provide a means for the user to configure new assay batch protocols. Thus, preferably the user interface is configured in such a way so as to restrict an operator from programming the firmware.

The present automated analyzer **100** further includes a means for field-updating the firmware for the purpose of adding, removing or modifying batch protocols. For example, a new batch protocol can be added to the currently available batch protocols by a field technician using a communications port within said analyzer **100** that is connected to a computer. Such communications ports can include, for example, USB or serial ports. In a

preferred example, the analyzer **100** includes an internet connection (e.g. via an Ethernet or a wireless link) that enables a remote firmware upgrade.

Prior to performing automated assays for the determination of analyte concentrations in samples, it is first necessary to determine a dose-response curve for each assay to be measured. A calibration batch protocol run must therefore be performed prior to performing the corresponding sample batch protocol run on unknown samples. The steps that are taken when performing a batch calibration protocol run are shown schematically in Figure 3. The calibration batch protocol prescribes calibration assays involving known standards to produce and retain fitted dose-response curves for each assay. Calibration batch protocol runs are initiated by the operator by selecting a calibration run via the analyzer interface. The analyzer **100** then displays a list of available calibration batch protocols that may be run, showing to the operator the appropriate batch protocol name or number. After the operator selects the desired calibration batch protocol, the analyzer **100** will request that the operator load the required microplates and consumables for the run. These consumables may include a reagent microplate, a calibration microplate containing microwells having different concentrations of known standards, a reaction microplate, and disposable pipette tips.

The analyzer then performs the automated batch calibration run and obtains assay signals from standards with known concentrations for each assay in the calibration batch protocol. The signals and concentrations are fitted to known mathematical functions to obtain dose-response curves for each assay, as per the process steps prescribed in the calibration batch protocol programmed within the analyzer. The resulting calibration data is stored within the analyzer so that it can be accessed when performing the

corresponding sample batch protocol at a later time. In a preferred embodiment, the calibration batch protocol specifies a time interval over which the fitted dose-response curves are to be employed when analyzing subsequent sample batch protocol runs. After the specified time has elapsed, the operator is directed to initiate a new batch protocol calibration run.

Although the process steps required for obtaining dose-response curves can be programmed in entirety into the analyzer **100** via the calibration batch protocol, it may be preferable to supply the analyzer with information regarding the details of the curve fitting methods used to obtain dose-response curves. Such details may include parameters such as initial guess values for curve fitting and error checking parameters to ensure that the curve fitting is accomplished correctly. These details are preferably inputted to the analyzer system **100** via barcodes **222** on the microplates **200** employed by the calibration batch protocol, which allows the manufacturer of reagent microplates to pass such details to the analyzer **100** without the involvement of the operator.

The sequence of steps performed by the analyzer **100** when performing a sample batch protocol run is shown in Figure 4. The operator first barcodes all samples with information including the sample identity (e.g. a patient name or serial number) and a list of the assays to be performed on the sample. A sample run is then initiated by the operator selecting a sample run on the analyzer interface. The operator is subsequently instructed by the analyzer **100** to load barcoded samples into the analyzer.

The analyzer **100** reads the barcodes of all samples and compiles a list of all assays to be run by the set of samples. The analyzer **100** then cross-references the list of assays required by all the samples with the set of sample

batch protocols stored in the analyzer memory. The names and/or numbers of the different batch protocols compatible with the set of assays required by the samples are then displayed to the operator, who selects the appropriate sample batch protocol. The analyzer **100** then prompts the operator for the required microplates and consumables to perform the selected sample batch protocol, following which the sample batch protocol run is initiated by the analyzer.

The measurement of unknown samples via the analyzer results in a set of assay signals, from which the analyzer **100** must extract the correct analyte concentrations. This is achieved by using the dose-response curves obtained from a previously performed calibration batch protocol run, which are preferably stored within the analyzer memory. The dose-response curves enable the analyzer **100** to back-calculate the analyte concentrations from the assay signals, thus obtaining a determination of the analyte concentration in each sample assayed. These sample results are displayed or transmitted to the operator, completing the sample batch protocol run.

It is also possible to verify the performance of one or more assays that are contained within a given batch protocol by including controls in the sample housing. Such controls are processed identically to samples, and may include multiple analytes, in which case the control barcode would list all assays measuring the multiple analytes. It is furthermore advantageous for the analyzer to automatically make the determination of whether or not the results of the control assays meet the necessary performance criteria. Such criteria is advantageously entered into the analyzer via a direct means that does not involve the operator. In a one embodiment, the performance criteria is provided in the sample batch protocol. In other embodiments, the

performance criteria is entered via either the barcode on the control vessel or a microplate barcode. In such embodiments where the analyzer is automatically comparing the control assay results with performance criteria to determine the validity of an assay, the barcode on the control vessel preferably identifies the liquid as a control.

In the preceding description of the sample and calibration batch protocols, the protocols were considered from a general perspective and were not described in detail. Indeed, the present invention anticipates a wide variety of batch and calibration protocols involving different combinations of assays. In one embodiment, the batch protocols involve performing different assays sequentially, whereby samples are processed in parallel on a per-assay basis. In a preferred embodiment, the assays are performed on a microplate column- or row-wise basis so as to enable rapid multichannel dispensing of assay reagents.

A disadvantage with the former method of performing a batch protocol is that the entire reagent microplate is processed during the batch run, which may lead to unused and wasted reagents if number of samples is less than the maximum allowed by the batch. For example, a batch protocol may involve the automation of six different assays (see U.S. Patent Application Serial No. XXXX entitled "**MICROPLATE ASSAY KIT**" filed on February 28, 2006), published as US Patent Publication No. 2006/XXX which is incorporated herein by reference in its entirety.

The six assays are performed on a column-wise basis, with each assay utilizing two reagents per sample. The reagents are stored in the reagent microplate with one pair of columns per assay so that for any given assay, the first reagent is stored in the odd column and the second reagent is stored in

the even column. In each microwell **210** of the reagent microplate, there is a sufficient volume of reagent for dispensing into two microplate wells. The assays are performed in pairs of columns on the reaction microplate, so that up to sixteen samples can be processed per batch. If only one sample is  
5 loaded for analysis, then almost all of the reagents are wasted.

This problem can be circumvented by a batch protocol that utilizes an orthogonal approach in which samples are processed serially and assays are performed in parallel on a per-sample basis. For example, a batch protocol of this type may involve eight different assays. Assuming two reagents per  
10 assay, the reagents for an assay are stored along a given row of the reagent microplate, with the first reagent in the odd columns and the second reagent in the even columns. The assays are performed in parallel on a column-wise basis, where a single sample is processed in each column. Up to six samples can be measured using a given reagent microplate (alternatively, if a sufficient  
15 volume of reagent is present in each microwell of the reagent microplate to dispense into two microwells, then up to twelve samples can be analyzed with a single reagent microplate). If less than the total number of six samples is loaded at the commencement of a sample batch protocol run, then the analyzer can run a batch protocol that measures only the number of loaded  
20 samples. This can be done by a variable-size batch protocol that can perform any number of assays up to and including six.

In a preferred embodiment of a variable-size batch protocol, the analyzer microplate punch **111** only punches microwells **210** on the reagent microplate in an on-demand fashion. The reagents are therefore consumed  
25 on a per-sample basis and are not wasted if the number of samples loaded is less than the maximum allowed value. In such a case, it may be necessary

for the analyzer **100** to track the total time during which the reagent microplate remains within the analyzer as the shelf life of a reagent microplate housed in the analyzer is likely different from the shelf life of the microplate under normal storage conditions (e.g. at 4 degrees C). It is also important to note that if a  
5 partially-used reagent microplate is to be used in a subsequent variable-size sample batch protocol, the analyzer **100** should instruct the operator as to the number of samples that it can process before exhausting the reagent supply, number of available microwells or number of available disposable pipette tips. This is easily achieved by tracking consumption and alerting the operator as  
10 to the maximum number of allowable sample per batch when a new variable-sized sample batch protocol is initiated by the operator.

The preceding paragraph described a method of performing a variable-sized sample batch protocol. However, as described above, there must also be a corresponding calibration batch protocol in order to produce and retain a  
15 dose-response curve for each assay in the batch protocol. The calibration batch protocol corresponding to the variable-size sample batch protocol is also performed much in the same manner as in the sample batch protocol, with the exception that standards from a calibration microplate are pipetted in the place of samples.

20 In a preferred embodiment, assays are performed serially when performing a calibration batch protocol. One set of assays for a common analyte are performed in parallel, whereby a set of standards having concentrations of a common analyte are measured. This step is then repeated serially for all assays, facilitating the determination of dose-response  
25 curves for each assay. In this particular embodiment, the one or more



reagent microplates used by the calibration batch protocol may differ in format from the one or more reagent microplates.

In another embodiment, the batch calibration protocol assays are performed in parallel as in the variable-size batch protocol, whereby parallel  
5 assays are repeated a number of times with multiple standards with a known analyte concentration. The parallel assays are repeated until a sufficient number of standards have been measured to construct dose-response curves for the assays. In this embodiment, it may be feasible to use a common reagent microplate for both the variable-size sample batch protocol and the  
10 corresponding calibration batch protocol.

The calibration batch protocol specifies that this process is repeated with different analyte concentrations each time for each assay. The number of times that the parallel assays are repeated depends on the availability of reagents and microwells within the reagent and reaction microplates. For  
15 example, in the example considered in the previous paragraph, the parallel assays could be repeated six times, providing six different data points (assay signals and known concentrations) per assay for all eight assays. The resulting assay signals obtained from the different standards for each assay are mathematically fitted to obtain dose-response curves for each assay.

20 Having described a general embodiment of the inventive microplate-based automated analyzer **100** and its preferred methods of operation, a specific embodiment of the analyzer is now described. This embodiment is not intended to limit the scope of the invention, but rather serves to illustrate a preferred embodiment of its implementation.

25 Referring now to Figure 5, the outer body of an automated analyzer **300** is shown. The analyzer **300** is a compact, single-unit, bench-top device

that consumes minimal space in a small clinic or laboratory. The enclosure **305** is made from an opaque material that does not allow the transmission of light within the analyzer **300**. The analyzer **300** includes both a main analyzer system **310**, where microplates **200** are processed and assays are conducted, and a sample dispensing module **320**. In a preferred embodiment, the sample dispensing module **320** is detachable from the main analyzer system **310**, allowing the interchange of sample dispensing sections that are configured for different sample types or different sample container formats. The front panel **330** houses both a liquid crystal display (LCD) **340** and a retractable door **350** for loading the analyzer **300** with microplates and other consumables. The LCD **340** is preferably a touchscreen LCD that provides graphical and operator-friendly access to the analyzer's operation and status, as well as a means for the operator to input commands to the analyzer **300**. The analyzer further includes retractable sample loading door **360**, through which samples are loaded. A semi-transparent window **370** is also optionally provided, enabling the operator to monitor sample processing. If the window is partially transparent, then an optically opaque wall (not shown) is included within the analyzer **300** to separate the main analyzer system **310** from the sample dispensing module **320**. An internal door enables the automated transfer of samples from the sample dispensing module **320** to the main analyzer system **310**.

Figure 6 illustrates the main components of the analyzer **300** in block diagram form, as seen from the front of the analyzer. The analyzer **300** is loaded with reaction microplates where individual assays are conducted, reagent microplates and disposable pipette tip boxes. A loading arm **405** extends beyond the analyzer opening **410** and accepts microplates and

pipette tip boxes from the operator. Situated on the loading arm **405** is a microplate carrier tray that supports and holds microplates and disposable pipette tip boxes. The loading arm **405** can be withdrawn into the analyzer **300** for the internal transport and processing of the microplates and disposable tip boxes. As will be further described below, a carrier tray transport arm **415** engages with microplate carrier trays upon which microplates and pipette tip boxes are placed. A transport assembly **420** capable of horizontal and vertical motion is employed for the transport of carrier trays (engaged by the transport arm) within the analyzer **300** to various processing stations. All subsystems that involve linear motion are driven by stepper motors, preferably fitted with encoder systems for precise tracking of motion. For each motion system in a given spatial dimension, a reference position is established by an opaque finger that passes through a photo-interrupter.

A plurality of carrier tray processing and park positions is located within the analyzer **300**. Each carrier tray position provides a positioning means to assist in disengaging a carrier tray from the transport arm. These positions are arranged vertically within the analyzer to allow for random access. An open space, hereby referred to as the transfer zone **425**, is provided in front of the vertical arrangement of carrier tray processing and park positions to allow vertical transport of the carrier trays by the transport arm. The lowermost position is the optical detection station **430** where the optical signal produced within or modified by a microwell in a reaction plate can be measured.

Above the optical detection station **430** is the thermal incubator **435**, where reaction microplates are thermally incubated during an assay. The incubator incorporates an internal orbital vortexer **440** that provides agitation

during incubation. Above the incubator is a secondary vortexer **445** that enables simultaneous and independent agitation of a second microplate (reaction or reagent) outside of the incubator. Above the secondary vortexer lies the plate loader **405**, which when fully retracted from the analyzer door

5 **350** (Figure 6) functions as an additional park position for a carrier tray. Two additional fixed park positions **450** and **455** are also incorporated into the analyzer **300** and lie directly above the loading tray. Optical proximity sensors are included on the plate loader **405** and all park and processing positions for the detection of a carrier tray (in order to verify the present state of a batch

10 protocol and ensure that a carrier transfer was properly conducted). The park positions increase the potential throughput of the analyzer **300** and enhance the random access capability of the analyzer when performing complex assays with inter-plate pipetting.

Unlike traditional analyzers that often require a manual sample

15 preparation step, analyzer **300** includes an automated sample dispensing module that fully automates sample handling. The sample dispensing module is a sample-specific module that interfaces mechanically and electrically with the main body of the analyzer. It is therefore possible to interchange sample dispensing modules to suit the needs of a particular assay, sample type, or

20 sample container type.

The sample dispensing module incorporates a rotating carousel **460** that holds a plurality of sample containers. An automated linear pipette **465** is used to extract a precise volume of sample and transport the sample within the main analyzer system **310**, dispensing the sample into a well of the

25 reaction microplate. An optional probe system **470** performs additional measurements on the samples within the sample containers, such as liquid

level measurements or electrochemical measurements. Sample containers are identified by a bar-code reader that interrogates the containers as they are rotated. The operator therefore need only open the top of the sample container and place it on the sample carousel **460**, thereby eliminating the possibility of transcription errors and additional exposure to the sample by the operator.

Additional liquid handling, including the aspiration and dispensing of reagents and wash buffers, and also the dilution of samples and removal of waste, is performed via an 8-channel automated pipette **475**. The multichannel pipette is moved within the analyzer in the vertical and horizontal directions by stepper motors. A long vertical range allows the multichannel pipette **475** to access microplates located within the transfer zone **425** that lie between the optical detection position **430** and the position adjacent to the secondary vortexer **445**. With the assistance of the transport arm **415**, rapid pipetting between a reagent microplate located on the secondary vortexer and a reaction microplate at the optical detection position **430** is feasible.

The result of an assay is optically interrogated using a scanning optical head **480**. In one embodiment, the head **480** is either a single-channel beam than measures luminescence, fluorescence and absorbance. In another embodiment of the invention, the optical head is an 8-channel system that measures the absorbance of a row of eight microplate wells in parallel. The head moves relative to the optical detection position **430** either by scanning the optical head or scanning the optical detection position within a two-dimensional space. The generation of a narrowband excitation or absorbance beam and the filtering and detection of emitted light is performed remotely in

second optical subsystem **485** that is interfaced with the optical head **480** via flexible fiber-optic bundles **490**.

As described above, disposable pipette tips are used to simplify the operation of the analyzer and remove the need for tip washing. Shown in  
5 Figure 7 is a microplate tip box **500** containing 96 disposable tips **505**. A tip **505** is loaded onto the pipette by moving the pipette downwards onto a given tip (or set of tips in the case of a multichannel pipettor) and applying sufficient pressure. Following the use of a tip, it is disposed into the same location in  
10 the tip box by lowering the pipette tip into the selected tip receptacle within the tip box and ejecting the tip from the automated pipette.

In order to accommodate the accurate transfer of the microplates and the pipette tip box within the analyzer **300**, specialized carrier trays are used. Figure 8 shows a carrier tray **510** designed for use with reagent microplates. In the figure, a reagent microplate **515** is shown housed on the microplate  
15 carrier tray **510**. The carrier tray **510** includes three positioning bars **520** located on either side and to the back of the microplate **515**. Each positioning bar **520** further includes two lateral positioning structures **525** that are employed for the accurate positioning of a microplate **515**. The lateral structures butt against the outer microplate flange **530**. A plate clamping  
20 mechanism **535** is used to firmly and accurately press the microplate flange **530** against the positioning structures **525**. The clamping mechanism **535** is a spring-loaded angle-arm that is actuated by the operator to engage or disengage a microplate within the carrier tray **510**. Within the outer side of the  
25 two positioning bars **520** located to the sides of the microplate **515** are a first **540** and second **545** vertical recess. The two positioning bars **520** to the sides of the microplate **515** each further include a longitudinal gap **552**. These

vertical recesses **540**, **545** and longitudinal gap structures **552** are used to engage a carrier tray **510** with the transport arm. As will be described below, the transport arm incorporates lateral pins that support the carrier tray via the vertical recesses **540** and **545**. The carrier tray also incorporates two slots

5 **550** that mate with locating pins on a carrier tray support that receives a carrier tray within the analyzer. A similar carrier tray design is used to support and transfer a microplate disposable pipette tip box within the analyzer.

A second type of carrier tray is employed to support the reaction microplate. As previously mentioned, depending on the nature of the optical

10 detection system, it may be necessary for optical radiation to be collected from or directed onto the bottom surface of the reaction microplate **515**. This general requirement for access to the bottom of the reaction microplate **515** precludes the use of the carrier tray **510** shown in Figure 8, where a solid opaque surface lies below the microplate **515**. A preferred embodiment of a

15 reaction microplate carrier is shown in Figure 9 at **560**. The carrier tray **560** is very similar in design to that of Figure 8, with the exception of a plurality of holes **565** extending through the bottom surface of the carrier tray **560**. Each hole is located directly below a microplate well, enabling the unobstructed passage of optical radiation. In a preferred embodiment, the carrier tray **560**

20 is made of a thermally conductive material such as aluminum or copper.

In addition, the thickness of the carrier tray **560** is such that a sufficient thermal mass is provided to establish a substantial thermal equilibrium over the two-dimensional area below the microwells of a microplate supported by the carrier tray. Furthermore, the through holes **565** are located in a raised

25 section **570** of the carrier tray surface, in such a manner as to ensure the close proximity of the upper surface **575** of the raised section **570** to the

bottom surface of a microplate well. This is achieved by ensuring that the microplate flange **220** contacts only the outer surface **580** of the carrier tray.

The close proximity ensures that the microplate wells are exposed to the thermal equilibrium provided by the carrier tray surface, thereby substantially

5 reducing any thermal gradients that may initially exist among microwells on the supported microplate. In a further refinement of this embodiment, the diameter of the through holes **565** is sufficient to allow the necessary unobstructed passage of optical radiation, but less than the diameter of the bottom surface of the microplate well. This arrangement further improves the thermal interaction between the raised section **575** of the carrier tray and a  
10 microplate well.

Figure 10 shows a carrier tray support platform **600** that is used to accurately place a carrier tray at a selected park or processing position within the analyzer. The support employs two pairs of locating pins **605** and **610** to  
15 precisely fix the position of a microplate carrier tray. The front pins **605** engage with slots **550** on the microplate carrier tray as the carrier tray is lowered onto the support by the transport arm (further described below). The side-mounted pins **610** butt against the vertical edge of the right side of the microplate carrier tray **510**. A corner bracket **620** with spring-loaded cylinders  
20 **630** is used to firmly hold the carrier tray in place. The cylinders press against the sides of the carrier tray **560**, causing the carrier tray **560** to press firmly the carrier tray against the positioning pins **605** and **610** in both horizontal directions, ensuring that the carrier tray **560** is unable to move from its desired position during use. The springs (not shown), located within bracket **620** and  
25 behind cylinders **630**, also allow easy installation and removal of a carrier tray **560** by the transport arm.



Prior to inserting a microplate **515** or pipette tip box **500** within the analyzer **300**, the operator first places the microplate or pipette tip box on a corresponding microplate carrier tray **560** or pipette tip carrier tray. The carrier tray **560** is then placed inside the analyzer **300** via a plate loader that emerges through the analyzer opening **410**. The loading arm **405** is shown in greater detail in Figure 11 and includes a platform **640**, a bracket **645** and a vertical bar **653**. The loading arm **405** is shown supporting an empty pipette tip box **648**. Integrated into the platform **640** is a carrier tray support **650** for receiving a carrier tray **560**. As previously described, the carrier tray **560** is accurately held in position by positioning pins **652** and two spring-loaded cylinders in a corner bracket (not shown in the drawing). The bracket **645** and vertical bar **653** position the platform **640** in a suitable position relative to a fixed guide rail (not shown) within the analyzer. A second bracket **660** attached to the vertical rod **653** allows a second horizontal guide rail (not shown) to support the plate loader via a mating slot **665**. The mating slot **665** provides a means for the loading arm **405** to slide horizontally along the guide rail, whereby the portion of the platform **640** containing the carrier tray support **650** can be made to protrude through the analyzer door **410** for access by the operator.

A stepper motor **670** operates a rack and pinion drive system for automating the horizontal motion of the loading arm **405**. The pinion **675** engages with teeth on a horizontal rack (not shown) for this purpose. As front of the platform **640** of the plate loader assembly is brought in contact with the inside of the analyzer door **410**, the door is opened and held in place by an internal spring mechanism. The force of the spring mechanism causes the door **410** to close upon the retraction of the plate loader assembly. The

complete closure of the door **410** is detected by an internal Hall sensor. A safety plate **680** blocks access of the operator to the internal area of the analyzer when the loading arm is extended through the door, protecting the operator from internal moving parts and ensuring the integrity of the analyzer.

5           Upon retraction of the loading arm **405** into the analyzer **300**, a barcode reader **685** scans a barcode **222** (Figure 2) affixed to the rear side of the microplate **220**. A horizontal slot **690** in the safety plate **680** provides the necessary visibility of the barcode **222** to the barcode reader **685**. The information obtained by scanning the barcode **222** is used to verify that the correct microplate or other consumable was loaded, as per the requirements of a particular batch protocol to be executed by the analyzer **300**. In a preferred embodiment, a carrier tray proximity sensor (e.g. an optical or Hall sensor) resides behind the safety plate **680** and detects the presence or absence of a carrier tray **560** through a second slot in the safety plate **680**.

10           The carrier trays **560** and accompanying microplates or pipette tip boxes are transported to different park and processing positions within the analyzer **300** via a transport arm assembly **700** shown in Figure 12. The transport arm assembly **700** contains a set of parallel horizontal transport arms **705** that engage with a carrier tray via a pair of support pins **710**. A carrier tray **560** housed on a carrier tray support **600** is by engaged by the transport arms **705** by first positioning the transport arms so that the front set of support pins **710** lie in front of the lateral positioning bars **520** (see Figure 8) and the rear support pins **710** pass through the longitudinal gaps **552** in the lateral positioning bars **520**. The transport arms **705** are then moved forward until the support pins **710** are positioned immediately below the vertical recesses **540** and **545** (see Figure 8) on the lateral positioning bars **520**.

Finally, the transport arms **705** are raised, bringing the support pins **710** into the vertical recesses **540** and **545** and thereby lifting the carrier tray out of the carrier tray support. By applying sufficient vertical force, the carrier tray **560** presses upon the spring-loaded cylinders **630** in the carrier tray support **600** and is subsequently disengaged. A carrier tray **560** may be placed onto a carrier tray support by reversing the sequence of the aforementioned procedure.

The transport arms **705** are connected by a lateral bar **715**, which is attached to a platform **720**. The platform **720** is moved in the horizontal direction along a guide rail **725**. A rack-and-pinion system (hidden behind the platform **720** in the figure), driven by a stepper motor **730**, is employed to automate the horizontal motion of the platform **720**.

A finger and photo-interrupt sensor (not shown) are used to establish a reference horizontal position of the platform **720**. The horizontal drive system is attached to a second vertical platform **735**, which is constrained to move in the vertical direction by guide rail **740**. The vertical platform **735** is moved along the axis of an ACME screw **745** by a second stepper motor **750** for high vertical resolution. A second finger (not shown) and photo-interrupt sensor **755** are used to establish a reference position in the vertical direction. The two degrees of freedom provided to the transport arms **710** by the two motors **730** and **750** enables the placement of carrier trays in numerous park and processing stations within the analyzer **300**.

The aspiration and dispensing of liquids from one microplate **200** to another is performed via an automated multichannel pipette assembly **800**, shown in Figure 13. The automated pipette **805** is an eight-channel air displacement pipette that is commercially available and readily integrated into

the analyzer. The multichannel pipette **805** is interfaced to the analyzer processor for automation and is capable of aspiration, dispensing and tip ejection. Pipette tips **808** are attached to the multichannel pipette **805** by lowering the pipette downward onto a row of a pipette tip box and applying sufficient vertical force. Upon raising the multichannel pipette **805**, the tips remain attached to the pipette via frictional forces. The tips are ejected by a sheath (not shown) that plunges downwards and pushes on the flange at the proximal end of the tip. The automated pipette is attached to platform **810**, which slides vertically along a guide rail **815**.

A stepper motor **820** controls the vertical motion of the platform **810** along an ACME screw **825** for precise displacement control. The vertical assembly is attached to a second horizontal platform **830**, which slides along a second guide rail **835**. The guide rail **835** is mounted on a second fixed horizontal platform **840**. The horizontal motion of the pipette **805** is controlled by a second stepper motor **845** that operates a belt and pulley system **850**.

Referring to Figures 6 and 13, the horizontal degree of freedom enables the multichannel pipette **805** to move in and out of the transfer zone **425**, where it can aspirate from or dispense into reagent and reaction microplates and access disposable tips in a pipette tip box positioned in the optical detection position **430**. Alternatively, the pipette system can access microplates held by the transport arm assembly **700** (Figure 12) that are situated above the optical detection position **430** and below the vertical position adjacent to the secondary vortexer **445**. The fine pitch of the ACME screw **822** ensures that sufficient vertical resolution is afforded to the pipette **805** for the accurate placement of a pipette tip **808** within a microplate well.

Although the 8-channel automated pipette **805** is designed primarily for 96-well microplates such as microplate **200** in Figure 2, it can also accommodate liquid handling for a 384-well microplate if additional throughput is desired. This is achieved by adding a translation stage (e.g. a rack-and-  
5 pinion drive system) that moves the multichannel pipette **805** in a direction that is parallel to the row of individual pipettes. In this manner, the 8-channel pipette **805** first addresses rows 1, 4, 8, 12, 16, 20, 24, 28 and 32, and then rows 2, 5, 9, 13, 17, 21, 25, 29, 33, and so on. The additional motorized translation stage must provide sufficient precision and accuracy to place the  
10 pipettes within the centers of the small wells **210**.

After loading a sealed microplate **200** into the analyzer **300**, the seal must be broken before the multichannel pipette **805** can be used to aspirate internally stored reagents or standards. Many methods of piercing microplate seals are known in the prior art, including the use of single and multichannel  
15 piercing tools and the use of pipette tips. The piercing of a microplate seal in the present analyzer is preferably accomplished using a row of puncture pins suitably designed to minimize the punching force and create a sufficient opening for subsequent insertion of a pipette tip. Figure 15 shows a preferred embodiment of such a punch tool. The punch tool **860** comprises a main  
20 housing **865** into which a series of puncture pins **870** are fixed. The puncture pins **870** may be separated or joined together to form an integrated array. Each puncture pin **870** is housed in an individual hollow shaft, although the pins may be mutually connected as described above. The puncture pins **870** preferably have a distal end that is chiseled with three or more facets, where  
25 adjacent facets meet along sharp lines that meet at a common vertex. This encourages the formation of cut lines in a sealed surface upon piercing action,

and reduces the risk of a misaligned pipette tip experiencing a large compressive force from an unpierced section of the seal surface during subsequent aspiration from a locally pierced microwell.

5 The piercing tool **860** further includes a compression bar **875** that is connected to the main housing **865** via two spring-loaded rods **880**. The compression bar **875** is normally forced outward by the force of the internal springs, as shown in Figure 14. However, when the tool is directed downwards onto the sealed surface of a microplate (so that the puncture pins **870** are aligned with the axes of the microwells within a chosen column), the compression bar **875** impinges upon the upper surface of the microplate and makes contact with the upper flanges of the individual microwells. As the piercing pins **870** descend through the seal and into the microwells, the compression bar **875** is forced upwards towards the main housing **865** and the puncture pins **870** move through the plurality of holes **885** in the compression bar **875**. If the puncture pins **870** are maximally extended into the microwells, the compression bar **875** comes into contact with the lower surface of the main housing **865**. Such a situation is shown in Figure 15, where the compression bar **875** is fully compressed against the main housing **865** (the microplate is not shown in order to provide a view the puncture pins). As the puncture pins **870** are withdrawn from the microwells, the compression bar **875** advantageously maintains a downward force on the microplate until the puncture pins **870** have been fully withdrawn. This compressive force ensures that the microplate is not lifted out of its carrier tray during the removal of the puncture pins **870**.

25 In a preferred embodiment, the punch tool **860** resides within the analyzer and is transported via the multichannel pipettor **805** in a piggyback

fashion. Such an arrangement is illustrated in Figure 16, where the punch tool **860** is shown connected to the multichannel pipettor **805**. The punch tool **860** may be permanently mounted to the pipettor **805** (provided that sufficient spatial clearance is provided for picking up pipette tips) or alternatively the punch tool may be removable from the pipettor. In an exemplary embodiment, the punch tool **860** temporarily adheres to the pipettor **805** via a mating bar **890** that resides between the multichannel pipettor **805** and the platform **810**. The mating bar **890** contains at least one permanent magnet recessed inside its bottom edge **892**. The permanent magnet attracts a similar permanent magnet (with opposite polarity) recessed within the upper surface of the support bracket **894** of the punch tool, whereby the force of attachment is sufficient to maintain the connection during all required punching operations. The punch tool may be dropped onto a holder within the analyzer by contacting the extensions **896** of the support bracket **894** with protrusions on the holder (not shown) and applying sufficient force to disengage the magnets.

Figure 17 shows the vortexer subsystem **900** employed in the analyzer **300**. The vortexer **900** employs a stepper motor **905** to impart an orbital motion to a microplate. The stepper motor **905** directly rotates a drive pulley **910**, which in turn drives a slave pulley **915** via a belt drive. The slave pulley **915** is coupled to a shaft **920** that rotates about its primary axis. The shaft **920**, which extends upwards from the slave pulley **915**, is held by a bearing housed within a flange **925**.

The shaft **920** is shown separately in Figure 18 and includes a plurality of axial sections. The slave pulley **915** attaches to the distal end of the axial shaft section **930**. A nut threads onto the neighbouring axial section **935** to

provide a means for vertically stabilizing the shaft within the flange **925**.

Bearings within the flange contact the elongated section of the shaft **940**. A

wide collar **945** also enables vertical confinement of the shaft within the flange

and provides a surface for the attachment of a position-sensing finger **950**

5 (see below). The axial sections **930-945** share a common axis (the primary axis) about which the shaft rotates when actuated by the stepper motor **905**.

The final axial section **955** has its axis radially offset from the primary axis in order to provide an orbital motion. In the embodiment shown in Figure 18, the

off-center section **955** of the shaft **920** has a diameter of 10 mm and a radial

10 offset (and hence orbital radius) of 0.5 mm. In a preferred embodiment, the orbital radius lies within 0.5 and 7.5 mm.

Referring again to Figure 17, a position-sensing finger **950** attached to the axis of the shaft **920** is employed to establish a reference angular position and monitor the orbital frequency of the vortexer. The finger passes through a

15 photo-interrupt sensor **960** that is mounted on a separate bracket **965**. An additional carrier tray proximity sensor **976** detects the presence or absence of a carrier tray on the carrier tray support **970**.

The motion of the upper off-center section **955** of the shaft **920** is transferred to a carrier tray support **970** via a horizontal linkage **972**. An

20 additional fixture **974** that contains a bearing couples the linkage **972** to the off-center shaft **920**. The bearing smoothly transfers the motion of the off-center shaft to the linkage while completely decoupling the rotary motion of the shaft.

The motion imparted from the shaft to the carrier tray support **970** is

25 constrained to an orbital form via a pair of translation stages located below the carrier tray and attached to the vortexer platform **980**. This can be further



understood with reference to Figure 19, which shows only the platform **980** and the translation stages, with the rest of the vortexer components artificially removed. The orthogonal translation stages comprise a first rail **982** fixed to the upper surface of the platform **980**. A movable carriage **984** slides freely  
5 along the longitudinal axis of the rail **982**. A bracket arm **986** is attached to the upper surface of the movable carriage **984** and also supports a second orthogonal rail **988**. The bracket arm **986** does not directly contact the upper surface of the platform **980**. A second movable carriage **990** moves freely along the longitudinal axis of the second rail **988**. Finally, the lower surface of  
10 the carrier tray support **970** (shown in Figure 17 only) is connected with the upper surface of the second movable carriage **990**. In this configuration, the orbital motion of the axis of the off-axis section **955** of the shaft **920** is directly imparted to the carrier tray support **970** via the constraints imposed by the translation stages. Furthermore, the orbital radius of the carrier tray support  
15 **970** is equal to the radial offset of the two shaft axes **940** and **955**.

Also included in the analyzer **300** is a thermal incubator that provides a closed environment with precise temperature control. Figure 20 shows the incubator **1000** housing a carrier tray support **1005**. The incubator **1000** lies immediately below the vortexer system **900**, whereby the vortexer platform  
20 **980** is located above the upper surface **1010** of the incubator **1000**. The incubator may be outfitted with insulating foam sheets (not shown) for enhanced thermal isolation. Attached to the top surface **1010** of the incubator enclosure is a heating element. The upper heating element is preferably a thin kapton surface heater, but may also be replaced with other heater  
25 technologies known in the art.

For example, a Peltier thermo-electric cooler can be included in place of or in addition to the heaters to enable cooling of the oven. Alternatively, forced air can be employed for rapid cooling and accurate temperature control. Within the incubator **1000**, a second vortexer, the internal vortexer, supports a carrier tray **1005**. The internal vortexer enables orbital agitation of a reaction microplate during incubation, which is required for some assay types. The vortexer linkage emerges through the back wall of the incubator and is attached to a shaft as in Figure 17. As previously described, the shaft is rotated by a stepper motor that drives a dual pulley system. In the embodiment shown in Figure 20, the axle assembly **1015** (including the motor, pulley system, flange and brackets) is inverted relative to main vortexer axle assembly **1020**.

A retractable door (not shown) opens the incubator **1000** for the insertion of a microplate-loaded carrier tray by the transport arms **710**. The internal carrier tray support **1005** that forms the top surface of the internal vortexer also includes a rectangular metal platform (not shown) that acts as a large and uniform thermal mass directly below the microplate wells. In a preferred embodiment, the top surface of the metal platform lies within 1 mm of the bottom surface of a reaction microplate well. A second heater is placed below the secondary platform in order to provide a more uniform temperature distribution.

In a preferred embodiment, the heater is directly attached to the bottom surface of the carrier tray support **1005**, enabling a direct path of low thermal resistance to the metal platform. In a less preferred embodiment, the heater is applied to the bottom surface of the horizontal platform of the internal vortexer. The internal temperature of the incubator is regulated via feedback

from a collection of temperature sensors placed within the incubator **1000**. In a preferred embodiment, there are at least two temperature sensors on the incubator side walls and two temperature sensors both above and below the microplate.

5           Figure 21 shows an embodiment of the optical detection station **430**. The station comprises a platform **1100**, through which a broad opening **1105** exists to enable the passage of optical radiation to or from the bottom of a microplate to a scanning optical head located below the platform **1100**. The platform is supported by four spacer rods **1110**, which provide a sufficient gap  
10 below the platform to allow for the passage of a scanning optical head. The platform **1100** further includes a carrier tray sensor **1115** for detecting the presence or absence of a carrier tray, and a collection of temperature sensors **1120** for the purpose of measuring the local temperatures and thermal gradients. A set of guiding pins **1125** enables the precise positioning of a  
15 carrier plate on the platform **1100**. In this embodiment, the carrier plate is preferably further held in place via the transport arms **710**.

In order to enable the use of a parametric solid phase for sample extraction, DNA extraction, DNA assays or heterogeneous immunoassays, one embodiment of the invention incorporates a magnetic separation array  
20 into the carrier tray support of the optical detection station. Figure 22 shows the modified optical detection station **1150**, which includes a magnetic carrier tray support. The carrier tray support is in this embodiment shown with a corner positioning bracket **1155** with spring-loaded cylinders **1160** and four  
positioning pins **1165** for the accurate placement of a carrier tray. In the  
25 figure, a microplate carrier tray **1170** (without a microplate) is shown engaged with the carrier tray support. The microplate carrier tray in this embodiment

does not contain a plurality of through holes for each microplate well, but instead a single large rectangular aperture.

Unlike the carrier tray shown in Figure 10, the magnetic carrier tray of Figure 22 includes a raised rectangular area **1175** that emerges through the aperture in the microplate carrier tray. An array of 96 holes **1180** with a diameter sufficient to allow the passage of optical radiation is provided within the raised rectangular area **1175**.

An array of thin magnetic rods **1185** is placed within trenches that lie between rows of holes **1180**. In a preferred embodiment, the magnetic rods and have a width of less than 3 mm and a depth of less than 2 mm to prevent the shadowing of emission light from a liquid sample within a microplate well. The thickness of the rectangular area supporting the array of magnetic rods is preferably less than 3 mm for this same reason. The top surfaces of the magnetic rods **1185** all lie in the plane of the top surface of the raised rectangular area **1175**.

In a preferred embodiment, these top surfaces are coplanar with the bottom surfaces of the microplate wells when a microplate is placed on the carrier tray. In this manner, the magnets **1185** are disposed as close as possible to a magnetic solid phase that is present within a microplate well. The magnetic field within the well then acts on the magnetic solid phase, drawing it to the side of a well that is closest to the neighboring magnetic rod. The local concentration of the solid phase at a specific region within the well then provides an effective means for separating the solid phase from the liquid by aspirating the liquid with a pipette. The solid phase may then be washed by dispensing a wash buffer into the well and, if required, re-suspending the solid phase within the liquid using the vortexer. If the

absorbance, fluorescence or luminescence of the liquid is needed for the measurement of an assay result, the magnetic platform can be used to draw the interfering solid phase away from the bulk liquid for an accurate optical measurement.

5           In order to overcome the disadvantages of sample handling methods in the prior art, the specific embodiment of the invention incorporates a fully automated sample dispensing module. This module enables the automated transfer of a precise sample volume from an original sample container into a well of a microplate within the main analyzer system **300**. This separate  
10           module interfaces mechanically and electrically with the main body of the analyzer and is specific to a type of sample container. A separate sample dispensing module may be used for different sample types or sample containers as necessary. For example, individual modules may exist for samples comprising blood, urine or saliva. If the operator wishes to perform  
15           analysis on a new sample type, the current sample dispensing module is replaced with the sample dispensing module that supports the new sample type. The mechanical interfacing preserves a light-tight analyzer interior for optimal optical performance.

          A preferred embodiment of the sample dispensing module is  
20           henceforth disclosed via a non-limiting example involving the analysis of urine samples. In this particular example, the sample dispensing module supports both microplate assays performed within the main analyzer system **300** and also provides an ion selective electrode probe station within the sample dispensing module.

25           A urine sample is collected in a standard sample bottle **1200**, shown in Figure 23. Affixed to the side of the bottle **1200** is a bar code label **1205** that

uniquely and confidentially identifies the sample and also provides a list of assays to be performed on the sample. Sample bottles **1200** are placed in a sample carousel **1210**, shown schematically in Figure 24. The carousel **1210** contains two azimuthal rows of cylindrical recesses **1215** that accept up to 19  
5 barcoded standard sample bottles **1200**. In addition to the 19 sample bottle recesses **1215** are three central recesses **1220** that also accept standard bottles **1200**. A tray of disposable pipette tips may be inserted into a rectangular recess **1225** within the carousel **1210** to provide a clean tip to the dispensing pipette each time a new sample is aspirated.

10 A radial slot **1230** is provided in each sample bottle recess **1215** within the two azimuthal rows of samples (positions 1-19). Slots **1230** provide a clear field of view of the barcode **1205** of a given sample bottle **1200** with respect to a barcode reader. The barcode reader (not shown) is placed adjacent to the sample carousel **1210** and is positioned with its optical beam  
15 directed radially inwards. Barcodes of different sample bottles **1200** are interrogated by rotating the carousel **1210**. It is noted that this scheme requires the sample bottle **1200** to be positioned with its barcode label facing radially outward from the carousel **1210**. This condition can be ensured by prompting the operator to adjust the orientation of the bottle **1200** if the bar  
20 code label cannot be properly read. In an alternative embodiment, a small wheel is brought in contact with the sample bottle when the bottle **1200** is positioned directly in front of the bar code reader. This wheel is rotated by a motor, which in turn causes the bottle to rotation within its cylindrical recess. The bottle is rotated until the bar code can be read by the reader.

25 Referring to Figure 25, a precise volume of sample is aspirated from a selected container in the carousel **1210** via a single automated pipette **1250**.

The pipette **1250** is housed on an assembly **1260** shown in Figure 25. The assembly **1260** provides the two-dimensional degree of motion required for the pipette **1250** to aspirate the sample, translate it into the main analyzer body, and dispense it into a microplate well. The assembly **1260** is moved in the horizontal direction via a stepper motor **1265** that drives a belt **1268** and pulley **1270** system. A horizontal guide rail **1272** confines the motion of a vertical plate **1274** along the horizontal direction. A clamp **1276** behind the vertical plate couples the horizontal motion of the belt **1268** to the vertical plate **1274**. Disposed on the plate is vertical guide rail **1278**. The vertical guide rail **1278** precisely confines the motion of a vertical slide **1279**. The slide is vertically supported by a nut **1280** that is threaded onto an ACME screw **1282**.

A motor **1284** controls the motion of the vertical slide **1278** and hence the pipette **1250**. Attached to the vertical slide **1279** is a horizontal standoff **1286** that supports the automated pipette **1250**. The standoff **1286** allows the pipette **1250** to traverse the area between the sample dispensing module and transfer zone **425** within the main analyzer system.

A second assembly in the sample dispensing module is the probe assembly **1300**, shown in Figure 26. Like the pipette assembly **1260** described above, the probe assembly **1300** provides two degrees of motion to an electrochemical probes **1305** and an ultrasonic level sensor **1310**. The probe assembly **1300** consists of a motor **1312** that drives a belt **1314** and pulley **1316** system. A horizontal guide rail **1320** confines the motion of a vertical plate **1325** along the horizontal direction. The vertical plate **1325** also supports a vertical guide rail **1330**. Four ion selective electrode probes are attached to a vertical slide **1335** that is confined by the vertical guide rail

**1330.** An ultrasonic level sensor **1310** also attached to the vertical slide, provides an accurate measurement of the liquid level displacement in order to submerge the ion selective probes and pipette tip to a chosen depth. A second stepper motor **1340** and ACME screw **1345** system control the vertical motion of the ion selective probes and level sensor **1310**. The level sensor **1310** is positioned adjacent to the probes, but at a higher vertical position in order to prevent wetting of the level sensor **1310** while the probes are immersed in a sample. The assembly **1300** therefore allows the placement of electrochemical probes within a chosen sample container via vertical motion. The horizontal motion provides a means of addressing sample locations at different radii on the carousel **1210**.

Although the central three recesses **1220** in the carousel **1210** (Figure 24) preclude barcode scanning, they can be preferably used as locations for storing wash solutions for the ion selective electrodes. If the wash solutions need to be identified, the measurement of sample volume via the liquid level sensor **1310** provides a potential identification means. This can be achieved, for example, by providing the operator with three wash bottles, each having different known volumes that the analyzer can measure and identify. In another embodiment, one or more of the central recesses **1220** can be employed for the housing of a wash container that contains a probe cleaning solution, for example, for the removal of accumulated protein from the ion selective probe membranes. Such a specialty wash solution may produce a clearly recognizable set of signals from the ion selective probes, which can be used to identify the location of the specialty wash solution.

The sample dispensing module, as an integrated subsystem, is shown from above in Figure 27 and from a diagonal view in Figure 28. The carousel



1210 loaded with pipette tips 1400 rests on top of a removable tray 1405 with a handle 1410. The handle enables the operator to slide the carousel out of the sample dispensing module housing for the loading of sample bottles. A motor beneath the removable tray drives a pulley system with a timing belt for accurate control of the carousel rotation (not shown). The timing belt connects the motor axle (not shown) to an axle (also not shown) located beneath the center of the carousel. A circular support provides a means of repositioning the motor in order to remove any accrued slack in the timing belt. A bar code reader 1415 interrogates the barcode labels of sample bottles. An additional receptacle 1420 is provided for storage of the electrochemical probes. The sample pipetting assembly 1260 allows the horizontal and vertical translation of the automated pipette from a sample bottle to a microplate within the main body of the analyzer. The probe assembly 1300 translates the electrochemical probes and ultrasonic level sensor at an angle relative to the pipette motion. The probe and level sensor are thus moved in such a manner as to access all sample bottle locations (including the three central positions) in the carousel and the storage receptacle 1420. A metal frame 1425 supports the assembly enclosure (not shown), supports the pipette and probe assemblies, and provides a means of mechanically interfacing the sample dispensing module with the side wall of the main analyzer system.

The analyzer incorporates an optical system for the measurement of an optical signal produced or modified by a microwell in a microplate. In a preferred embodiment, a multimode compact optical head is employed to provide measurements of absorbance, fluorescence and luminescence. This preferred optical system 1500 is shown in Figure 29, where the compact

optical head **1502** is pictured on a horizontal platform **1504** that enables the head **1502** to be scanned in a two-dimensional plane directly beneath the optical detection station **430** (see Figure 6). The details of the compact optical head **1502** are disclosed in co-pending United States Patent

5 Application entitled "**OPTICAL SYSTEM**", filed on December 7, 2004 with Ser. No. 11/005,325, published as US Patent Publication No. 2004/XXX which is incorporated herein by reference in its entirety.

The optical head **1502** is fed with two fiber optic bundles **1510** and **1515** (the bundles are truncated in the figure). The upper bundle **1510**

10 delivers a spectrally filtered beam of light for either the excitation of a fluorophore or the measurement of absorbance in a microplate well. This light beam is redirected vertically in the head **1502** and is focused to a small spot within the microplate well. In a preferred embodiment, the beam is gently focused with a numerical aperture of less than 0.20 to a spot size of less than

15 2 mm in the center of the microwell.

The optical head **1502** also collects light radiated from the microwell, either as fluorescence or luminescence. Within the head **1502**, the light is collimated, redirected into the horizontal direction, and refocused onto the emission bundle **1515**. The emission bundle **1515** routes the emitted light to

20 a remote location within the analyzer for subsequent filtering and detection. The power of the light beam that is transmitted through the sample is directly measured (with no additional lensing) by a large-area detector mounted beneath a circuit board **1520** that is disposed above the optical head **1502**. In a preferred embodiment, the detector is a large-area silicon detector that

25 captures the full power of the transmitted beam. A bracket **1522** supports the

absorbance circuit board **1520** and provides sufficient clearance to suspend the detector above a microplate with no mechanical conflicts.

5 The entire optical subsystem **1500** is scanned in a two-dimensional plane using a combination of two stepper motors and a rack and pinion system. In the figure, only one stepper motor **1524** and one pinion **1526** are shown. The second motor, both racks and the second pinion are placed beneath the horizontal platform **1504**. Two guide rails mounted in an orthogonal configuration are employed to accurately confine the linear motion of the assembly. Although other drive systems known in the art may be used to scan the optical head, the dual rack and pinion scheme is preferred for its accuracy and stroke. Factory calibration of the position of the focus within a microplate well ensures that the beam may be placed accurately at the center of all microplate wells for a wide range of microplate types.

15 In the aforementioned preferred embodiment, the optical head **1502** is scanned beneath a microplate that is held in the optical detection position. This embodiment has the advantage of not disturbing the sample during scanning, which can cause errors due to the motion of the liquid meniscus or the generation and motion of bubbles. The degree of freedom afforded to the head also enables the measurement of a wide variety of microplate form factors and is adaptable to both 96 and 384 well microplates.

20 As previously discussed, many other embodiments known to those skilled in the art are possible, and may indeed be better suited to some select assays. In particular, if the measurement of fluorescence or luminescence is not required, than it may be preferential to instead incorporate an eight-channel absorbance beam delivery system as known in the prior art. In this scheme, optical power from a single source is split among eight separate legs

of a fiber optic bundle and an eight-channel detector array is used to detect each beam simultaneously and independently. The array is scanned across all rows of a 96 well microplate. This system advantageously allows rapid parallel scanning of microplate wells, which for example may be useful in enzyme-based measurements where kinetic measurements are necessary. Although only eight columns are measured at a time, the system is adaptable to a 384 well microplate by providing an additional scanning dimension in the horizontal plane.

Finally, it is also noted that other embodiments in which the microplate is translated relative to a stationary optical head or optical absorbance array are also envisioned as part of the invention. Such schemes simplify the optical path and may remove the requirement for and expense associated with fiber optic bundles by allowing the source and detector systems to be directly integrated with the optical head **1502**.

The aforementioned optical head **1502** is used to deliver the incident optical light beam onto the sample within the microplate well and to either measure the absorbed power or collect the emitted fluorescence or luminescence from the contents of the microwell. A separate and remote source and detection subsystem is also disposed within the analyzer. This subsystem **1600** is shown in Figure 30 with the outer light-tight covering removed, and with all components mounted on a common horizontal base **1605**.

The subsystem incorporates a pair of rotating wheels **1610** and **1615** that house a plurality of fixed-wavelength optical filters **1620**. Filters are held in place by set screws that butt against the filter holder and can be individually removed by the operator. A photosensor **1622** is used to detect the presence

of a notch **1624** in the outer flange of the filter wheel **1615** in order to calibrate the position of the filters relative to a fixed optical axis. In another embodiment, magnetic sensors are used as the sensing element since they advantageously do not generate any stray infrared light.

5           The filter wheels **1610** and **1615** are rotated by stepper motors, one of which **1625** is shown in Figure 30. Both stepper motors reside in mechanical fixtures **1628** and **1630**. A halogen lamp (the socket **1635** is shown in the figure) is held in place by clamping flange **1640**. The clamping flange **1640** allows the operator to easily remove a burnt out lamp and install a  
10 replacement lamp. In a preferred embodiment, the lamp has a pre-focused base with an accurate diameter and a reference slot that mates precisely with features in the lamp housing **1645**, which is itself attached to the motor fixture **1628**. This in turn enables the accurate positioning of the lamp filament at the focal point of an aspheric condenser lens that is also placed within the  
15 housing **1645**.

A vertical tube **1650** connected to a horizontal tube **1655** above the lamp **1635** provides a convective path for airflow around the lamp and also scatters all waste light out of the optical system. A flange **1660** provides a means for suspending the horizontal tube **1655** above the lamp by attaching  
20 the tube to the outer wall of the subsystem (not shown). The condenser lens within the lamp housing **1645** collimates the light emitted by the lamp and directs it along the optical axis passing through the excitation filter wheel **1615**. This filter wheel **1615** serves the dual purpose of acting either as a filter for the excitation of a fluorophore within a microplate well or for the  
25 generation of a narrowband incident beam for absorbance measurements. After passing through the filter wheel **1615**, the collimated and filtered beam

encounters a focusing lens housed within a tube **1665**. The tube **1665** is supported by a vertical mount **1668**. This tube **1665** also supports the ferrule of a fiber optic bundle, onto which the light beam is focused.

The fiber optic bundle is preferably made from a collection of individual  
5 fibers that are arranged with a cross-sectional profile that is identical to the image of the filament that is formed on the bundle end face. In a preferred embodiment, the bundle is bifurcated into two legs. One of the legs delivers the optical power to the optical head assembly **1500**. The second leg routes optical power back to the source and detector subsystem, where the power is  
10 measured in order to provide a means for eliminated deleterious signal variations caused by changes in the lamp power or changes in the position or shape of the filament image. This second source of optical power is henceforth referred to as the reference leg.

In addition to providing a source of optical power for absorbance  
15 measurements or the excitation of a fluorophore, the subsystem also incorporates two detectors for the measurement of optical power from the reference leg and also optical power from a separate fiber optic bundle that delivers collected emission light. These detectors and accompanying components are shown in Figure 31. The ferrule of the reference leg is held  
20 by a tube **1670**. The distal end of the ferrule is in close proximity to an optical detector mounted within the tube. The back surface of the optical detector is mounted directly on a printed circuit board **1672**. The emission bundle ferrule is also held in a tube **1674** that resides in a clamp **1676**. The tube **1674** also includes a lens that collimates the emission light that emerges from the  
25 emission bundle. The collimated light passes through a filter in the emission filter wheel **232** before encountering a second tube **1678**. This second tube

**1678** includes a focusing lens that focuses the filtered emission light onto a detector that is also housed within the tube **1678**. The back surface of the detector is also mounted to a second printed circuit board **1680**.

Although the emission detector is, in principle, capable of discerning  
5 signals of very low optical power, ample provision must be made in order to ensure that stray light emitted by the lamp does not indirectly couple to the detector. Stray lamp light is generated primarily by the excitation filter **1620**, where out-of-band light collimated by the condenser lens is rejected. This out-of-band light is reflected back towards to the condenser by the excitation  
10 filter, whereupon the lens curvature can scatter a significant fraction of the initial power. This scattered light can then scatter off of multiple components within the source and detector subsystem and eventually couple to the emission detector via the free-space gaps adjacent to the emission filter wheel **1610**.

15 In order block such coupling paths, an opaque light shield, preferably made from sheet metal, is provided that delineates and optically decouples the source section of the subsystem from the detector section. This shield, which is not shown in Figures 30 or 31, preferably blocks the entire two-dimensional interface between the source and detector sections by making  
20 multiple bends and traveling from the front of the subsystem to the back with no gaps. The light shield therefore enables the emission detector to operate over its full dynamic range with a high signal-to-noise ratio.

The embodiment shown in Figures 30 and 31 preferably employs low-noise silicon detectors for the detection of reference or emission light. The  
25 subsystem provides a novel, multimode (absorbance, fluorescence and luminescence) optical source and detection system that is easily integrated

into the analyzer. However, it will also be readily apparent to those skilled in the art that other embodiments of the optical source and detection assembly are possible without deviating from the scope of the invention. For example, if the emission light is expected to be of very low optical power, a preferred  
5 modification to the aforementioned optical subsystem employs a photomultiplier tube for the detection of emission light.

In another embodiment of the invention in which the analyzer does not perform measurements of emitted light but rather only performs multichannel absorbance measurements, the optical system includes only a single filter  
10 wheel and a single detector for the reference leg. In this embodiment, there is no need for the opaque light shield since no low-level measurements are made in the source and also because the reference leg optical path is fully contained within the reference tube **1670**. Finally, detector noise from external light sources can be eliminated using an optical chopper wheel  
15 known in the prior art. The chopper wheel is preferentially located between the filter wheel **1620** and the lens tube **1665** and modulates the optical power delivered to the fiber optic bundle. Detection is achieved using either a narrowband electrical filter or a lock-in detection scheme.

As described above, the preferred embodiment of the optical system  
20 employs a scanning optical head that is fed with two fiber optic bundles **1510** and **1515**. These bundles **1510** and **1515** each have one end that is fixed in position within the source and detector subsystem. The other end of each bundle, which terminates in the optical head **1500**, moves with the head as it is scanned under a microplate held in the optical detection position. It is  
25 therefore necessary to provide sufficient slack in each bundle to ensure that the full scanning range is achievable without the application of stress to the



bundles. In particular, it is necessary to ensure that the minimum bend radius of the bundles is not compromised, which can lead to mechanical failure and breakage of optical fibers.

In a preferred embodiment, this requirement is satisfied by providing a large circular or elliptical loop within the bundle. As the optical head scans toward its most distant position, the loop tightens and provides the needed slack to the bundle. Mechanical fixtures at selected positions within the analyzer confine the region of space accessible to the bundles and ensure that the minimum bend radius is not exceeded. This scheme can be successfully applied to both the excitation (or absorbance) bundle and the emission bundle. Since the reference leg has both its origin and termination in fixed positions, it can be routed in a fixed path within the analyzer and does not require a looping scheme.

A schematic of the main analyzer system with all aforementioned subsystems (except for the sample dispensing module) is provided in Figures 32 and 33 (both figures show an identical state of the analyzer). The subsystems are arranged within an outer frame **1700**. Each subsystem is modular and can be independently added to, or removed from, the analyzer, enabling the analyzer to be assembled in a configuration that provides only those subsystems that are needed by a given customer. A microplate **1705**, supported upon a microplate carrier tray **560**, is shown in the optical detection position **430**. Behind the optical detection position lies the incubator **1000** and secondary vortexer **1015**. In Figure 33, a reagent microplate **1710** can be seen placed upon the loading arm **405**. A pipette tip box **500** and an additional reagent microplate are shown placed upon the two upper park positions.

In Figure 33, the transport arms **705** of the carrier tray transport assembly are shown below the loading arm **405**. The multichannel pipettor **805** is shown in its retracted position. As previously described, the multichannel pipettor can be moved in and out of the transfer zone (the open area above the optical detection position) for the transfer of liquids to and from microplates. Figure 32 clearly illustrates the optical head **1502** and related assembly **1500** in its retracted position (the fiber optic bundles are not shown). The optical source and detector assembly **1600** is visible enclosed in a light-tight box behind the optical head assembly.

The analyzer incorporates a processor and control system to automate the various robotic functions required to perform assay batch protocols and to manage the multiple internal control systems. Results generated at the conclusion of a batch protocol run are provided to the operator in a number of possible formats, including the LCD, a thermal printer, or a network connection through a standard protocol such as a serial RS232, USB, ethernet or WiFi. In a preferred embodiment, the analyzer seamlessly interfaces to an internet-based laboratory management system that analyzes, reports and archives the sample data in a secure fashion.

As used herein, the terms “comprises”, “comprising”, “including” and “includes” are to be construed as being inclusive and open ended, and not exclusive. Specifically, when used in this specification including claims, the terms “comprises”, “comprising”, “including” and “includes” and variations thereof mean the specified features, steps or components are included. These terms are not to be interpreted to exclude the presence of other features, steps or components.

The foregoing description of the preferred embodiments of the invention has been presented to illustrate the principles of the invention and not to limit the invention to the particular embodiment illustrated. It is intended that the scope of the invention be defined by all of the embodiments  
5 encompassed within the following claims and their equivalents.

**THEREFORE WHAT IS CLAIMED IS:**

1. An automated analyzer for performing chemical, biochemical or biological assays in a microplate format, comprising;
  - a plurality of discrete carrier trays for holding and transporting microplates and other assay consumables, where said microplates and assay consumables have a uniquely identifiable label, and where microplates with microwells containing a reagent or standard are initially provided in a sealed format;
  - means of presenting said carrier trays to an operator for the purpose of loading or unloading said microplates and other assay consumables;
  - a plurality of carrier tray supports within said analyzer for holding said carrier trays in particular locations;
  - a carrier tray transport means for transporting said carrier trays as required within said analyzer;
  - a sample housing for holding one or more sample containers, where each sample container has a uniquely identifiable machine readable label;
  - reading means for reading a machine readable label;
  - piercing means for piercing said sealed microwells for allowing access to the reagents or standards within the microwells;
  - a liquid dispensing system for transferring a sample to said microwell and for transferring one or more of said reagent or standard to one microplate from another microplate;
  - agitation means for agitating one or more microplates;
  - a thermal incubator for thermally incubating contents of said microwells of one or more microplates;

an optical detection station including an optical detection system for measuring an assay signal from one or more microwells;

a user interface enabling interaction between the analyzer and an operator;

microprocessor control means including firmware pre-programmed with one more batch protocols, wherein said batch protocols describe all steps required for the automation of one or more assays performed on one or more samples; and

a means for field-updating said firmware for the purpose of adding, removing or modifying batch protocols.

2. The analyzer according to claim 1 wherein said uniquely identifiable labels on said microplates and assay consumables are machine readable.
3. The analyzer according to claim 1 or 2 further including an internal wash station for the washing of one or more microplates.
4. The analyzer according to claim 3 further including an internal wash buffer storage reservoir.
5. The analyzer according to any one of claims 1 to 4 wherein said means of presenting said carrier trays to an operator for the purpose of loading or unloading said microplates and other assay consumables is a motorized loading arm that extends through a door in said analyzer.

6. The analyzer according to any one of claims 1 to 4 wherein said means of presenting said carrier trays to an operator for the purpose of loading or unloading said microplates and other assay consumables is a door in said analyzer providing access to said carrier trays residing on said carrier tray supports within said analyzer.
7. The analyzer according to any one of claims 1 to 6 wherein one or more of said carrier tray supports are included in said analyzer for the purpose of storing said carrier trays.
8. The analyzer according to any one of claims 1 to 7 wherein said one or more carrier tray supports are vertically grouped in a magazine structure.
9. The analyzer according to any one of claims 1 to 7 wherein said one or more carrier tray supports are placed within said analyzer without mutual shadowing in the vertical direction for the purpose of enabling the direct transfer of liquids from between microplates housed in said carrier trays held by said one or more carrier tray supports.
10. The analyzer according to any one of claims 1 to 9 wherein said carrier tray supports further include a proximity sensor for detecting the presence or absence of a carrier tray.
11. The analyzer according to any one of claims 1 to 10 wherein one or more carrier trays have a thermally conductive base, where an internal area of said thermally conductive base is raised relative to an outer area of said base

for the purpose of positioning an upper surface of said internal area of said base in close proximity to one or more microwells of a microplate loaded onto said carrier plate.

12. The analyzer according to claim 11 wherein said internal area of said base contains an array of through holes, wherein an axis of each through hole is substantially parallel to an axis of a microwell located above said through hole.

13. The analyzer according to claim 11 wherein said one or more carrier trays are configured to perform passive thermal incubation for a microplate during the automation of an assay.

14. The analyzer according to any one of claims 1 to 13 wherein said carrier tray transport system includes a pair of transport arms, said transport arms being connected at one end by a support bar, and wherein said transport arms further include one or more protrusions for the purpose of engaging with recesses in a carrier tray for the purpose of transporting said carrier tray.

15. The analyzer according to any one of claims 1 to 14 wherein said sample housing includes means for moving said sample containers relative to said reading means to enable the reading of said machine readable labels on said sample containers.

16. The analyzer according to any one of claims 1 to 14 wherein said sample housing includes means for moving said sample containers relative to said liquid dispensing means to enable the aspiration of samples from said sample containers.
17. The analyzer according to claim 1 wherein said machine readable labels are any one of one-dimensional barcodes, two-dimensional barcodes, text, and radio-frequency identification tags.
18. The analyzer according to any one of claims 2 to 16 wherein said machine readable labels are any one of one-dimensional barcodes, two-dimensional barcodes, text, and radio-frequency identification tags.
19. The analyzer according to any one of claims 1 to 16 wherein said reading means for reading a machine readable label is an optical barcode reader.
20. The analyzer according to any one of claims 1 to 16 wherein said reading means for reading a machine readable label detects radio-frequency identification tags.
21. The analyzer according to any one of claims 2 to 20 wherein separate reading means are provided for reading said machine readable labels on said microplates and consumable and said machine readable labels on said sample containers.



22. The analyzer according to any one of claims 1 to 21 wherein said piercing means is a piercing tool used externally by an operator.
23. The analyzer according to any one of claims 1 to 21 wherein said piercing means is a piercing tool residing within said analyzer.
24. The analyzer according to claim 23 wherein said piercing means is permanently attached to a translating subsystem within said analyzer.
25. The analyzer according to claim 23 wherein said piercing means is attached to a translating subsystem within said analyzer in a removable fashion.
26. The analyzer according to any one of claims 1 to 25 wherein said liquid dispensing system includes a single-channel electronic pipetting system.
27. The analyzer according to any one of claims 1 to 25 wherein said liquid dispensing system includes a multi-channel electronic pipetting system.
28. The analyzer according to any one of claims 1 to 27 wherein said liquid dispensing system includes an electronic pipetting system utilizing a pipetting means including any one of air displacement, peristaltic, positive displacement and syringe pumping.
29. The analyzer according to any one of claims 1 to 28 wherein said liquid dispensing system employs disposable pipette tips.

30. The analyzer according to any one of claims 1 to 29 wherein said agitation means comprises two orthogonal translation stages that can be motorized to move in an arbitrary profile.
31. The analyzer according to any one of claims 1 to 29 wherein said agitation means is an orbital vortexer with a fixed orbital radius.
32. The analyzer according to any one of claims 1 to 31 further including a second agitation means for agitating one or more microplates.
33. The analyzer according to any one of claims 1 to 32 wherein said optical detection system measures any one or more of absorbance, fluorescence, luminescence, chemiluminescence, electroluminescence, time-resolved fluorescence, and fluorescence polarization.
34. The analyzer according to any one of claims 1 to 33 wherein said optical detection system comprises a scanning optical head that moves relative to the microwells of a microplate.
35. The analyzer according to any one of claims 1 to 33 wherein said optical detection system comprises a stationary optical head, and wherein said microplate carrier supporting said microplate moves relative to said stationary optical head.

36. The analyzer according to any one of claims 1 to 33 wherein said optical system comprises a multi-channel optical head providing a simultaneous measurement of absorbance for a plurality of neighbouring microwells.

37. The analyzer according to any one of claims 1 to 33 wherein said optical detection system and said thermal incubator are combined in a single system wherein said optical detection is performed within said thermal incubator.

38. The analyzer according to any one of claims 1 to 37 wherein said thermal incubator is a passive thermal incubator wherein said microwells are maintained at a substantially equal temperature.

39. The analyzer according to any one of claims 2 to 38 wherein said machine readable labels on said microplates include any one or more of microplate type, microplate vendor, expiry date, production date, lot or batch number, serial number, reagent or standard identity and location, and reagent or standard concentration.

40. The analyzer according to any one of claims 2 to 39 wherein said machine readable labels on said assay consumables includes any one or more of the following: consumable type, consumable vendor and consumable format.

41. The analyzer according to any one of claims 1 to 40 wherein said machine readable label on a sample container includes a list of assays to be performed on said sample.
42. The analyzer according to any one of claims 1 to 41 wherein said machine readable label on a sample container identifies a batch protocol to be performed on said sample.
43. The analyzer according to any one of claims 1 to 42 wherein said user interface is a touchscreen liquid crystal display integrated into said analyzer.
44. The analyzer according to any one of claims 1 to 42 wherein said user interface includes means for restricting an operator from programming said firmware.
45. The analyzer according to any one of claims 1 to 44 wherein said firmware is remotely updated over an internet connection.
46. The analyzer according to any one of claims 1 to 45 wherein a result of an automated assay is obtained remotely over an internet connection.
47. The analyzer according to any one of claims 2 to 46 wherein said batch protocols further contain information regarding the type of microplates and consumables required to perform said one or more assays, wherein a correct identity of microplates and consumables loaded by an operator can be verified via said machine readable labels on said microplates and consumables.

48. The apparatus according to any one of claims 1 to 47 wherein said batch protocols include sample batch protocols for the automation of one or more assays on one or more samples and wherein said batch protocols further include, for each sample batch protocol, a corresponding calibration protocol whereby assays are performed with standards having known analyte concentrations for the purpose of obtaining a dose-response curve for said one or more assays.

49. The analyzer according to claim 12 wherein each through hole has a diameter that is sufficiently large to pass a substantial amount of light directed through or emitted from the microwell positioned above said through hole, wherein said diameter of said through hole is sufficiently narrow to provide sufficient thermal exchange between said base and said microwell positioned above said through hole.

50. The analyzer according to any one of claims 1 to 49 wherein said assay consumables include disposable pipette tips housed in a box having a physical footprint and size compatible with one or more of said carrier trays.

51. The analyzer according to any one of claims 1 to 50 wherein said sample housing includes one or more ion selective probes for the measurement of ionic concentrations in a sample and a means for automating the immersion of said probes into said samples.

52. A method of automating chemical, biochemical or biological assays in a microplate-based automated analyzer, comprising the steps of;

instructing an operator to insert one or more sample containers into an analyzer, where each sample container contains a sample and has a uniquely identifiable machine readable label;

obtaining a list of assays to be performed on each sample by an assay list input means;

compiling a list of all assays to be performed on said samples;

cross-referencing said list of all assays with a set of sample batch protocols residing within firmware of said analyzer to determine a subset of sample batch protocols that can be employed to perform said list of assays, wherein said sample batch protocols describe the sequence and timing of all actions required to perform one or more assays on one or more samples, and wherein said sample batch protocols are pre-programmed into the firmware of said analyzer;

instructing said operator to select a sample batch protocol from said subset of sample batch protocols;

instructing said operator to load microplates and other assay consumables required by said selected sample batch protocol, where said microplates and assay consumables have a uniquely identifiable label, and where microplates with microwells containing a reagent or standard are initially provided in a sealed format;

performing said selected sample batch protocol; and

determining one or more analyte concentrations for each sample, wherein said analyte concentrations are obtained using assay signals measured during automation of said sample batch protocol and dose-

response curves for assays performed by said sample batch protocol, and wherein said dose-response curves are determined by a separate calibration batch protocol and stored within said analyzer.

53. The method according to claim 52 wherein said assay list input means is a user interface and said operator enters said list of assays to be performed on each sample.

54. The method according to claim 52 wherein said assay list input means is the automated reading of information within said machine readable labels on a sample container, where said information includes a list of assays to be performed on said sample.

55. The method according to any one of claims 52-54 wherein said uniquely identifiable labels on said microplates and assay consumables are machine readable.

56. The method according to claim 55 wherein said sample batch protocols further contain information regarding the type of microplates and consumables required to perform said sample batch protocols, wherein a correct identity of microplates and consumables loaded by an operator can be verified via said machine readable labels on said microplates and consumables.

57. A method of calibrating automating chemical, biochemical or biological assays on a microplate-based automated analyzer, comprising the steps of;

providing to an operator a list of calibration batch protocols residing within the firmware of said analyzer, wherein said calibration batch protocols describe the sequence and timing of all actions required to calibrate one or more assays; and wherein said calibration batch protocols are pre-programmed into firmware of said analyzer;

instructing said operator to select a calibration batch protocol from said list of calibration batch protocols;

instructing said operator to load microplates and other assay consumables required by said calibration batch protocol, where said microplates and assay consumables have a uniquely identifiable label, and where microplates with microwells containing a reagent or standard are initially provided in a sealed format;

performing said selected calibration batch protocol; and

determining dose-response curves for each assay performed by said calibration batch protocol; wherein said dose-response curves are obtained by fitting measured assay signal and known analyte concentrations to mathematical functions;

storing said dose-response curves within said analyzer for future use by a corresponding sample batch protocol, whereby analyte concentrations in samples are determined.

58. The method according to claim 57 wherein said uniquely identifiable labels on said microplates and assay consumables are machine readable.

59. The method according to claim 58 wherein said calibration batch protocols further contain information regarding the type of microplates and



consumables required to perform said calibration batch protocols, wherein a correct identity of microplates and consumables loaded by an operator can be verified via said machine readable labels on said microplates and consumables.

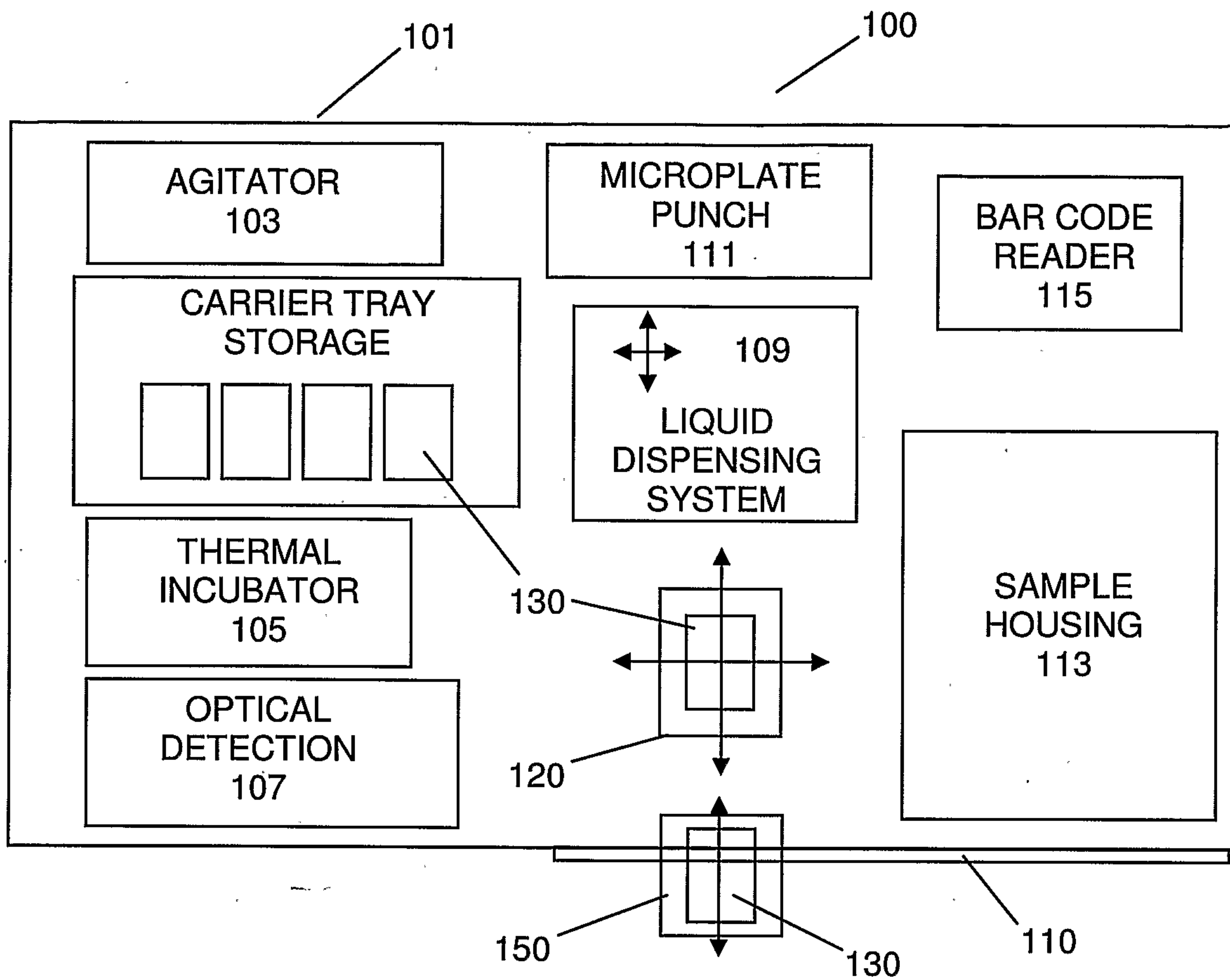


Figure 1

2/35

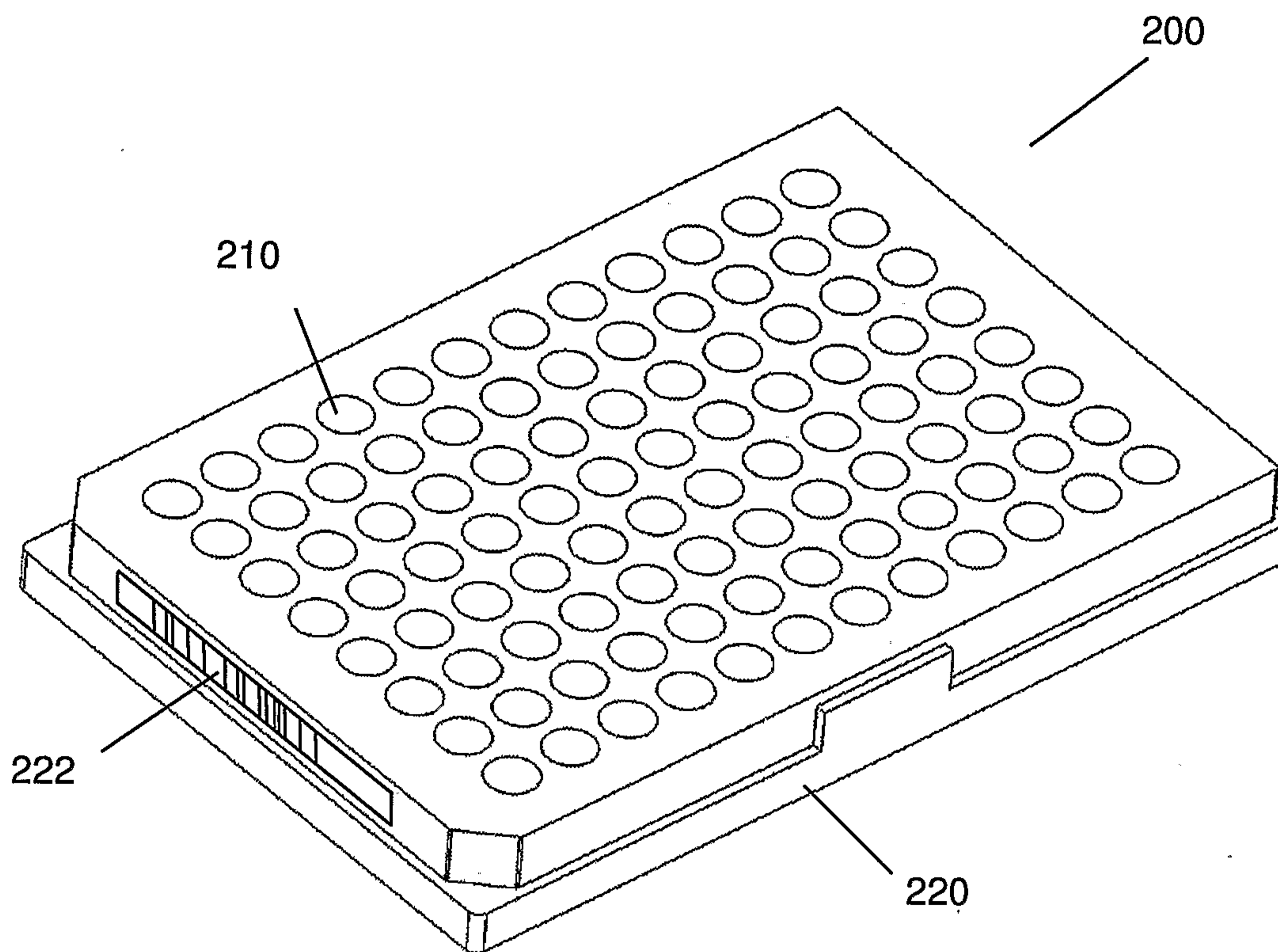


Figure 2

3/35

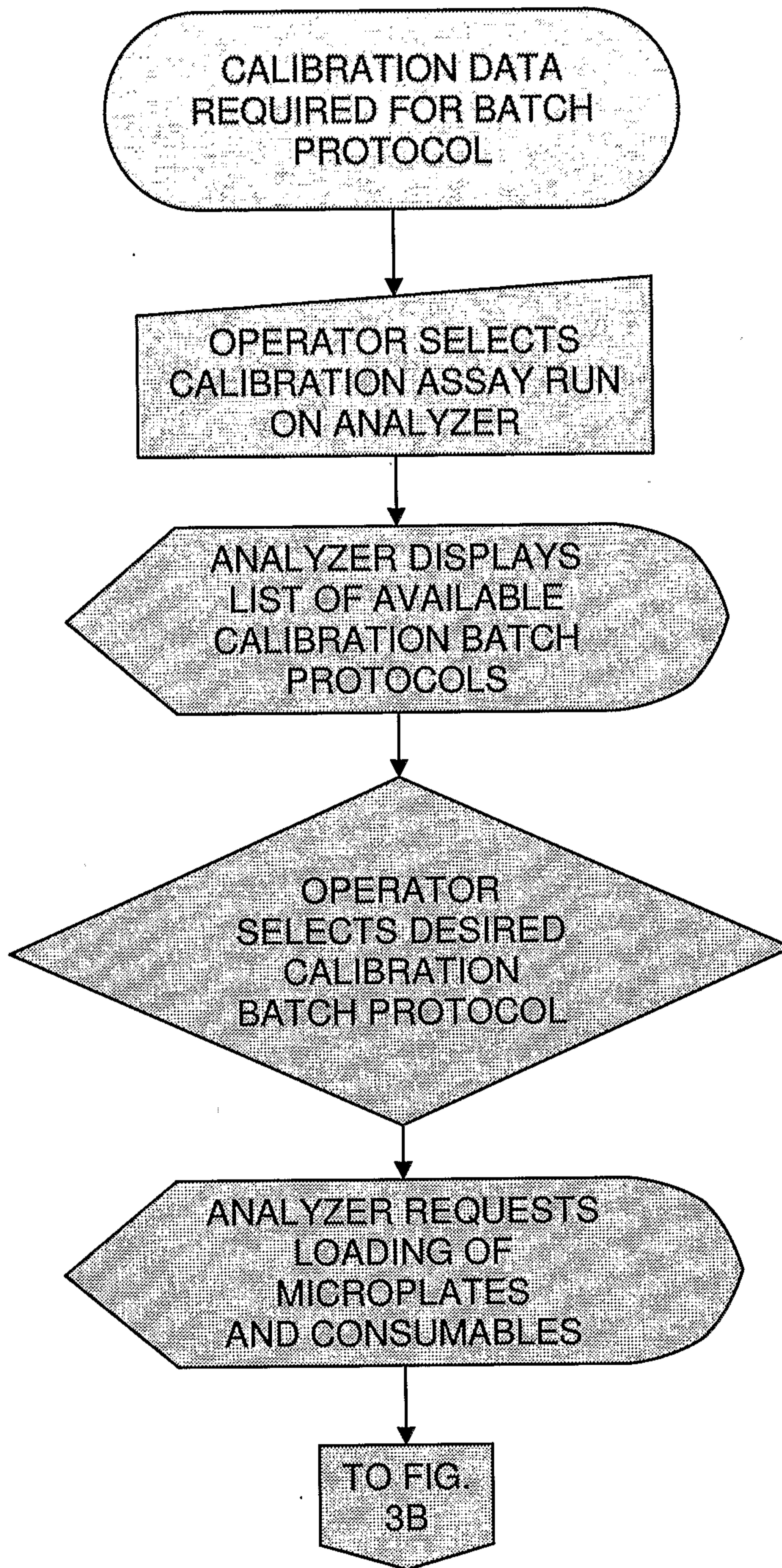


Figure 3A

4/35

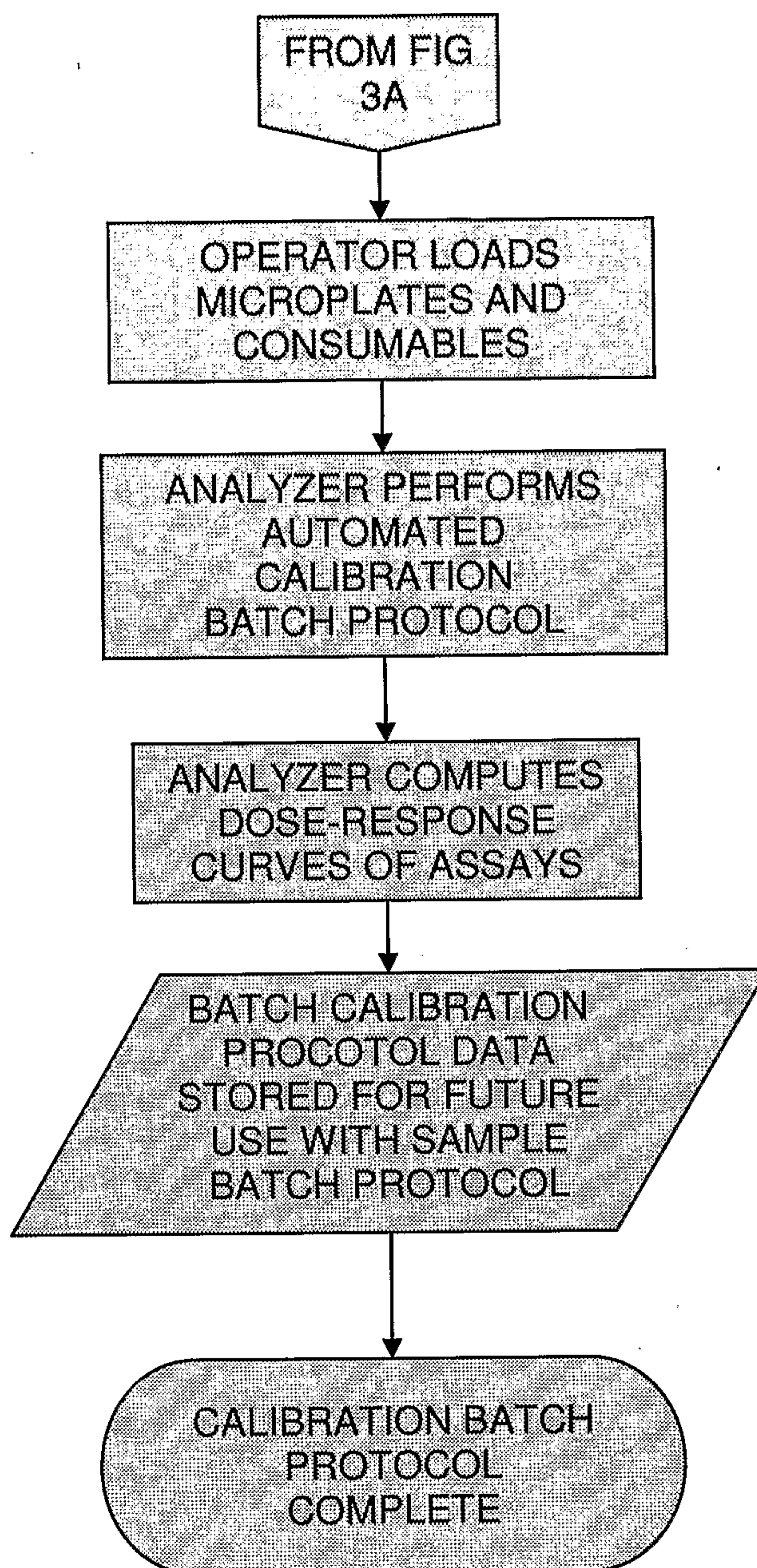


Figure 3B

5/35

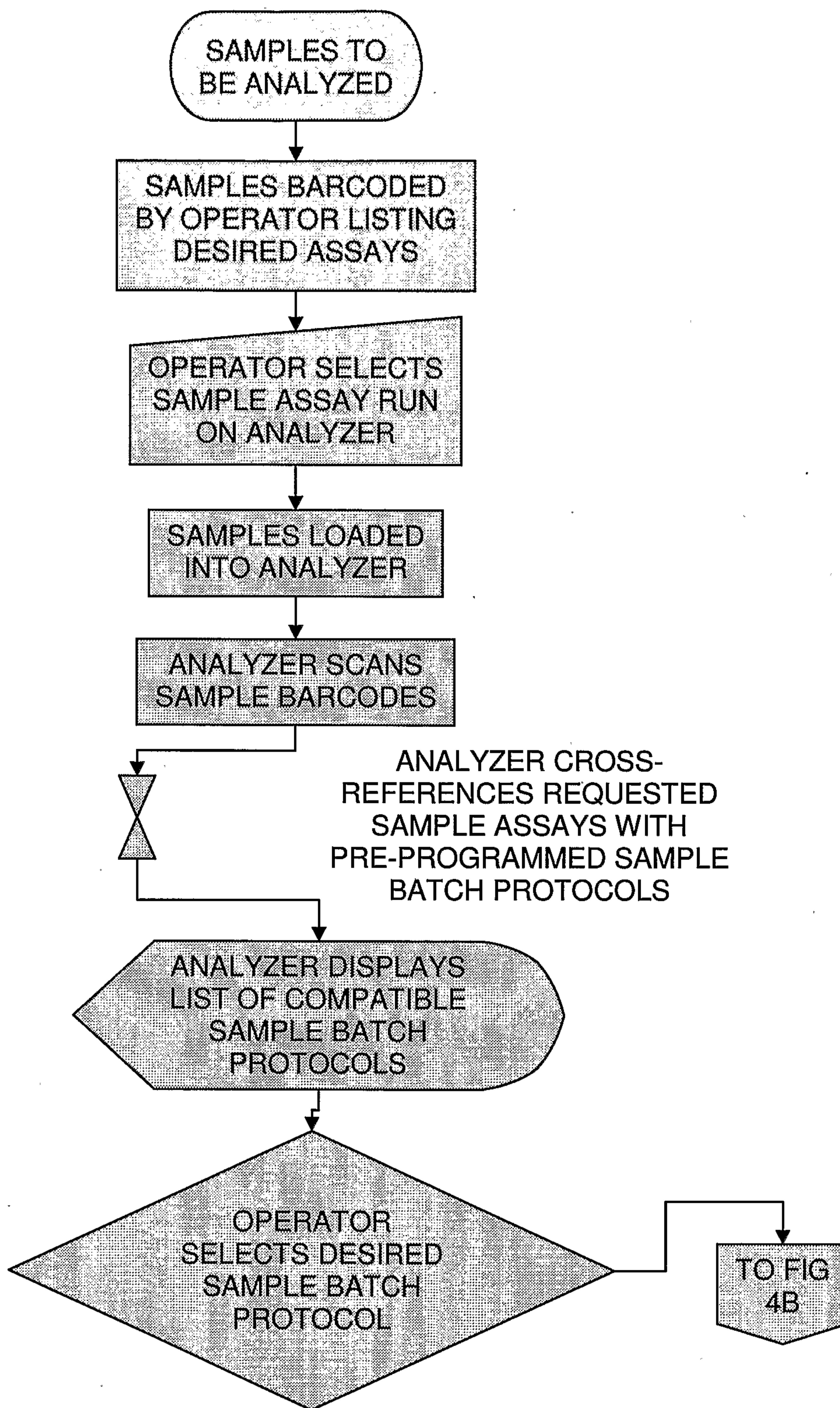


Figure 4A

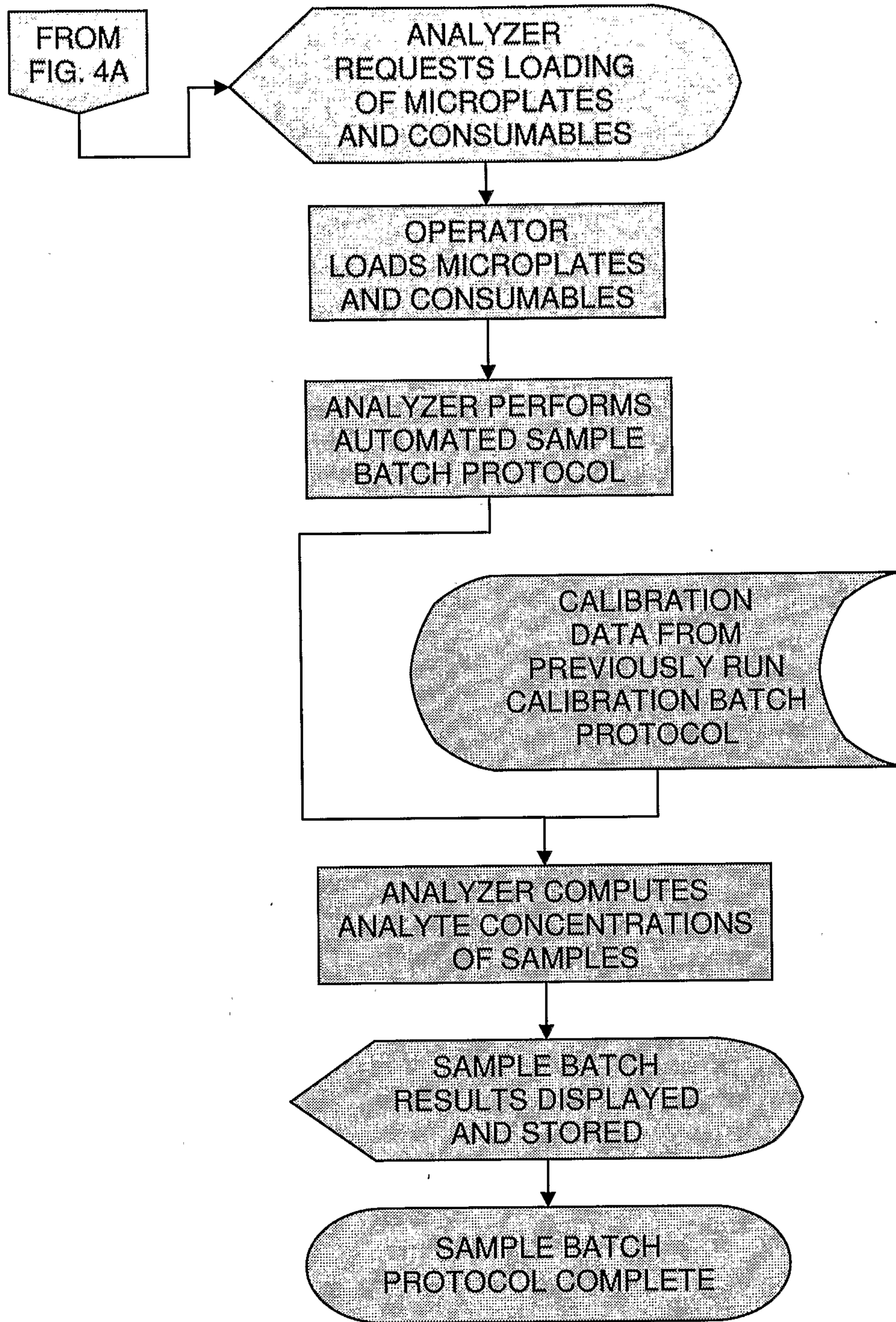


Figure 4B

7/35

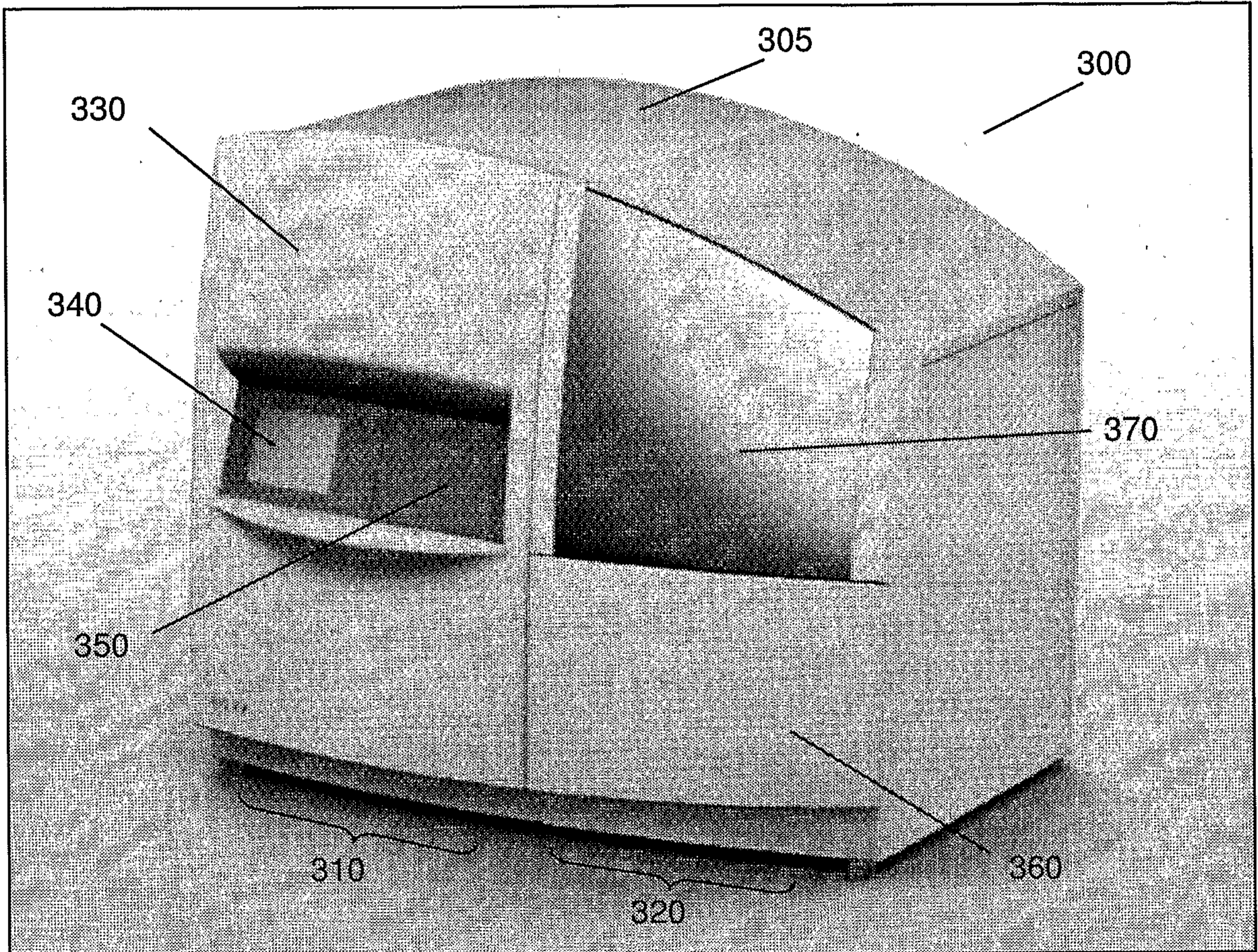


Figure 5



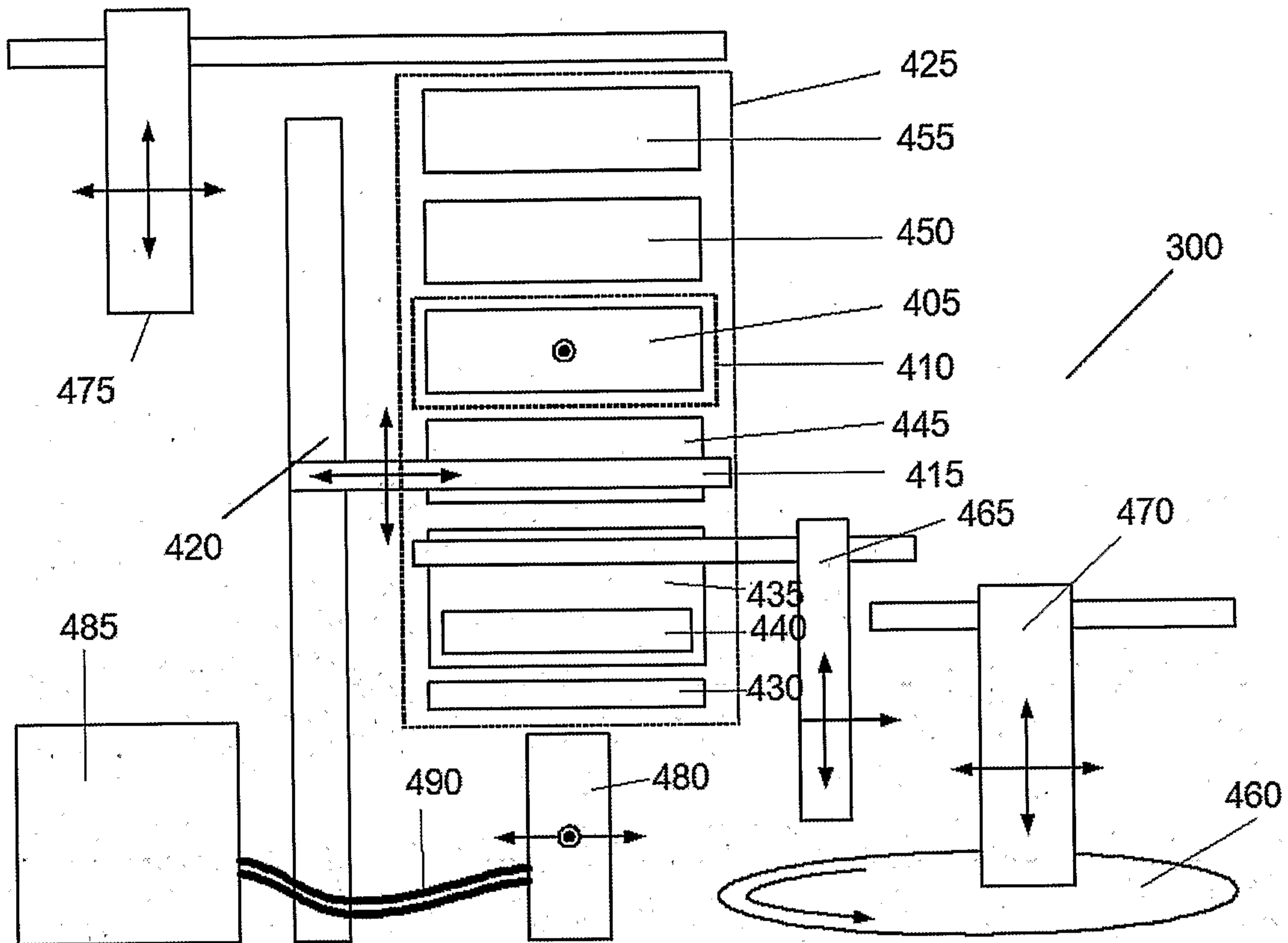


Figure 6

9/35

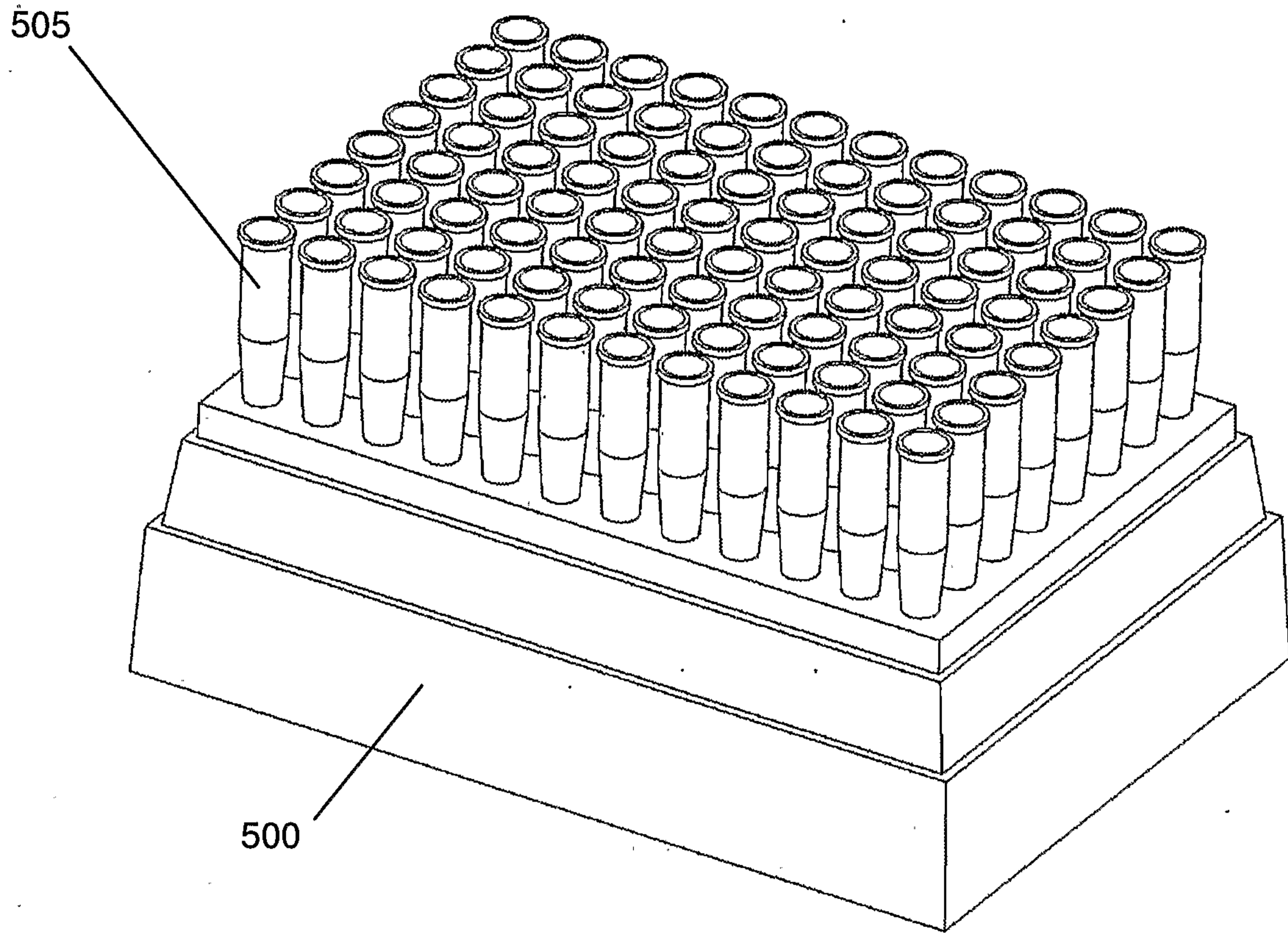


Figure 7

10/35

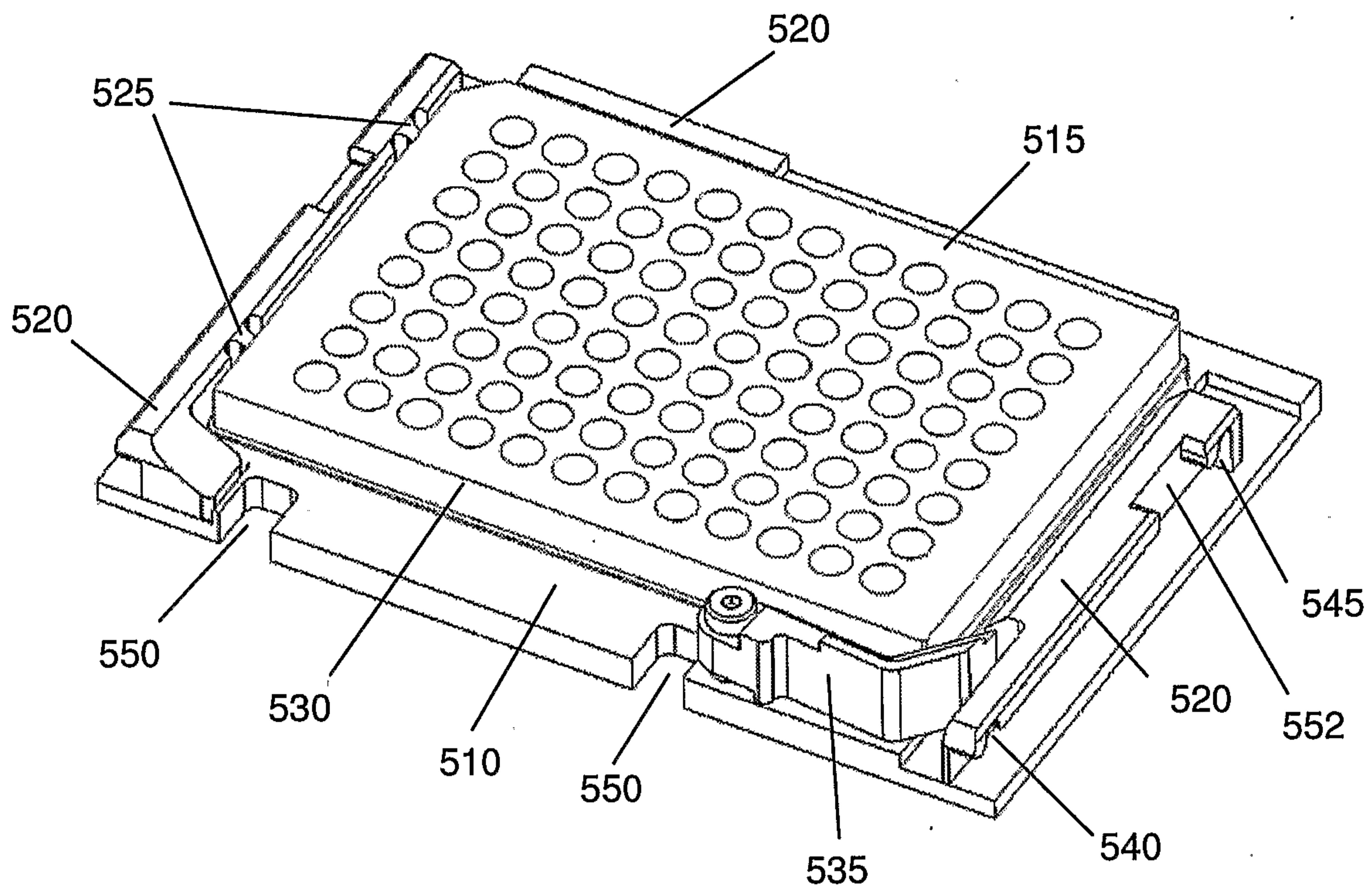


Figure 8

11/35

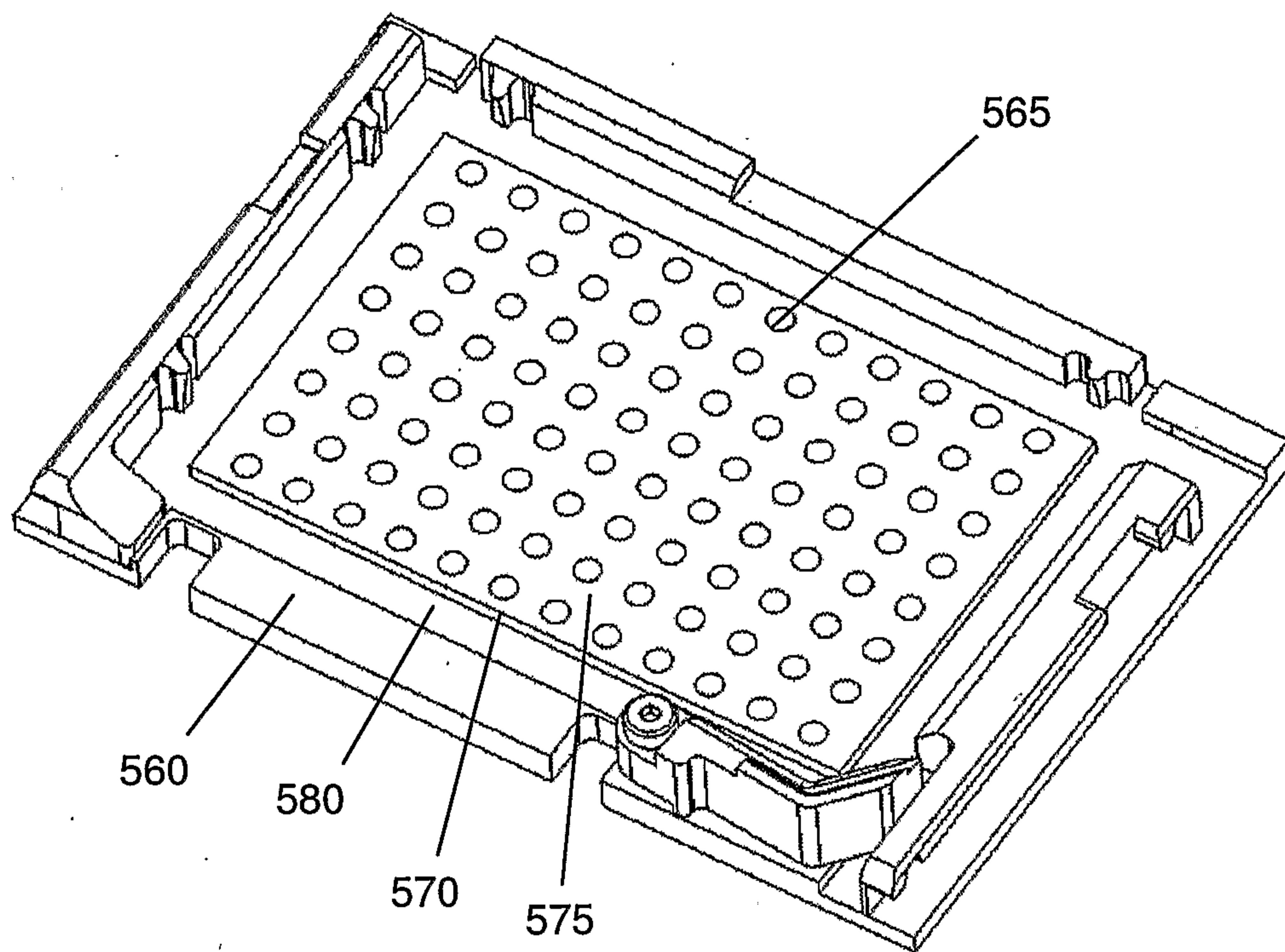


Figure 9

12/35

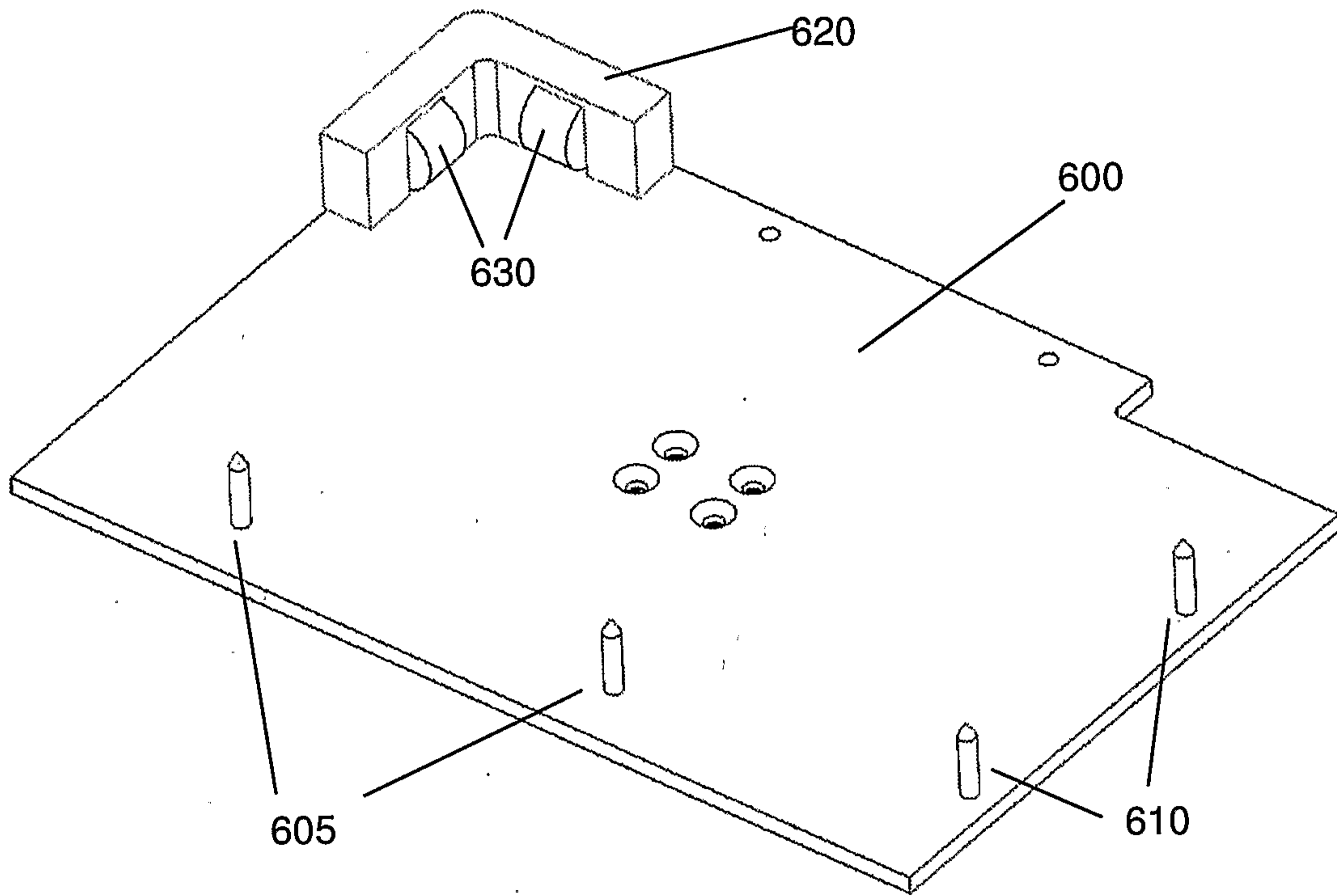


Figure 10

13/35

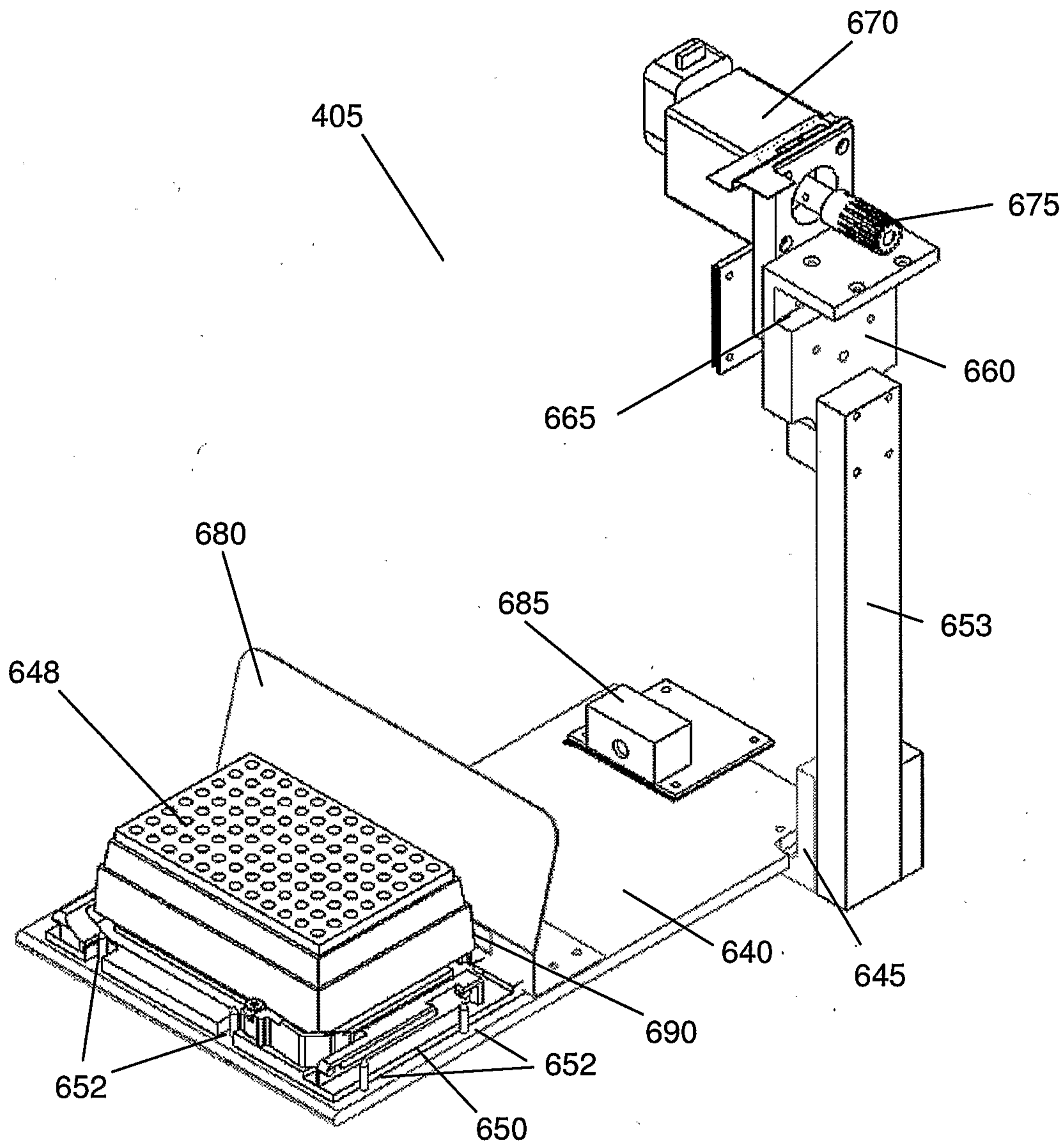


Figure 11

14/35

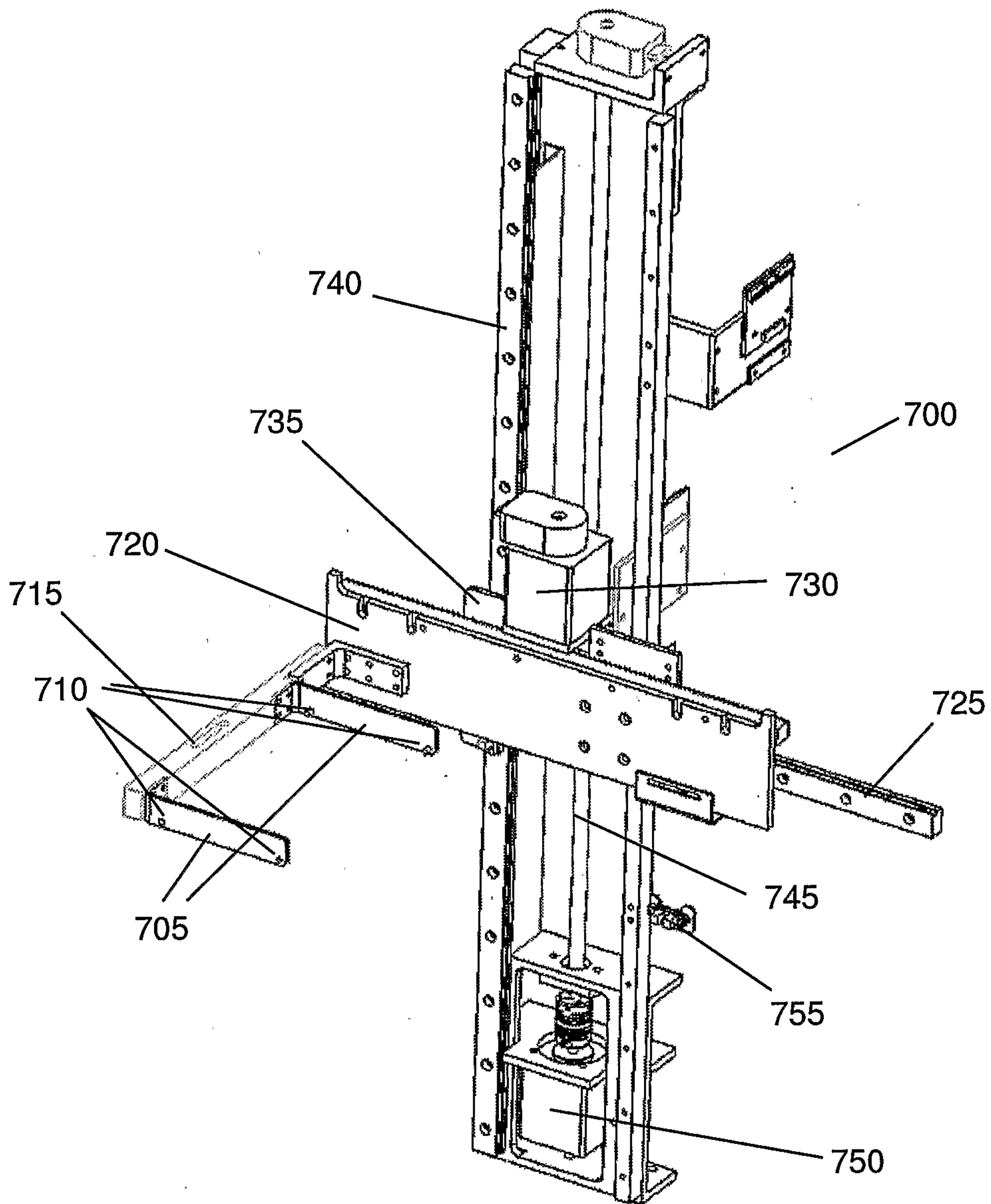


Figure 12

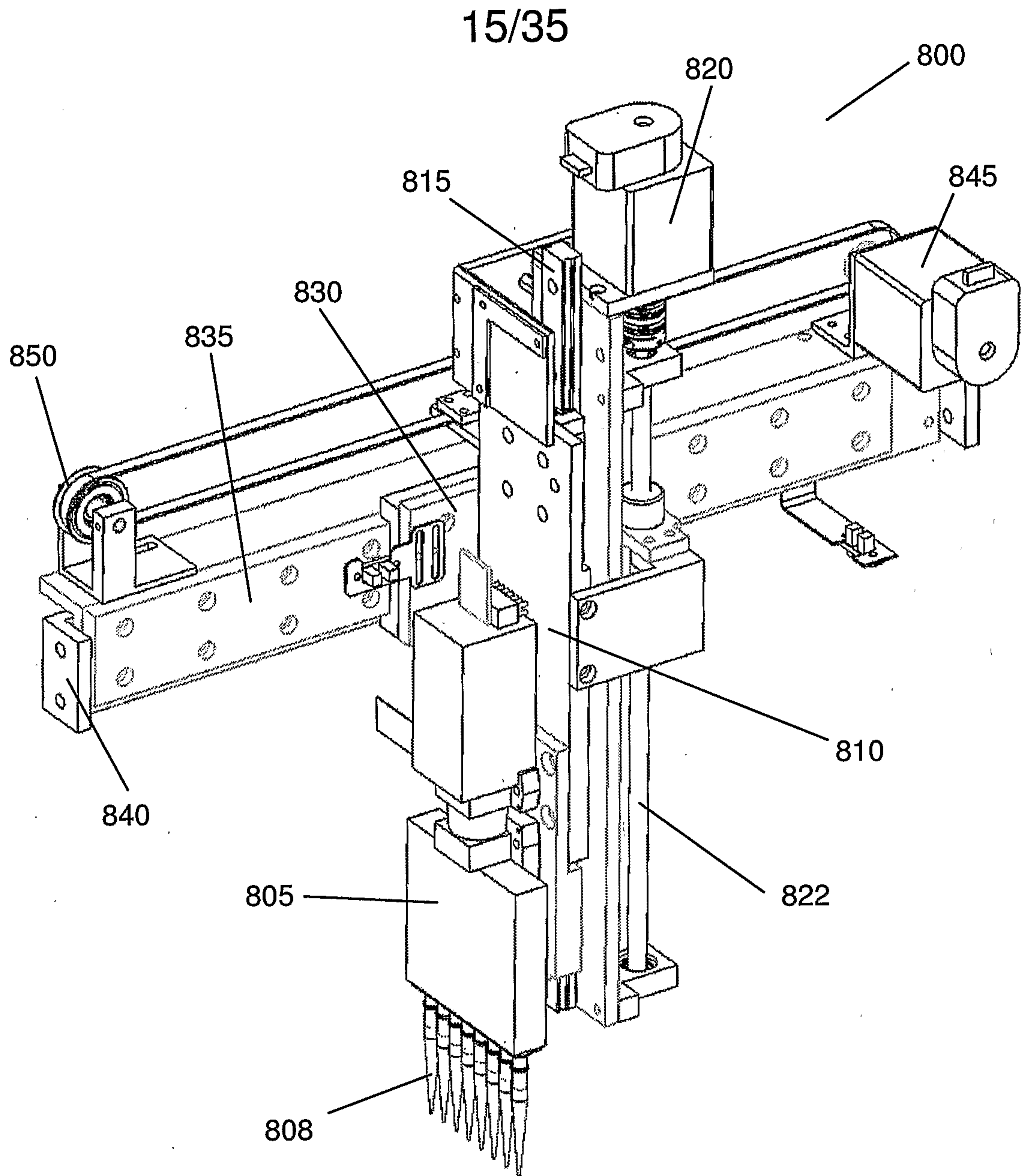


Figure 13



16/35

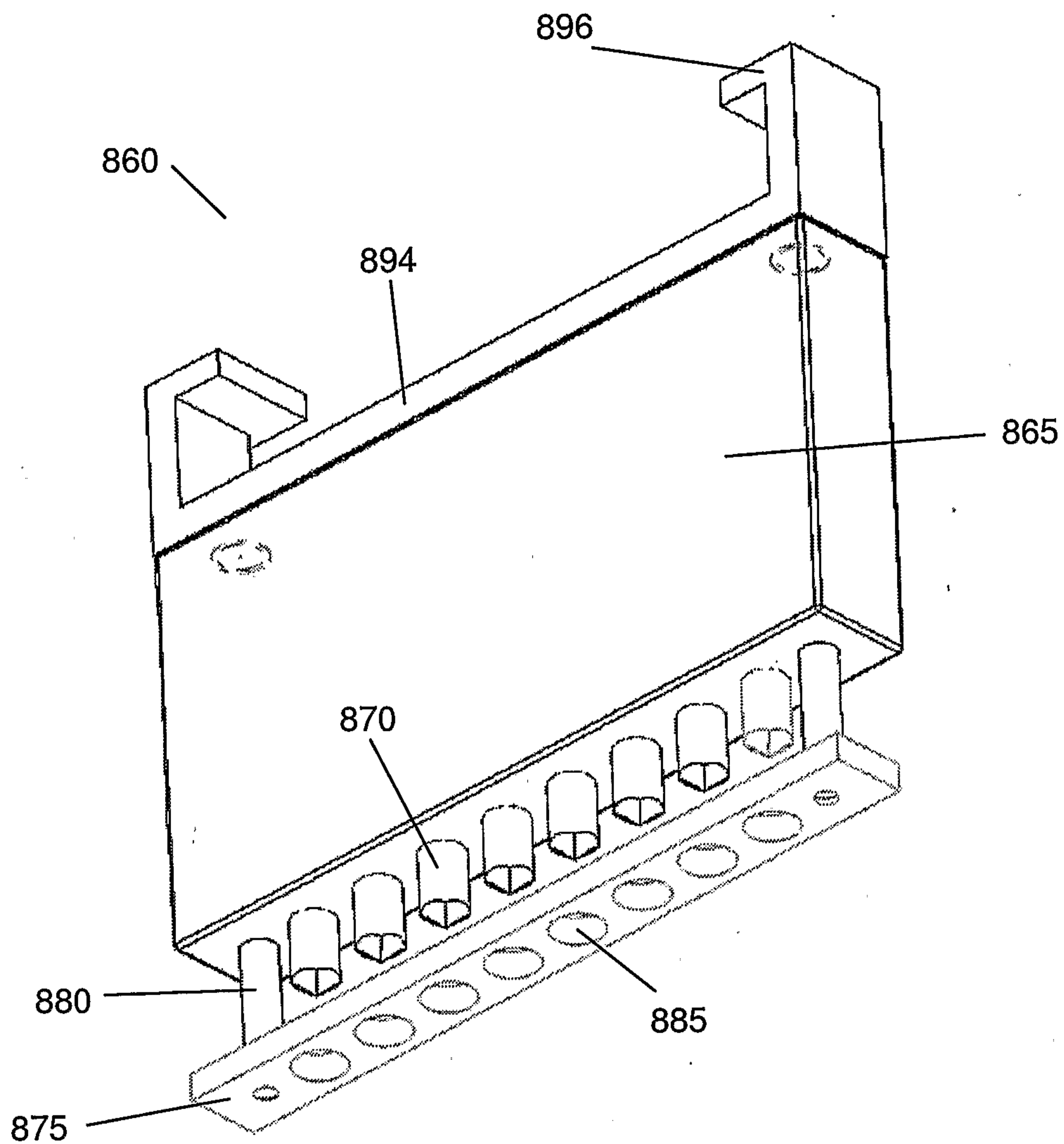


Figure 14

17/35

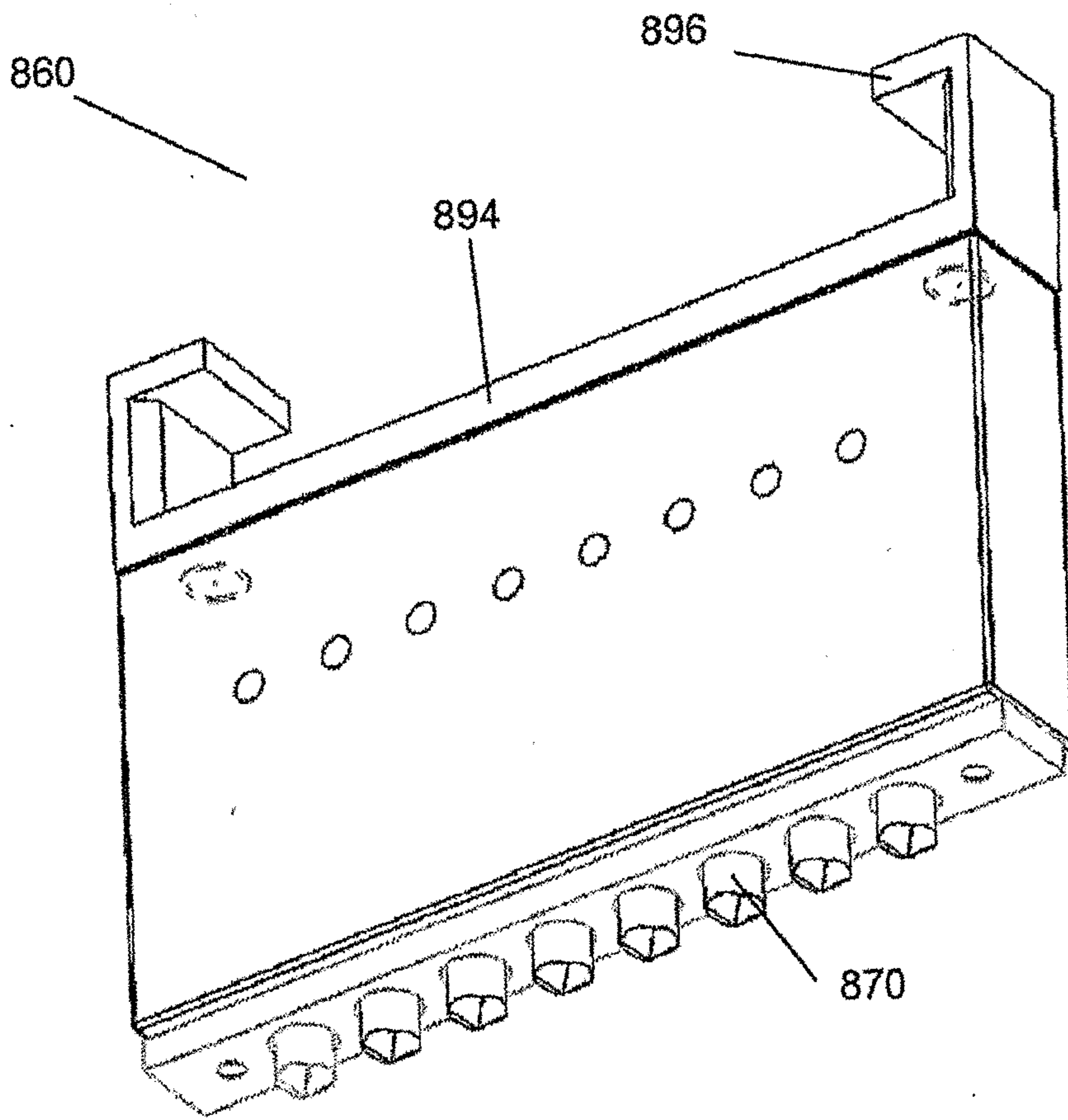


Figure 15

18/35

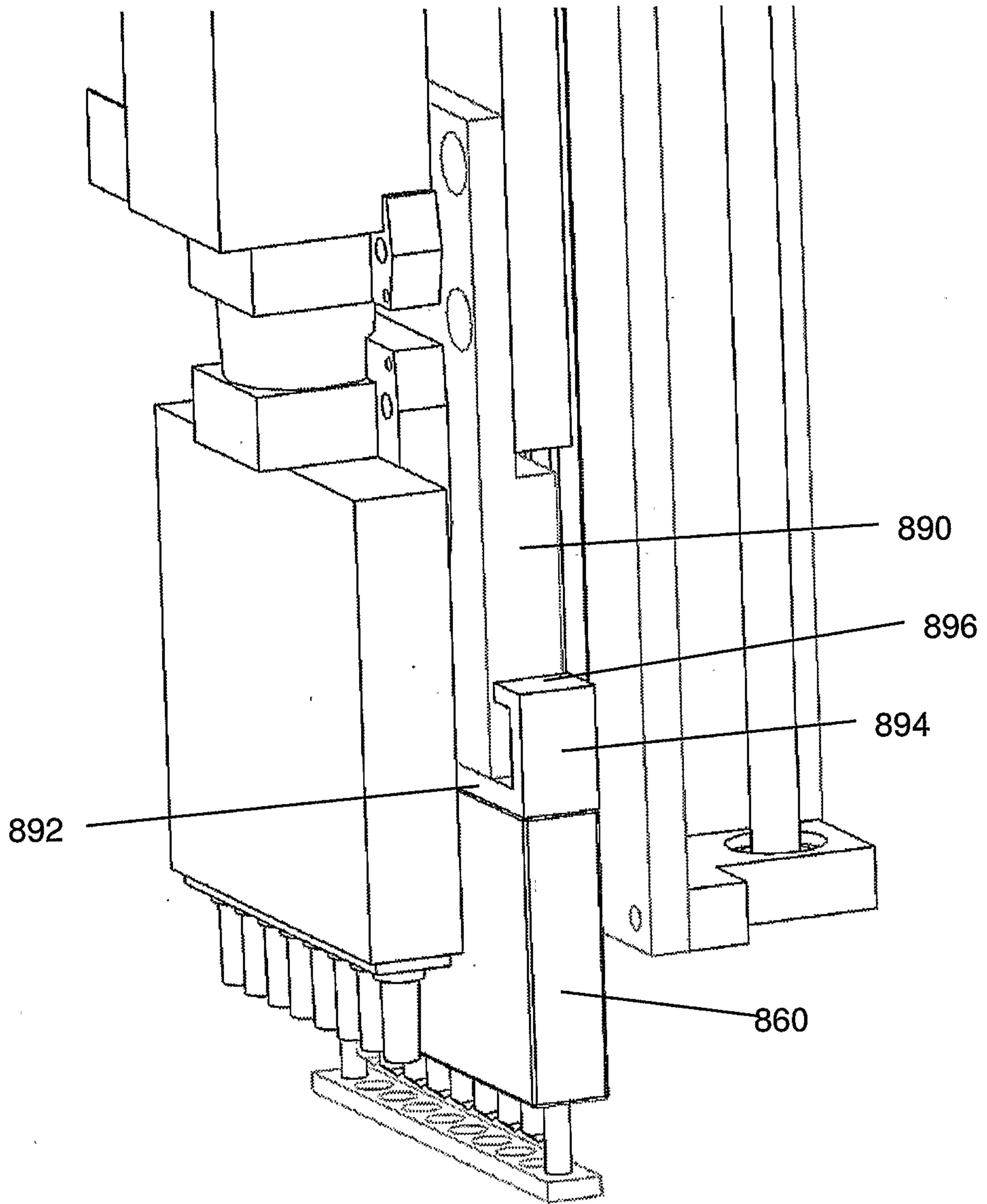


Figure 16

19/35

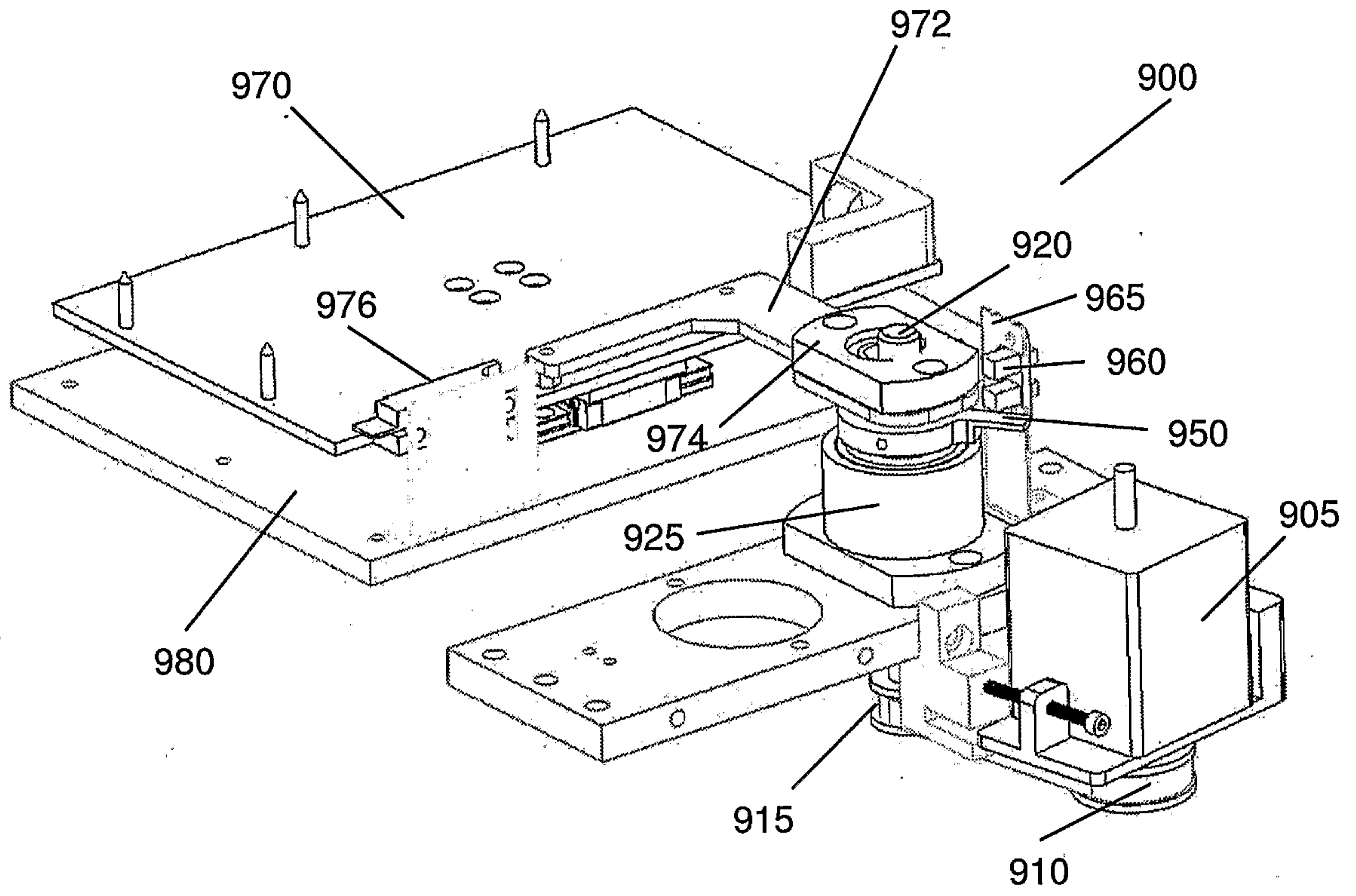


Figure 17

20/35

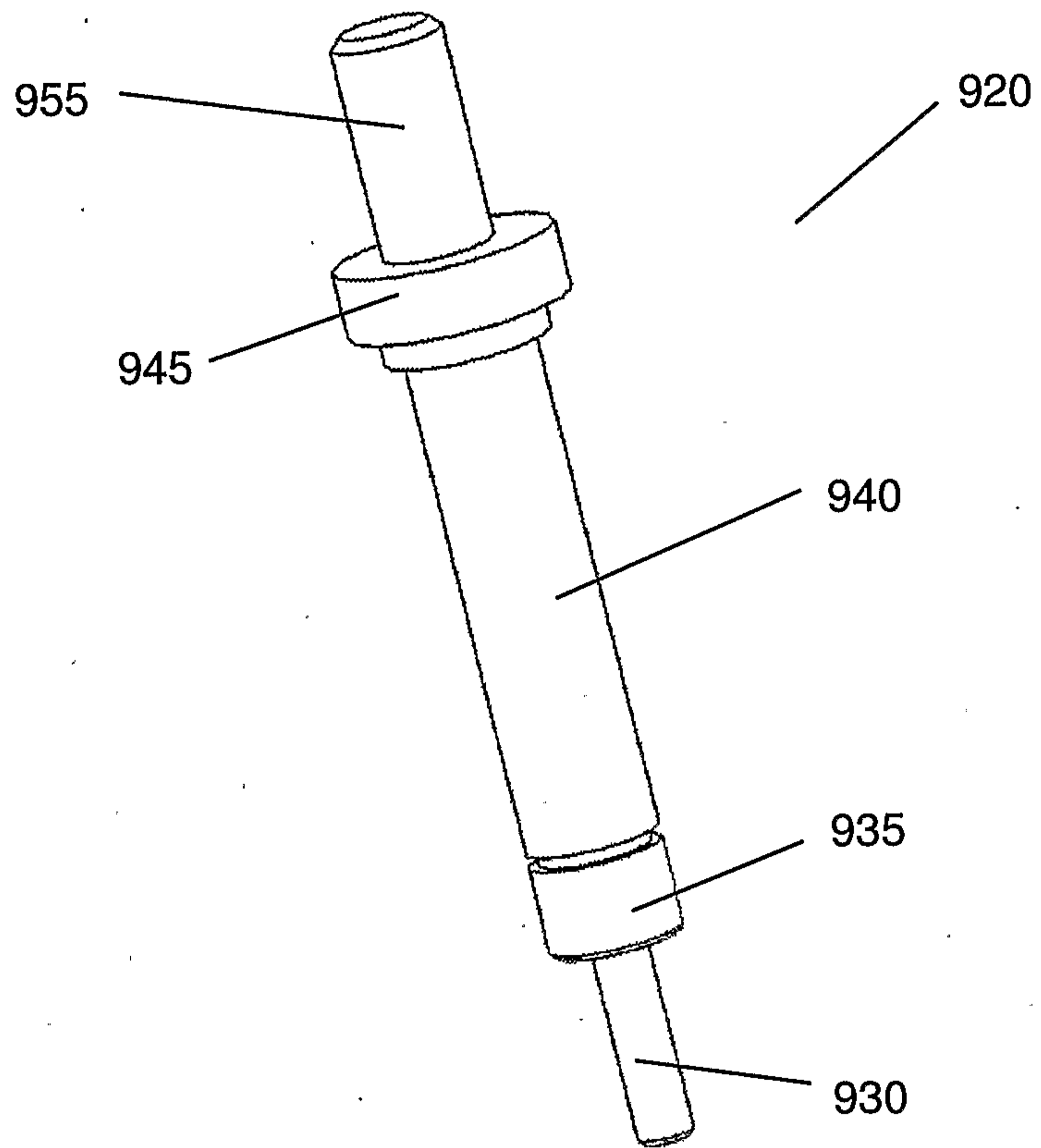


Figure 18

21/35

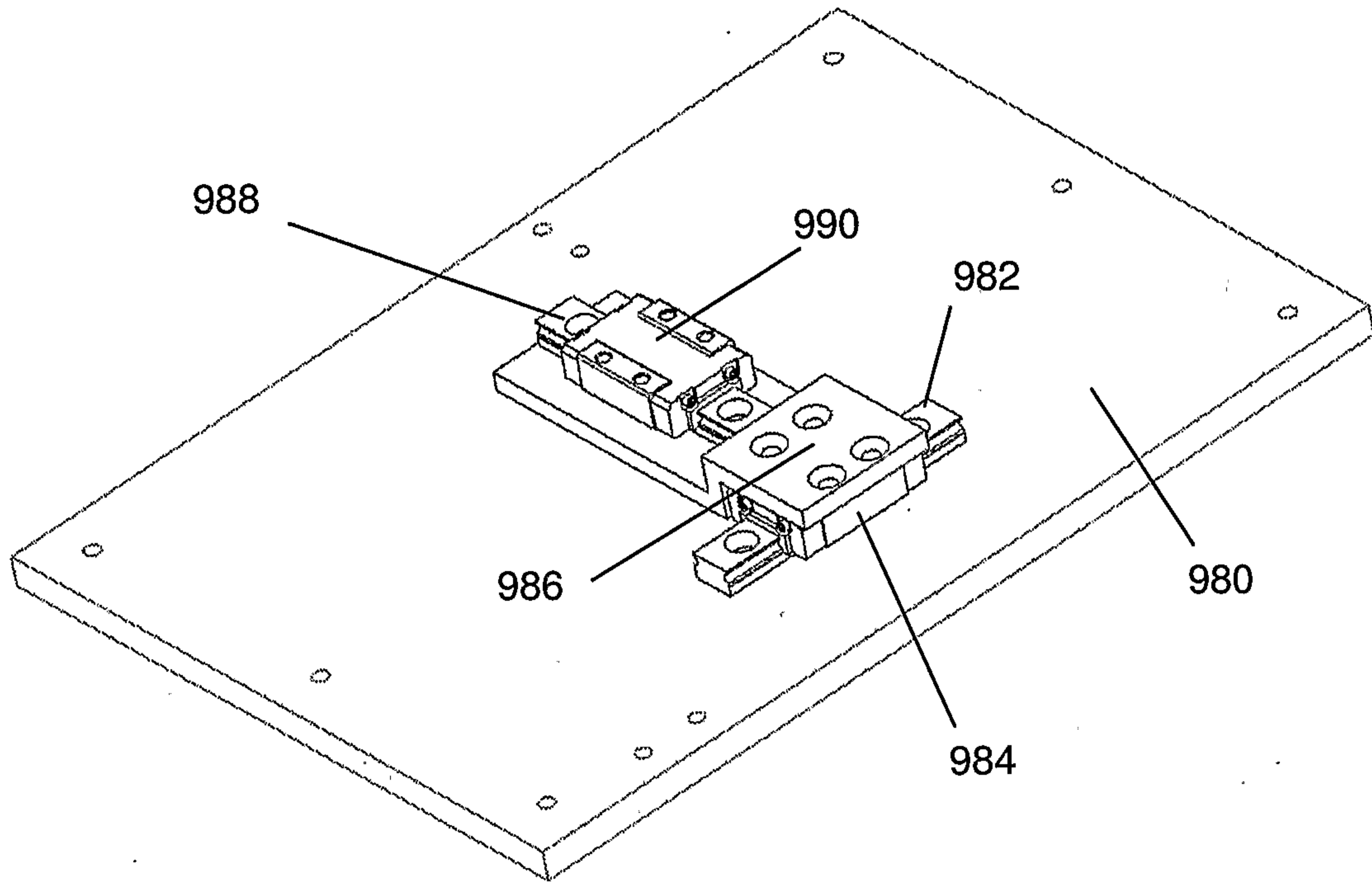


Figure 19

22/35

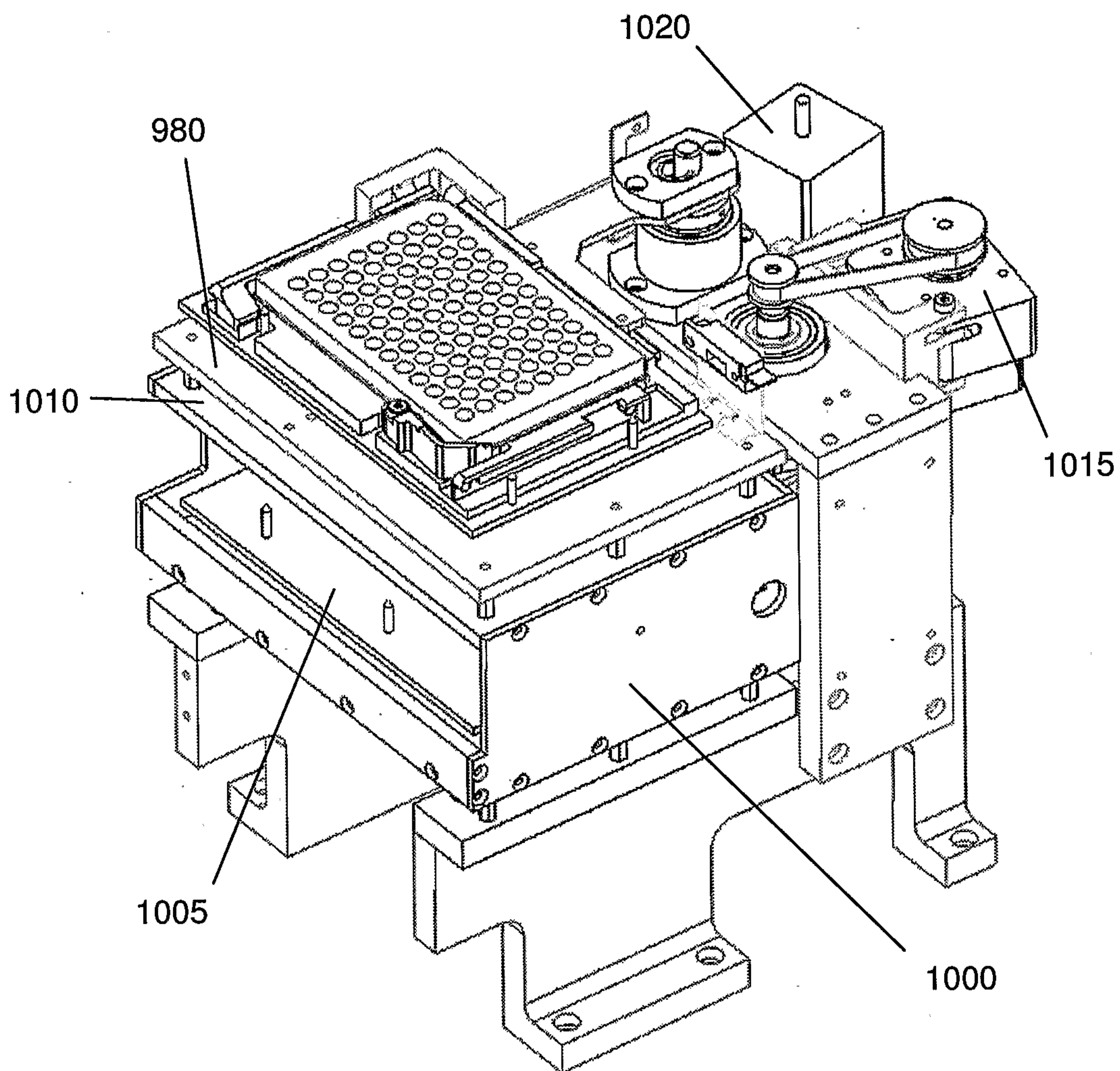


Figure 20

23/35

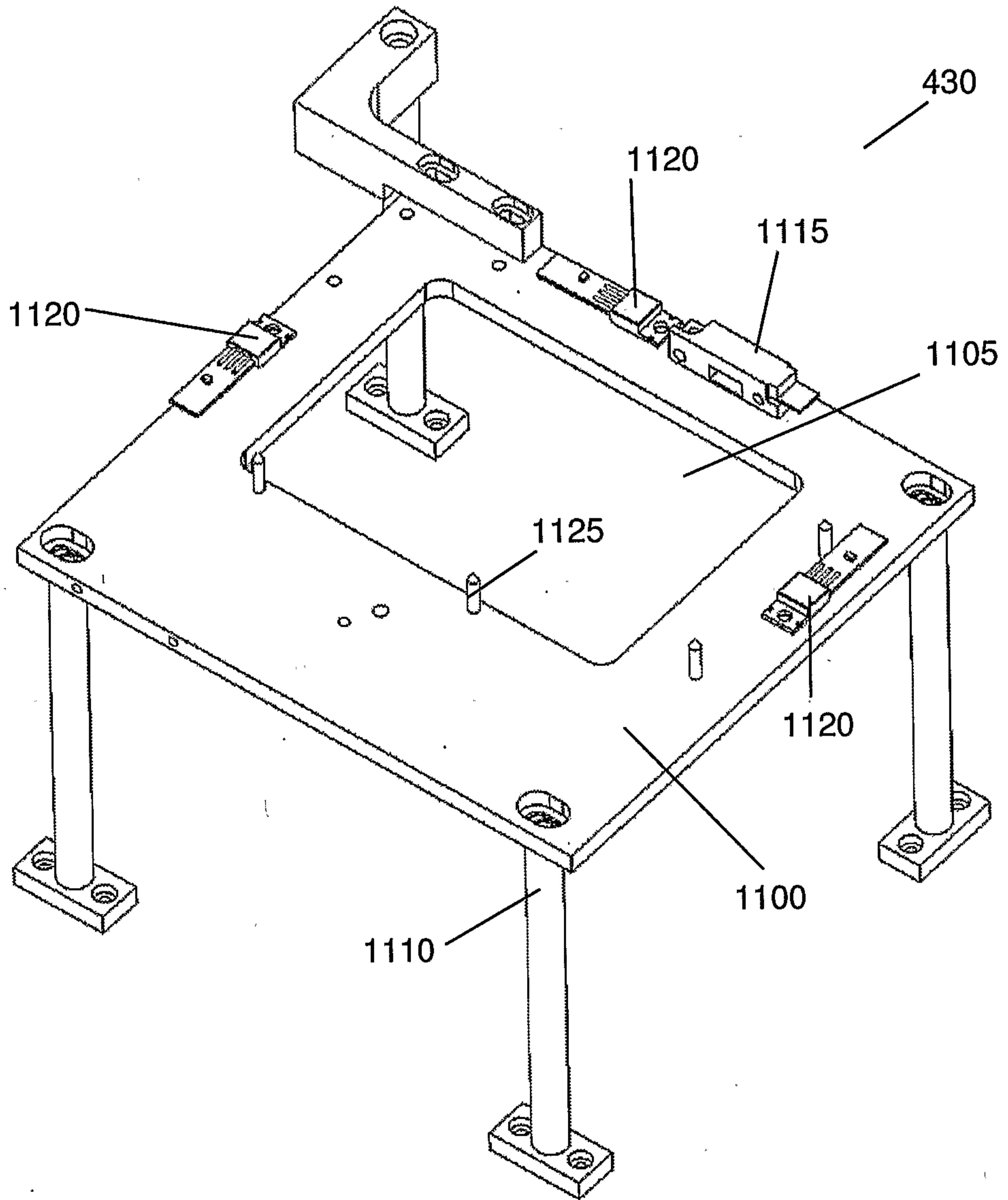


Figure 21



24/35

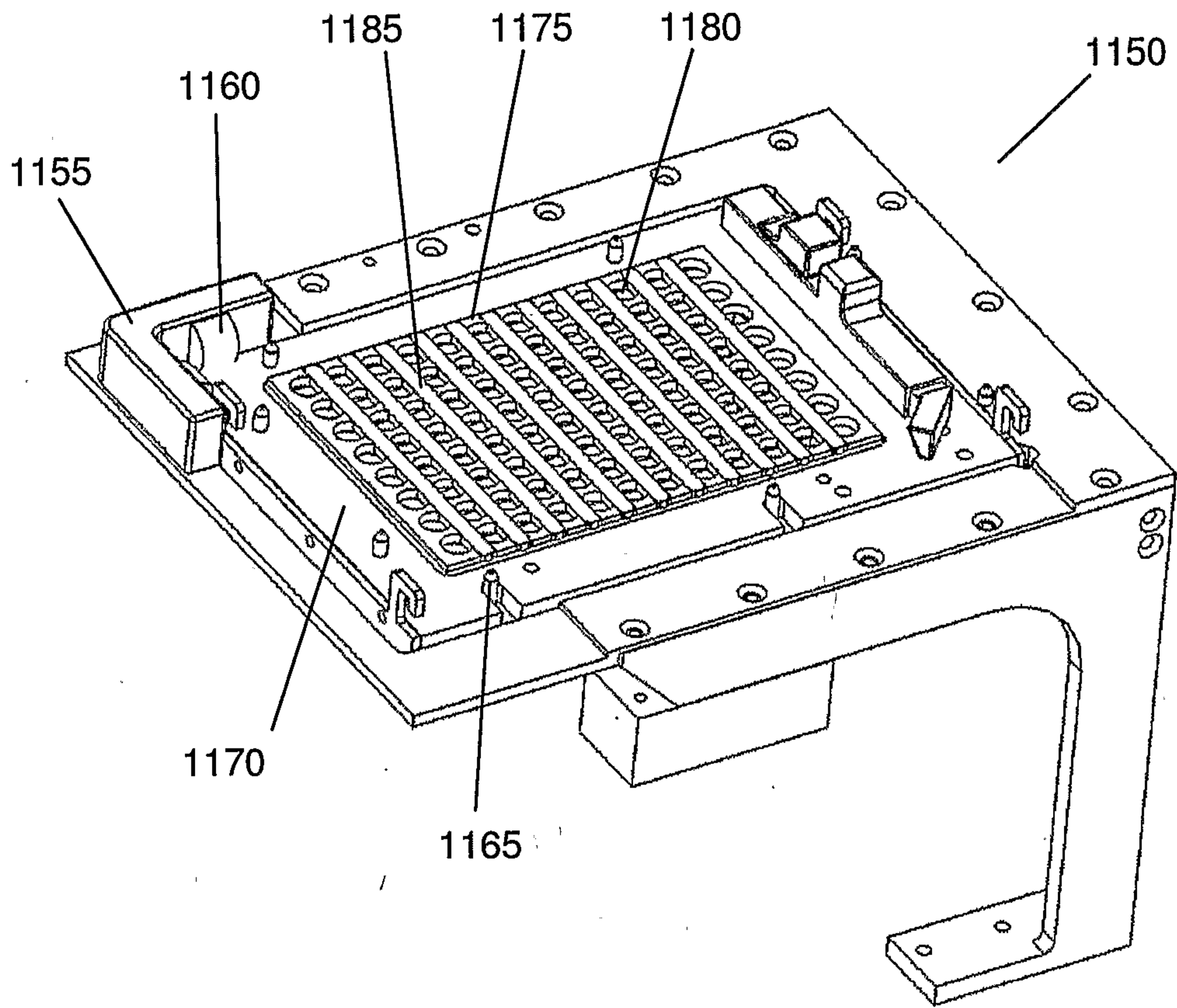


Figure 22

25/35

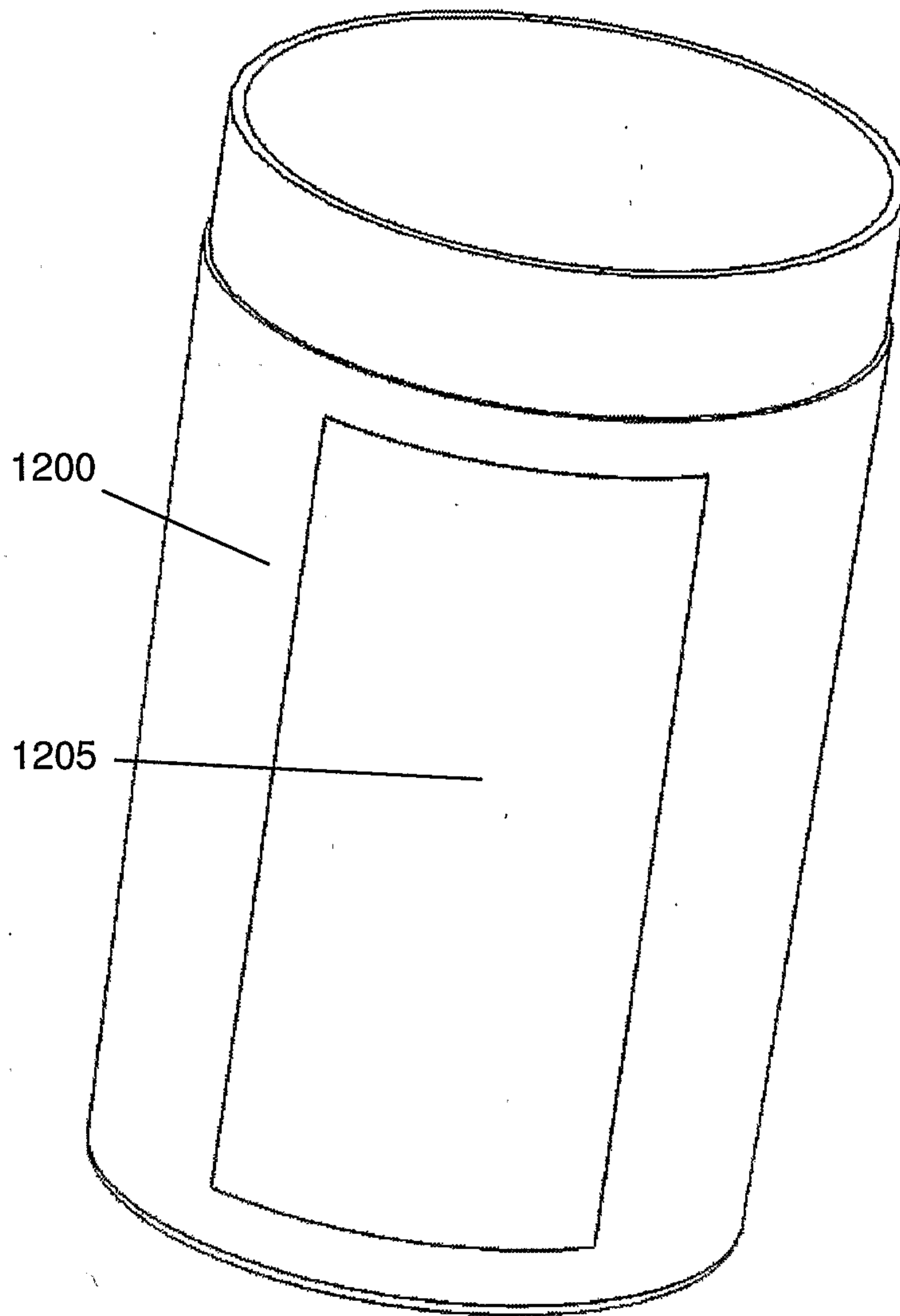


Figure 23

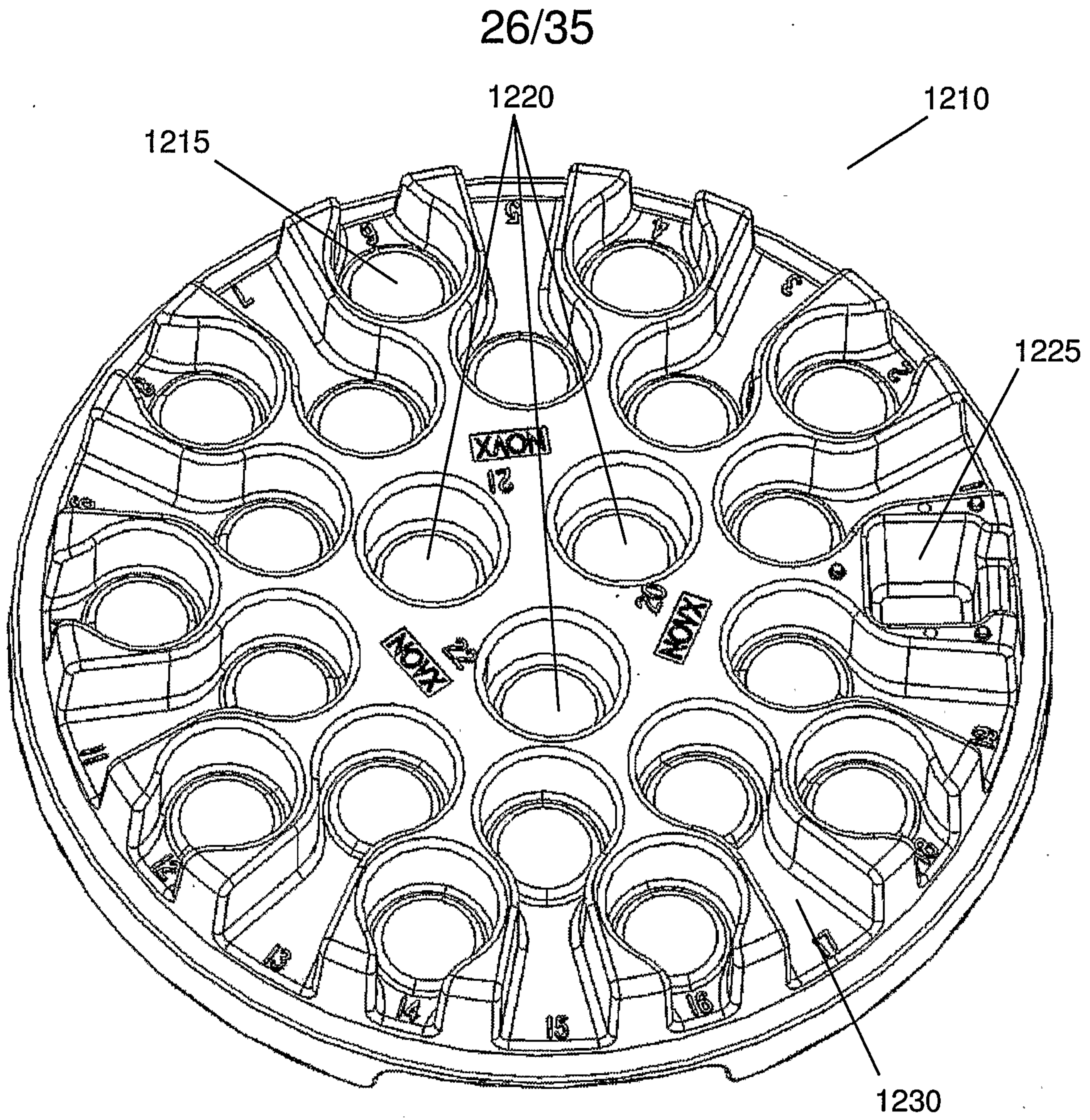


Figure 24

27/35

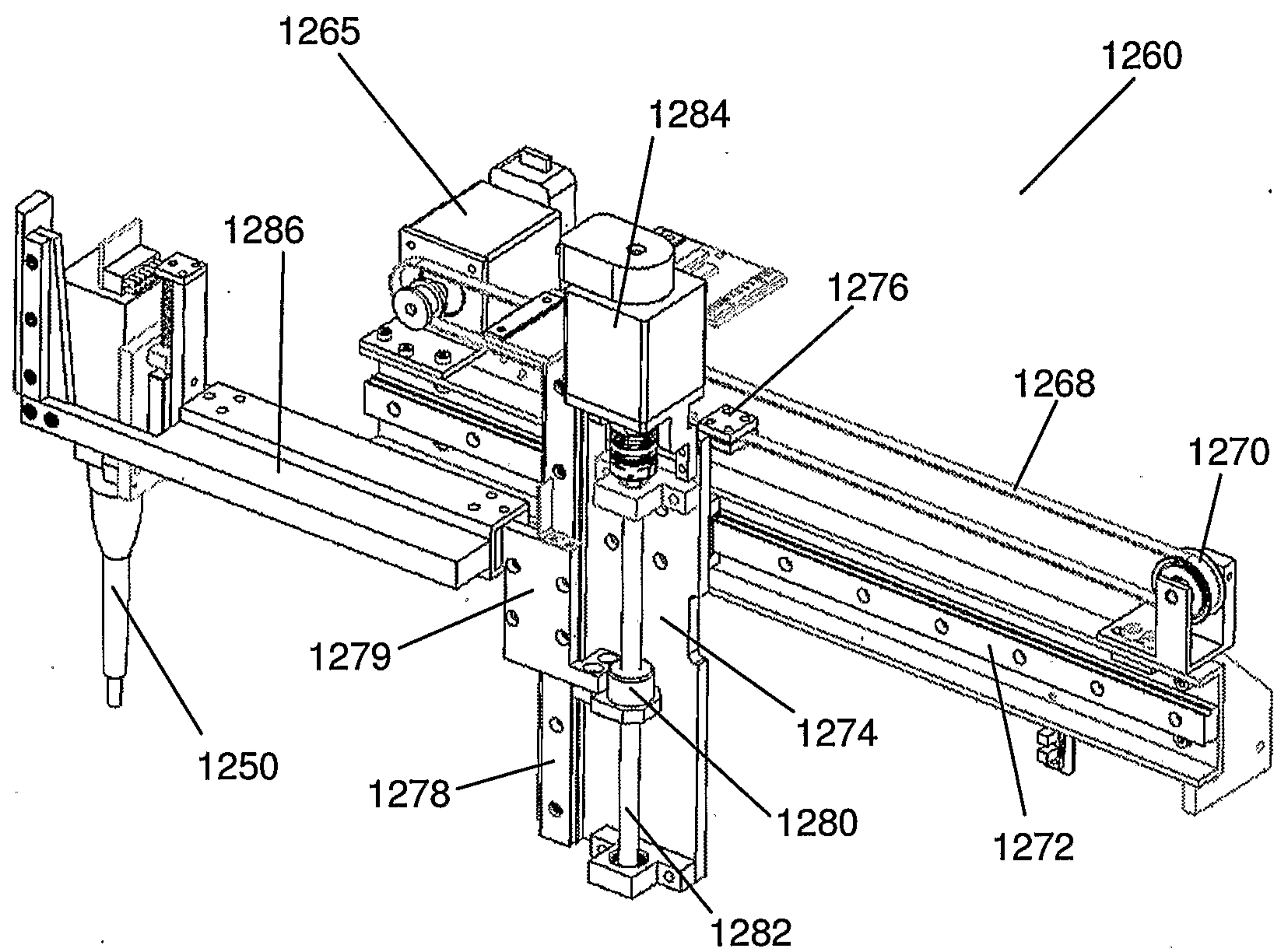


Figure 25

28/35

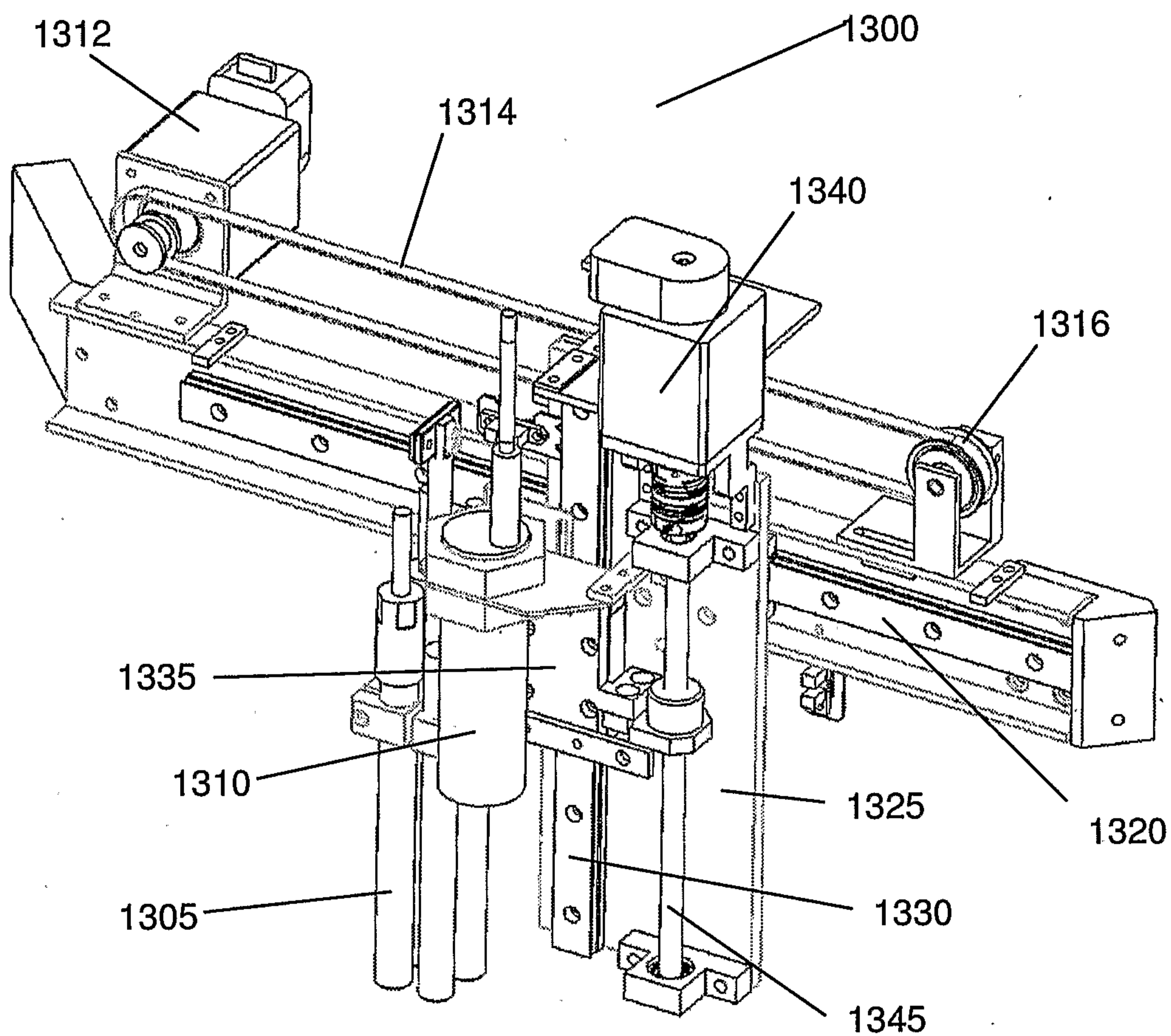


Figure 26

29/35

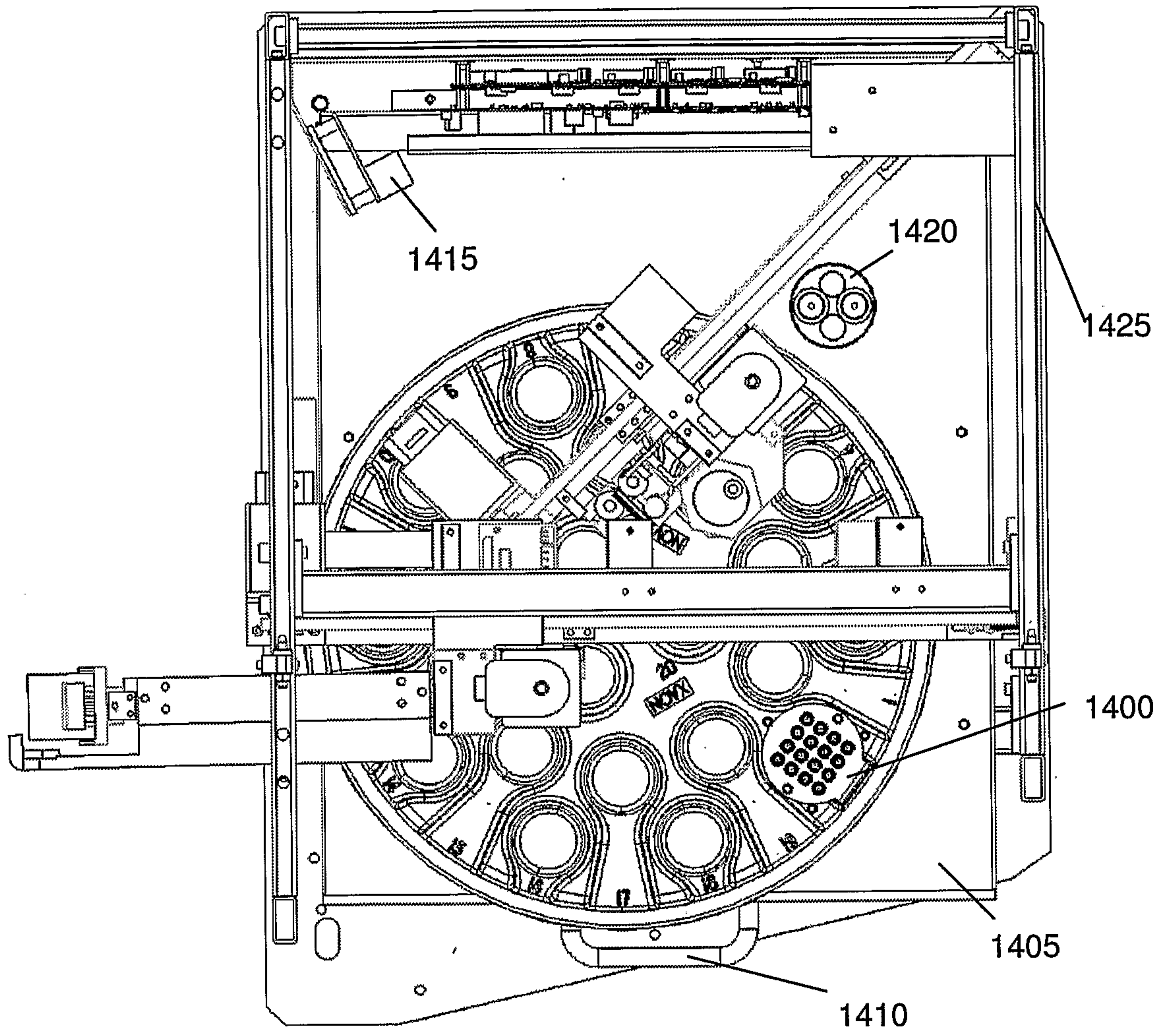


Figure 27

30/35

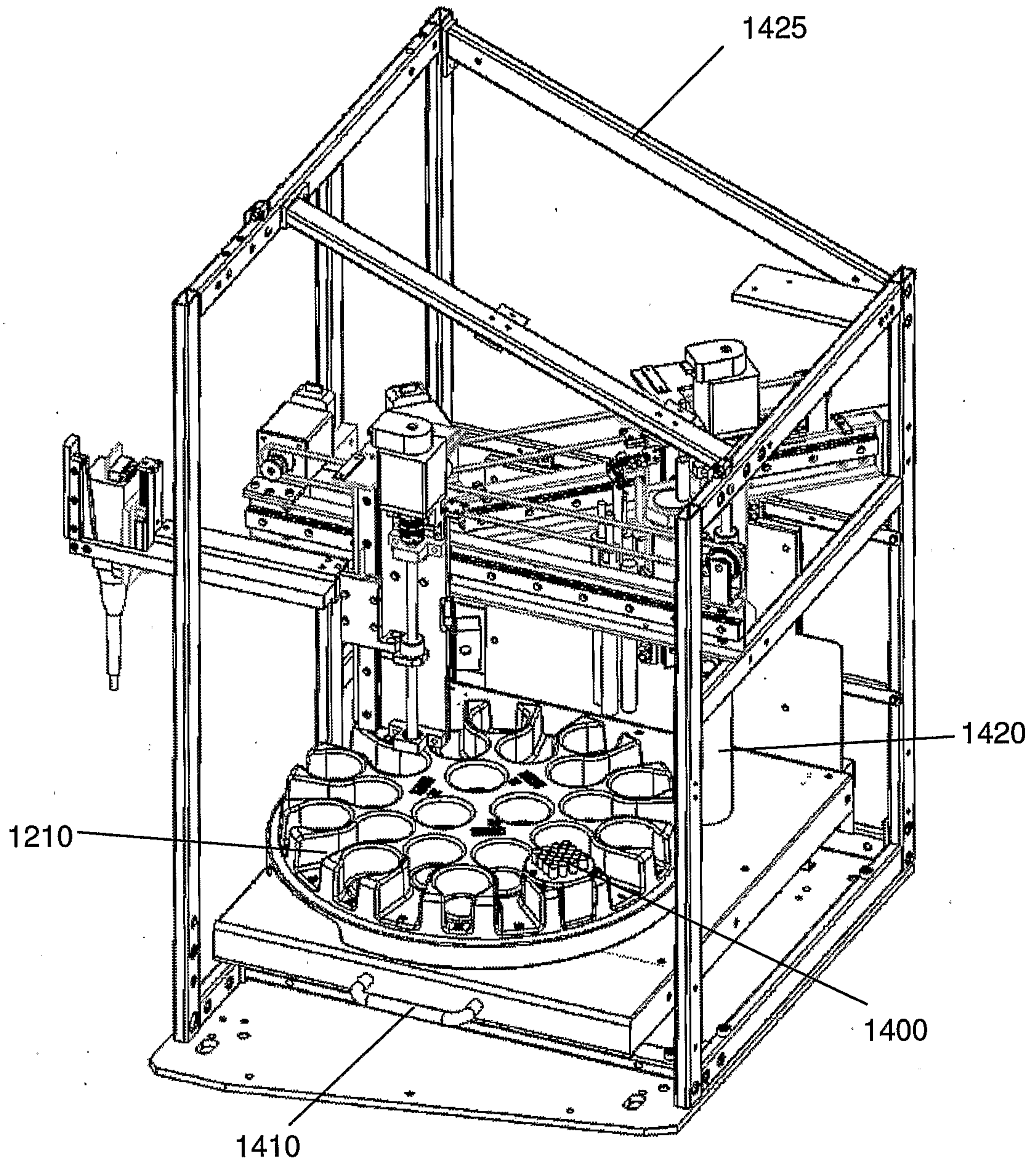


Figure 28

31/35

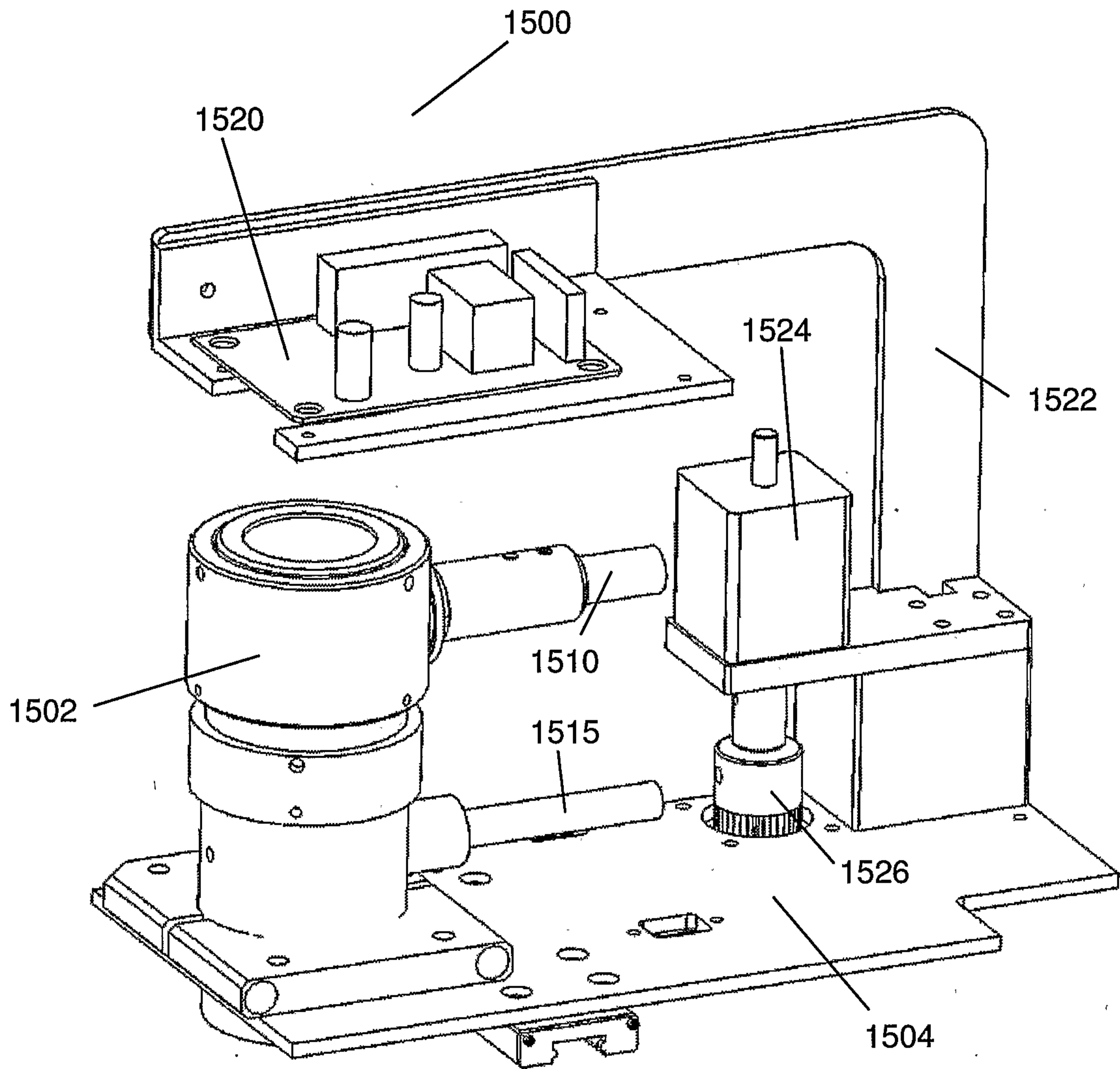


Figure 29



32/35

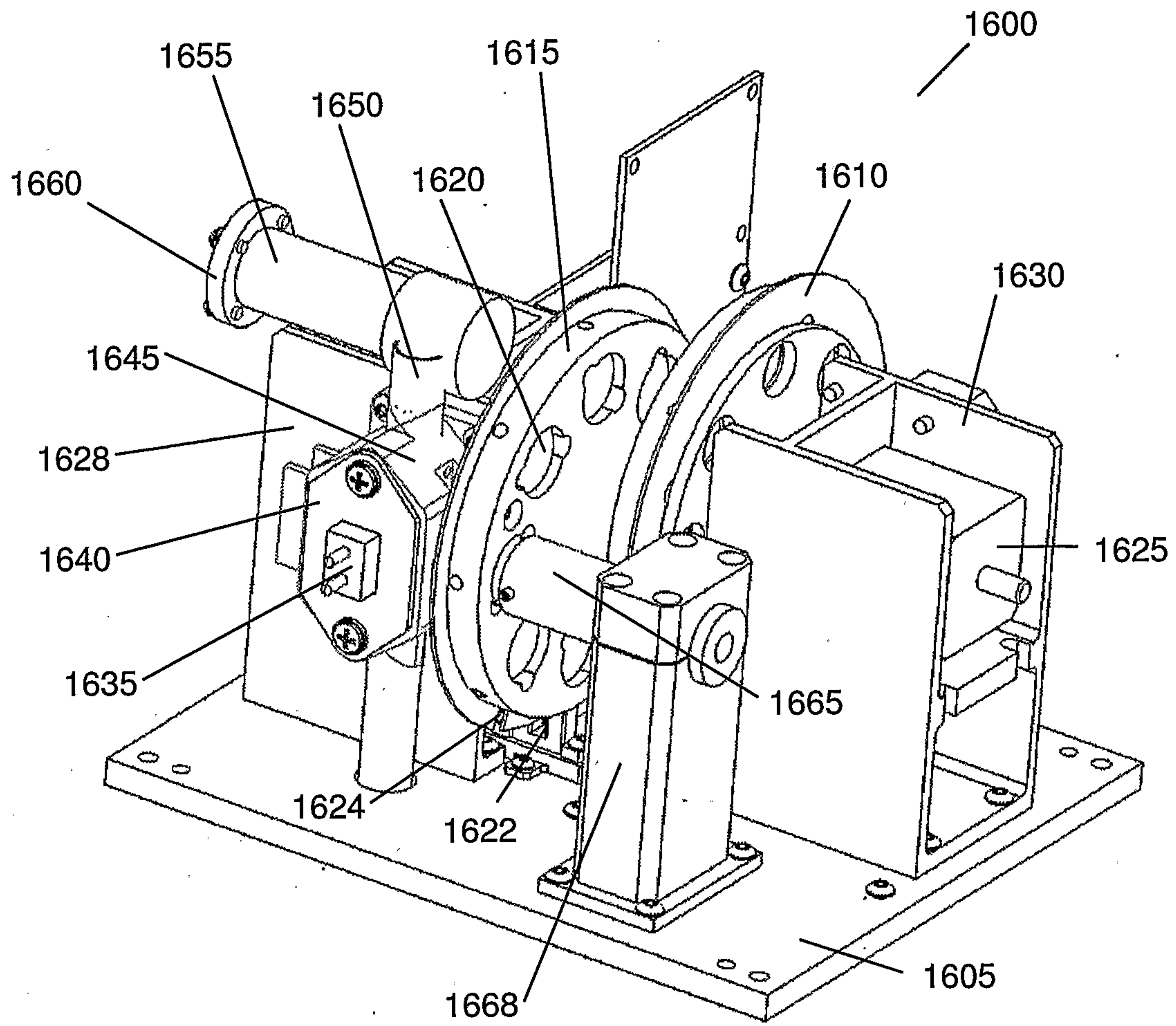


Figure 30

33/35

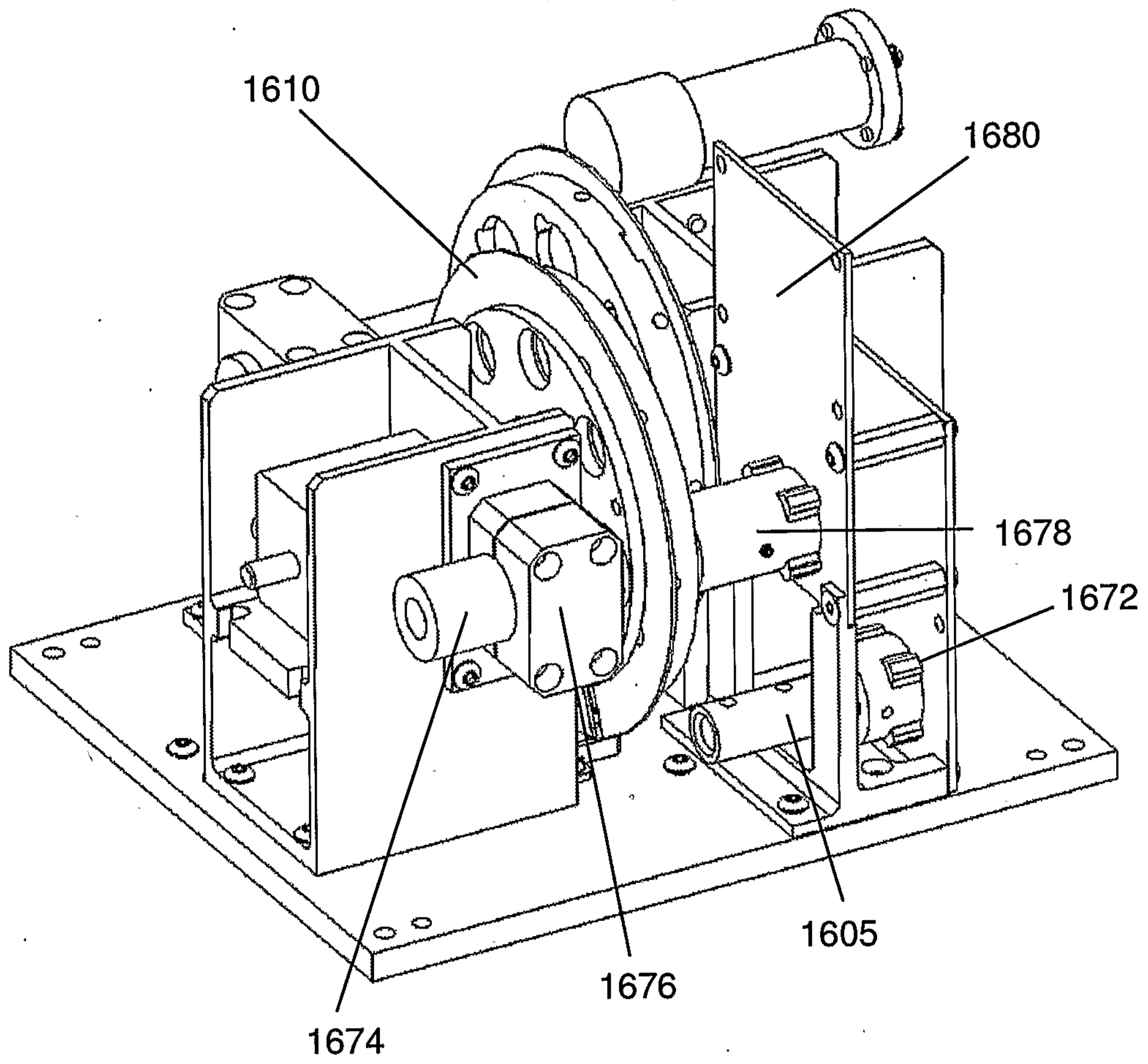


Figure 31

34/35

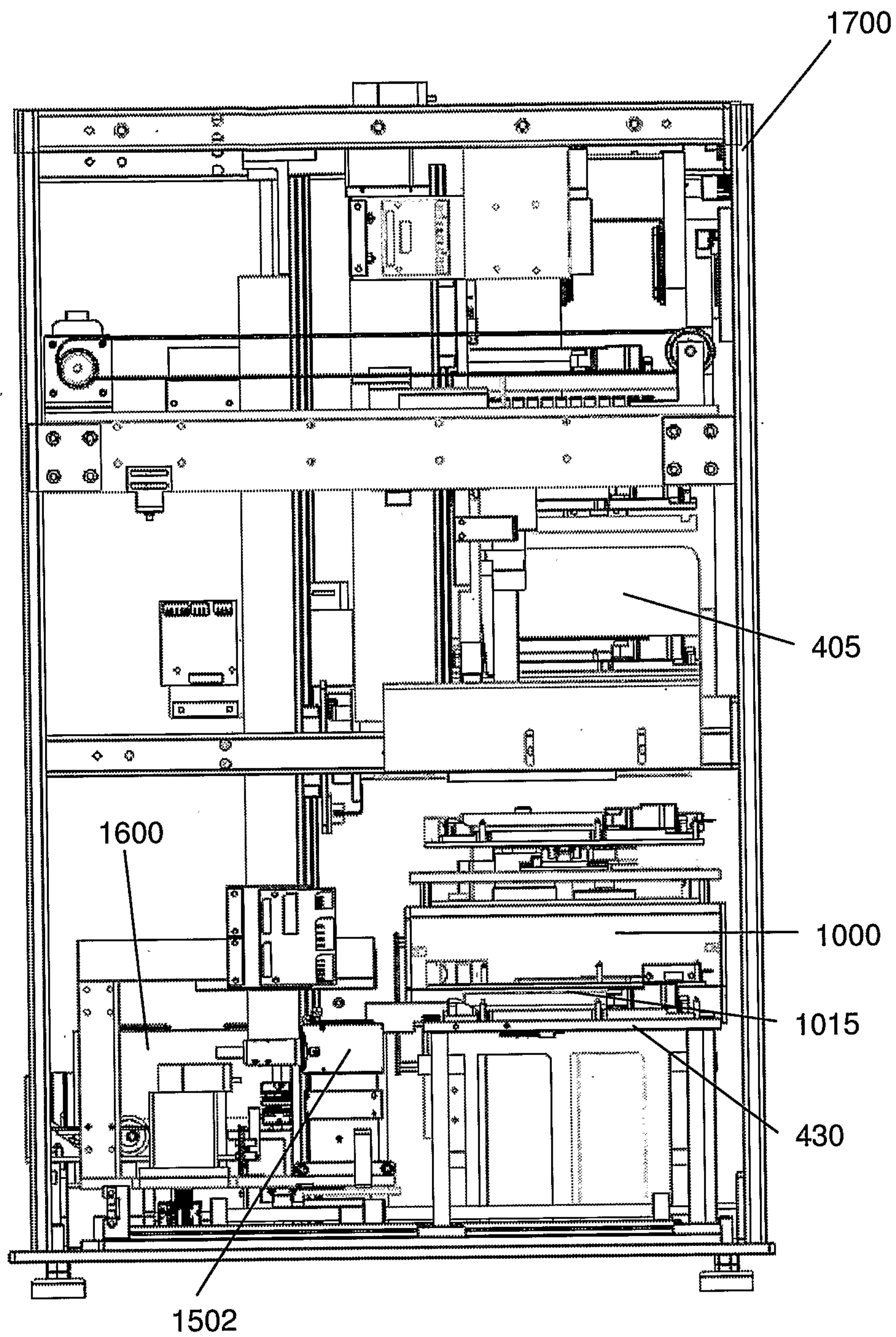


Figure 32

35/35

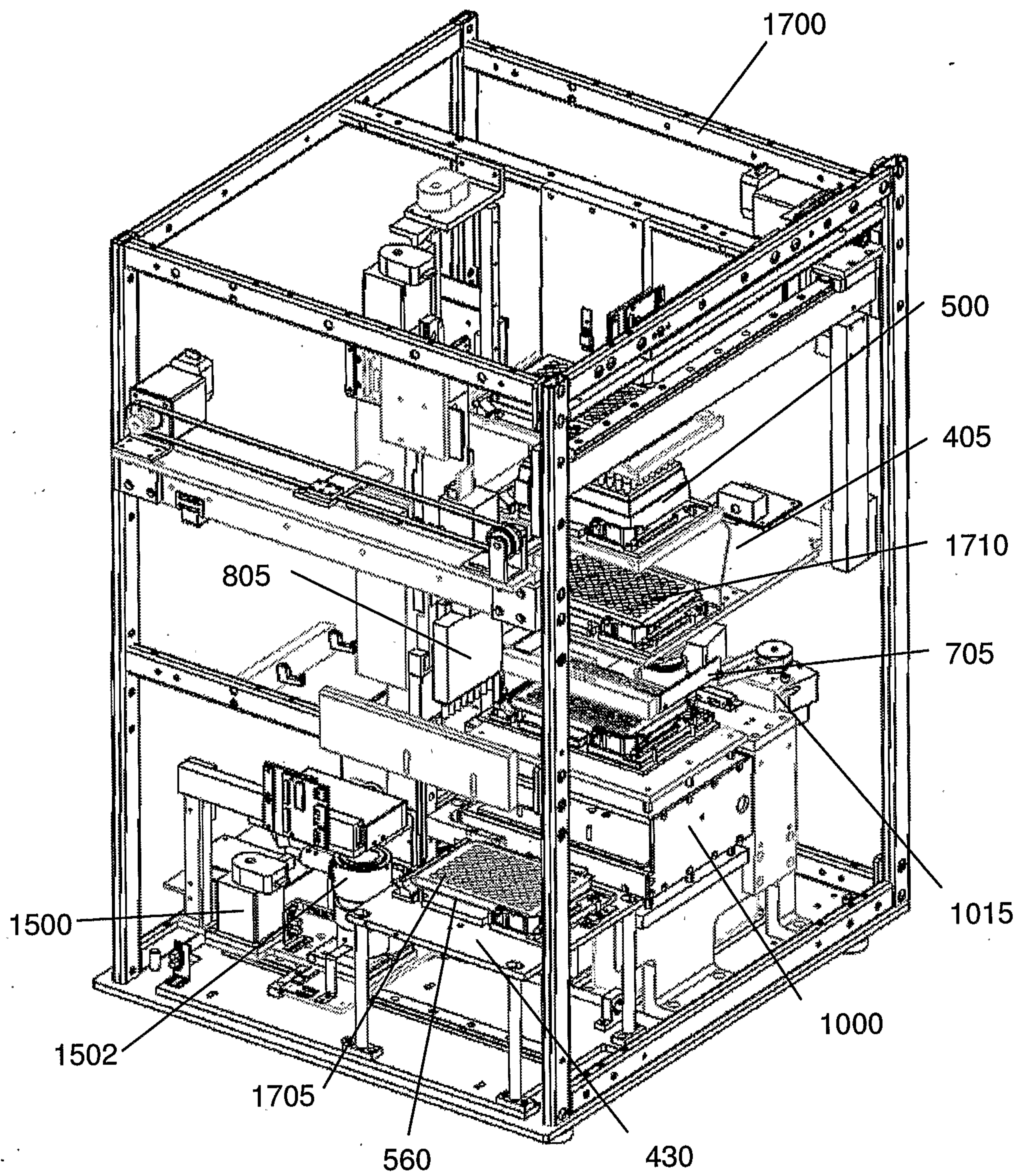


Figure 33

