

(19) World Intellectual Property Organization
International Bureau



(43) International Publication Date
16 December 2010 (16.12.2010)

(10) International Publication Number
WO 2010/143890 A3

(51) International Patent Classification:
A47L 9/28 (2006.01) A47L 9/16 (2006.01)
A47L 11/20 (2006.01)

(KR). LEE, Hak Bong [KR/KR]; 305, Regent, 797-12, Wolgye-dong, Gwangsan-gu, Gwangju 506-822 (KR).

(21) International Application Number:
PCT/KR2010/003708

(74) Agent: SUH, Won Ho; 9th Fl., Seolim Bldg., 649-10, Youksam-dong, Gangnam-gu, Seoul 135-080 (KR).

(22) International Filing Date:
10 June 2010 (10.06.2010)

(81) Designated States (unless otherwise indicated, for every kind of national protection available): AE, AG, AL, AM, AO, AT, AU, AZ, BA, BB, BG, BH, BR, BW, BY, BZ, CA, CH, CL, CN, CO, CR, CU, CZ, DE, DK, DM, DO, DZ, EC, EE, EG, ES, FI, GB, GD, GE, GH, GM, GT, HN, HR, HU, ID, IL, IN, IS, JP, KE, KG, KM, KN, KP, KZ, LA, LC, LK, LR, LS, LT, LU, LY, MA, MD, ME, MG, MK, MN, MW, MX, MY, MZ, NA, NG, NI, NO, NZ, OM, PE, PG, PH, PL, PT, RO, RS, RU, SC, SD, SE, SG, SK, SL, SM, ST, SV, SY, TH, TJ, TM, TN, TR, TT, TZ, UA, UG, US, UZ, VC, VN, ZA, ZM, ZW.

(25) Filing Language: English

(26) Publication Language: English

(30) Priority Data:
61/185,618 10 June 2009 (10.06.2009) US
10-2009-0058434 29 June 2009 (29.06.2009) KR
10-2009-0062246 8 July 2009 (08.07.2009) KR

(71) Applicant (for all designated States except US): SAM-SUNG GWANGJU ELECTRONICS CO., LTD. [KR/KR]; 271, Oseon-dong, Gwangsan-gu, Gwangju 506-723 (KR).

(84) Designated States (unless otherwise indicated, for every kind of regional protection available): ARIPO (BW, GH, GM, KE, LR, LS, MW, MZ, NA, SD, SL, SZ, TZ, UG, ZM, ZW), Eurasian (AM, AZ, BY, KG, KZ, MD, RU, TJ, TM), European (AL, AT, BE, BG, CH, CY, CZ, DE, DK, EE, ES, FI, FR, GB, GR, HR, HU, IE, IS, IT, LT, LU, LV, MC, MK, MT, NL, NO, PL, PT, RO, SE, SI, SK, SM, TR), OAPI (BF, BJ, CF, CG, CI, CM, GA, GN, GQ, GW, ML, MR, NE, SN, TD, TG).

(72) Inventors; and

(75) Inventors/Applicants (for US only): HAN, Jung Gyun [KR/KR]; 501-1604, Sinchang 5-cha Hoban Vertium, Sinchang-dong, Gwangsan-gu, Gwangju 506-745 (KR). KIM, Myeong Ho [KR/KR]; 604-1003, Jugong Apt., Unnam-dong, Gwangsan-gu, Gwangju 506-780 (KR). KIM, Kyoung Woun [KR/KR]; 200-55, Dongmyeong-dong, Dong-gu, Gwangju 501-815 (KR). MOON, Ju Sung [KR/KR]; 501-2004, Sinchang 5-cha Hoban Vertium, Sinchang-dong, Gwangsan-gu, Gwangju 506-745

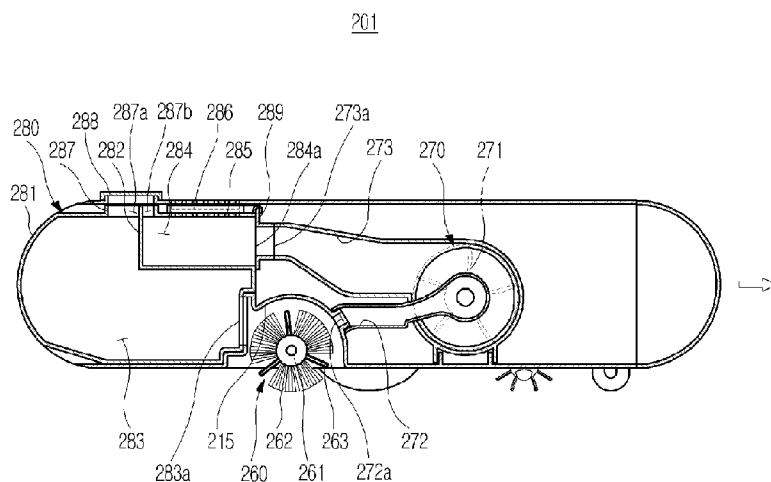
Published:

- with international search report (Art. 21(3))
- before the expiration of the time limit for amending the claims and to be republished in the event of receipt of amendments (Rule 48.2(h))

[Continued on next page]

(54) Title: CLEANING APPARATUS AND DUST COLLECTING METHOD USING THE SAME

[Fig. 8]



(57) Abstract: A cleaning apparatus and a dust collecting method using the same are provided. The cleaning apparatus includes a body, a brush unit rotatably provided at the body, a dust collecting unit to store contaminants, such as dust, swept by the brush unit, and a blowing unit to suction contaminants, such as dust, scattered by the brush unit and to move the suctioned contaminants to the dust collecting unit.

WO 2010/143890 A3

(88) Date of publication of the international search report:
31 March 2011

A. CLASSIFICATION OF SUBJECT MATTER*A47L 9/28(2006.01)i, A47L 11/20(2006.01)i, A47L 9/16(2006.01)i*

According to International Patent Classification (IPC) or to both national classification and IPC

B. FIELDS SEARCHED

Minimum documentation searched (classification system followed by classification symbols)

A47L 9/28; A47L 9/00; A47L 11/00; A47L 9/04; A47L 5/28; A47L 7/00

Documentation searched other than minimum documentation to the extent that such documents are included in the fields searched

Korean utility models and applications for utility models

Japanese utility models and applications for utility models

Electronic data base consulted during the international search (name of data base and, where practicable, search terms used)

eKOMPASS(KIPO internal) & Keywords: cleaning, apparatus, blowing unit, dust collecting unit, inlet

C. DOCUMENTS CONSIDERED TO BE RELEVANT

Category*	Citation of document, with indication, where appropriate, of the relevant passages	Relevant to claim No.
A	JP 2005-102892 A (SANYO ELECTRIC CO LTD) 21 April 2005 See paragraphs 31-73 and figures 1-34	1-27
A	JP 2006-312066 A (MITSUBISHI ELECTRIC CORP et al.) 16 November 2006 See paragraphs 8-27 and figures 1-21	1-27
A	KR 10-0697080 B1 (LG ELECTRONICS INC.) 20 March 2007 See claims 1-13 and figures 1-7	1-27
A	KR 10-0711972 B1 (YUJIN ROBOTICS CO., LTD.) 02 May 2007 See claims 1-8 and figures 1-15	1-27

 Further documents are listed in the continuation of Box C. See patent family annex.

* Special categories of cited documents:

"A" document defining the general state of the art which is not considered to be of particular relevance

"E" earlier application or patent but published on or after the international filing date

"L" document which may throw doubts on priority claim(s) or which is cited to establish the publication date of citation or other special reason (as specified)

"O" document referring to an oral disclosure, use, exhibition or other means

"P" document published prior to the international filing date but later than the priority date claimed

"T" later document published after the international filing date or priority date and not in conflict with the application but cited to understand the principle or theory underlying the invention

"X" document of particular relevance; the claimed invention cannot be considered novel or cannot be considered to involve an inventive step when the document is taken alone

"Y" document of particular relevance; the claimed invention cannot be considered to involve an inventive step when the document is combined with one or more other such documents, such combination being obvious to a person skilled in the art

"&" document member of the same patent family

Date of the actual completion of the international search

20 JANUARY 2011 (20.01.2011)

Date of mailing of the international search report

20 JANUARY 2011 (20.01.2011)

Name and mailing address of the ISA/KR

Korean Intellectual Property Office
Government Complex-Daejeon, 139 Seonsa-ro, Seo-gu, Daejeon 302-701, Republic of Korea

Facsimile No. 82-42-472-7140

Authorized officer

KANG, TACK JUNG

Telephone No. 82-42-481-5487



INTERNATIONAL SEARCH REPORT

Information on patent family members

International application No.

PCT/KR2010/003708

Patent document cited in search report	Publication date	Patent family member(s)	Publication date
JP 2005-102892 A	21.04.2005	None	
JP 2006-312066 A	16.11.2006	None	
KR 10-0697080 B1	20.03.2007	None	
KR 10-0711972 B1	02.05.2007	None	