



(12) **United States Design Patent**
Asano

(10) **Patent No.:** **US D970,604 S**
(45) **Date of Patent:** **** *Nov. 22, 2022**

- (54) **PRINTER**
- (71) Applicant: **BROTHER INDUSTRIES, LTD.**,
Nagoya (JP)
- (72) Inventor: **Masahide Asano**, Nagoya (JP)
- (73) Assignee: **BROTHER INDUSTRIES, LTD.**,
Nagoya (JP)

D737,895 S *	9/2015	Nanno	D18/50
D743,483 S	11/2015	Nanno et al.	
D743,484 S	11/2015	Nanno et al.	
D752,138 S *	3/2016	Seki	D18/50
D770,565 S *	11/2016	Tanaka	D18/50
D806,790 S	1/2018	Sato	
D815,683 S *	4/2018	Tanaka	D18/50
D827,021 S	8/2018	Asano et al.	

(Continued)

FOREIGN PATENT DOCUMENTS

CN	302299324	*	1/2013
CN	306003936	*	8/2020

(Continued)

OTHER PUBLICATIONS

Amazon. Link: https://www.amazon.com/dp/B09HZ6L79N/ref=sspa_dk_detail_2?psc=1&pd_rd_i=B09HZ6L79N&pd_rd_w=h8Ak9&pf_rd_p=b9951ce4-3bd8-4b04-91%E2%80%A6. Oct. 8, 2021. Brother HL-L23 00d Compact Laser Monochrome Printer. (Year: 2021).*

(Continued)

Primary Examiner — Lauren D McVey
(74) *Attorney, Agent, or Firm* — Oliff PLC

(57) **CLAIM**

The ornamental design for a printer, as shown and described.

DESCRIPTION

FIG. 1 is a perspective view of the printer; FIG. 2 is a front elevational view thereof; FIG. 3 is a rear elevational view thereof; FIG. 4 is a left-side elevational view thereof; FIG. 5 is a right-side elevational view thereof; FIG. 6 is a top plan view thereof; and, FIG. 7 is a bottom plan view thereof. The evenly spaced broken lines depict unclaimed parts of the printer and form no part of the claimed design.

1 Claim, 7 Drawing Sheets

- (*) Notice: This patent is subject to a terminal disclaimer.
- (**) Term: **15 Years**

(21) Appl. No.: **29/690,299**

(22) Filed: **May 7, 2019**

(30) **Foreign Application Priority Data**

Nov. 8, 2018 (JP) 2018-024533

(51) **LOC (13) Cl.** **14-02**

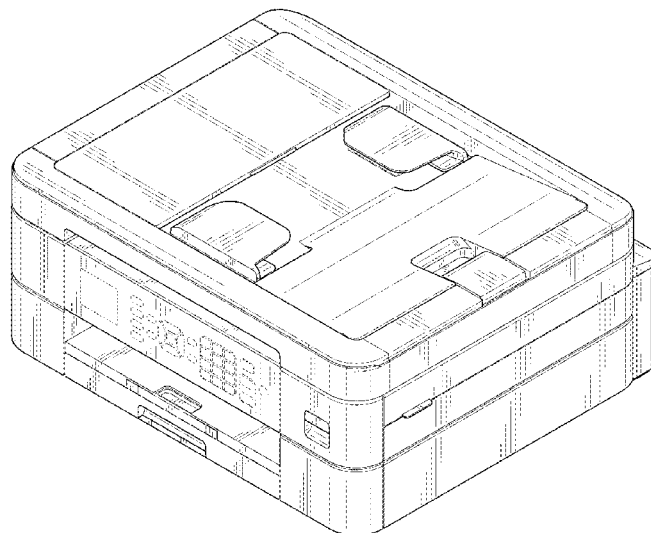
(52) **U.S. Cl.**
USPC **D18/50**

(58) **Field of Classification Search**
USPC D18/50, 53, 54, 55, 56, 59, 36, 37, 38,
D18/39, 40, 41, 45; D14/301, 307, 121
CPC H04N 1/00278; H04N 1/00204; H04N
1/00249; G06K 15/12; G06K 15/14; B41J
3/00; B41J 3/28; B41J 3/445; B41J 3/46
See application file for complete search history.

(56) **References Cited**

U.S. PATENT DOCUMENTS

D614,234 S *	4/2010	Ishikawa	D18/55
D648,377 S *	11/2011	Miyauchi	D18/50
D667,051 S *	9/2012	Sato	D18/50
D670,327 S *	11/2012	Yamashita	D18/55
D675,673 S *	2/2013	Sato	D18/50
D678,402 S *	3/2013	Sato	D18/50
D730,437 S *	5/2015	Seki	D18/50



(56)

References Cited

U.S. PATENT DOCUMENTS

D942,536 S * 2/2022 Odachi D18/53
2020/0316972 A1* 10/2020 Umehara B41J 29/02

FOREIGN PATENT DOCUMENTS

EP 3695973 A1 * 8/2020 B41J 2/17566
JP D1481590 * 4/2016
JP 2017007837 A * 1/2017 B65H 1/26
JP D1566380 * 12/2019
JP D1633760 * 2/2022

OTHER PUBLICATIONS

Amazon. Link: https://www.amazon.com/Premium-Canon-Inkjet-Printer-Resolution/dp/B09B7GGLCK/ref=psdc_172646_t4_B09D7Z6JVM. Jul. 26, 2021. Premium Canon PIXMA 2522 Series All-in-One Color Inkjet Printer. (Year: 2021).*

Amazon. Link: https://www.amazon.com/Brother-MFC-J460DW-Wireless-Automatic-Replenishment/dp/B015ACX13U/ref=sr_1_1?crid=K5JQXNZTWOGX&keyword=%E2%80%A6. Dec. 1, 2015. Brother MFC-J460DW, All-in-One Color Inkjet Printer. (Year: 2015).*

Amazon. Link: <https://www.amazon.com/Brother-Wireless-MFC-J491DW-Multi-Function-Replenishment/dp/B07C4V4WWF>. May 13, 2018. Brother Wireless All-in-One Inkjet Printer, MFC-J491DW. (Year: 2018).*

* cited by examiner

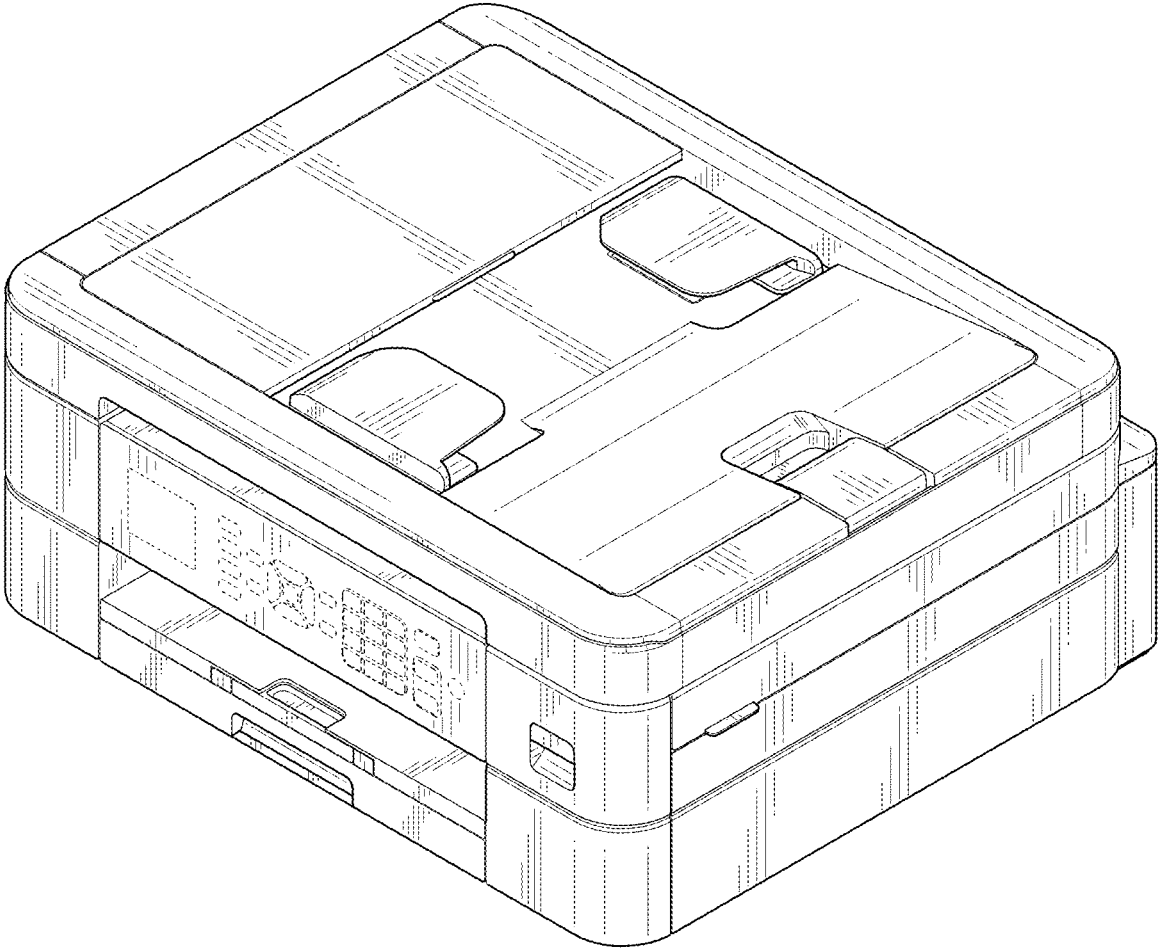


FIG. 1

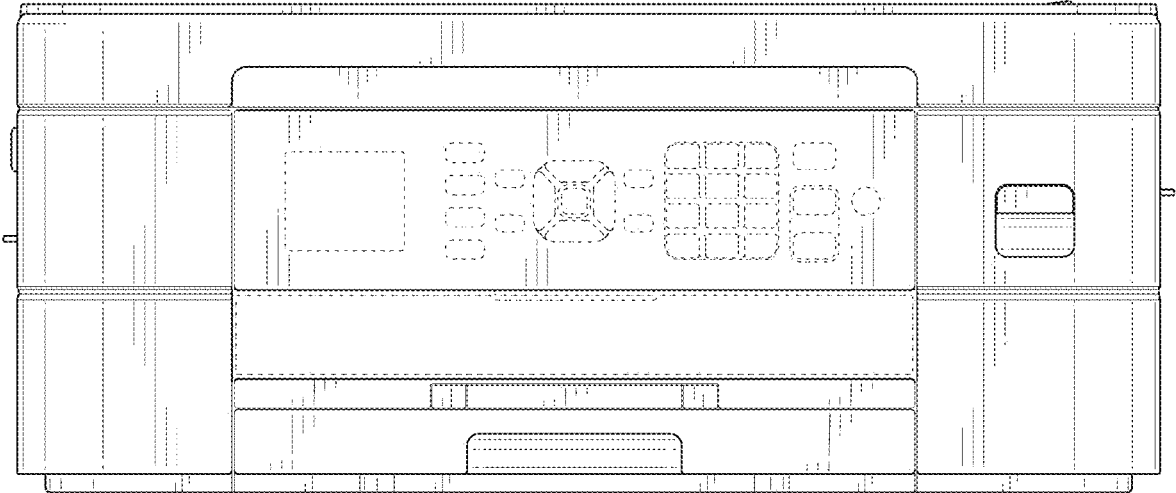


FIG. 2

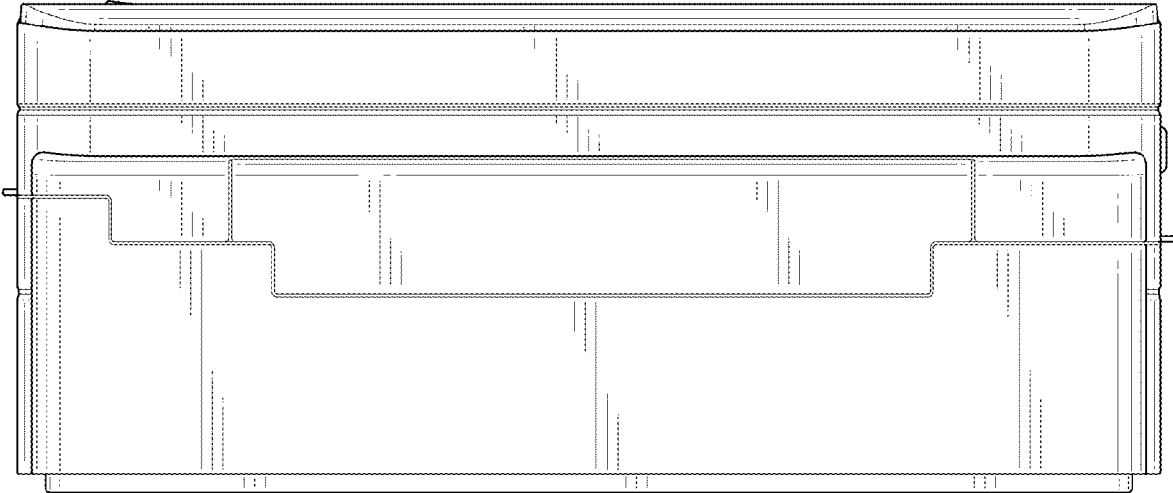


FIG. 3

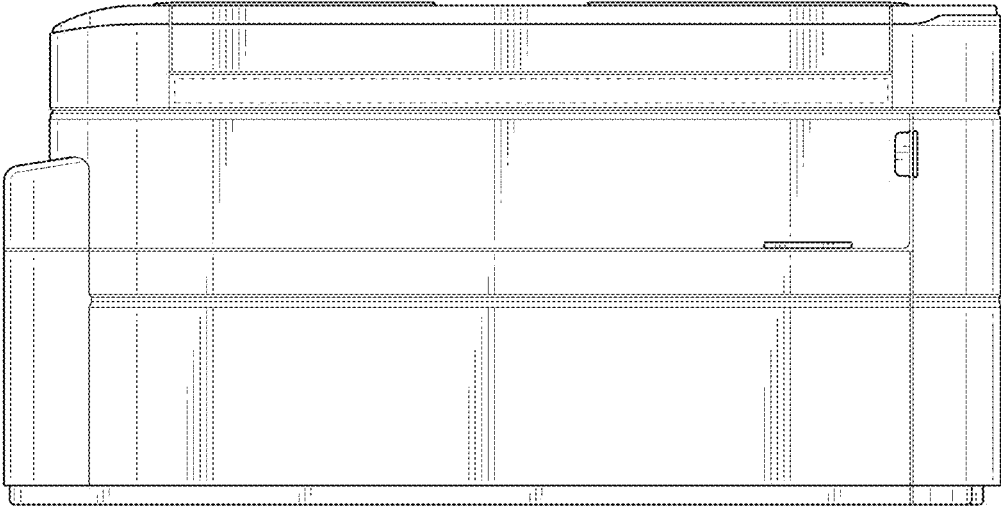


FIG. 4

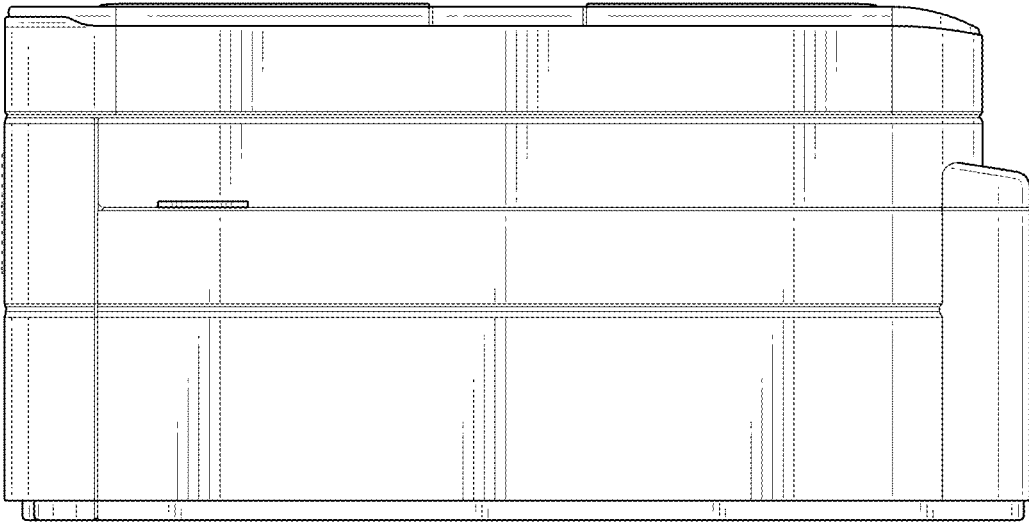


FIG. 5

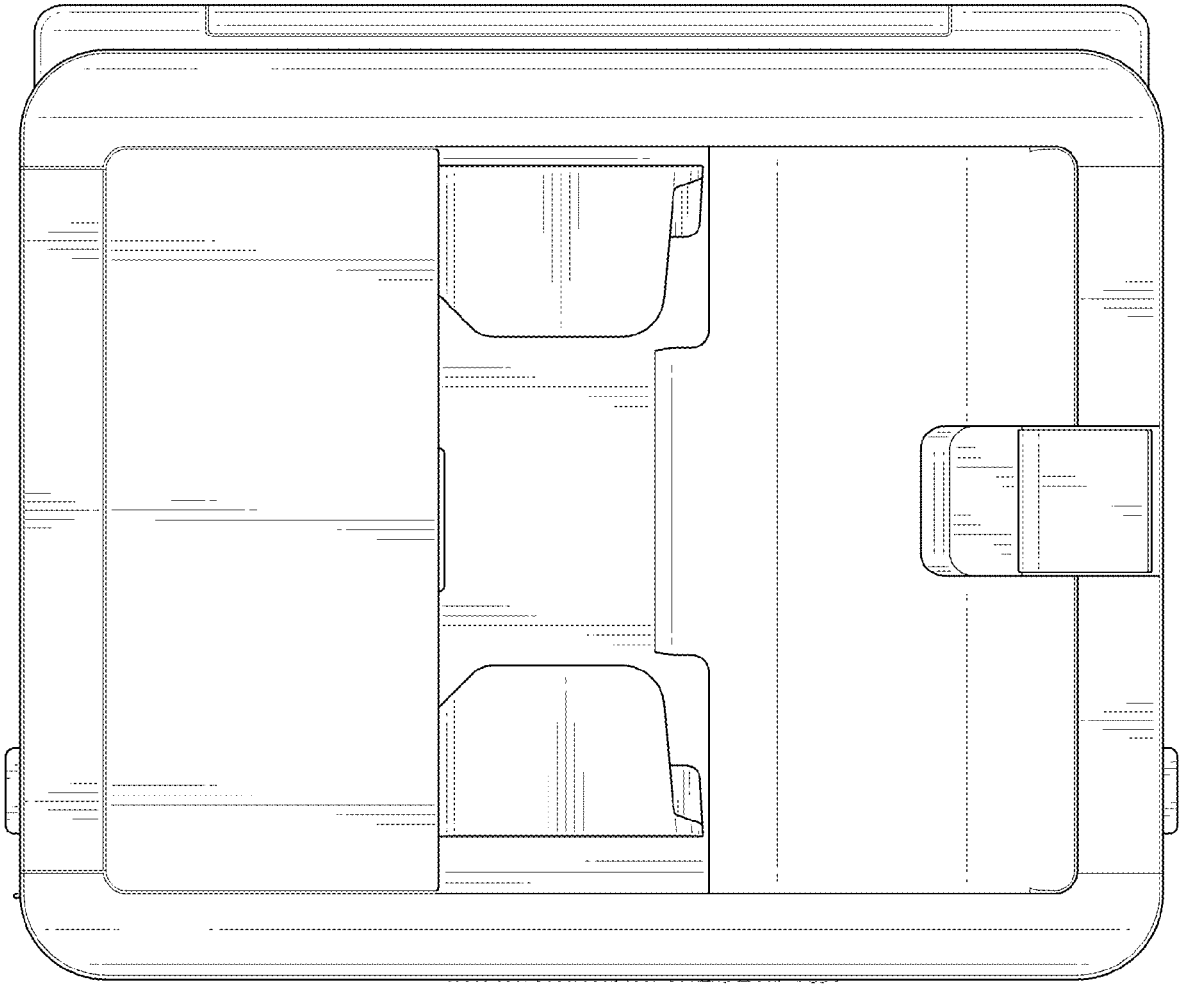


FIG. 6



FIG. 7