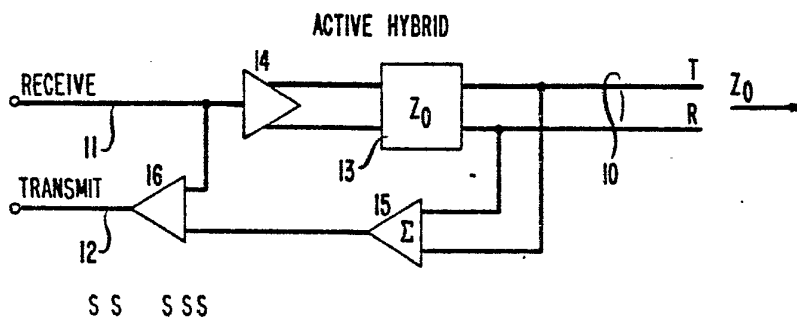




## INTERNATIONAL APPLICATION PUBLISHED UNDER THE PATENT COOPERATION TREATY (PCT)

<p>(51) International Patent Classification<sup>3</sup> : H04B 3/40</p>	<p>A1</p>	<p>(11) International Publication Number: WO 80/00770 (43) International Publication Date: 17 April 1980 (17.04.80)</p>
<p>(21) International Application Number: PCT/US79/00756 (22) International Filing Date: 24 September 1979 (24.09.79) (31) Priority Application Number: 949,576 (32) Priority Date: 10 October 1978 (10.10.78) (33) Priority Country: US  (71) Applicant: WESTERN ELECTRIC COMPANY, INCORPORATED [US/US]; 222 Broadway, New York, NY 10038 (US). (72) Inventor: SEIDEL, Harold; 40 Skyline Drive, Warren, NJ 07060 (US).</p>		<p>(74) Agents: SPENCER, Reuben et al.; Post Office Box 901, Princeton, NJ 08540 (US).  (81) Designated States: DE, GB, JP, NL, SE.  Published <i>With international search report</i></p>

(54) Title: DRIVING POINT IMPEDANCE



(57) Abstract

A class of electronic hybrids is disclosed in which the line balancing impedance (13) is made frequency-sensitive in order to better match the frequency characteristic of the connected line (10) and is made voltage-controlled ( $V_c$ ) in order that a single network can be used to match a variety of different gauges of telephone cable pairs (10). The magnitude of the balancing impedance (13) is inversely proportional to the square root of frequency in the low frequency range and is essentially constant in the high frequency range.

*FOR THE PURPOSES OF INFORMATION ONLY*

Codes used to identify States party to the PCT on the front pages of pamphlets publishing international applications under the PCT

AT	Austria	LU	Luxembourg
BR	Brazil	MC	Monaco
CF	Central African Republic	MG	Madagascar
CG	Congo	MW	Malaŵi
CH	Switzerland	NL	Netherlands
CM	Cameroon	RO	Romania
DE	Germany, Federal Republic of	SE	Sweden
DK	Denmark	SN	Senegal
FR	France	SU	Soviet Union
GA	Gabon	TD	Chad
GB	United Kingdom	TG	Togo
JP	Japan	US	United States of America

## DRIVING POINT IMPEDANCE

Background of the Invention1. Field of the Invention

5 This invention relates to bilateral transmission systems and, more particularly, to balancing impedances for adaptive frequency-sensitive active hybrids in such systems.

2. Description of the Prior Art

10 Hybrid circuits have been used in communications networks where it is necessary to couple a bidirectional 2-wire line to unidirectional sections of a 4-wire line. In a telephone system, for example, bidirectional signals are carried over the 2-wire subscriber loop but must be  
15 split into separate transmit and receive unidirectional signals at the central office and at the subscriber terminal. Various forms of hybrid circuits have been developed to achieve this function.

Standard hybrids for analog voice frequency  
20 signals utilize multiwinding transformers arranged to couple signals from the transmission port to the 2-wire access port and to couple signals from the 2-wire access port to the receiving port. By balancing the windings, however, signals imposed on the transmission port are  
25 canceled at the receiving port. Such hybrid transformers are comparatively large in size, are high in cost and have frequency-dependent transmission characteristics.

To overcome these disadvantages, various forms of transformerless or electronic hybrids have been proposed.  
30 In addition to providing the transmission ports described above, such a hybrid must also present to the 2-wire access port an impedance equal to the characteristic impedance of the connected 2-wire line. To a first approximation, this impedance has heretofore been assumed to be a constant,  
35 wholly resistive impedance and simple resistors have been utilized to simulate this characteristic impedance. It is clear, however, that the characteristic impedance of any 2-wire line has certain frequency-sensitive variations



which, if not taken into account, produce distortions and imbalances in the transmitted signals. These distortions and imbalances can often be ignored when the hybrid circuit is utilized for the transmission of narrowband analog voice signals such as are used in standard telephony. The frequency-sensitive characteristic impedance tends to vary with the gauge of the wires in the telephone loop.

In modern telephone systems, it has become necessary to connect wideband digital data terminals to such telephone loops. The hybrid transformer and resistive electric hybrids have proved unsuitable for the adequate transmission of such broadband digital signals. One such electric hybrid is disclosed in U. S. Patent No. 4,064,377, granted December 20, 1977.

#### 15 Summary of the Invention

In accordance with the illustrative embodiment of the present invention, an electronic hybrid is provided which includes a frequency-sensitive impedance circuit which closely matches the characteristic impedance of a twisted pair telephone loop over a broad band of frequencies. This characteristic impedance is closely simulated over a broad frequency range by an impedance the magnitude of which is inversely proportional to the square root of frequency in the low frequency range but which is essentially constant in the high frequency range.

In one embodiment of the present invention, the characteristic impedance is realized by a shunt-connected Norton equivalent source. This configuration is not only easy to realize, but has the added advantage of permitting a voltage-controlled adaptation of a fixed impedance network to a plurality of different gauges of conductors in the 2-wire circuit. Each gauge of wire produces a somewhat different low frequency characteristic impedance and thus a single circuit can be used to accommodate all of the various gauges of wires used in the telephone system.

#### Brief Description of the Drawing

In the drawings:



FIG. 1 is a general block diagram of an active hybrid circuit;

FIG. 2 is a graphical logarithmic representation of the magnitude of the characteristic impedance of a telephone loop versus frequency characteristic;

FIG. 3 is a more detailed block diagram of an active hybrid utilizing series-connected, frequency-dependent and voltage-controlled impedance elements to match the characteristic impedance of the connected telephone loop;

FIG. 4 is a more detailed block diagram of an active hybrid circuit utilizing shunt-connected, frequency-sensitive, voltage-controlled impedance elements for realizing the characteristic impedance of the connected telephone loop;

FIG. 5 is a more detailed circuit diagram of the active hybrid circuit shown in FIG. 4;

FIG. 6 is a resistive-capacitive network useful in realizing the characteristic impedances disclosed in FIG. 2;

FIG. 7 is a general block diagram of frequency-sensitive impedance elements useful in realizing the characteristic impedances of FIG. 2;

FIG. 8 is a more detailed block diagram of a 2-node Miller effect impedance multiplication circuit for realizing the impedance function shown in block form in FIG. 7;

FIG. 9 is a detailed circuit diagram of a long-tailed pair realization of hyperbolic tangent impedance functions of the voltage-controlled variable gain amplifiers shown in FIG. 8; and

FIG. 10 is a detailed block diagram of a simplified active hybrid circuit in accordance with the present invention which employs a floating power supply and a single frequency-sensitive, voltage-controlled impedance.

#### Detailed Description

In FIG. 1 there is shown a general block diagram



of an active hybrid which serves the function of interconnecting a 2-wire bidirectional transmission line 10 to a unidirectional receiving line 11 and a unidirectional transmitting line 12. The active hybrid 5 of FIG. 1 comprises an impedance element 13 which matches the characteristic impedance of transmission line 10 and thus prevents reflections of signals arriving on transmission line 10. The unbalanced unidirectional signal applied to transmission line 11 is converted to a 10 balanced signal by means of amplifier 14, the output of which is applied through characteristic impedance 13 to 2-wire transmission line 10. The signal arriving on transmission line 10 is applied through amplifier 15 to a differential amplifier 16. The signal from line 11 is 15 applied to the other input of differential amplifier 16 and thus transmitted signals are subtracted from the composite bidirectional signal on transmission line 10 in differential amplifier 16. Thus, only the signal delivered via transmission line 10 from a remote signal 20 source is delivered to transmission line 12.

It should be noted that amplifiers 14, 15 and 16 are standard configurations of broadband differential amplifiers as are well known in the art and that the recombinations taking place in amplifiers 15 and 16 are 25 completely insensitive to frequency. Thus, the configuration of FIG. 1 as a whole remains balanced throughout a very broad band of frequencies.

In order for an active hybrid of the form shown in FIG. 1 to be useful for the transmission of broadband 30 digital data, the conjugate arm separations in the hybrid must exceed 50dB and must do so over a frequency range from zero to hundreds of kHz. At the same time, such a hybrid must create a termination having a very large return loss over the same frequency range and preferably being capable 35 of adapting to the wide variety of cable sizes existing in the telephone plant.

The characteristic impedance of a transmission line, such as a telephone cable, is given by



$$(1) \quad Z = \sqrt{\frac{R + i\omega L}{C + i\omega C}}$$

where R, L, G and C are the per unit length resistance, inductance, conductance, capacitance, respectively, of the transmission cable.

5 To a first order of approximation, the conductance G is vanishingly small, represented by the leakage of the cable. Modern paper and plastic insulated cable inherently provide such small conductances. If the conductance G is assumed to be 0, equation (1) suggests two  
10 dominant regions of different frequency behavior of the characteristic impedance with a transition region therebetween:

(a)  $\omega \ll \frac{R}{L}$ , (0 - 20 kHz) where the characteristic impedance is essentially inversely  
15 proportional to frequency, given by  $Z = \sqrt{\frac{R}{i\omega C}}$ , and  
(b)  $\omega \gg \frac{R}{L}$ , (> 100 kHz) where the characteristic impedance is essentially a constant, given by  $Z = \sqrt{\frac{L}{C}}$ .

This impedance function is shown in FIG. 2.

20 To synthesize such a network, it is assumed that a small but finite conductance G is present in order to avoid a singularity at the origin. This introduces an artificial third region shown in FIG. 2 by line 20, where  $\omega \ll \frac{G}{C}$  and where the characteristic impedance is  
25 again constant and the conductance G is very small.

If the R, L, G and C parameters were truly independent of frequency, the characteristic impedance illustrated in FIG. 2 could be synthesized with a network consisting of only resistive and capacitive elements.  
30 These primary per unit length constants, however, do have slight frequency dependencies. These dependencies are sufficiently small for standard telephone cables that they can be ignored for voice frequency or low speed data service. For more exacting service such as, for example,  
35 wideband digital signaling, it is necessary to frequency shape these impedances and, moreover, to vary these impedances depending upon the gauge of the connected telephone cable since the low frequency characteristic



varies significantly with the gauge of the telephone cable.

In FIG. 3 there is shown a detailed block diagram of an active hybrid circuit using series-connected Thevenin equivalent sources for realizing the characteristic impedance of the transmission line. Thus, the bidirectional transmission line 30 is connected through the active hybrid to a unidirectional receive line 31 and a unidirectional transmit line 32 through serially-connected, frequency-sensitive, voltage-controlled impedances 33, 37, 38 and 39, each equivalent to one-half of the characteristic impedance of transmission line 30. Amplifier 34 converts the unbalanced transmission signal on line 31 to a balanced signal for launching on transmission line 30. Signals received by transmission line 30 are transmitted through frequency-sensitive, voltage-controlled impedances 33 and 39 and combined additively in amplifier 35, the output of which is applied to differential amplifier 36. Signals on transmission line 31 are applied to the other input of differential amplifier 36 to provide at transmit line 32 a signal from which the transmitted signal has been removed.

In FIG. 4 there is shown another form of active hybrid circuit for interconnecting a transmission line 50 with a unidirectional receive line 51 and a unidirectional transmit line 52. Again, the unbalanced receive signal on line 51 is converted to a balanced signal in amplifier 54 and applied to transmission line 50. A pair of Norton equivalent frequency-sensitive, voltage-controlled impedances 57 and 58 are connected in shunt across transmission line 50. Signals received on transmission line 50 are applied through amplifier 55 to amplifier 56 where they are differentially combined with the signals on receive line 51. The output of differential amplifier 56 appearing on transmit line 52 therefore includes only the signals received from a remote source via transmission line 50.

In FIG. 5 there is shown a more detailed circuit diagram of an electronic hybrid circuit utilizing shunt-





connected variable impedances as shown in FIG. 4. Reference numerals in FIG. 5 are identical to those utilized in FIG. 4 for those elements which exactly correspond. In particular, the unidirectional receive line 51 and the unidirectional transmit line 52 are coupled to a bidirectional transmission line 50 by means of the hybrid circuit shown in the figure. Unidirectional receive line 51 is connected to the base electrode of a transistor 60 having a voltage-controlled impedance 61 connected in its emitter circuit. Impedance 61 matches the impedance of the line and is under the control of voltage  $V_S$  which may be derived, as shown in FIG. 5, from a constant voltage source 62 by means of a variable resistance 63. The value of impedance 61 is equal to some multiple such as one-half of the characteristic impedance of transmission line 50 and provides an impedance value similar to that shown in FIG. 2. The collector of transistor 60 is grounded through a resistor 64 and is connected to the base of transistor 65. The collector-emitter path of transistor 65 is biased through resistors 66 and 67 and transforms the unbalanced signal applied to its base into a balanced signal which is applied to the bases of output transistors 68 and 69. The emitters of transistors 68 and 69 are connected to ground potential while the collectors are connected to the tip and ring conductors, respectively, of bidirectional transmission line 50. Connected between the tip and ring conductors of transmission line 50 are two voltage-controlled, frequency-sensitive impedances 57 and 58 having the same impedance values as impedance 61 and being under the same control voltage.

As shown in FIG. 4, the conductors of transmission line 50 are connected to a summing amplifier 55, the output of which is applied to one input of differential amplifier 56. The other input is taken from unidirectional receive line 51. The output of amplifier 56 comprises the received signal that is delivered to unidirectional transmit line 52.

In order to realize the frequency-sensitive impedances shown in FIGS. 1, 3, 4 and 5, it is first recognized that realization in impedance poles rather than impedance zeros implies larger capacitor values and therefore the admittance form of realization has been adopted. One such frequency-sensitive impedance circuit is shown in FIG. 6, corresponding with a good approximation to the impedance of a 22-gauge twisted pair in a telephone cable. The component values for the capacitors and resistors of FIG. 6 are shown in Table I.

Table I

C1 = .04436 $\mu$ f  
 C2 = .12953 $\mu$ f  
 C3 = .050319 $\mu$ f  
 C4 = .049305 $\mu$ f

R1 = 1087.347 ohms  
 R2 = 459.679 ohms  
 R3 = 455.674 ohms  
 R4 = 44.868 ohms  
 R5 = 91.000 ohms

An impedance with the desired value can, of course, be realized in either Foster form (series or shunt) or by a Cauer form of series and shunt elements.

The gauge-dependent characteristic impedance of a telephone pair can be characterized by an impedance of the form

$$(2) \quad Z(N) = C_1(N)Z_1(\omega) + C_2(N)Z_2,$$

where  $Z_1$  corresponds to the low frequency behavior of the cable pair with an artificially-induced small conductance  $G$  and  $Z_2$  is a conductance equal to 91 ohms which corresponds to the high frequency cable impedance. Both  $Z_1$  and  $Z_2$  can be realized as shown in FIG. 6. The quantities  $C_1(N)$  and  $C_2(N)$  are functions of the wire gauge  $N$ .

A circuit to realize the relationships of equation (2) is shown in FIG. 7 where equation (2) is rewritten as:

$$(3) \quad Z(N) = AZ_1 \frac{(1+k_1)}{(1+k_1+k_2)} + BZ_2 \frac{1}{(1+k_1+k_2)},$$

where

$$(4) \quad C_1(N) = A \frac{(1+k_1)}{(1+k_1+k_2)}$$

and

$$(5) \quad C_2(N) = B \frac{1}{(1+k_1+k_2)},$$

A and B being constants.

The impedance function of equation (3) can be realized by a two-node Miller effect impedance multiplication circuit as shown in FIG. 8. This circuit can, of course, be generalized for any number of nodes. The constants A and B are chosen arbitrarily to match the parameters of a 26-gauge twisted pair with A being equal to 1.85 and B being equal to 1.25. With these values, the circuit of FIG. 8 will match a 26-gauge cabled pair when the values of the impedance multipliers  $k_1$  and  $k_2$  are equal to 0. The necessary values of  $k_1$  and  $k_2$  to match the various wire gauges currently in use, assuming the above values for the constants A and B, are shown in Table II.

Table II

<u>N</u>	<u><math>k_1</math></u>	<u><math>k_2</math></u>
19	-.6155	.6317
22	-.3243	.5743
24	-.1634	.3539
26	0	0

The circuit of FIG. 8 comprises an RC impedance 70 and a resistive impedance 71 of the forms shown for  $Z_1$  and  $Z_2$ , respectively, in FIG. 6. The input voltage  $V_1$  across serially-connected impedances 70 and 71 is applied to a voltage multiplication circuit 72 having a multiplication factor under the control of control voltage  $V_c$ . The voltage at the midpoint of impedances 70 and 71 ( $V_2$ ) is applied to a voltage multiplication circuit 73, likewise under the control of a control



voltage  $V_c'$ . The outputs of voltage multiplication circuits 72 and 73 are additively combined in summing circuit 74, the output of which is applied to the remaining terminal of impedance 71.

5 The required values of  $k_1$  and  $k_2$  can be realized by hyperbolic tangent functions of the control voltage  $V_c$ , where

$$(6) \quad k_1 = -\tanh V_c$$

and

10 (7)  $k_2 = .65 \tanh(3.701 V_c)$ .

The realization of the hyperbolic tangent functions can be accomplished with the use of a "long-tailed pair" as shown in FIG. 9.

In FIG. 9 there is shown the long-tailed pair  
 15 realization of the hyperbolic tangent multipliers shown as elements 72 and 73 in FIG. 8. A first long-tailed pair comprising transistors 80 and 81 have their collector electrodes biased through resistors 82 and 83 and their emitter electrodes connected together to the collector of  
 20 transistor 84. The emitter of transistor 84 is connected through resistor 85 to ground potential. The voltage  $V_1$  from FIG. 8 is connected to the base of transistor 84. The base of transistor 81 is grounded while the base of transistor 80 is under the control of control voltage  $V_c$ .  
 25 The voltage between the collector of transistor 80 and the collector of transistor 81 is the hyperbolic function and is connected to unit gain differential amplifier 86, the output of which comprises the hyperbolic tangent function  
 30  $k_1 V_1$ .

A similar long-tailed pair is used to realize the second voltage multiplier 73 in FIG. 8. This long-tailed pair comprises transistors 90 and 91, the collectors of which are biased through resistors 92 and 93, respectively. The emitters of transistors 90 and 91 are connected  
 35 together to the collector of transistor 94, the emitter of which is connected through resistor 95 to ground potential. The voltage  $V_2$  from FIG. 8 is supplied to the base of transistor 94 while the base of transistor 91 is grounded.

11

The control voltage to the base of transistor 90 is derived from a voltage divider comprising resistors 97 and 98 to provide the voltage  $V_c'$  equal to  $\frac{1}{3.701} V_c$  as required equation (7). The voltage between the collectors of 5 transistors 90 and 91 is inverted and applied to unit gain differential amplifier 96, the output of which is the hyperbolic tangent function  $k_2 V_2$ .

The gain of each long-tailed pair through a unit gain differential amplifier is given by equation (8):

$$10 \quad (8) \quad \frac{R_c}{R_e} \tanh \left( \frac{qX}{2kT} \right),$$

where  $X$  is the applied voltage,  $R_c$  is the resistance in the collector circuits of transistors 80-81 or 90-91,  $R_e$  is the 15 resistance in the emitter circuit of transistor 84 or 94,  $q$  is the absolute charge of an electron,  $k$  is Boltzmann's constant and  $T$  is absolute temperature in degrees Kelvin. For the multiplier  $k_1$  (pair 80-81),  $R_c = R_e$  and  $X = \frac{2kT}{qV_c}$ , 20 while for  $k_2$ ,  $R_c = 6.5R_e$  and  $X = 3.701 \left( \frac{2kT}{q} \right)$ . The voltage  $V_c$  can be derived as shown in FIG. 5 either by presetting the voltage divider with detents corresponding to the gauge of the connected cable or can be derived empirically by varying the tap on resistor 63 to minimize the overall 25 reflection from the transmission line.

It will be noted that an active hybrid realized in accordance with FIG. 5 and the succeeding figures provides an impedance match to the transmission line 50 which is frequency-insensitive over an extremely broad 30 range of frequencies and, moreover, which is adjustable for different gauges of wire in the telephone cable. The use of a Norton rather than a Thevenin equivalent source is a desirable design choice which minimizes the complexity of adapting the same source impedance to different wire 35 gauges. Moreover, the voltages applied to this active hybrid are completely independent of frequency so that the destructive interference, upon which hybrid action depends, remains constant throughout the entire frequency range.



The realization of FIG. 5, however, requires three shunt elements 57, 58 and 61 to ground, each of which involves the complicated element combinations of FIGS. 6 and 9.

One means of reducing complexity is shown in FIG. 10, using a floating power supply having a common voltage  $V_0$  and a single frequency-dependent, voltage-controlled impedance network 120. Rather than supplying a frequency-independent voltage to the transmission line, this circuit transmits a frequency-independent current.

This current is sensed across impedance element 100 by a differential amplifier 101, the output of which is supplied to differential amplifier 102. Impedance elements 100 and 103 correspond to impedances 71 and 70, respectively, in FIG. 8, connected in a two-node Miller effect impedance multiplying circuit using voltage multipliers 104 and 105. These voltage multipliers 104 and 105 are under the control of a control voltage  $V_c''$ , and are combined in summing amplifier 106, the output of which is applied to the right hand end of impedance 100. The floating power supply represented by battery 107 is connected in series with a resistor 108 in the emitter circuit of transistor 109. The voltage supplied by battery 107 is combined with the signal on line 51 in combining amplifier 110 to provide the input signal to the base of transistor 109.

This same signal from amplifier 110 is supplied to the remaining input of amplifier 102, the output of which is connected to differential amplifier 111. The output of amplifier 111 is the transmit signal delivered on line 52. The battery supply voltage  $V_0$  from battery 107 is combined with the control voltage  $V_c$  in combining amplifier 112 to provide the control voltage  $V_c''$  for multipliers 104 and 105. This direct current supply voltage  $V_0$  is isolated from bidirectional transmission line 50 by capacitors 113 and 114. Amplifiers 110, 111 and 112 serve the purpose of adding in or subtracting out the floating power supply voltage for voltages derived from and delivered to, respectively, circuits outside of the local common ground for the floating power supply

107.

It should be noted that a floating power supply is desirable in any application where the active elements of the hybrid must be energized at dc levels well below those existing on the transmission line and a dc-to-dc conversion is required anyway. Moreover, the additional differential amplifiers 110, 111 and 112 necessary for isolation and referencing of the hybrid are far less costly to implement than are the frequency-sensitive, voltage-controlled impedances which are required for the implementation of FIG. 5.

It should be further noted that the active hybrid of the present invention can be realized with Thevenin source equivalents if wire gauge adaptation is not required and if no problems arise in realizing the larger capacitor values required.

The electronic hybrids realized by the present invention are essentially independent of frequency since, as shown in FIG. 2, the low frequency impedance is accurately simulated for both frequency variations and wire gauge variations down to frequencies well below the effective band of operation. The high frequency impedance, on the other hand, is essentially constant for all higher frequency above this lower band. The extremely broad band performance of the hybrids of the present invention may make them suitable for broadband signaling such as is required in high speed digital transmission. These hybrids may therefore be used in a high speed digital transmission system operating over standard twisted pairs available in the existing telephone network.



Claims

1. A hybrid balancing impedance for a telephone cable pair

## CHARACTERIZED BY

5 a low frequency noninductive resistive-capacitive network (Fig. 6  $Z_1$ ) effective to provide an impedance function inversely proportional to the square root of frequency at low frequencies, and

10 a high frequency nonreactive resistive network ( $Z_2$ ) effective to provide a constant impedance function at high frequencies.

2. The balancing impedance according to claim 1

## CHARACTERIZED IN THAT

said impedance take the form

15 
$$Z(N) = C_1(N)Z_1(\omega) + C_2(N)Z_2,$$

where  $Z$  is the impedance of said load,  $Z_1$  is the impedance of said low frequency network,  $Z_2$  is the impedance of said high frequency network, and  $C_1$  and  $C_2$  are functions of the gauge  $N$  of said telephone cable pairs.

20 3. The balancing impedance according to claim 1

## CHARACTERIZED IN THAT

said low frequency network comprises a capacitance, a resistance and a plurality of serially connected resistance-capacitance legs, all connected in  
25 parallel.

4. The balancing impedance according to claim 2

## CHARACTERIZED IN THAT

said functions of wire gauge are realized with two-node Miller effect multipliers connected to said low  
30 and high frequency impedances (Fig. 8).

5. The balancing impedance according to claim 4

## CHARACTERIZED IN THAT

said multipliers each comprise a long-tailed pair having one multiplier related to the gauge of said  
35 telephone cable pairs (Fig. 9).





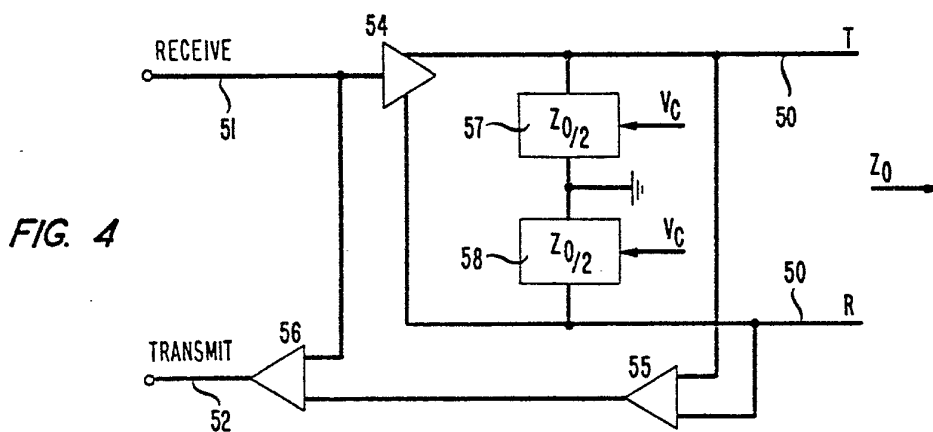
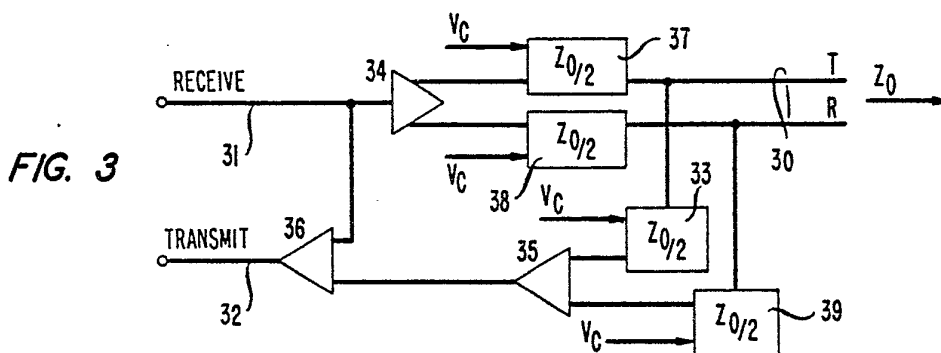
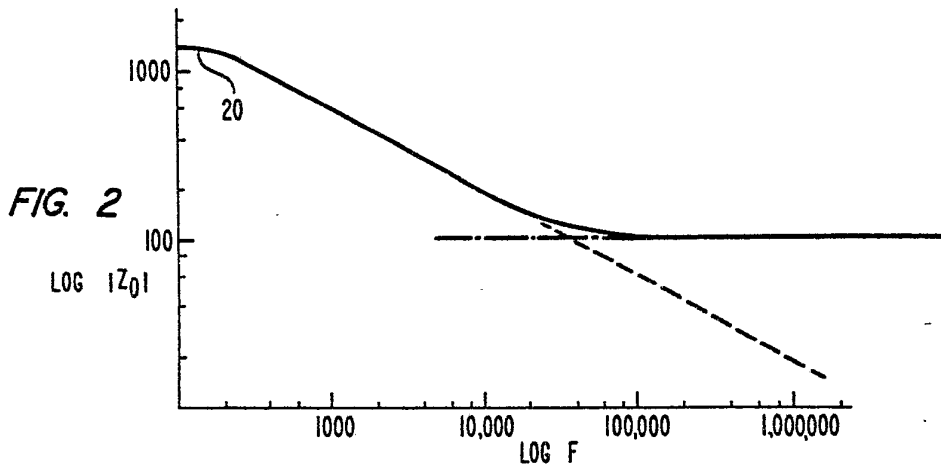
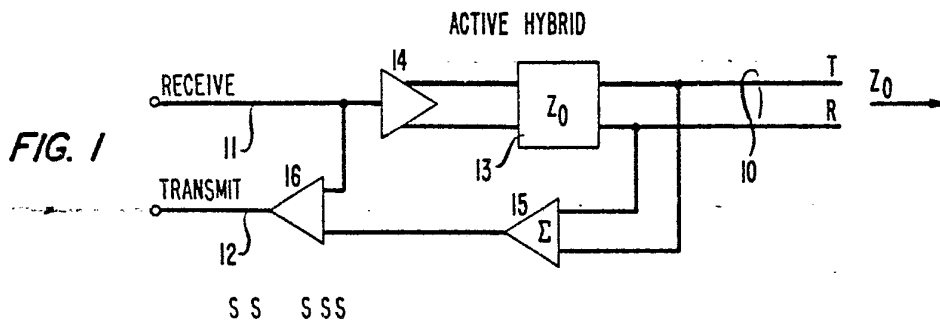


FIG. 5

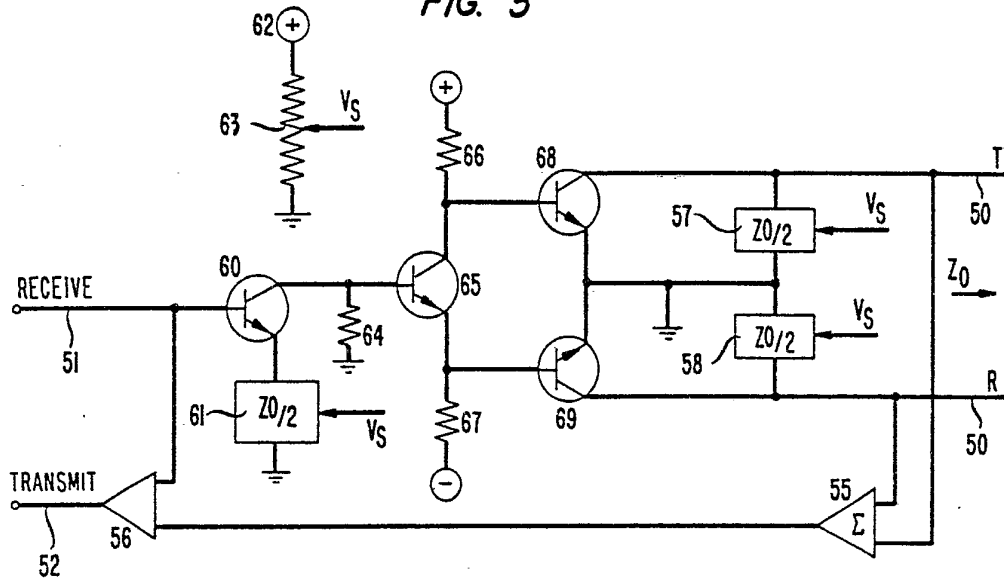


FIG. 6

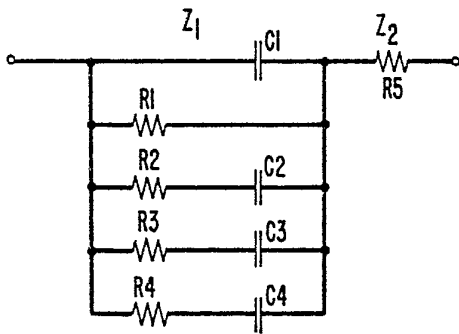


FIG. 7

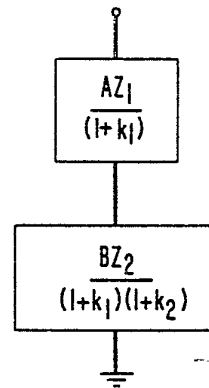


FIG. 8

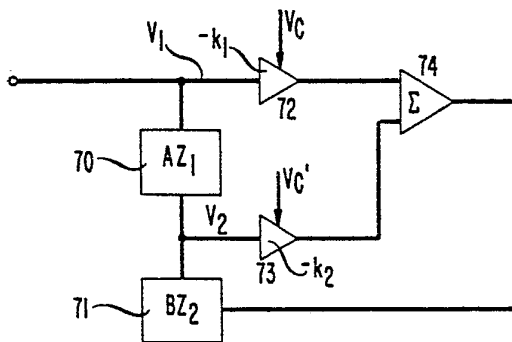


FIG. 9

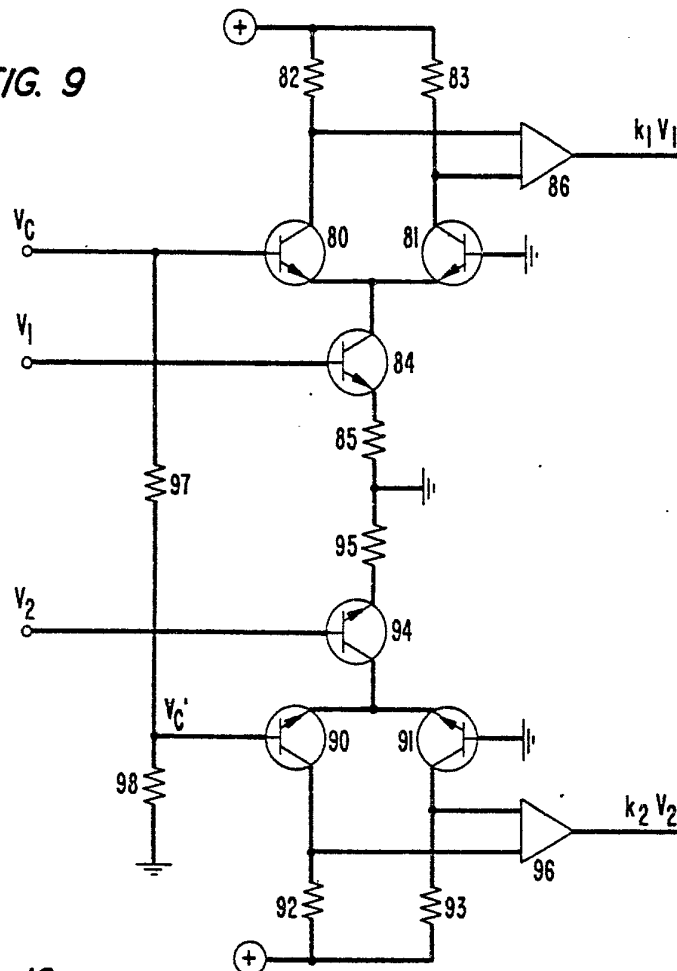
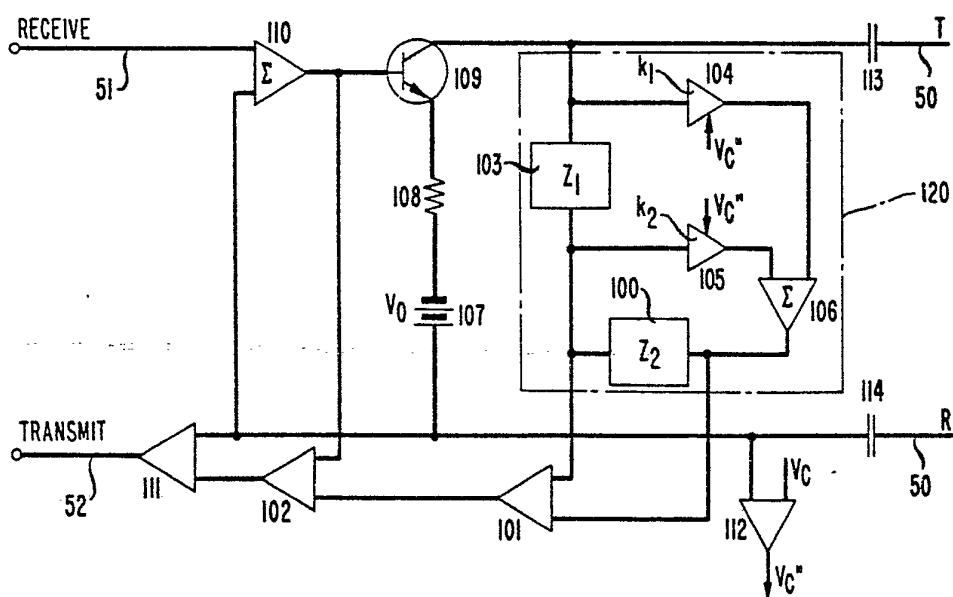


FIG. 10



# INTERNATIONAL SEARCH REPORT

International Application No PCT/US79/00756

<b>I. CLASSIFICATION OF SUBJECT MATTER</b> (if several classification symbols apply, indicate all) <sup>3</sup>				
According to International Patent Classification (IPC) or to both National Classification and IPC				
INT. CL.	H04B 3/40	<i>Wo 22/00770</i>		
U.S. CL.	179/170D, 179/170NC			
<b>II. FIELDS SEARCHED</b>				
Minimum Documentation Searched <sup>4</sup>				
Classification System	Classification Symbols			
U.S.	179/170R, 170D, 170G, 170NC; 328/160; 333-17M			
Documentation Searched other than Minimum Documentation to the Extent that such Documents are Included in the Fields Searched <sup>5</sup>				
<b>III. DOCUMENTS CONSIDERED TO BE RELEVANT</b> <sup>14</sup>				
Category <sup>*</sup>	Citation of Document, <sup>16</sup> with indication, where appropriate, of the relevant passages <sup>17</sup>	Relevant to Claim No. <sup>18</sup>		
X	US, A, 3,919,502, Published 11 November 1975, Daryanani.	1		
A,P	US, A, 4,163,878, Published 7 August 1979, See Figure 1, Hashemi.			
A	US, A, 4,096,361, Published 20 June 1978, Crawford.			
A	US, A, 3,860,767, Published 14 January 1975, See Figure 3, Boucher et al.	3		
A	US, A, 3,178,521, Published 13 April 1965, See Figure 3A, Brown.	3		
<p><sup>*</sup> Special categories of cited documents: <sup>15</sup></p> <table style="width: 100%; border: none;"> <tr> <td style="width: 50%; border: none;"> <p>"A" document defining the general state of the art</p> <p>"E" earlier document but published on or after the international filing date</p> <p>"L" document cited for special reason other than those referred to in the other categories</p> <p>"O" document referring to an oral disclosure, use, exhibition or other means</p> </td> <td style="width: 50%; border: none;"> <p>"P" document published prior to the international filing date but on or after the priority date claimed</p> <p>"T" later document published on or after the international filing date or priority date and not in conflict with the application, but cited to understand the principle or theory underlying the invention</p> <p>"X" document of particular relevance</p> </td> </tr> </table>			<p>"A" document defining the general state of the art</p> <p>"E" earlier document but published on or after the international filing date</p> <p>"L" document cited for special reason other than those referred to in the other categories</p> <p>"O" document referring to an oral disclosure, use, exhibition or other means</p>	<p>"P" document published prior to the international filing date but on or after the priority date claimed</p> <p>"T" later document published on or after the international filing date or priority date and not in conflict with the application, but cited to understand the principle or theory underlying the invention</p> <p>"X" document of particular relevance</p>
<p>"A" document defining the general state of the art</p> <p>"E" earlier document but published on or after the international filing date</p> <p>"L" document cited for special reason other than those referred to in the other categories</p> <p>"O" document referring to an oral disclosure, use, exhibition or other means</p>	<p>"P" document published prior to the international filing date but on or after the priority date claimed</p> <p>"T" later document published on or after the international filing date or priority date and not in conflict with the application, but cited to understand the principle or theory underlying the invention</p> <p>"X" document of particular relevance</p>			
<b>IV. CERTIFICATION</b>				
Date of the Actual Completion of the International Search <sup>2</sup>	Date of Mailing of this International Search Report <sup>2</sup>			
20 DECEMBER 1979	<b>16 JAN 1980</b>			
International Searching Authority <sup>1</sup>	Signature of Authorized Officer <sup>20</sup>			
ISA/US	<i>Randall P. Myers</i>			