



US00D995488S

(12) **United States Design Patent**  
**Lin**

(10) **Patent No.:** **US D995,488 S**

(45) **Date of Patent:** **\*\* Aug. 15, 2023**

(54) **EARPHONES AND CHARGING CASE SET**

*Primary Examiner* — Dana K Weiland

*Assistant Examiner* — Russell Carnell Smith, Jr.

(71) Applicant: **TOZO INC**, Seattle, WA (US)

(72) Inventor: **Mian Lin**, Shenzhen (CN)

(57) **CLAIM**

(73) Assignee: **TOZO INC**, Seattle, WA (US)

The ornamental design for an earphones and charging case set, as shown and described.

(\*\*) Term: **15 Years**

(21) Appl. No.: **29/824,757**

**DESCRIPTION**

(22) Filed: **Jan. 27, 2022**

FIG. 1 is a perspective view of earphones of an earphones and charging case set, shown separately for ease of illustration;

(30) **Foreign Application Priority Data**

Aug. 9, 2021 (CN) ..... 202130511563.8

FIG. 2 is another perspective view thereof;

(51) **LOC (14) Cl.** ..... **14-01**

FIG. 3 is a front elevational view thereof;

(52) **U.S. Cl.**  
USPC ..... **D14/223**

FIG. 4 is a rear elevational view thereof;

(58) **Field of Classification Search**  
USPC ..... D14/172, 201, 205, 206, 207, 217, 221,  
D14/223, 225, 273, 294; D24/106, 172,  
(Continued)

FIG. 5 is a left side elevational view thereof;

FIG. 6 is a right side elevational view thereof;

FIG. 7 is a top plan view thereof;

FIG. 8 is a bottom plan view thereof;

FIG. 9 is a perspective view of a charging case of the earphones and charging case set, shown separately for ease of illustration and in an open configuration;

(56) **References Cited**

**U.S. PATENT DOCUMENTS**

D843,353 S \* 3/2019 Zhang ..... D14/223

D864,167 S \* 10/2019 Wu ..... D14/223

(Continued)

FIG. 10 is another perspective view thereof;

FIG. 11 is a front elevational view thereof;

FIG. 12 is a rear elevational view thereof;

FIG. 13 is a left side elevational view thereof;

FIG. 14 is a right side elevational view thereof;

FIG. 15 is a top plan view thereof;

FIG. 16 is a bottom plan view thereof;

FIG. 17 is a perspective view of the earphones and charging case set, shown in use with the earphones received in the charging case; and,

FIG. 18 is a perspective view of the charging case of the earphones and charging case set, shown separately for ease of illustration and in a closed configuration.

The broken lines in the drawings depict portions of the earphones and charging case set that form no part of the claimed design.

**FOREIGN PATENT DOCUMENTS**

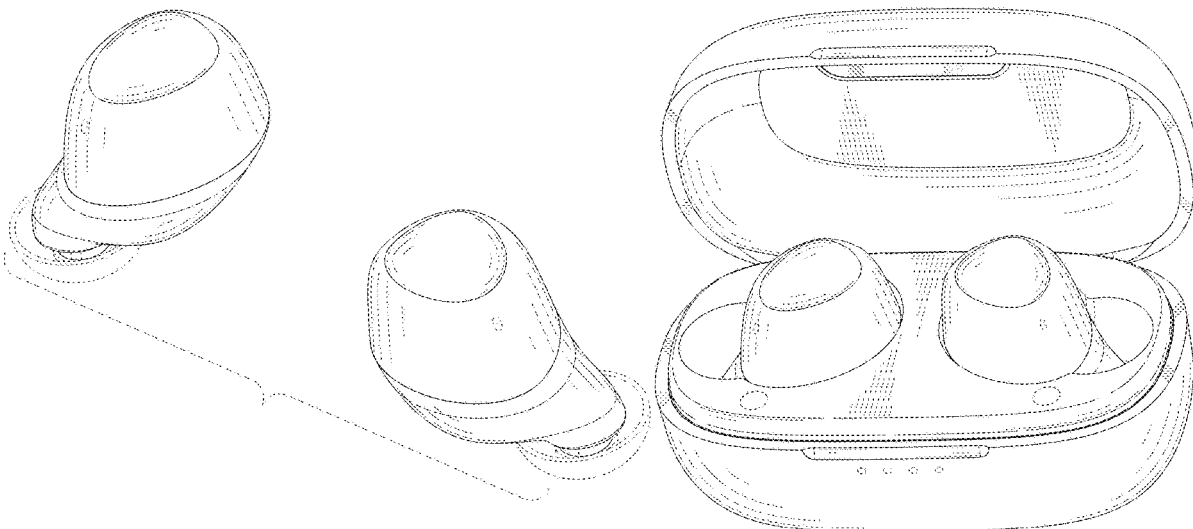
CN 306900282 \* 10/2021

**OTHER PUBLICATIONS**

Tozo A1, first available Sep. 10, 2021 [online], [retrieved May 31, 2023]. Available from the Internet, URL:<<https://a.co/d/i8WG1T5>>. (Year: 2021).\*

(Continued)

**1 Claim, 18 Drawing Sheets**



(58) **Field of Classification Search**

USPC ..... D24/173, 174; D3/201, 208, 212, 218,  
D3/273, 274, 294, 302  
CPC ..... H04R 1/10; H04R 1/1016; H04R 1/1066;  
H04R 1/105; H04R 1/1033; H04R 1/08;  
H04R 5/033; H04R 5/0335; H04R 25/00

See application file for complete search history.

D947,774 S \* 4/2022 Zhang ..... D14/205  
D954,683 S \* 6/2022 Huang ..... D14/223  
D955,983 S \* 6/2022 Ma .....  
D964,322 S \* 9/2022 Miyata ..... D14/223  
D971,888 S \* 12/2022 Li ..... D14/223  
D971,889 S \* 12/2022 Lan ..... D14/223  
D978,114 S \* 2/2023 He ..... D14/223

(56)

**References Cited**

U.S. PATENT DOCUMENTS

D864,919 S \* 10/2019 Bonahoom ..... D14/223  
D868,752 S \* 12/2019 Zhu ..... D14/223  
D879,074 S \* 3/2020 Komiya ..... D14/223  
D884,681 S \* 5/2020 Zhang ..... D14/223  
D889,441 S \* 7/2020 Lin ..... D14/223  
D892,086 S \* 8/2020 Bonahoom ..... D14/223  
D897,319 S \* 9/2020 Wang ..... D14/223  
D929,378 S \* 8/2021 Li ..... D14/223  
D940,108 S \* 1/2022 Wu ..... D14/223

OTHER PUBLICATIONS

Tozo T6, first available May 19, 2019 [online], [retrieved May 31, 2023]. Available from the Internet, URL:<<https://a.co/d/eY8aso>>. (Year: 2019).\*

Soundcore, first available Aug. 24, 2022 [online], [retrieved May 31, 2023]. Available from the Internet, URL:<<https://a.co/d/0j5hNdb>>. (Year: 2023).\*

Childrens Bluetooth Headphones, first available Dec. 14, 2022 [online], [retrieved May 31, 2023]. Available from the Internet, URL:<<https://amzn.asia/d/2GtzTWn>>. (Year: 2022).\*

\* cited by examiner

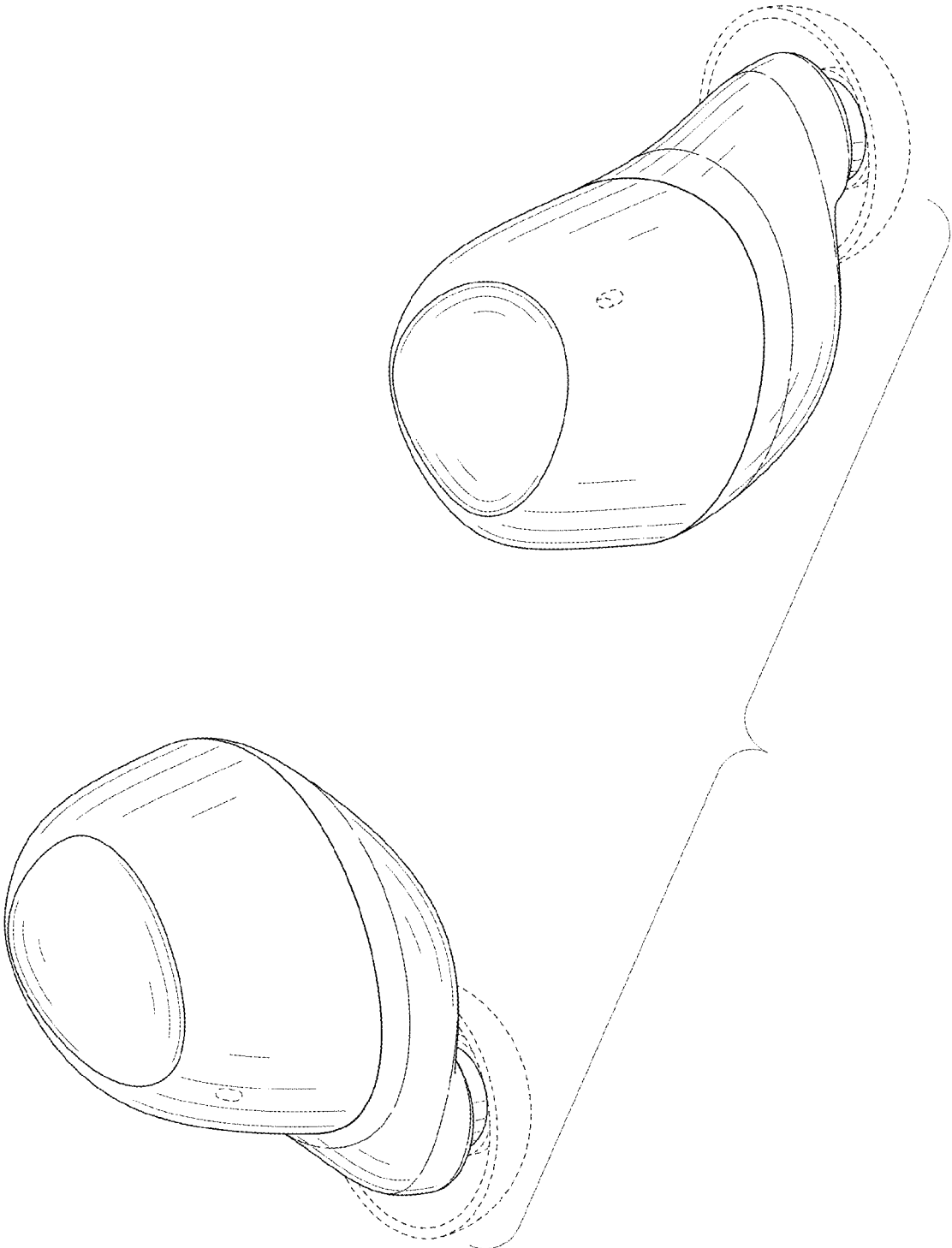


FIG. 1

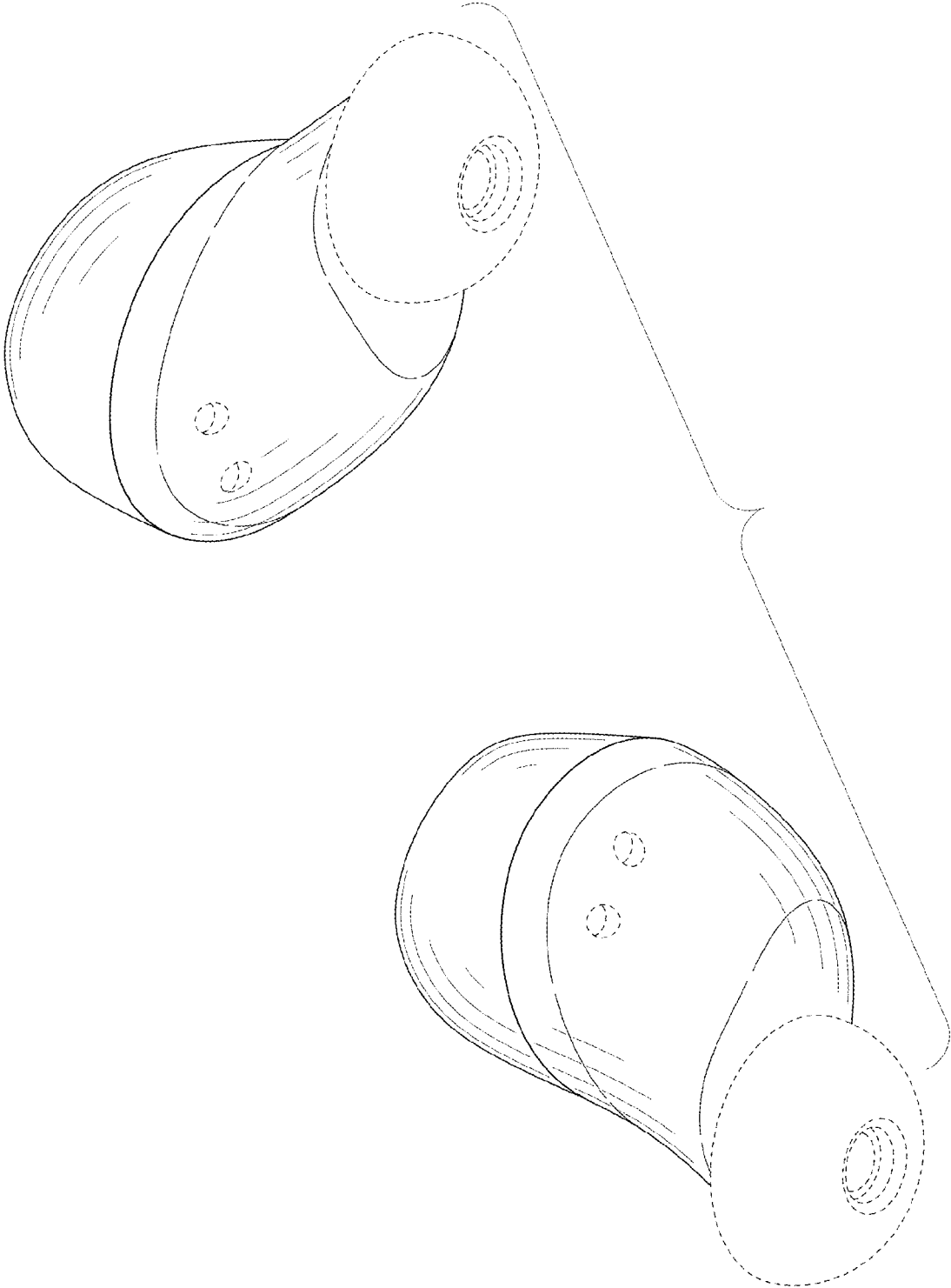


FIG. 2

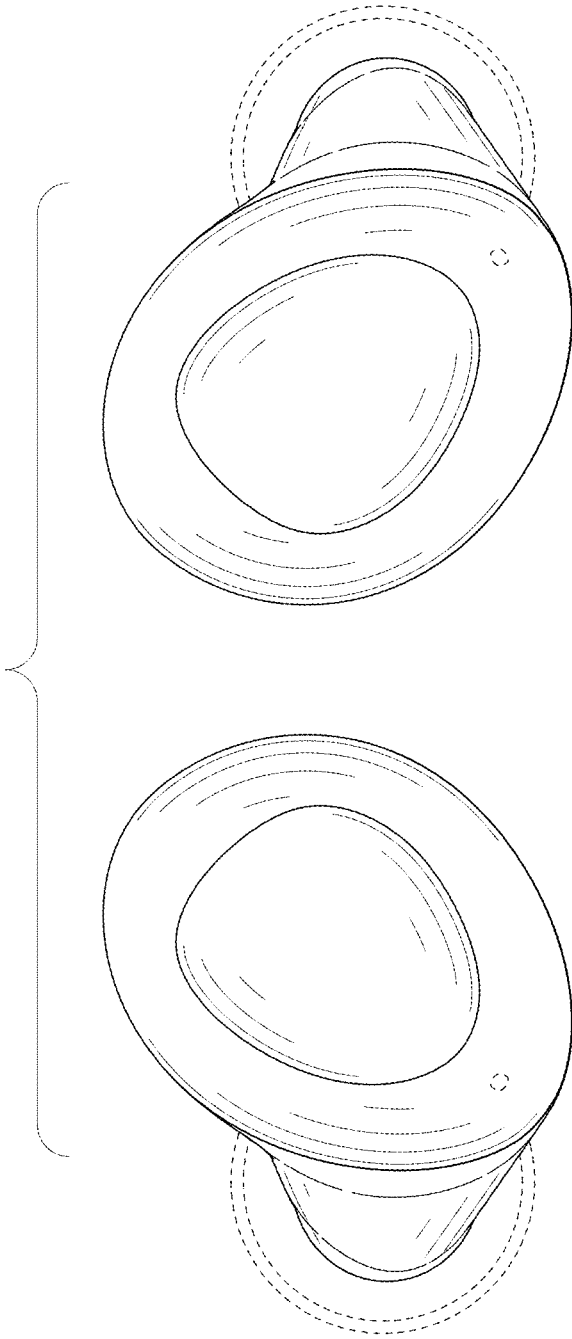


FIG. 3

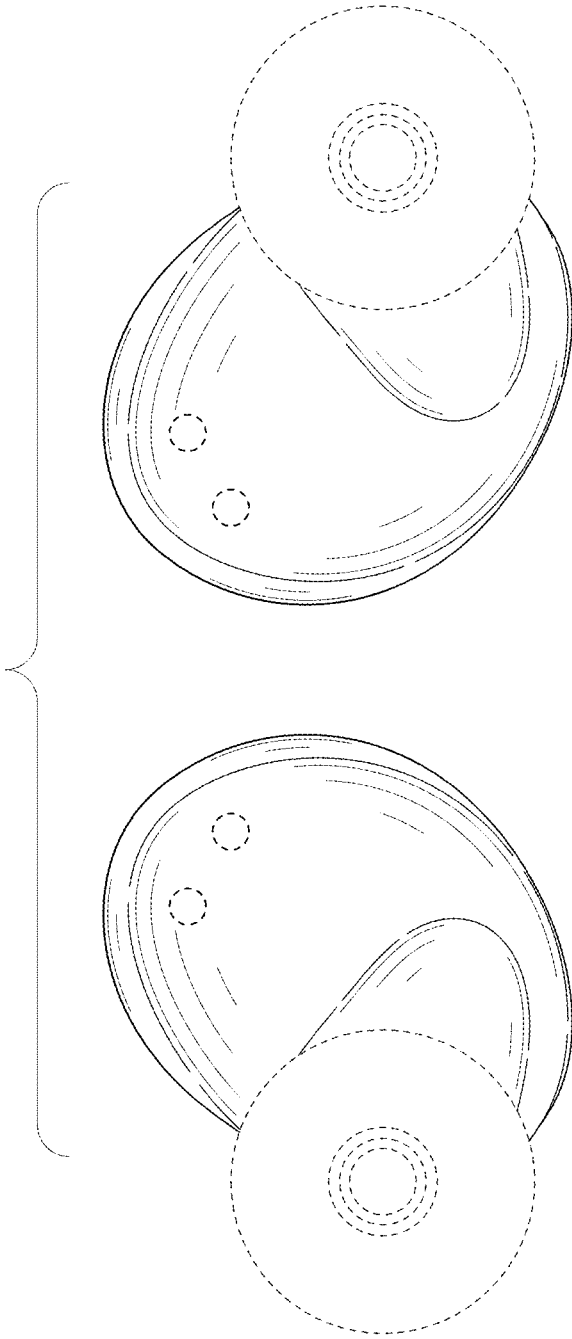


FIG. 4

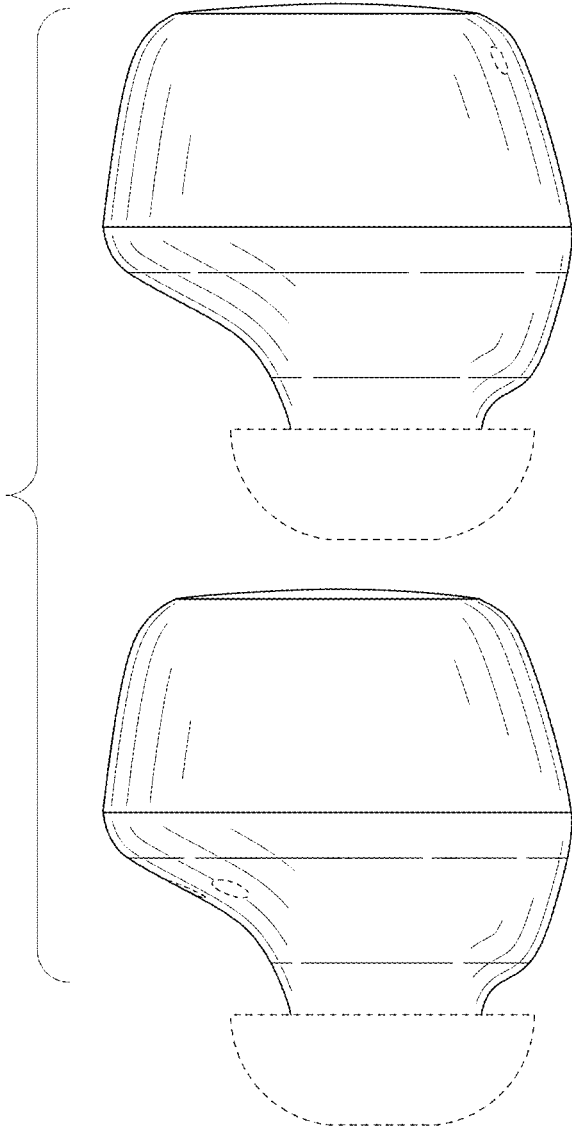


FIG. 5

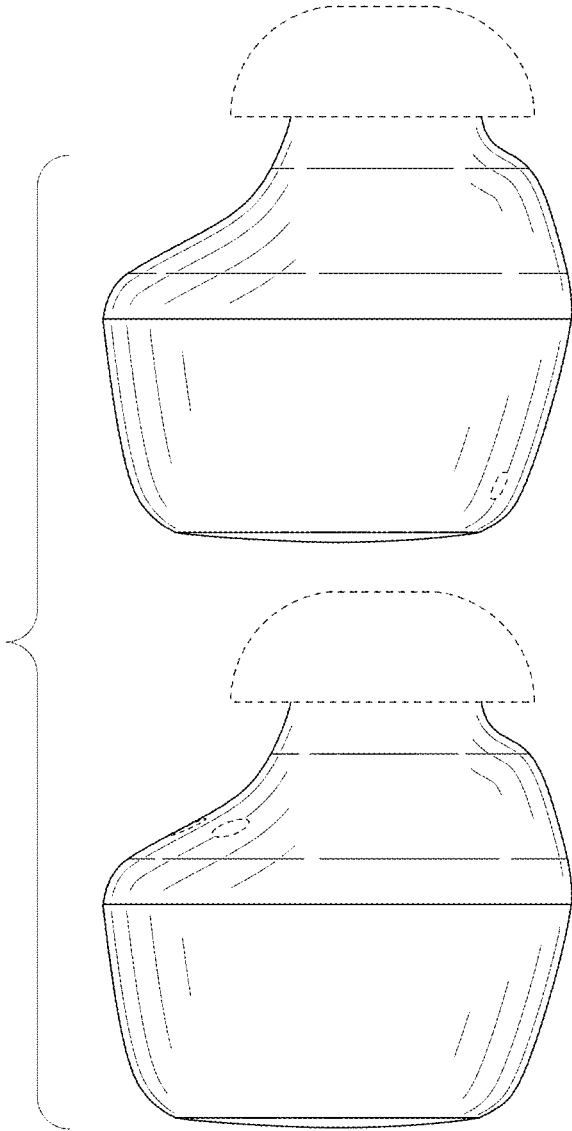


FIG. 6

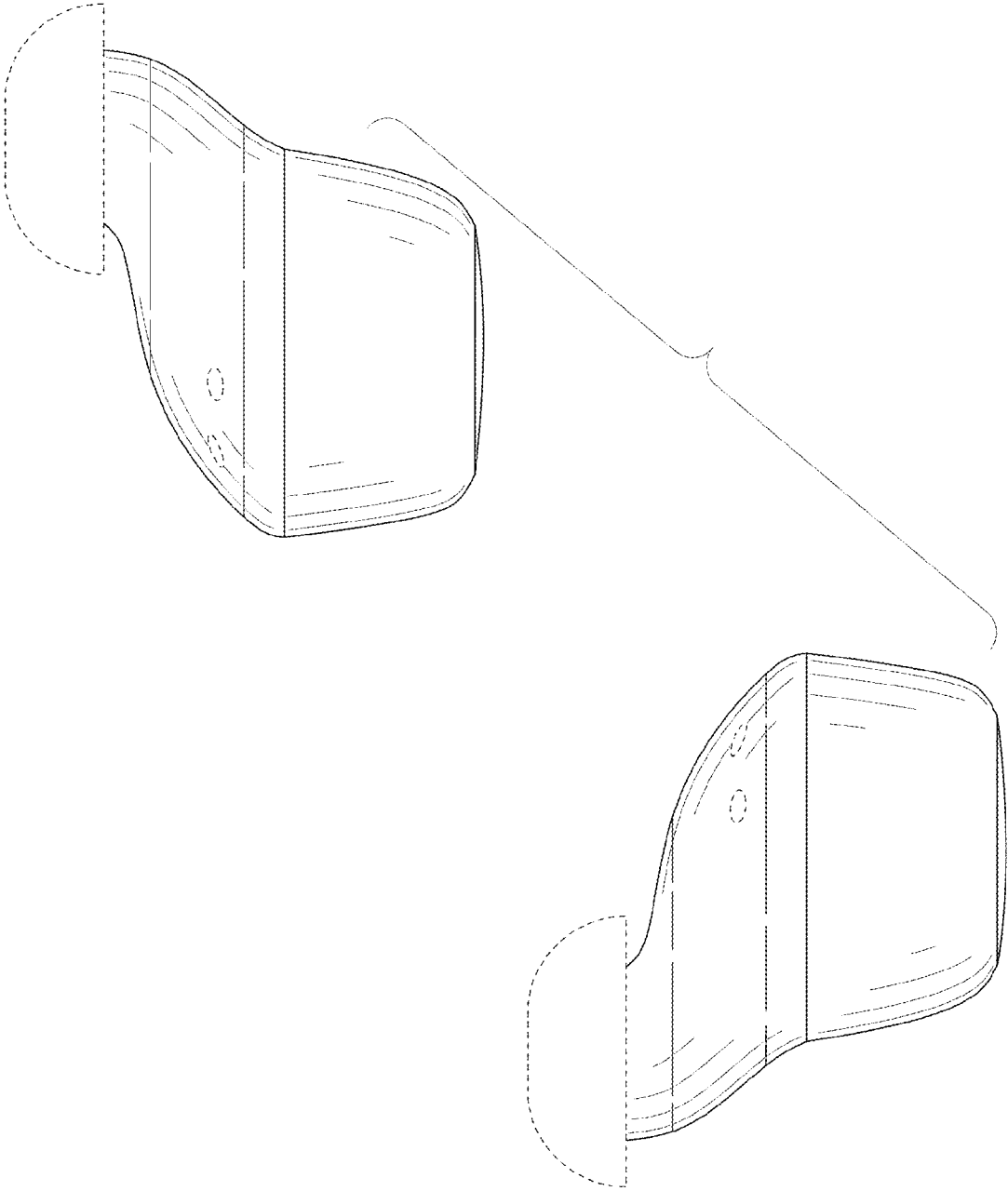


FIG. 7

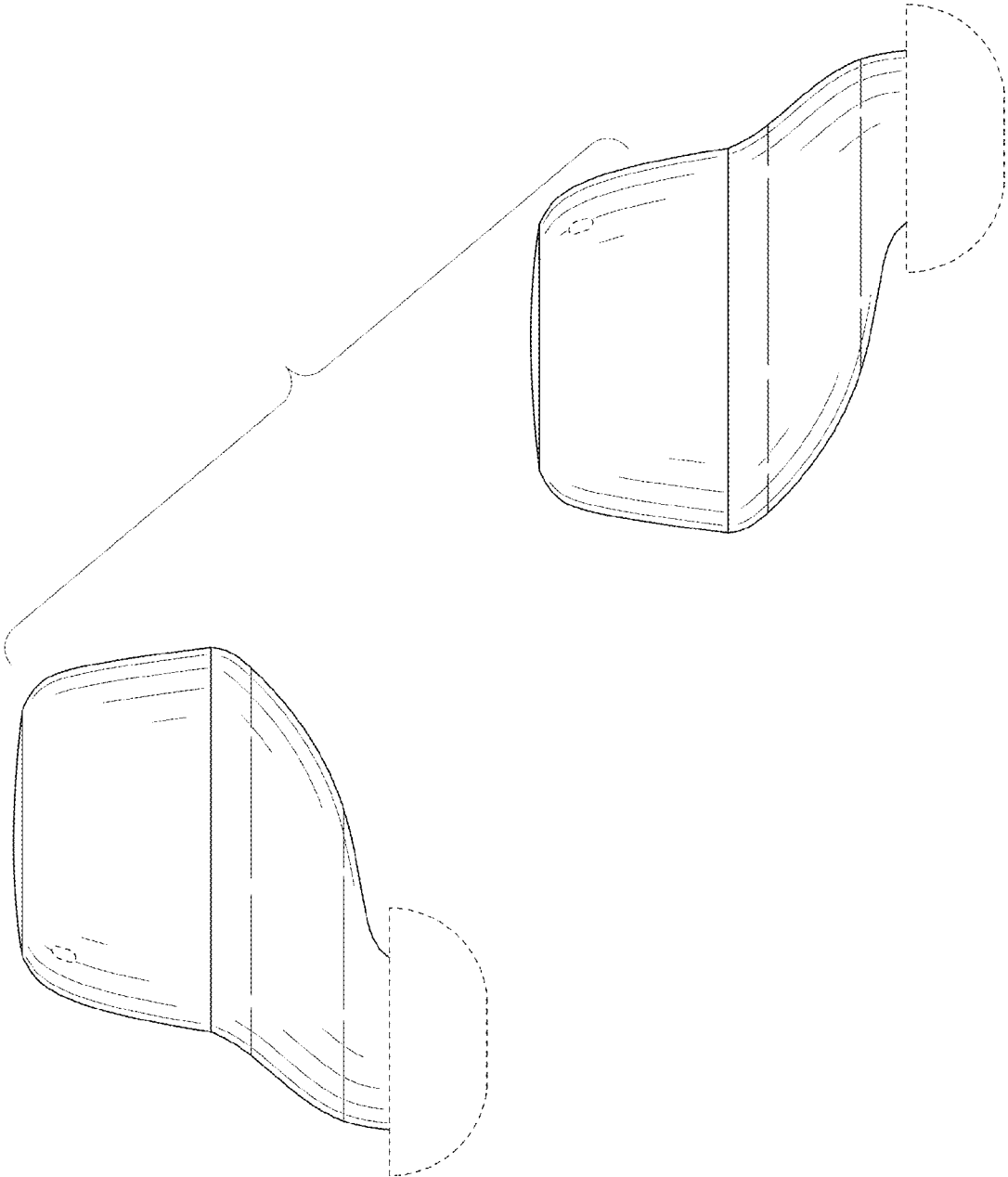


FIG. 8

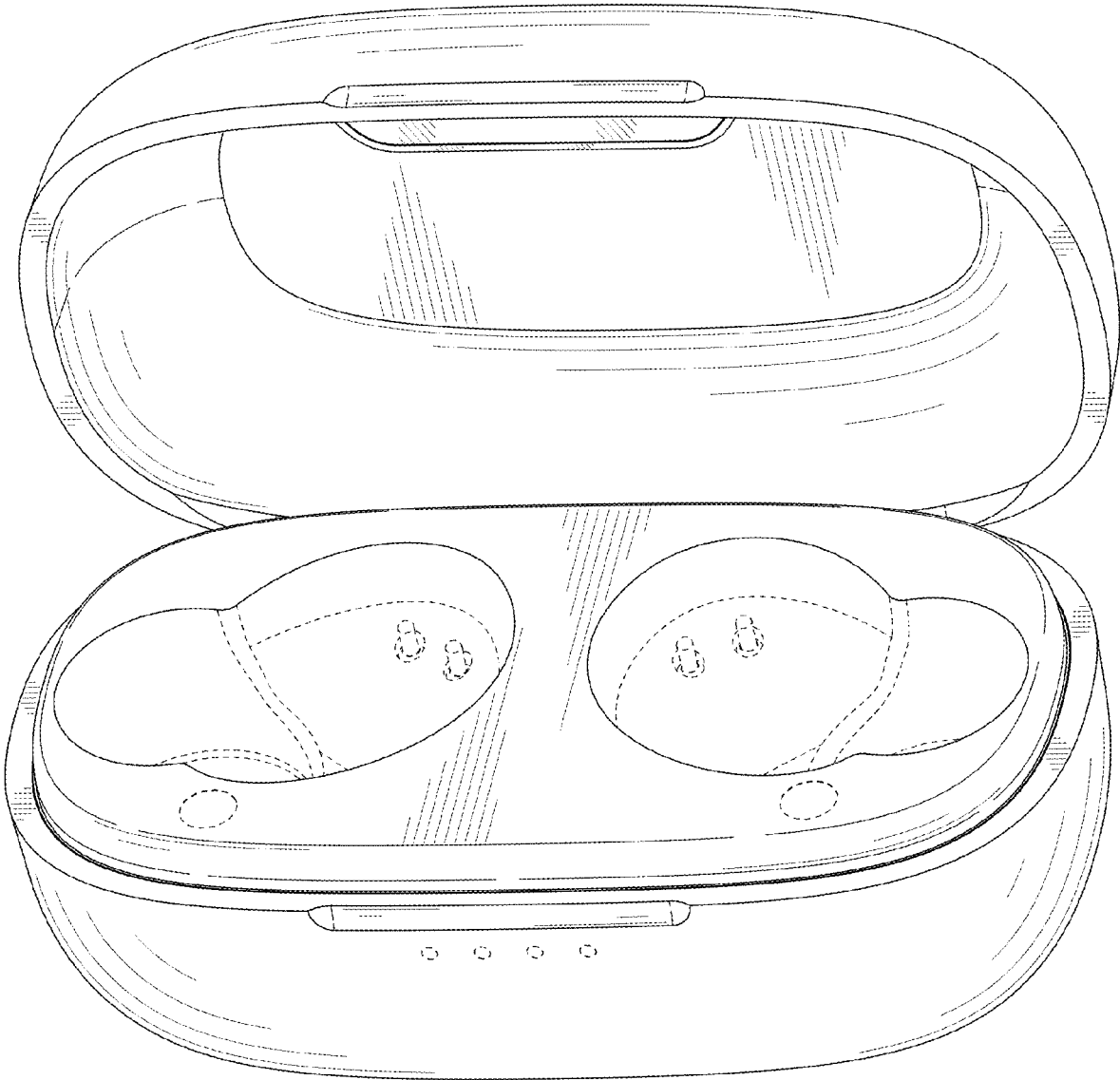


FIG. 9

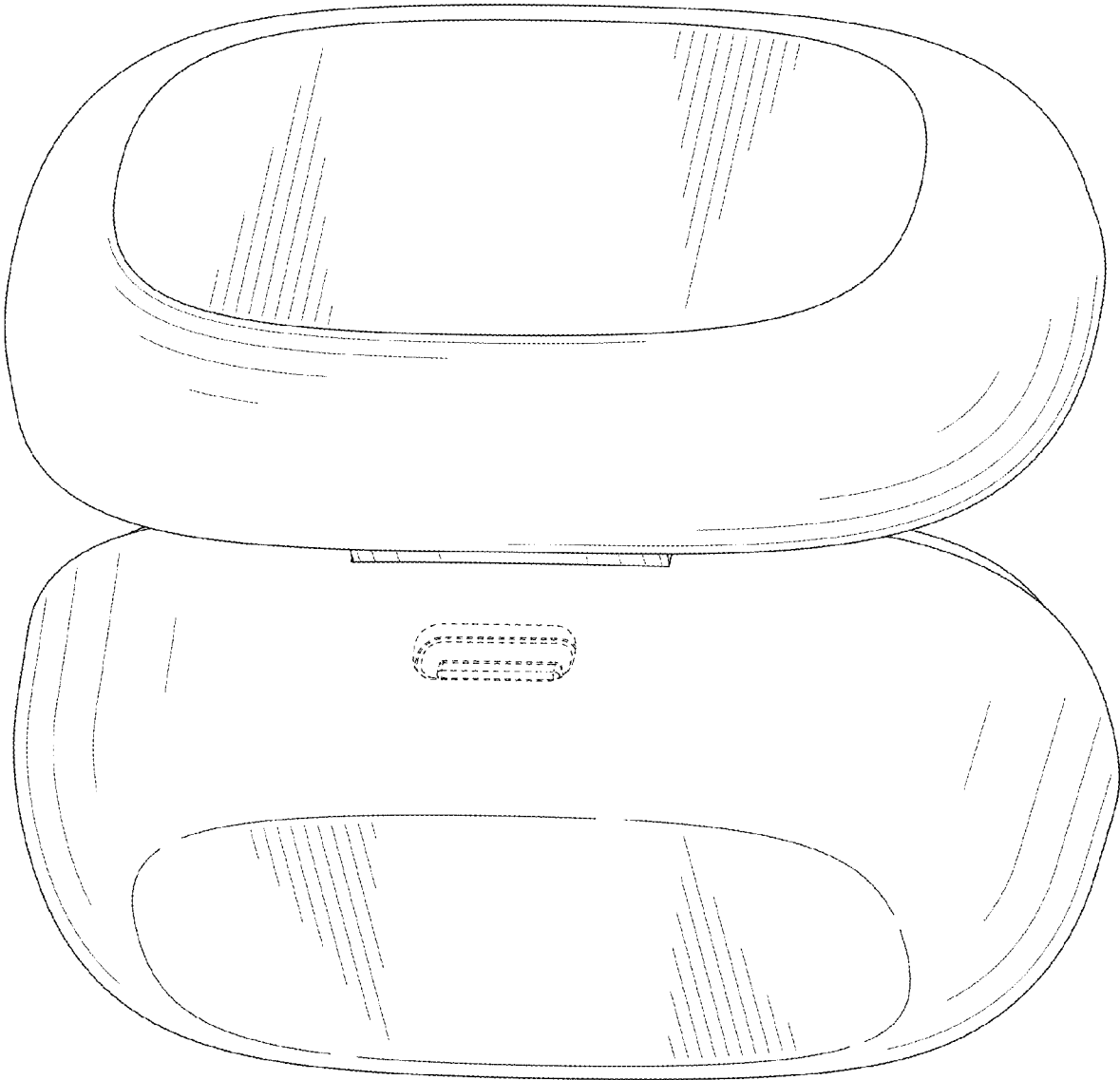


FIG. 10

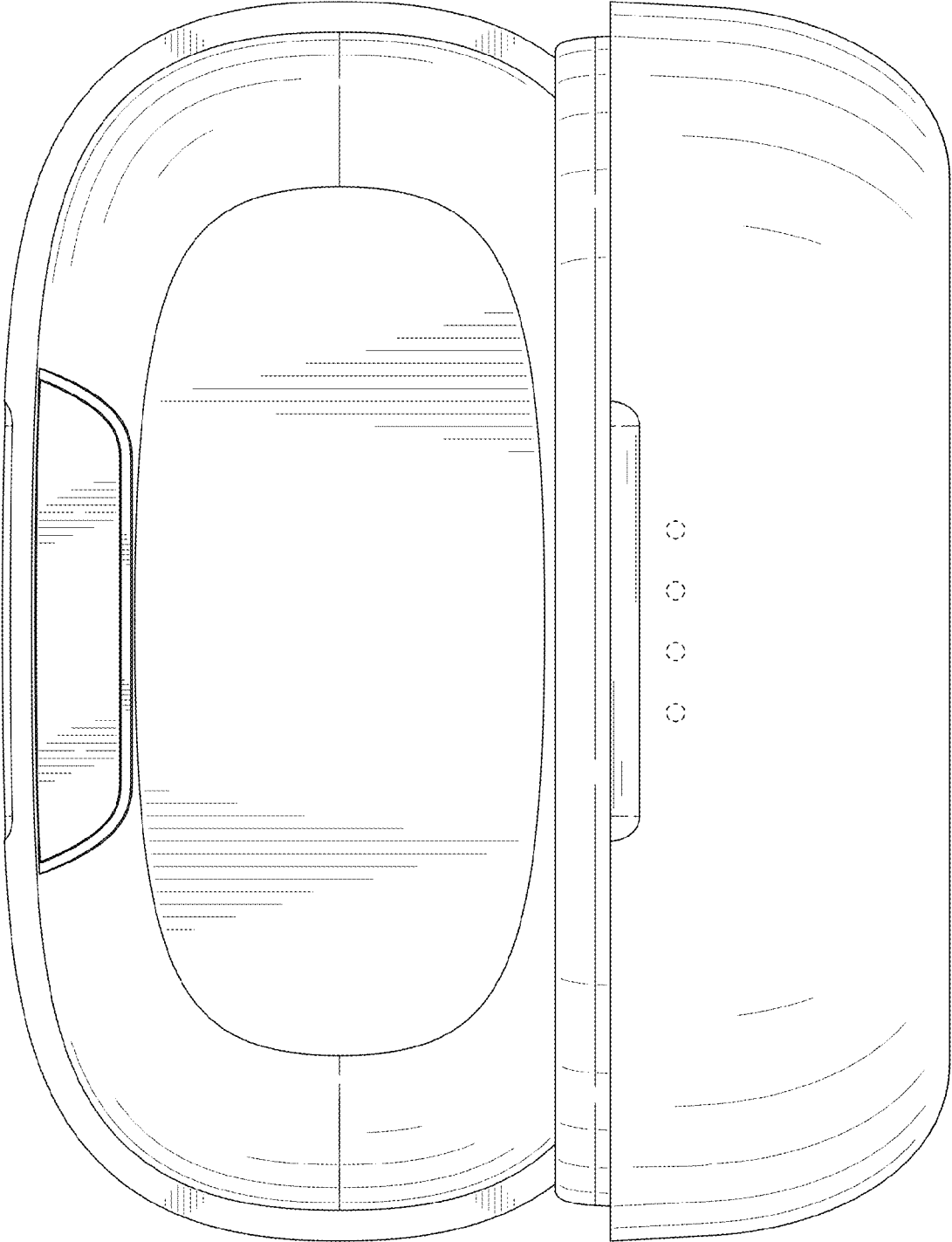


FIG. 11

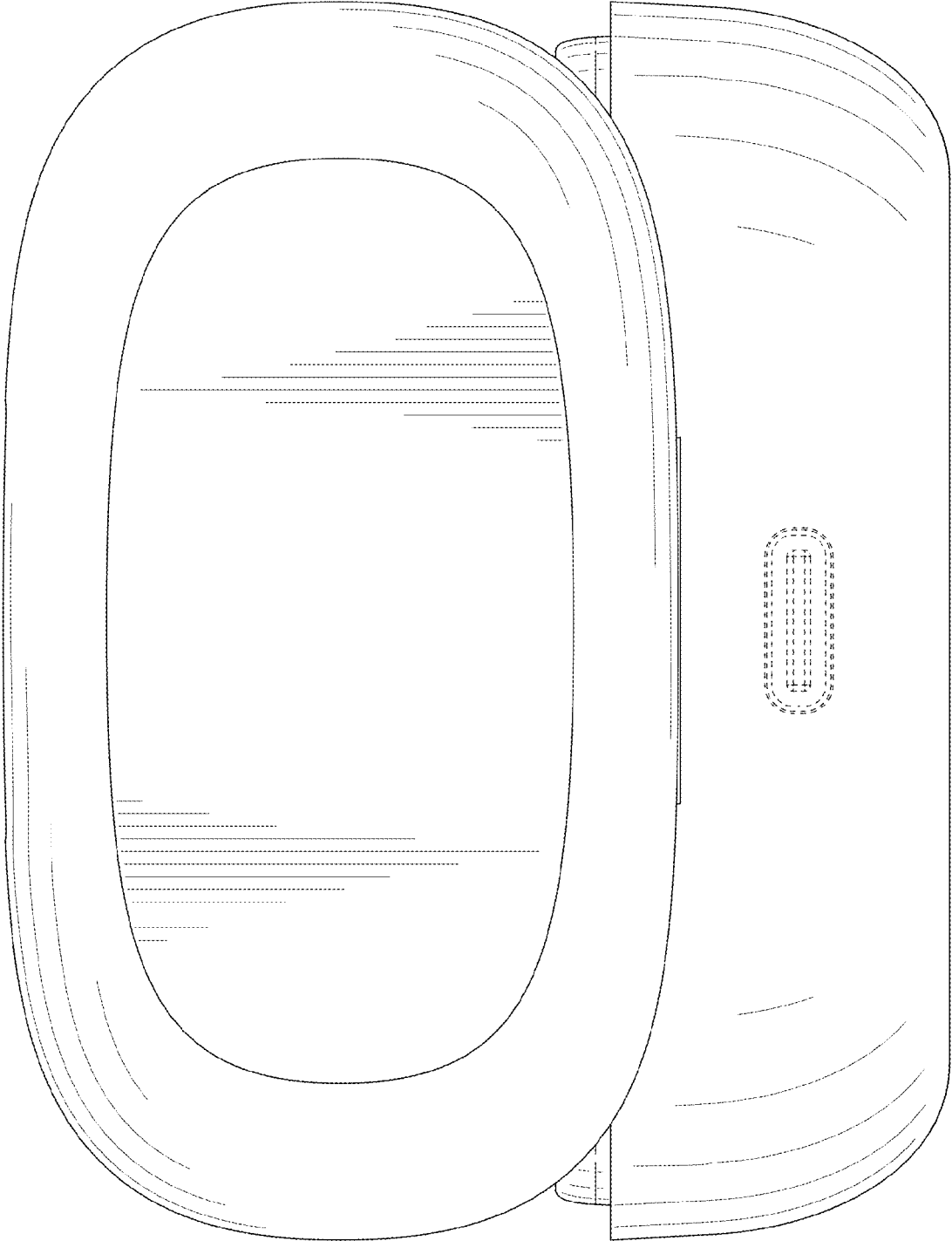


FIG. 12

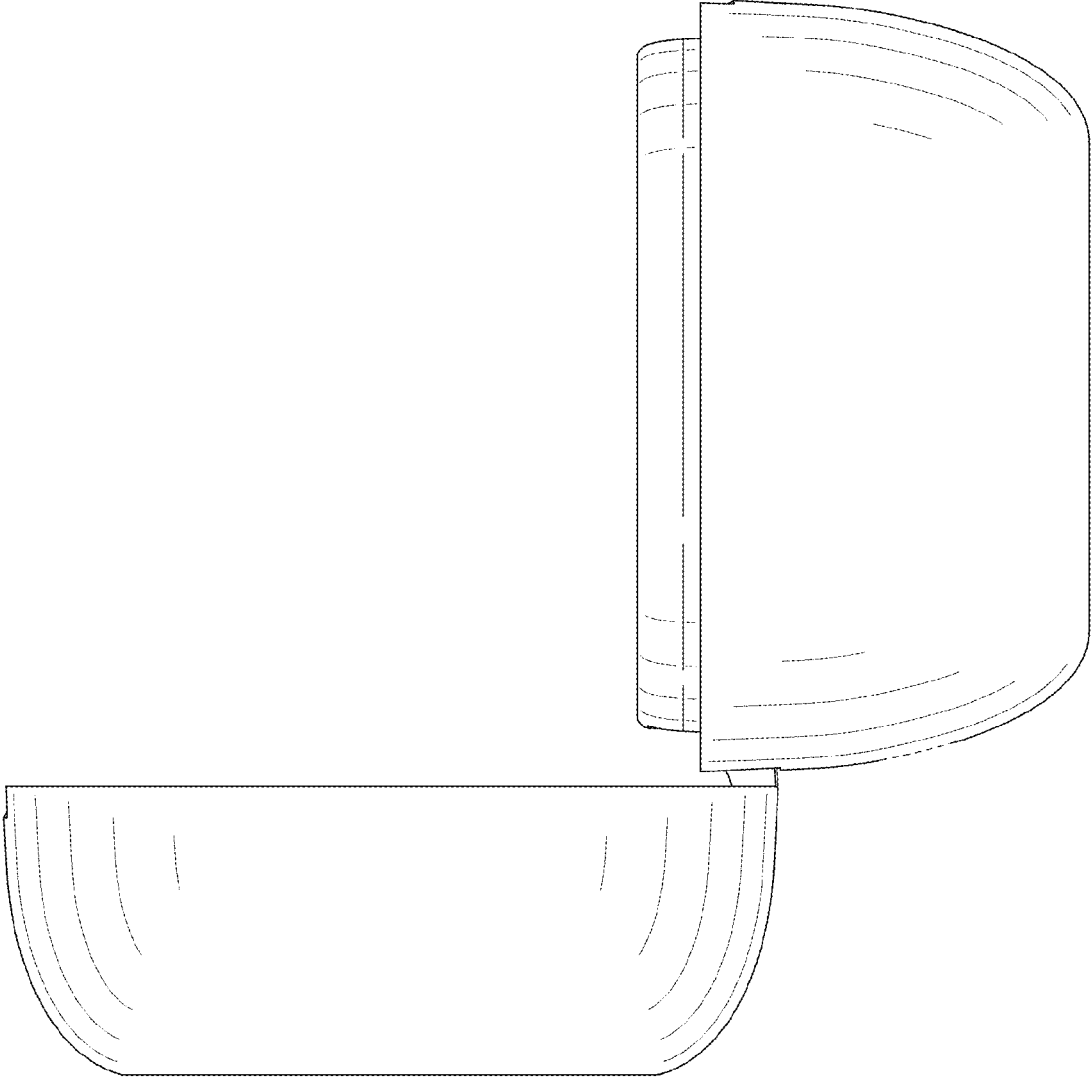


FIG. 13

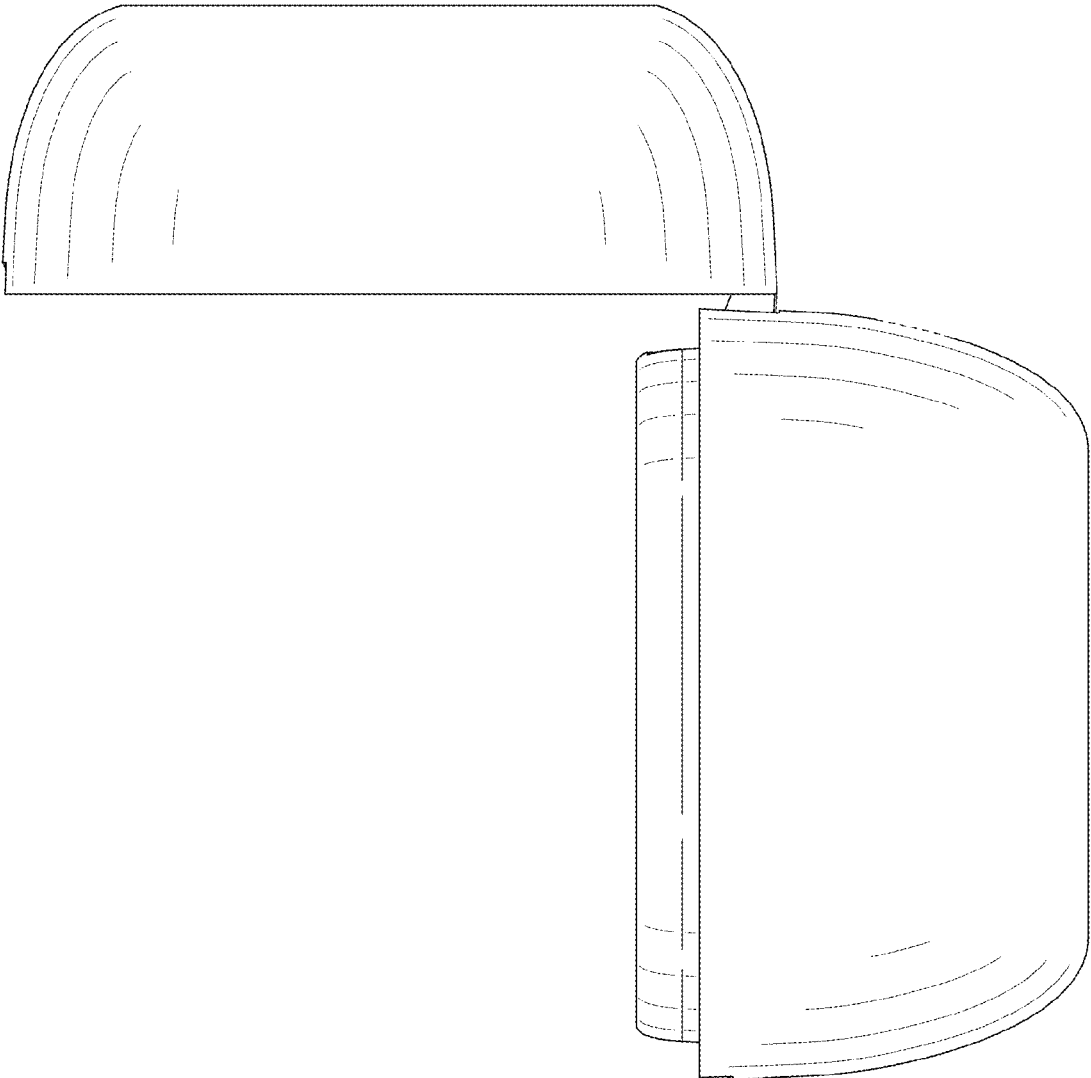


FIG. 14

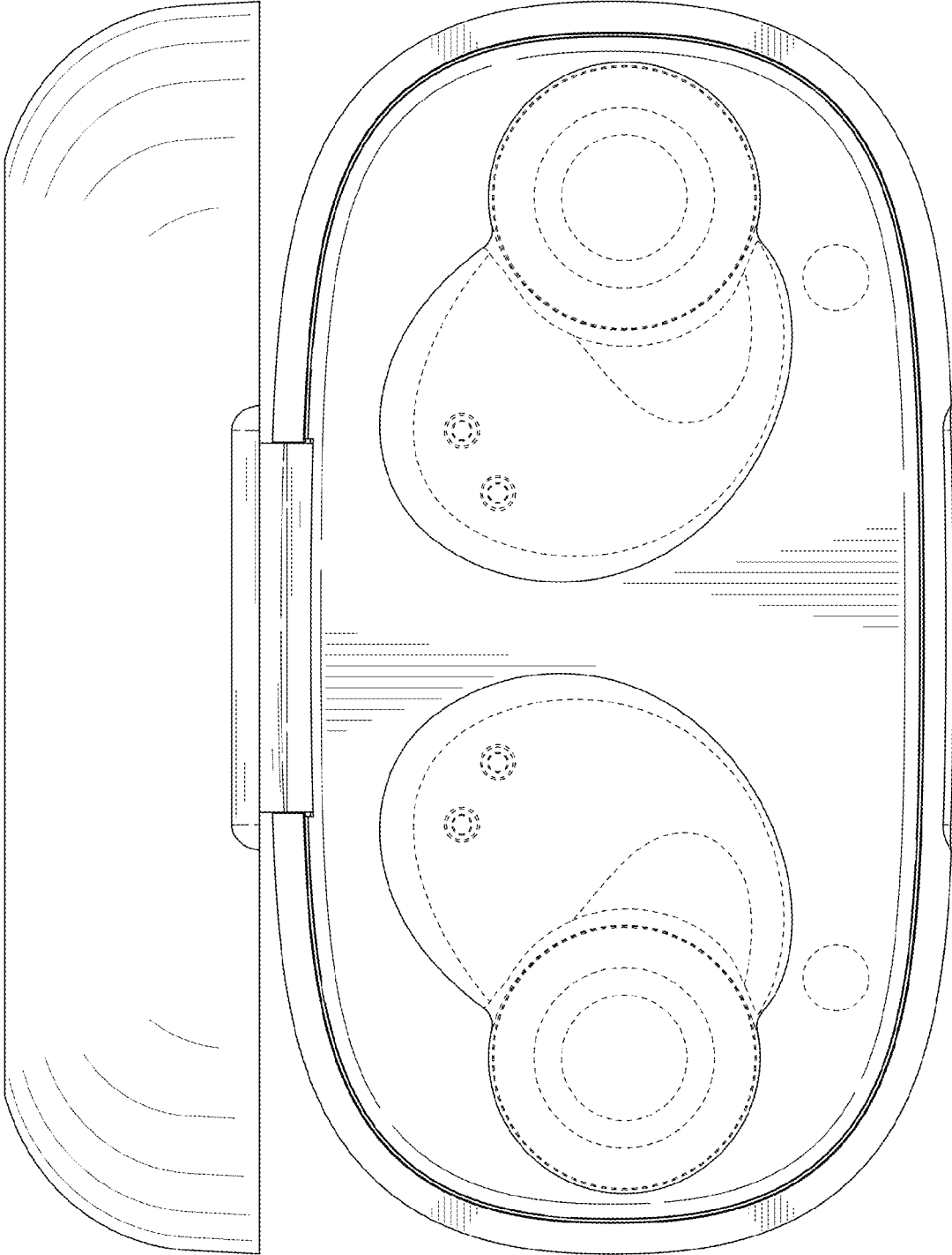


FIG. 15

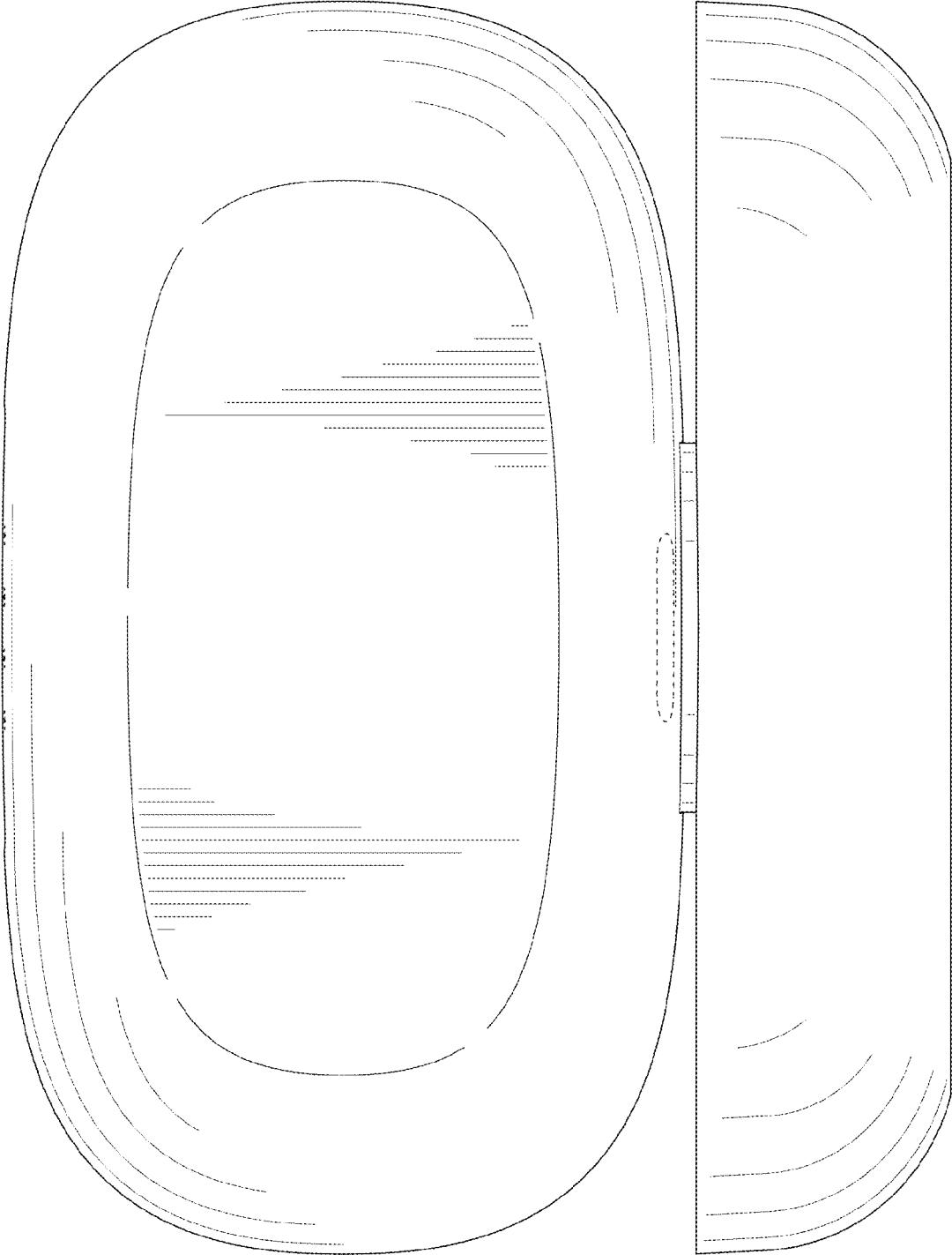


FIG. 16

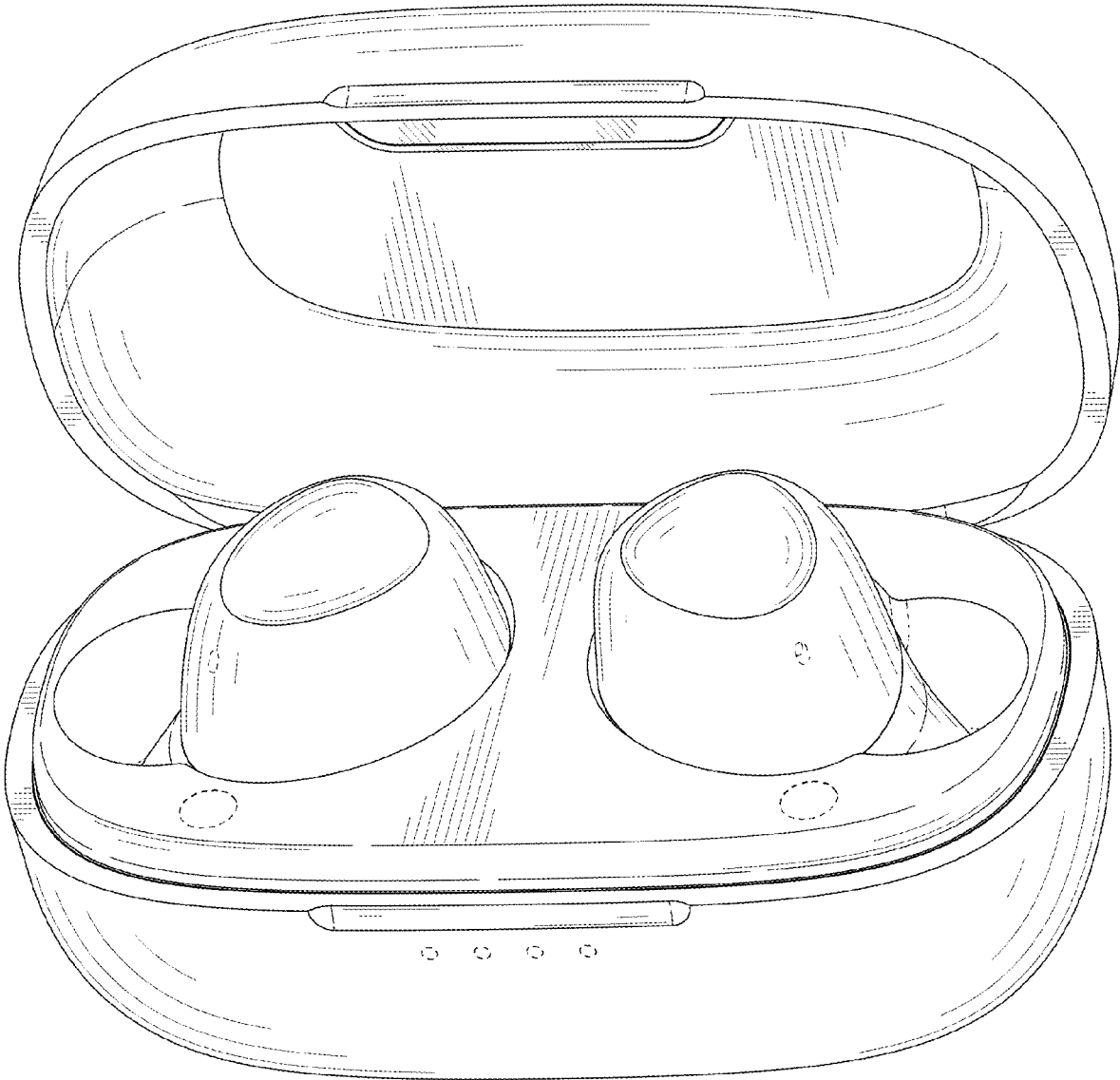


FIG. 17

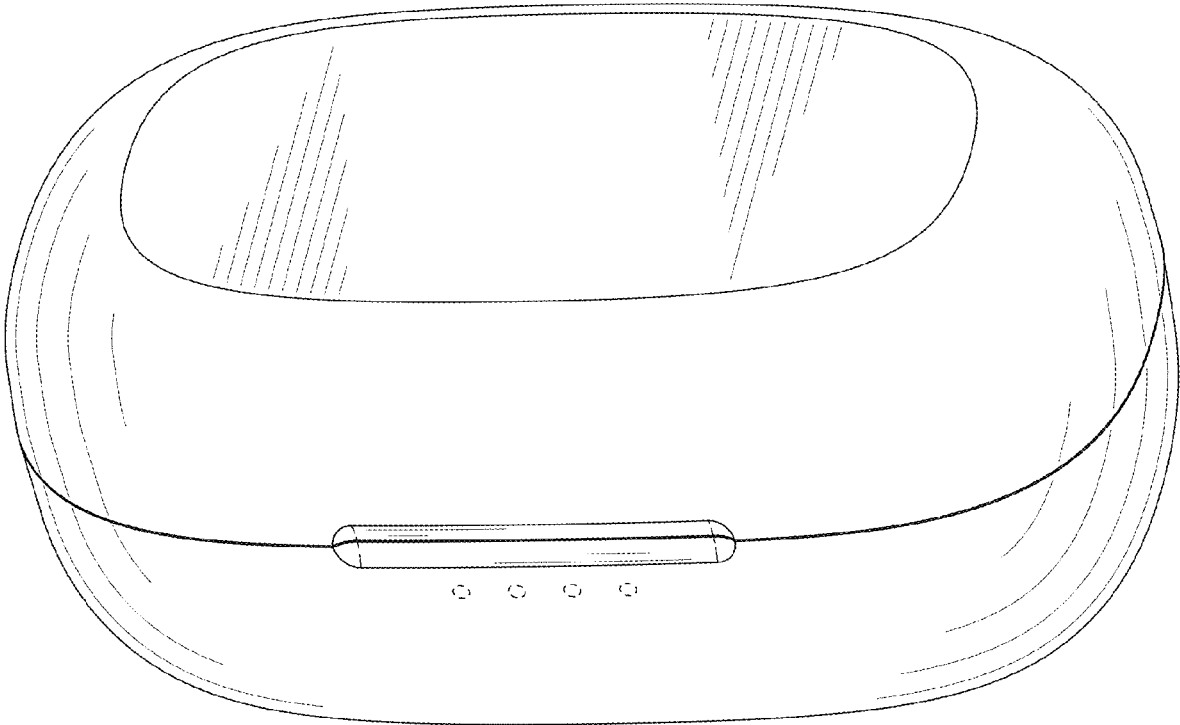


FIG. 18