

(19) World Intellectual Property Organization
International Bureau



(43) International Publication Date
7 May 2009 (07.05.2009)

PCT

(10) International Publication Number
WO 2009/059092 A2

(51) International Patent Classification:
A01F 12/44 (2006.01) A01F 12/54 (2006.01)

(74) Agent: GOODHUE, John D.; McKee, Voorhees & Sease, PLC, 801 Grand Avenue, Suite 3200, Des Moines, Iowa 50309-2721 (US).

(21) International Application Number:
PCT/US2008/081935

(81) Designated States (unless otherwise indicated, for every kind of national protection available): AE, AG, AL, AM, AO, AT, AU, AZ, BA, BB, BG, BH, BR, BW, BY, BZ, CA, CH, CN, CO, CR, CU, CZ, DE, DK, DM, DO, DZ, EC, EE, EG, ES, FI, GB, GD, GE, GH, GM, GT, HN, HR, HU, ID, IL, IN, IS, JP, KE, KG, KM, KN, KP, KR, KZ, LA, LC, LK, LR, LS, LT, LU, LY, MA, MD, ME, MG, MK, MN, MW, MX, MY, MZ, NA, NG, NI, NO, NZ, OM, PG, PH, PL, PT, RO, RS, RU, SC, SD, SE, SG, SK, SL, SM, ST, SV, SY, TJ, TM, TN, TR, TT, TZ, UA, UG, US, UZ, VC, VN, ZA, ZM, ZW.

(22) International Filing Date: 31 October 2008 (31.10.2008)

(25) Filing Language: English

(26) Publication Language: English

(30) Priority Data:
60/984,719 1 November 2007 (01.11.2007) US

(71) Applicant (for all designated States except US): IOWA STATE UNIVERSITY RESEARCH FOUNDATION, INC. [US/US]; 310 Lab of Mechanics, Ames, Iowa 50011-2131 (US).

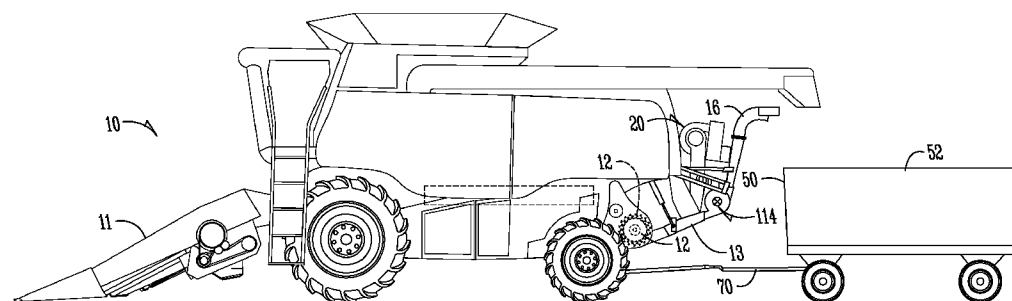
(84) Designated States (unless otherwise indicated, for every kind of regional protection available): ARIPO (BW, GH, GM, KE, LS, MW, MZ, NA, SD, SL, SZ, TZ, UG, ZM, ZW), Eurasian (AM, AZ, BY, KG, KZ, MD, RU, TJ, TM), European (AT, BE, BG, CH, CY, CZ, DE, DK, EE, ES, FI, FR, GB, GR, HR, HU, IE, IS, IT, LT, LU, LV, MC, MT, NL, NO, PL, PT, RO, SE, SI, SK, TR), OAPI (BF, BJ, CF, CG, CI, CM, GA, GN, GQ, GW, ML, MR, NE, SN, TD, TG).

(72) Inventors; and

(75) Inventors/Applicants (for US only): BIRRELL, Stuart J. [ZW/US]; 310 Lab of Mechanics, Ames, Iowa 50011-2131 (US). DILTS, Mark D. [US/US]; 310 Lab of Mechanics, Ames, Iowa 50011-2131 (US). SCHLESSER, Benjamin J. [US/US]; 310 Lab of Mechanics, Ames, Iowa 50011-2131 (US).

Published:
— without international search report and to be republished upon receipt of that report

(54) Title: AIR MOVEMENT UNIT FOR BIOMASS CONVEYANCE, SEPARATION, OR COMBINE PERFORMANCE ENHANCEMENT



(57) Abstract: A harvesting machine includes a self-propelled vehicle adapted for separating grain from non-grain material, a cleaning shoe and a fan for controlling air flow. The fan is positioned downstream of the cleaning shoe and the fan having an air inlet for providing air to the fan and an aspiration outlet for providing air from the fan. The fan assists in reducing static air pressure within the harvesting machine. The fan may be a centrifugal fan. The harvesting machine may further include a chopper operatively connected to the vehicle and adapted for receiving the non-grain material and chopping the non-grain material and a blower adapted for assisting in conveying the non-grain material from the chopper such as for collection in a collection container.



WO 2009/059092 A2

**TITLE: AIR MOVEMENT UNIT FOR BIOMASS CONVEYANCE,
SEPARATION, OR COMBINE PERFORMANCE
ENHANCEMENT**

5

CROSS-REFERENCE TO RELATED APPLICATIONS

This application claims priority under 35 U.S.C. § 119 to a provisional application, U.S. Serial. No. 60/984,719 filed November 1, 2007, which is hereby incorporated by reference in its entirety.

10

BACKGROUND OF THE INVENTION

The present invention relates to air flow separation associated with a harvesting machine, more particularly, but not exclusively, the present invention relates to air flow separation of a harvesting machine which is adapted to harvest grain as well as biomass material also sometimes referred to as crop residue, cellulosic material, stover, or material other than grain (MOG) which may include leaves, stalks, husks, chaff, or any other material that passes through a combine but is not removed in the grain stream.

Harvesting machines or combines are self-propelled machines which harvest, thresh, separate, and clean an agricultural crop. The resulting clean grain is stored in a grain tank located on the harvesting machine and can be transported from the grain tank to a wagon, cart, truck, or other container by an unloading auger. In a typical process, after separation and threshing of the grain, it is directed to a cleaning system that typically includes a cleaning shoe having a chaffer and a sieve. A cleaning fan directs aspirated air through the chaffer and sieve blowing the lighter chaff and straw out the rear of the combine. The clean grain, being heavier falls through the chaffer and sieve and may be collected by a clean grain auger which directs it to a clean grain elevator which conveys the clean grain to the grain tank.

One of the problems with combines is providing sufficient airflow out of the cleaning shoe, particularly in a manner which does not add increased complexity to the design or operation of the combine. Another seemingly unrelated problem to one not having the benefit of this disclosure involves biomass collection and the addition air flow related problems introduced by biomass collections. Thus, what is needed is a combine with an air movement unit that assists in biomass conveyance or enhances combine performance.

35

Therefore, it is a primary object, feature, or advantage of the present invention to improve over the state of the art.

SUMMARY OF THE INVENTION

5 According to one aspect of the present invention, a harvesting machine includes a self-propelled vehicle adapted for separating grain from non-grain material, a cleaning shoe and a fan for controlling air flow. The fan is positioned downstream of the cleaning shoe and the fan having an air inlet for providing air to the fan and an aspiration outlet for providing air from the fan. The fan assists in reducing static air
10 pressure within the harvesting machine.

 According to another aspect of the present invention, a harvesting machine includes a self-propelled vehicle adapted for separating grain from non-grain material, a chopper operatively connected to the vehicle and adapted for receiving the non-grain material and chopping the non-grain material, a blower adapted for assisting in
15 conveying the non-grain material from the chopper, a fan for controlling air flow; an air inlet for providing air to the fan, and an aspiration outlet for providing air from the fan.

 According to another aspect of the present invention, a method for controlling air flow includes providing a harvesting machine comprising (a) a self-propelled
20 vehicle adapted for separating grain from non-grain material, (b) a cleaning shoe, (c) a fan for controlling air flow, the fan positioned downstream of the cleaning shoe and the fan having an air inlet and an aspiration outlet, and (d) wherein the fan assists in reducing static air pressure within the harvesting machine. The method further includes intake of air through the air inlet of the fan and aspirating air through an
25 aspiration outlet of the fan. The fan can have other functions, included but not limited to, separation of lighter non-grain material from heavier non-grain material.

BRIEF DESCRIPTION OF THE DRAWINGS

 FIG. 1 is a perspective view of a combine adapted for harvesting biomass as
30 well as spreading biomass.

 FIG. 2 is a cross section of a combine with an air movement unit.

 FIG. 3 is a cross section of a combine with an air movement unit.

 FIG. 4 is a diagram illustrating basic flow of material other grain and examples of air flow.

FIG. 5 illustrates one embodiment of a combine with an associated support vehicle for collecting non-grain material.

DETAILED DESCRIPTION

5 The present invention is described in the context of a combine harvester can perform either or both of two separate functions of biomass capturing or biomass spreading. The spreading function is associated with conventional combines which collect grain and spread crop residue back on to ground. Although the present invention is advantageous in the context of a combine harvester which can provide for
10 both biomass capturing and biomass spreading, it may also be used in the context of conventional combines.

 FIG. 1 illustrates a combine harvester or harvesting machine **10** which is adapted for both harvesting biomass as well as spreading biomass. The harvesting machine **10** may be based on a self-propelled combine such as a John Deere 9750STS
15 combine or similar platform. A residue chopper **12** is provided. A header **11** is shown on the front of the harvesting machine **10**. In addition, a particle accelerator or silage blower **14** from a self-propelled forage harvester is mounted behind the chopper **12**. The blower **14** may be from a John Deere 7500 self propelled forage harvester or similar blower and is mounted on the back of the harvesting machine **10** immediately
20 behind the chopper **12**. The blower **14** is a device used in conveying material. The blower may include a shaft upon which a series of paddles are mounted radially from the center. Material is fed tangentially into the perimeter of the paddles so the paddles hit and accelerate the material. Through the use of a transition member **13**, all or a certain fraction of material flowing through the chopper **12** may be discharged either
25 onto the ground or through the blower **14**. A deflector plate may be positioned immediately below the transition member **13**. When the transition member **13** is set to collect the crop residue, crop residue material is sent to the blower **14**, and the crop residue material may then be blown through the chute **16** into a wagon or truck or other support vehicle to be removed from the field. An air movement unit **20** having
30 one or more fans may be mounted on a rearward portion of the combine **10**.

 FIG. 2 illustrates a cross section of a harvesting machine **10**. Note that biomass material leaving the chopper **12** is either discharged at the transition member **13** or conveyed by the blower **14** through the chute **16**. The position of the transition member **13** may be set through hydraulic, electronic, or other type of control so that 0

to 100 percent of the biomass material leaving the chopper is spread and that a corresponding 100 to 0 percent of the biomass material is collected.

FIG. 4 illustrates the combine **10** with an air movement unit **20** including one or more fans **22** positioned at the back end of the combine **10**. Each fan **22** is a device used to move air. One or more centrifugal fans, each having paddles mounted radially outward from a center shaft may be used. Each fan **22** moves air from an inlet at the center to outlets at the perimeter. As air moves into each fan **22**, the paddles accelerate it and the air is forced outwardly by centrifugal force. The fans **22** used need not be centrifugal fans. The fans **22** may be mounted on a common shaft with the blower portion **14**, or the fans may be remote mounted. Mounting on a common shaft may reduce complexity, parts, and maintenance compared to remote mounting. However, remote mounting will allow the fans **22** to be used for air movement when the combine is utilized in normal operation without biomass harvest. Having fans **22** co-located with a blower **14** at the exit of the combine **10** will increase combine efficiency, increase dust control, and assist feed into the chopper by evacuating air, as well as separating heavy and light materials through aspiration in and after the blower segment. In addition, it is to be understood that fan size may be adjusted in either the width or radial dimensions to alter the amount of airflow needed and the application at hand. Applications may include, without limitation, increased aspiration for separation of heavy and light materials, improved feeding through the chopper, improved grain shoe performance, improved dust control, and improved stover spreading.

The air movement unit **20** shown is positioned between the chopper **12** and the blower **14**. The air aspiration conduit or outlet **28** is shown after the blower **14** to provide for cross aspiration and the air inlet **24** is shown between the chopper **12** and blower **14**.

A harvesting machine outlet **30** is shown after the chopper **12**. The embodiment shown in FIG. 2 assists in conveying light material from the harvesting machine outlet **30** to the inlet **32** of the blower **14**. The inlet **24** to the fan **22** may be coincident with the center of the blower **14**, or located near the blower **14** such that any airflow will assist material movement in the direction of the blower **14**. For purposes of explanation, it is to be understood that a material is considered heavy if it has a low surface area to density ratio such that it is likely to be unaffected by an airstream. Stalks, corn cobs, and pebbles are examples of heavy materials. A

material is considered light if it has a relatively high surface area to density ration. This material is likely to be displaced by an airstream. Chaff, corn husks, and feathers are examples of light materials.

During biomass harvesting operations, the fan **22** may assist pulling material
5 into the area of the blower paddles **40** where the heavier material will be picked up by the paddles **40** and conveyed onwards towards the chute **16** while the lighter material is conveyed with the air. The fan **22** assists in evacuating air from the back end of the combine **10**. Thus, the fan creates a low pressure area which helps pull material and dust through the machine. In addition, the fan **22** provides a source of air which may
10 be used for further fractionation of light material from heavy material. An example can be separation of lighter non-grain material from heavier non-grain material. For instance heavier non-grain material like cobs (or substantial pieces of cobs) can be conveyed to blower **14** while lighter non-grain material like chaff, dust, and lighter debris or plant material can be aspirated by fan **22** by drawing the lighter non-grain
15 material (e.g. chaff and dust), and separating it from heavier non-grain material (e.g. cobs), which continues to blower **14**. The aspirated material can be carried by air flow generated by outlet **28**. This is one way to achieve cob separation from lighter debris.

In addition to the specific configuration shown in FIG. 2, the present invention
20 contemplates that the air inlet **24** may be located in various positions including positions which allow the air inlet to provide for intake of ambient air, before the chopper **12**, or to provide for air intake from the cleaning shoe area or other vents of the combine **10**. Likewise, the air outlet **28** from the fan **22** for cross aspiration is shown after the blower **14**. However, the cross aspiration air outlet **28** could be in a
25 number of different configurations such as, without limitation, after the chopper **12**, between the chopper **12** and the blower **14**, or elsewhere.

FIG. 3 illustrates an alternative location for the air inlet **24** and the air outlet **28**. In FIG. 3, the air inlet is before the chopper at the cleaning shoe **26**. The air outlet **28** is after the chopper **12** and before the blower **14**.

FIG. 4 is a diagram showing basic flow of material other than grain (MOG)
30 and how air may be drawn into the fan from various locations and aspirated to various locations. The particular placement of the air inlet **24** and the air outlet **28** may be determined based upon the desired objectives and attendant design considerations.

For example, where a desired objective is to keep the cleaning shoe **26** of the combine clean, the fan **22** may have its air inlet **24** placed nearer the cleaning shoe **26** to provide for removal of air from the cleaning shoe **26**. This may be achieved whether the combine is operating conventionally or for biomass collection. The cleaning shoe **26** may include a perforated screen which uses a stream of air to lift and fluidize the bed of crop material including grain and material other than grain (MOG). In this manner, the grain, being denser, falls through the screen while the MOG is carried over the screen and out the back of the harvesting machine. Modern harvesting machines have gained so much capacity that the evacuation of this air from the rear of the harvesting machine can be challenging. In fact, modern combines may flow more than 16,000 cubic feet per minute (CFM) through the cleaning shoe. When the stream of air is reduced, the fluidization breaks down and MOG falls through the screen, contaminating the grain sample. The addition of biomass harvest further complicates the matter as the additional machinery provides a restriction to airflow. Thus, the fan **22** may have its air inlet placed after the cleaning shoe **26** to assist in air flow by evacuating air from the harvesting machine. Having one or more fans **22** creating negative pressure at the outlet may increase the combine efficiency for conventional combines, or combines used in biomass harvest.

Where the desired objective is dust control, placement of the air inlet **24** of the fan **22** to evacuate air from the combine may be performed. Dust control is a challenge with modern combines flowing massive amounts of air. A restriction at the exit of the combine will cause a pressure build-up in the cleaning shoe **26**. This pressure buildup may manifest itself as dust blowing out of the feeder house entrance. Having fans **22** creating negative pressure at the outlet **28** reduces dusting from other areas of the combine, and concentrates dust at the exit for better control. Thus dust and dusting out of the feeder house at the front of machine is controlled, thereby improving visibility from the front.

Where the desired objective is to provide for enhanced flow of chopped crop residue from the chopper **12** to the crop blower **14**, the fan **22** may be placed at the chopper **12** or between the chopper **12** and the blower **14** to induce air flow. Such a placement may also be used to provide for fractionation of biomass into light and heavy fractions in the field and on the go. One of the existing concerns with biomass is the selective harvest of corn cobs. The primary contaminant in corn cobs coming out of the cleaning shoe **26** is husk. The fans **22** allow a double advantage by both

sucking husks out and providing a source of air for further blowing husks out. The exhaust of the fans **22** can be used to increase the acceleration of light crop residues for improved delivery to the in field container such as a truck or wagon.

Thus, the fan **22** may have air inlets **24** or air outlets **28** at different positions
5 depending upon the specific objectives to be achieved as the fan **22** has several purposes. The induced air flow from the harvesting machine body to the fan **22** will improve cleaning shoe function by reducing static air pressure inside the combine overall. In biomass harvest, the airflow will assist crop flow from the chopper **12** to the crop blower **14** or other location where the air inlet is positioned. Secondly, the
10 exhaust air from the fan **22** can be used to aspirate the accelerated crop residue before delivery to the support vehicle (or other container) or the exhaust air can be utilized to enhance the flow of the crop residue to the support vehicle **50** shown in FIG. 5. The support vehicle **50** may be a wagon or truck which includes or forms a collection container **52**.

15 It is further believed that many of the problems associated with conventional combines are the result of improper airflow. The present invention assists with addressing those problems through allowing for various placements of the air inlet of fans and the outlets of the fans. Thus, fans may be added to help cope with the loss of airflow accompanying the modifications to allow biomass harvest. In addition, the
20 proper addition of fans offers advantages for conventional harvest.

Therefore, advantages associated with the present invention may include assisting in conveying light material from combine outlet to inlet of the blower, assisting in fractionation of plant material, assisting in combine efficiency by evacuating air from the cleaning shoe thus allowing the crop mat to maintain a
25 fluidized bed, controlling dust, conveying light material, assisting in further fractionating heavy and light material downstream from the blower through aspiration, and other advantages.

Therefore, an improved combine has been disclosed. The present invention contemplates numerous variations in the number, type, and placements of a fan, its
30 inlets, and its outlets. The present invention contemplates variations and alternatives in the manner in which the fan is used to affect air flow in either conventional or biomass harvesting applications both with respect to the air inlet and the aspiration. The present invention is not intended to be limited to the specific embodiments provided herein.

What is claimed is:

- 5 1. A harvesting machine, comprising:
a self-propelled vehicle adapted for separating grain from non-grain material;
a cleaning shoe;
a fan for controlling air flow, the fan positioned downstream of the cleaning shoe and
the fan having an air inlet for providing air to the fan and an aspiration outlet
10 for providing air from the fan; and
wherein the fan assists in reducing static air pressure within the harvesting machine.
2. The harvesting machine of claim 1 wherein the air inlet being positioned
proximate the cleaning shoe.
- 15 3. The harvesting machine of claim 1 further comprising:
a chopper operatively connected to the self-propelled vehicle and adapted for
receiving the non-grain material and chopping the non-grain material; and
a blower adapted for assisting in conveying the non-grain material from the chopper.
- 20 4. The harvesting machine of claim 3 wherein the air inlet of the fan being
positioned between the chopper and the blower.
5. The harvesting machine of claim 3 wherein the aspiration outlet of the fan
25 being positioned after the blower.
6. The harvesting machine of claim 1 wherein the fan is a centrifugal fan.
7. A harvesting machine, comprising:
30 a self-propelled vehicle adapted for separating grain from non-grain material;
a chopper operatively connected to the vehicle and adapted for receiving the non-
grain material and chopping the non-grain material;
a blower adapted for assisting in conveying the non-grain material from the chopper;
a fan for controlling air flow;

an air inlet for providing air to the fan; and
an aspiration outlet for providing air from the fan.

8. The harvesting machine of claim 7 wherein the air inlet receives air from
5 inside the harvesting machine to exhaust the air from the combine.

9. The harvesting machine of claim 8 wherein the air inlet is positioned
proximate a cleaning shoe.

10 10. The harvesting machine of claim 7 wherein the air inlet is positioned between
the chopper and the blower.

11. The harvesting machine of claim 7 wherein the aspiration outlet is positioned
after the blower.

15

12. The harvesting machine of claim 7 wherein the non-grain material includes
heavier non-grain material and lighter non-grain material; the air inlet is positioned
after the chopper; the aspiration outlet is positioned after the blower; wherein the
heavier non-grain material is conveyed by the blower; and wherein the lighter non-
20 grain material is separated from the heavier components by air flow to the aspiration
outlet is conveyed through the air inlet, through the fan, to the aspiration outlet.

13. The harvesting machine of claim 7 wherein the fan is a centrifugal fan.

25 14. A method for controlling air flow, comprising:
providing a harvesting machine comprising (a) a self-propelled vehicle adapted for
separating grain from non-grain material, (b) a cleaning shoe, (c) a fan for
controlling air flow, the fan positioned downstream of the cleaning shoe and
the fan having an air inlet and an aspiration outlet, and (d) wherein the fan
30 assists in reducing static air pressure within the harvesting machine;
intaking air through the air inlet of the fan; and
aspirating air through an aspiration outlet of the fan.

15. The method of claim 14 wherein the air inlet and the aspiration outlet are on opposite sides of a pathway through a blower.

16. The method of claim 14 wherein the aspirating the air through the aspiration
5 outlet of the fan assists in flow of the non-grain material to a collection container.

17. The method of claim 16 wherein the collection container being housed within a support vehicle.

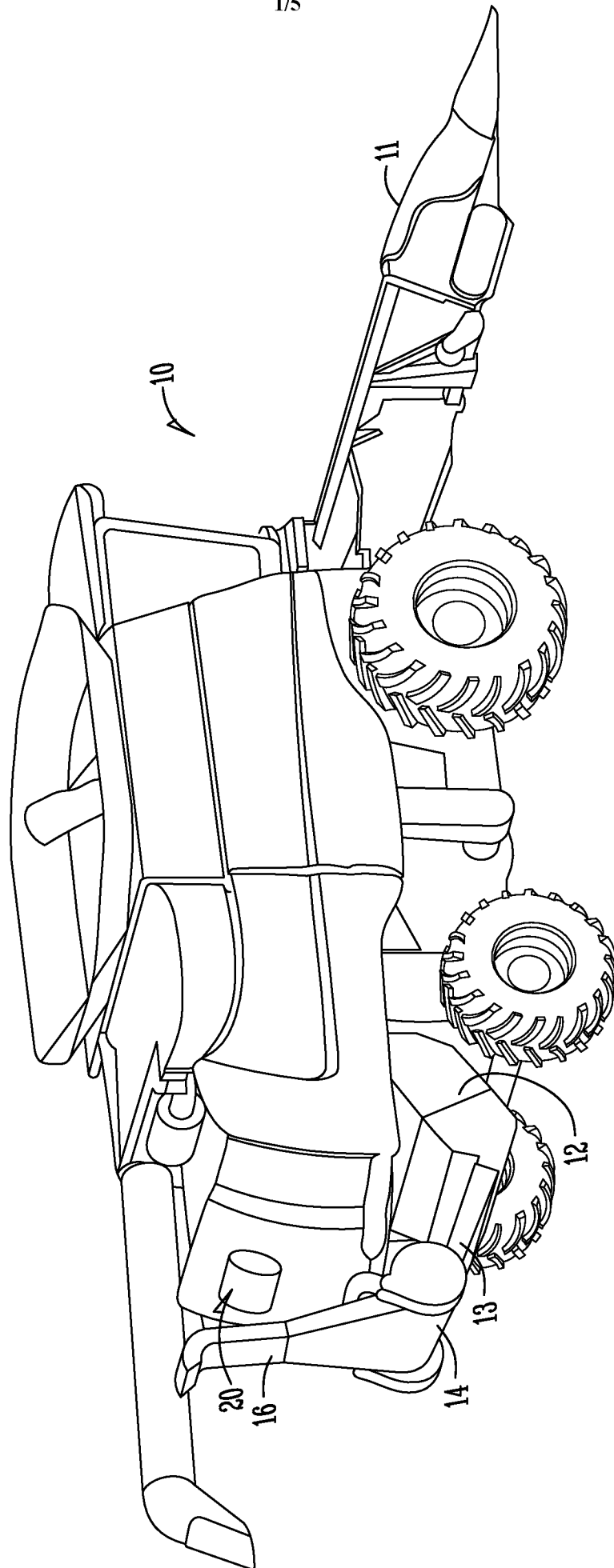


Fig. 1

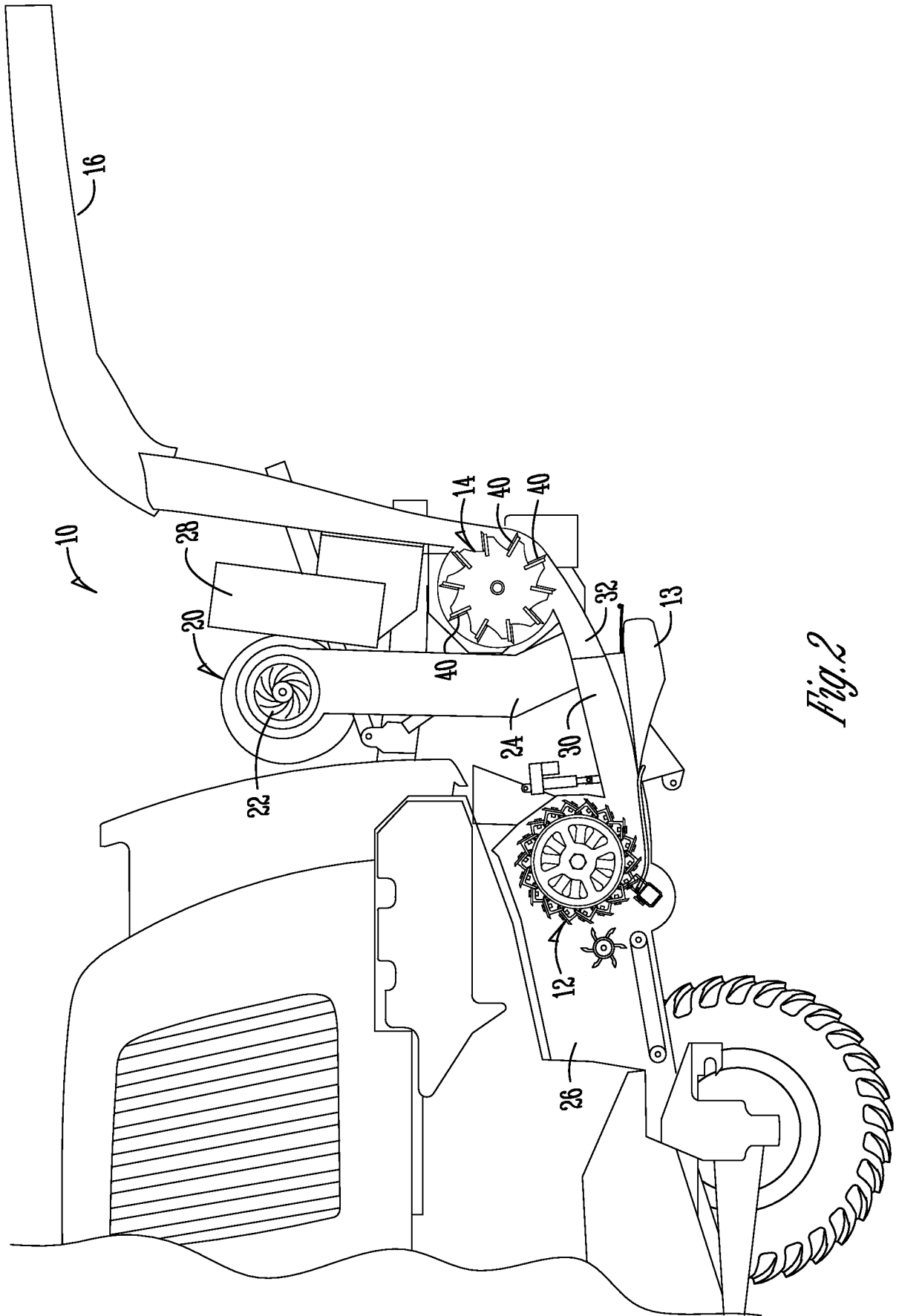


Fig. 2

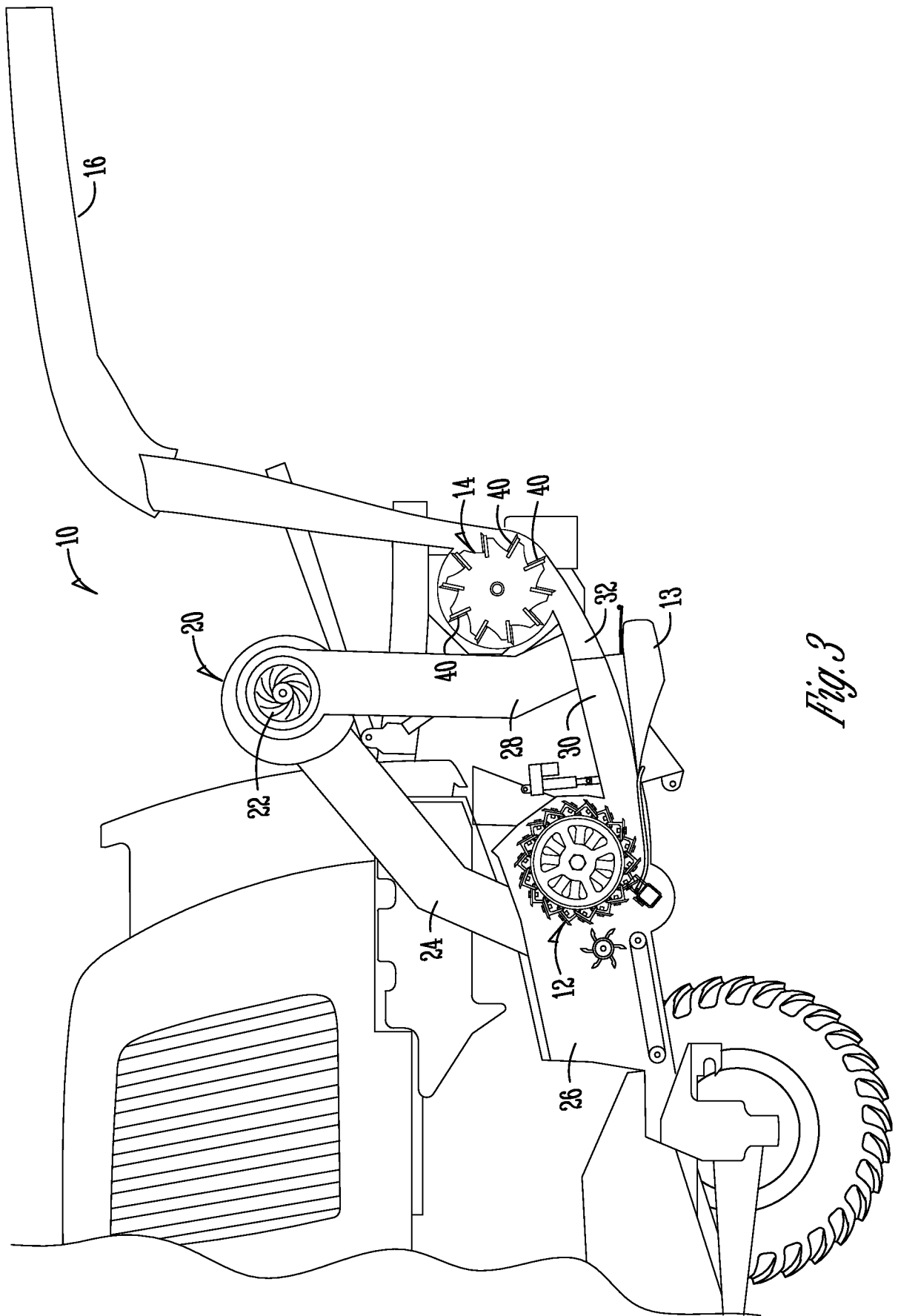


Fig. 3

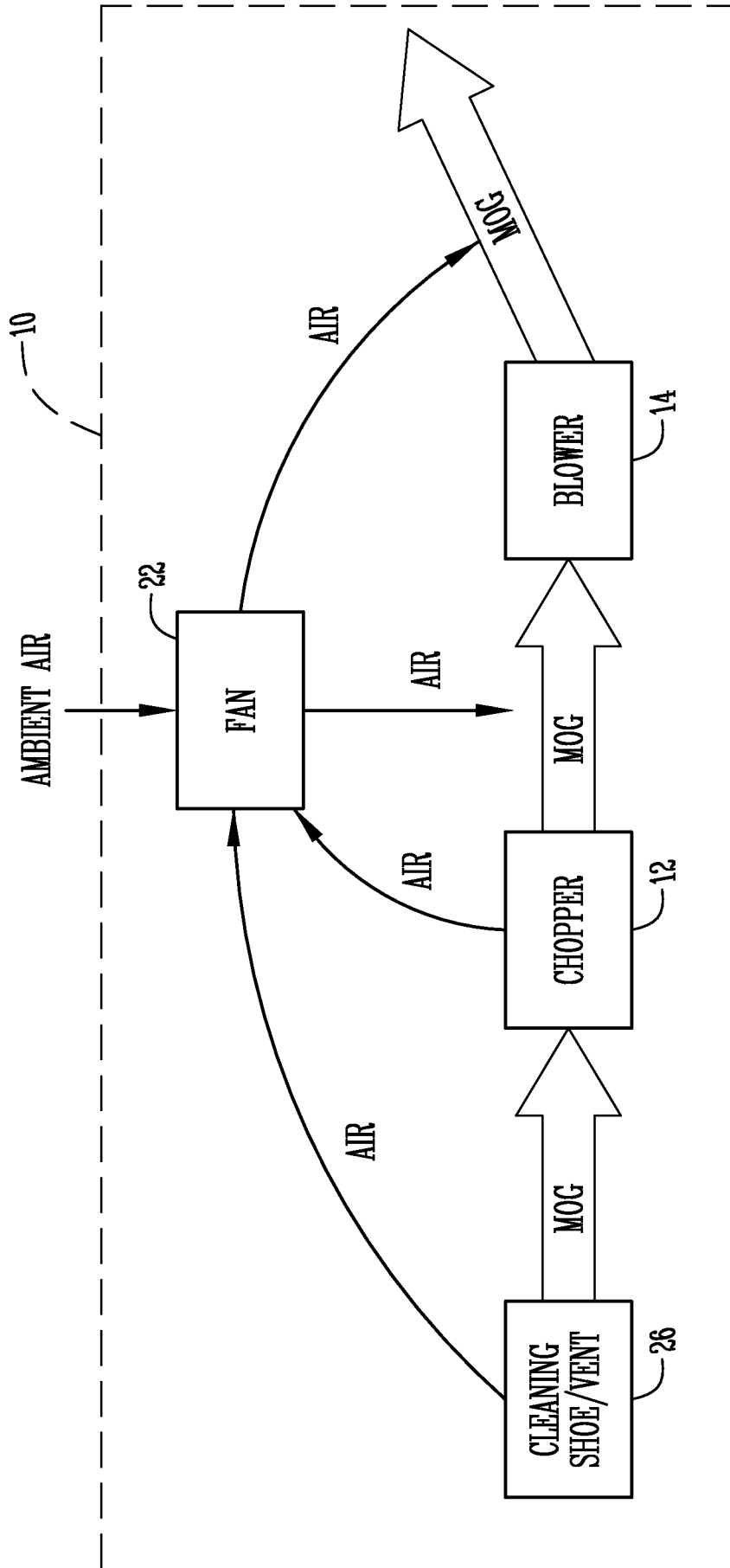


Fig. 4

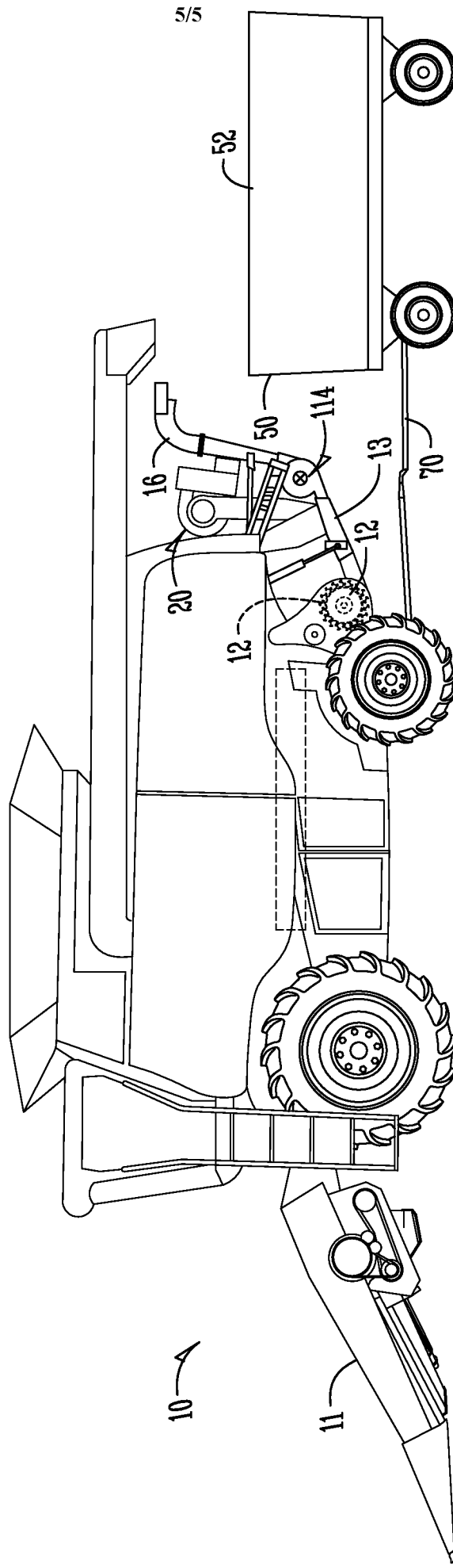


Fig. 5