



US00D840095S

(12) **United States Design Patent** (10) **Patent No.:** **US D840,095 S**  
**Miro et al.** (45) **Date of Patent:** **\*\* Feb. 5, 2019**

(54) **RECESSED LAMP COMPONENT** D57,256 S \* 3/1921 Ohm ..... D26/152  
D60,003 S \* 12/1921 Adam ..... D26/149  
D68,156 S \* 9/1925 Poritz ..... D26/150  
(71) Applicant: **SIMON S.A.**, Barcelona (ES) D74,220 S \* 1/1928 Holderman ..... D26/152  
D74,225 S \* 1/1928 Holderman ..... D26/152  
D74,541 S \* 2/1928 Buccini ..... D26/152  
(72) Inventors: **Salvi Plaja Miro**, Barcelona (ES); D74,975 S \* 4/1928 Holderman ..... D26/152  
**Adrià Riqué Rebull**, Barcelona (ES); D87,355 S \* 7/1932 Pospisil ..... D26/72  
**Clara Batiste Mayas**, Barcelona (ES); D232,321 S \* 8/1974 Boissevain ..... D26/141  
**Marta Portillo Lainez**, Barcelona (ES); D250,968 S \* 1/1979 Combest ..... D26/152  
**Francesc Jordana Casamitjana**, D469,916 S \* 2/2003 Caferro ..... D26/123  
Barcelona (ES); **Ricard Llimós Sala**, D471,314 S \* 3/2003 Guthrie ..... D26/152  
Barcelona (ES) D497,447 S \* 10/2004 Yoneda ..... D26/24  
8,876,351 B2 \* 11/2014 Wei ..... F21S 8/03  
(73) Assignee: **Simon S.A.**, Barcelona (ES) 8,920,005 B2 \* 12/2014 Ahn ..... F21V 29/2293  
362/235  
(\*\*) Term: **15 Years** D764,094 S \* 8/2016 Zhai ..... D26/72  
D796,722 S \* 9/2017 Zhu ..... D26/72  
(21) Appl. No.: **35/503,082** D802,197 S \* 11/2017 Ding ..... D26/72  
D803,453 S \* 11/2017 Engle ..... D26/72  
(22) Filed: **Mar. 2, 2017** 2018/0044861 A1 \* 2/2018 Stiles ..... E01C 17/00  
2018/0091222 A1 \* 3/2018 Arai ..... H04B 10/116

(80) **Hague Agreement Data**

Int. Filing Date: **Mar. 2, 2017**  
Int. Reg. No.: **DM/096080**  
Int. Reg. Date: **Mar. 2, 2017**  
Int. Reg. Pub. Date: **Jun. 2, 2017**

(51) **LOC (11) Cl.** ..... **26-99**  
(52) **U.S. Cl.** ..... **D26/152**  
USPC ..... **D26/152**  
(58) **Field of Classification Search**  
USPC ..... D26/72, 80, 81, 86, 138, 141, 149, 152,  
D26/74, 88  
CPC ..... F21S 8/03; F21S 8/02  
See application file for complete search history.

(56) **References Cited**

**U.S. PATENT DOCUMENTS**

D41,822 S \* 10/1911 Gothberg, Jr. .... D26/149  
D47,903 S \* 9/1915 Strong ..... D23/411  
D56,756 S \* 12/1920 Lipsky ..... D26/149

\* cited by examiner

*Primary Examiner* — Robert M. Spear  
(74) *Attorney, Agent, or Firm* — Thedford I. Hitaffer;  
Hitaffer & Hitaffer, PLLC

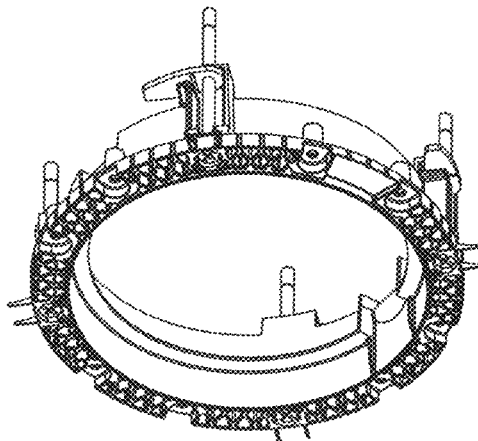
(57) **CLAIM**

The ornamental design for a recessed lamp component, as shown and described.

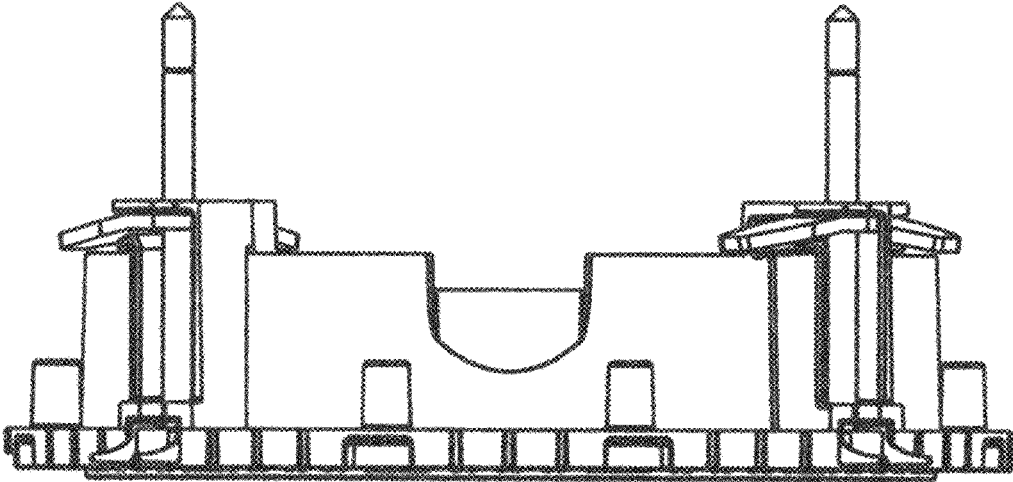
**DESCRIPTION**

- 1.1 —Side view of a recessed lamp component
- 1.2 —Side view of the recessed lamp component
- 1.3 —Rear perspective view of the recessed lamp component
- 1.4 —Front perspective view of the recessed lamp component
- 1.5 —Front view of the recessed lamp component
- 1.6 —Rear view of the recessed lamp component

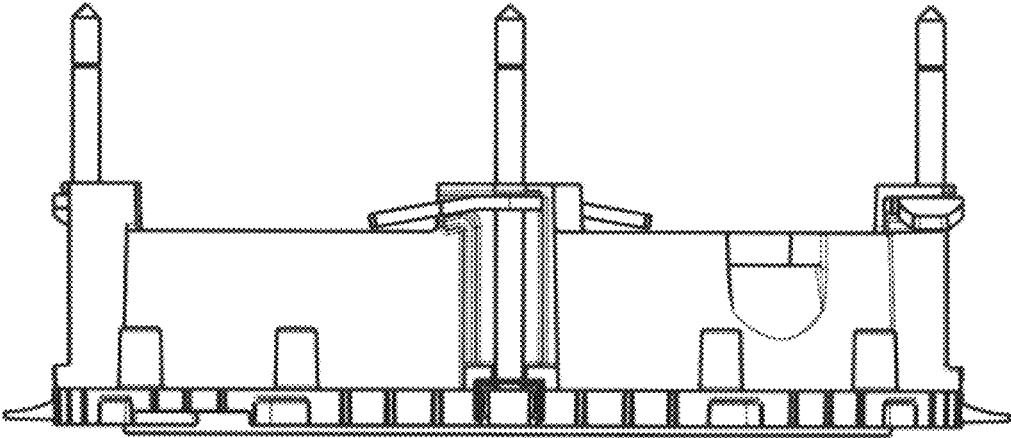
**1 Claim, 6 Drawing Sheets**



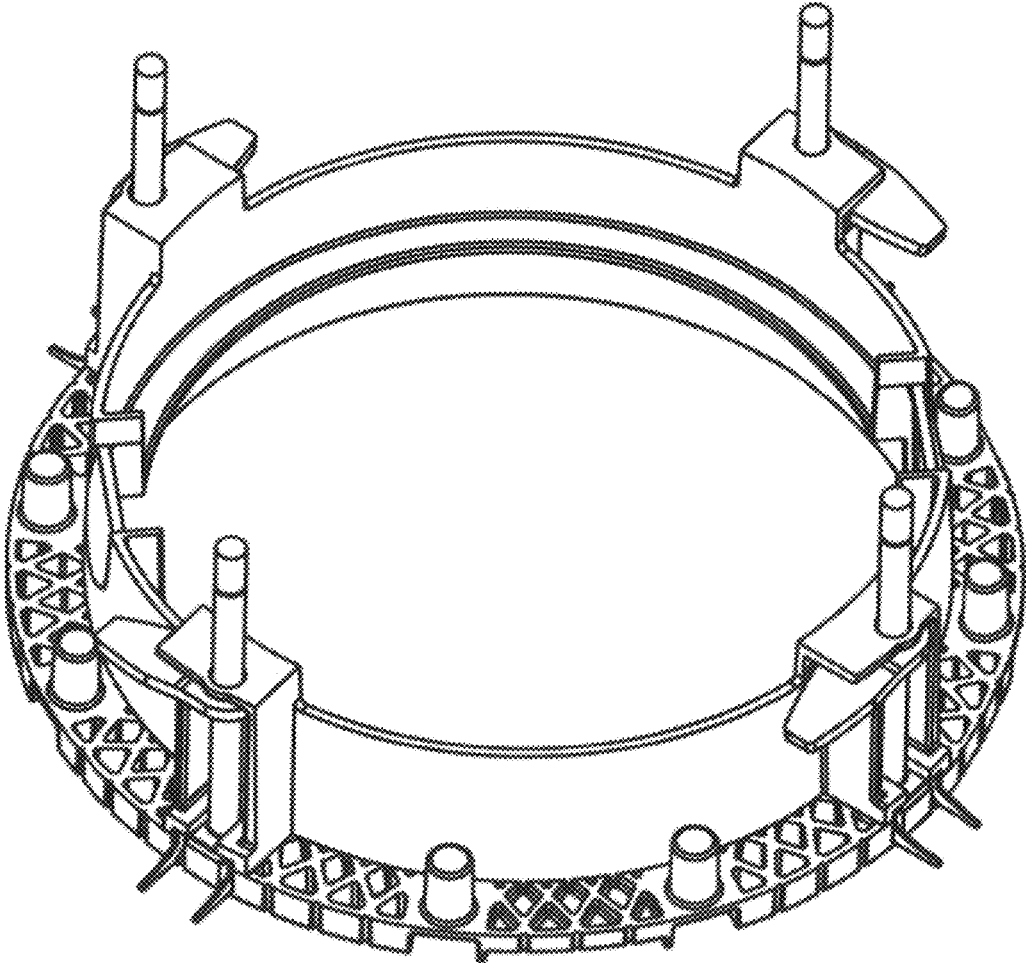
1.1



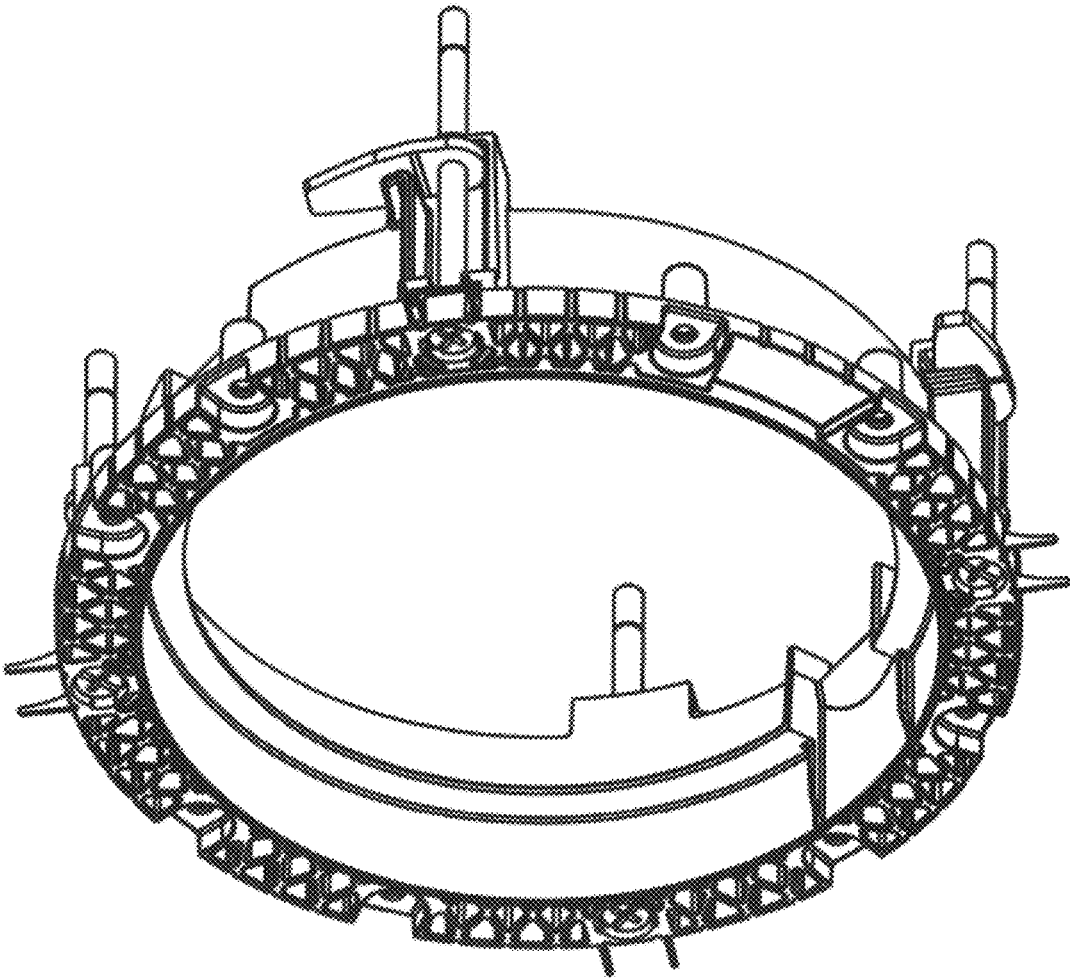
1.2



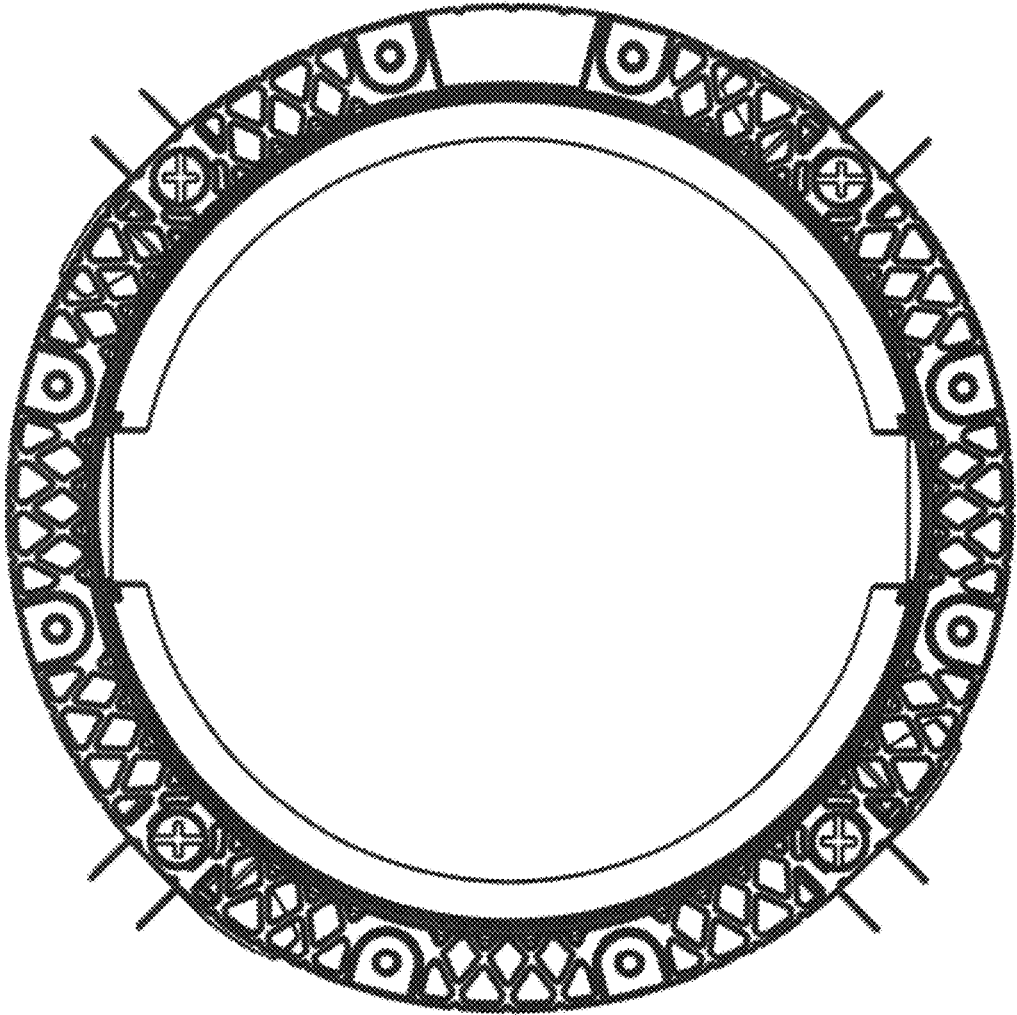
1.3



1.4



1.5



1.6

