



US00D749806S

(12) **United States Design Patent**  
**Hwang et al.**

(10) **Patent No.:** **US D749,806 S**

(45) **Date of Patent:** **\*\* Feb. 16, 2016**

(54) **DOOR COVER FOR WASHING MACHINE**

(71) Applicant: **Samsung Electronics Co., Ltd.**,  
Suwon-si (KR)

(72) Inventors: **Jung-Hoon Hwang**, Yongin-si (KR);  
**Ki-Sang Yoon**, Daejeon (KR); **Gi-Sung Han**, Ansan-si (KR)

(73) Assignee: **SAMSUNG ELECTRONICS CO., LTD.** (KR)

(\*\*) Term: **14 Years**

(21) Appl. No.: **29/494,768**

(22) Filed: **Jun. 24, 2014**

(30) **Foreign Application Priority Data**

Dec. 27, 2013 (KR) ..... 30-2013-0065758

(51) **LOC (10) Cl.** ..... **15-05**

(52) **U.S. Cl.**  
USPC ..... **D32/25**

(58) **Field of Classification Search**  
USPC ..... D32/1, 5-10, 25  
CPC ..... D06F 39/14  
See application file for complete search history.

(56) **References Cited**

**U.S. PATENT DOCUMENTS**

D501,966 S *	2/2005	Hwang	.....	D32/25
D506,045 S *	6/2005	No	.....	D32/25
D515,260 S *	2/2006	Ha	.....	D32/25
D544,157 S *	6/2007	Crookshanks	.....	D32/25
D592,367 S *	5/2009	Crookshanks	.....	D32/25
D616,163 S *	5/2010	Nam	.....	D32/25
D622,918 S *	8/2010	Choi	.....	D32/25
D646,859 S *	10/2011	DeSalvo	.....	D32/25
D688,429 S *	8/2013	Meda	.....	D32/25

D688,430 S *	8/2013	Meda	.....	D32/25
D700,409 S *	2/2014	Takahashi	.....	D32/25
D730,601 S *	5/2015	Jinnam	.....	D32/25
D730,602 S *	5/2015	Choi	.....	D32/25
D731,131 S *	6/2015	Ha	.....	D32/25
D732,767 S *	6/2015	Ha	.....	D32/25

\* cited by examiner

*Primary Examiner* — T. Chase Nelson

*Assistant Examiner* — Michelle E Wilson

(74) *Attorney, Agent, or Firm* — Cantor Colburn LLP

(57) **CLAIM**

The ornamental design for a door cover for washing machine, as shown and described.

**DESCRIPTION**

FIG. 1 is a front perspective view of a door cover for washing machine, showing our new design;  
 FIG. 2 is a front elevation view thereof;  
 FIG. 3 is a rear elevation view thereof;  
 FIG. 4 is a side elevation view thereof;  
 FIG. 5 is a another side elevation view thereof;  
 FIG. 6 is a top plan view thereof;  
 FIG. 7 is a bottom plan view thereof;  
 FIG. 8 is a cross-sectional view take along line 8-8 thereof in FIG. 1;  
 FIG. 9 is an enlarged cross-sectional view of the portion 9 in FIG. 8;  
 FIG. 10 is a rear perspective view thereof; and,  
 FIG. 11 is another perspective view thereof in an environment of use.

The broken lines are for environmental purpose only and form no part of the claimed design.

The dot-dash broken lines encircling the portion of the claimed design that is illustrated in an enlargement form no part of the claimed design.

**1 Claim, 9 Drawing Sheets**

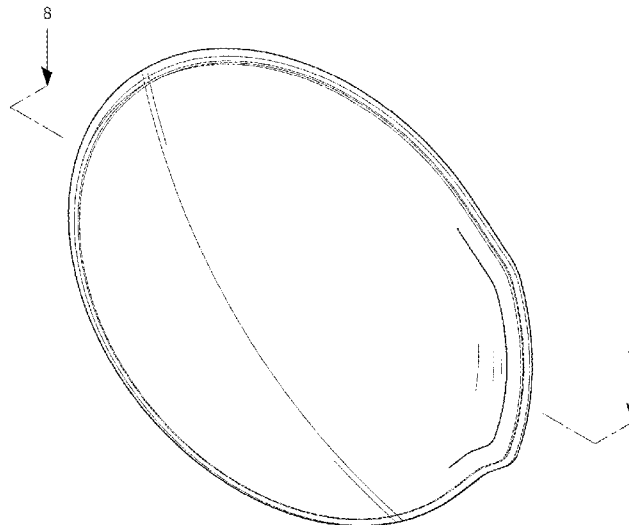


FIG. 1

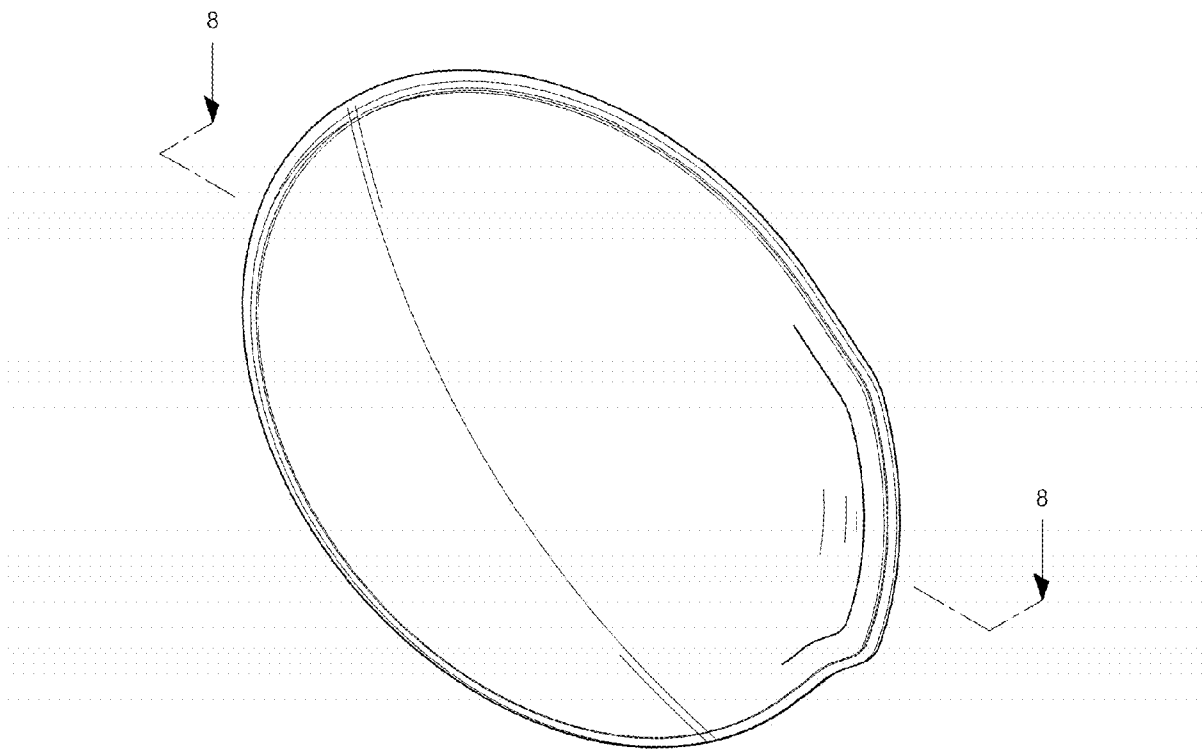


FIG. 2

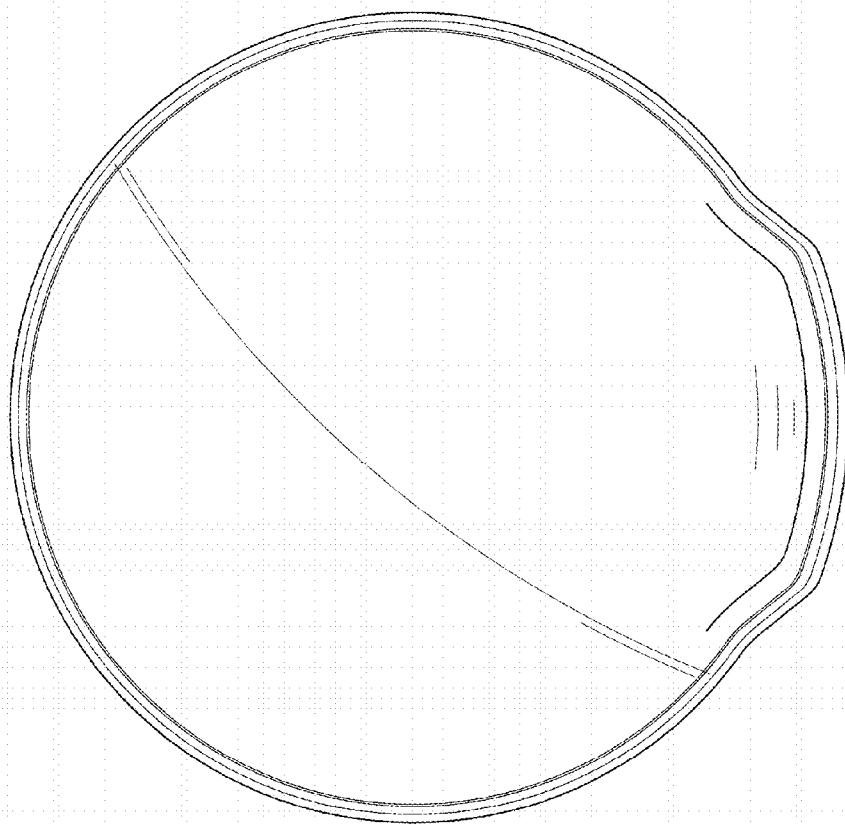


FIG. 3

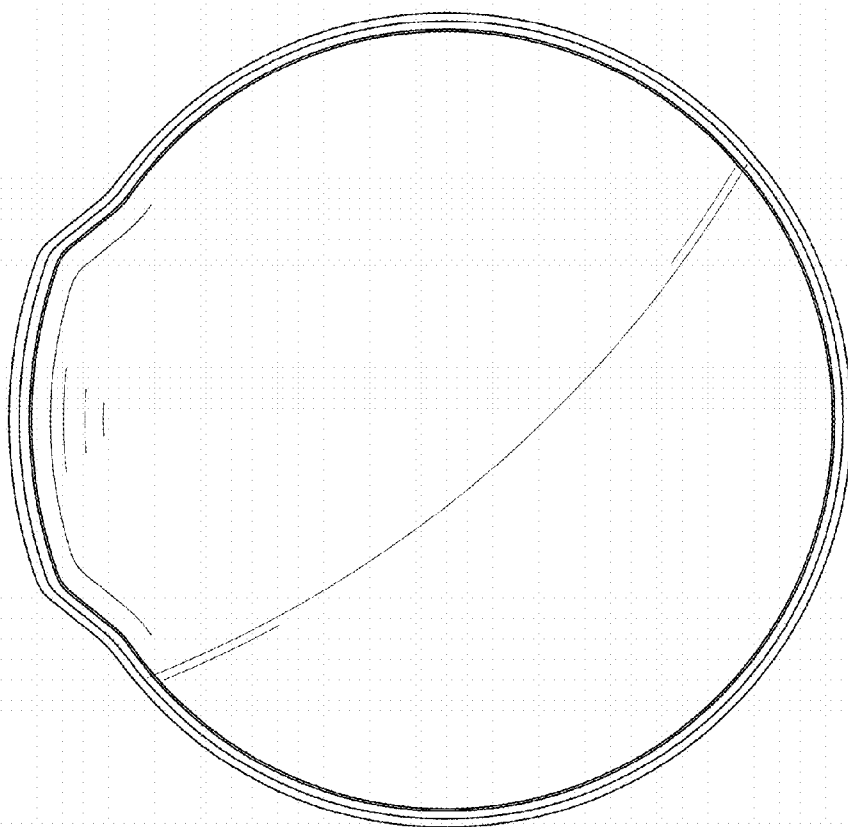


FIG. 4



FIG. 5

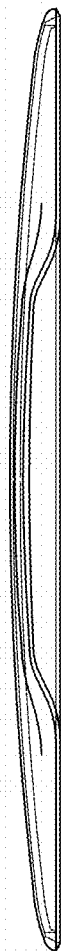


FIG. 6

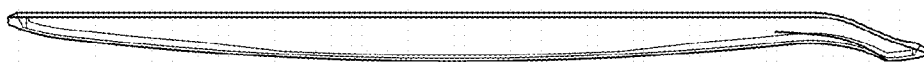


FIG. 7

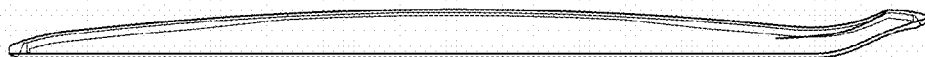


FIG. 8

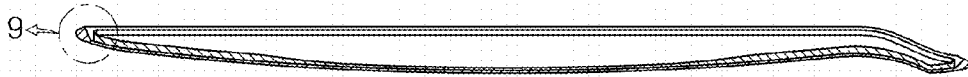


FIG. 9

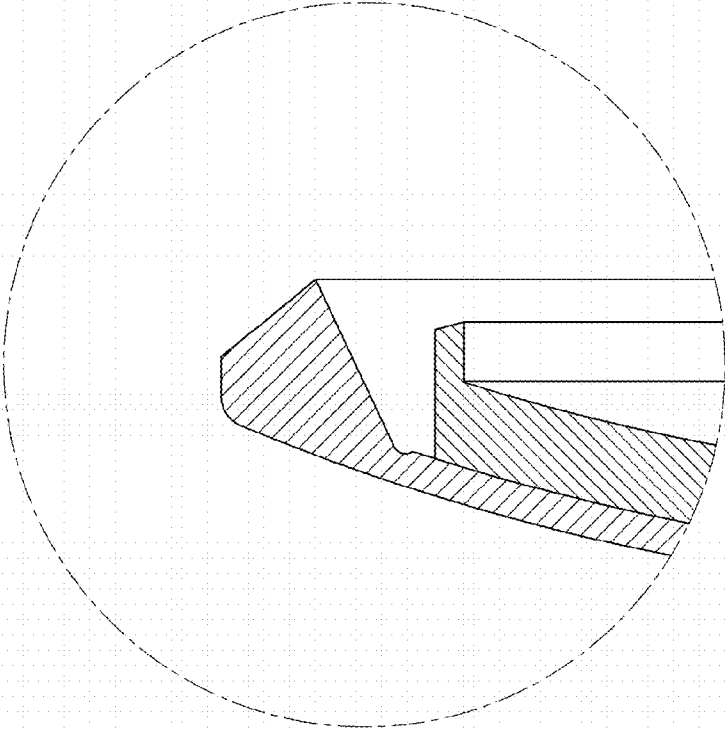


FIG. 10

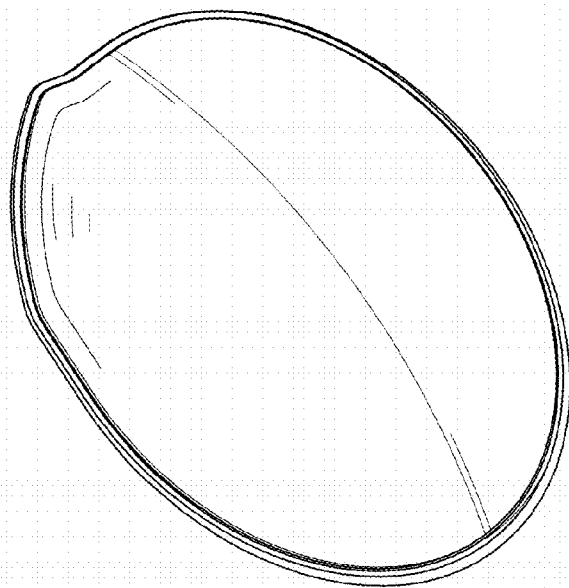


FIG. 11

