

(19) **DANMARK**

(10) **DK/EP 2452019 T3**



(12) **Oversættelse af
europæisk patentskrift**

Patent- og
Varemærkestyrelsen

-
- (51) Int.Cl.: **E 01 D 15/20 (2006.01)**
- (45) Oversættelsen bekendtgjort den: **2017-03-20**
- (80) Dato for Den Europæiske Patentmyndigheds bekendtgørelse om meddelelse af patentet: **2016-12-14**
- (86) Europæisk ansøgning nr.: **10797350.5**
- (86) Europæisk indleveringsdag: **2010-07-06**
- (87) Den europæiske ansøgnings publiceringsdag: **2012-05-16**
- (86) International ansøgning nr.: **NO2010000270**
- (87) Internationalt publikationsnr.: **WO2011005112**
- (30) Prioritet: **2009-07-06 NO 20092548**
- (84) Designerede stater: **AL AT BE BG CH CY CZ DE DK EE ES FI FR GB GR HR HU IE IS IT LI LT LU LV MC MK MT NL NO PL PT RO SE SI SK SM TR**
- (73) Patenthaver: **Cruise Ventures AS, , 6878 Veitastrond, Norge**
- (72) Opfinder: **Asbjarn, Nes, Brandøy, N-6878 Veitastrond, Norge**
- (74) Fuldmægtig i Danmark: **Larsen & Birkeholm A/S Skandinavisk Patentbureau, Banegårdspladsen 1, 1570 København V, Danmark**
- (54) Benævnelse: **Konstruktion af en gangsti**
- (56) Fremdragne publikationer:
WO-A2-99/14438
GB-A- 353 257
GB-A- 2 043 567
SE-B- 438 513
US-A- 3 747 354
US-A- 4 169 296

DESCRIPTION

Technical area of the invention

[0001] The present invention relates to a flexible floating walkway to transfer people and/or goods between installations at sea, such as ships and land, as defined in the preamble of the following claim 1.

[0002] The floating walkway of the invention is also intended for transport of people and goods between two floating installations, such as ships, or between two land areas, such as across a river or a strait or between islands.

[0003] Furthermore, the invention relates to methods to unfold and retract such floating walkway constructions, and different applications of the flexible floating walkway.

Background to the invention

[0004] Walkways have been known for many years. For example, a previously granted patent in Great Britain GB 353 257 (from 1930) describes a construction for loading and unloading a ship. The construction comprises a pontoon adapted to be anchored in the vicinity of the ship and a gangway adapted to couple the pontoon to a point connected to land. On land, a universal coupling is used and also a universal coupling is used at the pontoon so that the gangway shall be able to be swung out to the ship and be pulled back and be parked in parallel along the shore.

[0005] This construction has several disadvantages. It takes up too much space in harbour areas and the ship must still lie very close to land corresponding to the length of the gangway which is pushed out. As a consequence, the construction is not normally used in harbours today as it is more common that the gangway has a rolling support from the harbour and is rolled out when used to be connected to a ship. Furthermore, it is necessary that the ship is manoeuvred very close to the edge of the pier, something which can be technically difficult in today's modern harbours.

[0006] Regarding the state of art, reference is also made to the following patent publications: GB-2.043-567, WO-99/14438 and US-4.169.296.

Definition of the invention.

[0007] An aim of the present invention is to provide a more suitable and advantageous way to implement a connection between land and a ship which lies near land.

[0008] According to a first aspect of the invention, a flexible floating walkway construction is described, characterised in that it comprises bridge elements coupled in between floating elements fitted with horizontal and vertical segments, in that the floating elements are of the alternating type and in which a first type of floating element has segments that rotate during use relative to a vertical axis and a second type of floating element has segments that rotate during use relative to a horizontal axis, such that the floating elements can be pulled out in use to connect the installations, and folded up when the walkway is not in use, as defined in claim 1.

[0009] The invention is advantageous because the walkway can be folded up into a compact shape, and can also be pulled out into a relatively long, zigzag concertina shape to be coupled to either a ship or an adjoining land area, for example, across a strait, a river, or between two islands.

[0010] The invention is advantageous because the bridge elements and the floating elements of the walkway are coupled together via horizontal and vertical segments which makes it possible for the walkway to be folded out a relatively great distance from the coast, and that the walkway can be pulled back into a compact form on land, namely in a concertina-type movement.

[0011] Alternatively, the flexible, floating walkway is constructed so that the bridge elements are designed, together with the floating elements, to unfold and fold up in a zigzag concertina-type formation.

[0012] According to one embodiment, the flexible floating walkway is constructed such that the bridge elements are coupled to the floating elements in a way that prevents rotation of the bridge elements about their longitudinal axes.

[0013] According to an embodiment, the flexible floating walkway is constructed such that it includes fittings to pull out the walkway from a first installation and up to a second installation and to fold the walkway the other way, for example, to pull the walkway out to the ship and to fold the walkway back to the shore.

[0014] According to one embodiment, the flexible floating walkway is constructed such that the walkway is adapted during use to receive several bridge elements, or that the bridge elements can be removed from it, to adjust the length of the walkway according to need.

[0015] According to one embodiment, the flexible floating walkway is constructed such that an end floating element of the walkway is adjusted to be coupled to one side of a floating installation, such as a ship to give access for people and/or goods to/from the installation/ship.

[0016] According to yet another preferred embodiment, an end floating element of the walkway is adjusted to be coupled to one side of a floating installation, such as a ship to give access for people and/or goods to/from the installation/ship.

[0017] According to a second aspect of the invention a method is described as defined in claim 8, to connect a flexible walkway according to a first aspect of the invention to a ship, characterised in that the method comprises:

1. a) that the ship is fastened relative to land with a distance of water between the ship and land;
2. b) that the walkway is pulled out from a folded state from land in a zigzag way to a ship and thereafter to couple one end of a floating element of the walkway to one side or end of the ship.

[0018] According to a third aspect of the invention, a method is given as defined in claim 9; a method is given to couple a flexible walkway according to the first aspect of the invention from a ship, characterised in that the method comprises steps:

1. a) to uncouple one end floating element of the walkway from the ship; and
2. b) to fold the walkway in a zigzag way from the ship to a folded state parked next to a land area.

[0019] According to a fourth aspect of the invention a method is given which is defined in claim 10; a method to implement a flexible walkway according to the first aspect of the invention, characterised in that the method comprises steps:

1. a) to couple, via articulated bridge elements between floating elements to form a zigzag formation of bridge elements that implement the walkway; and
2. b) to couple one end of the formation to land.

[0020] The walkway construction according to the invention can be used to form a connection between land and an anchored ship, or across a strait between two land areas, across a river between two land areas, or between two floating installations, such as ships, where the walkway is in parked position on the one land bank and it is taken into use by being pulled across the strait/river and secured to the bank on the other side of the strait/river.

[0021] According to a preferred embodiment, bridge constructions are used as a transportation thoroughfare for people, goods and vehicles,

[0022] The components of the invention are adjusted to be combined as given in the subsequent claims.

Description of the drawings

[0023] The invention shall now be described in more detail with reference to the figures, in which:

Fig. 1

is an illustration of a walkway that is folded up, namely in a parked state;

Fig. 2

is an illustration of the walkway in Fig. 1 pulled out halfway;

Fig. 3

is an illustration of the walkway in Fig. 1 in an operative state, fastened to the side of a ship;

Fig. 4

is an illustration of a floating element with a horizontally rotating segment in perspective angle;

Fig. 5A

is an illustration of a section of the floating element in Fig 4, in which the floating element is fitted with a horizontally rotating segment;

Fig. 5B

is an illustration of an enlarged section of the rotating segment of the floating element;

Fig. 6

is an illustration of a section of the floating element with vertical segments and corresponding details, and

Fig. 7A

is a perspective view of the manner of operation of the walkway with floating elements that either rotate horizontally or vertically.

Fig. 7B

is a top view of the walkway of figure 7A.

Fig. 7C

is a perspective view of the manner of operation of the walkway with floating elements that rotate both horizontally and vertically.

Description of embodiments of the invention

[0024] In summary the invention relates to a flexible, floating bridge construction/ walkway set up to be connected between a ship and land. The walkway is comprised of a combination of bridge elements and floating elements fitted with horizontal and vertical segments with the result that the walkway has a zigzag shape in use, seen from above, that makes it possible for the walkway to be unfolded a relatively long distance from land, and to be folded up into a compact folded shape on land, namely in a so-called concertina type movement. It is advantageous to pull the walkway out to the ship with a boat and/or winch and be fastened to, for example, the side of the ship. Furthermore, the walkway is returned to a parked state by using winches. Alternative ways of moving the walkway are also possible, for example, via electric motors fitted on the walkway and/or propellers fitted on the walkway.

[0025] Fig. 1 shows an illustration of a walkway generally shown by **10**. The walkway **10** is shown folded up, namely in a parked state in an appropriate walkway parking installation **201** (such as a harbour installation) that is constructed on land in connection to the shoreline **20**. The walkway parking installation is formed so that it can store the folded walkway in a stable and secure way, as it comprises a rotary segment to which the innermost part of the walkway is anchored while the other end of the first floating element **60A** can be placed next to a fender **150** when the walkway is parked, folded up. The walkway parking installation **201** comprises a land fastening point **110** and can further comprise a terminus for people and cargo that shall use the walkway out to, and from, for example, an anchored or moored ship at a distance from the shoreline.

[0026] Nearby, out on the sea, a ship **30** is fastened to land **20** with at least one or more hawsers **40**. The walkway **10** comprises several bridge elements **50** that are coupled together in a zigzag formation as shown in Fig. 1. Furthermore, the walkway **10** includes an alternating sequence of floating elements **60A**, **60B** that have segments at each end and which can rotate about a vertical axis **70** and a cross-horizontal axis **80**, respectively, as shown. The bridge elements **50** are prevented from rotating about their longitudinal axis **90**. A first end **100** of the walkway **10** is connected to a land fastening point **110** and comprises a safety fence/safety banister **120** and a hydraulic installation **130** for a winch and a yardarm, for example, to supply the walkway **10** with high pressure hydraulic fluid to a hydraulic motor. Fig. 1 shows also, at least, one bollard **140** to fasten the, at least, one or more hawsers **40** from the ship **30** and to pull in the hawsers **40** and thereby to hold the ship **30** in place in relation to land **20**. Furthermore, a fender **150** is included for the parking of the walkway **10** when it is folded together.

[0027] From a folded state of the walkway **10** as shown in Fig. 4, the walkway **10** can be partially unfolded as shown in Fig. 2. Here, one can clearly see the bridge elements **50**, the floating elements **60A**, **60B** and the corresponding segments. Winch lines

180 are included and connected to the ends of the bridge elements **50** to be used when the walkway **10** shall be pulled back into a parked state as shown in Fig. 1. An outer floating element **60Z** is advantageously pulled out to the ship **30** with help from a support boat (not shown). The boat can also be used advantageously to pull the hawsers **40** to land **20** and thereafter up onto the land if this is required. Alternatively, the floating element **60Z** is fitted with propellers or water jet installations to pull out and manoeuvre the walkway **10** to the ship and back ashore.

[0028] Fig. 3 shows the walkway **10** fastened to the side of the ship **30** in an operative state, marked with winches **200**, winch lines **180**, hawsers to fasten the walkway **10** to the side of the ship **30**, and also a walkway **210** between the ship **30** and the walkway **10**. It is an advantage that the walkway **10** is coupled in use, not unfolded to its fullest extent, to the ship **30** so that the walkway **10** is adapted to accommodate movements of the ship **30** relative to the coast **20**, namely that a movement safety margin is included to avoid that the walkway **10** becomes damaged.

[0029] Fig. 4 shows one of the floating elements **60A** with a rotary segment **300** in perspective with details. As mentioned, the rotary segment **300** is set up to rotate about the vertical axis **70**. Also shown are cribs for fastening of the bridge elements **50**. Furthermore, tension wires **310** are shown to clamp the bridge elements **50** securely between the floating elements **60A**, **60B**. Rubber cushions **320** are included to provide more flexibility to the movements. Furthermore, a railing **330** is included to define the walkway **10** for pedestrians when the walkway is used. The walkway **10** comprises securing points for a winch and mounting base for the segment mechanism.

[0030] Figure 5A shows a section of the floating element **50** in Fig. 4 with a rotary segment. Shown in the section is the floating element **60A**, a crib **350** for fastening of the bridge element **50**, a horizontal segment for rotating about the vertical axis **70**, the tension wires **310** to clamp the bridge element **50** between the floating elements **60A**, **60B** and also the rubber cushions **320**. Fig. 5B shows an enlarged section of a rotary segment with details. Fig. 6 shows a section of a floating element **50** of the walkway **10** and corresponding details. The bridge element **50** is coupled to a floating element **60B** with the help of a crib for fastening of the bridge element **50**. Also included are rubber cushions, railings and mounting base for the segments.

[0031] Figures 7A - 7C shows the operating principle for the walkway **10** with regard to the rotary movement. Alternatively, the bridge elements **50** are fastened to floating elements **60C** via segments that can rotate both horizontally and vertically, but prevent the bridge elements **50** from rotating about their longitudinal axes **90** as shown in Fig. 7B.

[0032] As mentioned, at the transition between the bridge elements **50** and the segments, a walkway and railing are arranged to avoid damages from pinching. Safety is thereby increased. The walkway **10** can possibly be fitted with at least one of: Special railings, ceiling, light arrangement, sound arrangement, seats, or different types of conveyor belts to transport people and/or goods.

[0033] The concept of the flexible walkway **10** is a reasonable and environmentally friendly alternative to the standard, well-known and costly cruise ship piers. Furthermore, the concept removes the need for use of tender vessels to transport people between the ship and the shore. The walkway **10** has the considerable advantage that it requires minimal installation costs and minimal environmental interference of the shore zone **20**.

[0034] When the walkway **10** is not in use, it will lie parked, namely folded up, by the shore side, namely along the shoreline **20** as shown in Fig. 1, for example, and can be used for other activities, such as, for example, a part of the strand promenade, a fishing spot, a mooring point for boats and the like. When it is in use, the safety railing with a guard will limit access with regard to regulations for harbours with ships from abroad. The walkway **10** can advantageously have a free length as one can then build out the bridge elements **50** according to need, namely updating later during use after the original installation.

[0035] A method to use the walkway **10** will now be described. When the walkway **10** is used, the ship **30** is placed with the stern towards the shore and fastened with the hawsers **40** to land and hawsers to an anchor or buoy for fastening of the bow. The ship **30** preferably keeps its engines running and is ready to be able to manoeuvre with the propellers, or to leave the harbour quickly, for example, in 15 minutes. Such quick implementation and retraction of a walkway is not previously known.

[0036] When the ship **30** is securely moored by the shore **20**, the support boat pulls out a pulling out line from the walkway **10** to a hatch or the like in the side of the ship **30**. A winch on an end pontoon, namely the floating element **60Z**, pulls the walkway **10**, namely the pier, out to the hatch and hawsers, alternatively magnet and/or vacuum, fastens the end pontoon to the side of the ship **30**. Alternatively, the support boat or the ship **30** itself can pull the end pontoon in place at the side of the ship **30**. The ship **30** preferably uses its own walkway between the hatch at the side of the ship **30** and the end pontoon, namely the floating element **60Z**.

[0037] The walkway **10** is advantageously designed to withstand a weight concentration in the form of a downward oriented pressure of at least 400 kg/m² and, in addition to people, it shall be able to withstand vehicles, for example, vehicles for the disabled and/or small vehicles to deliver consumer goods to the ship **30**. Furthermore, the walkway **10** is made sufficiently robust to withstand current in the sea of a speed of 0.75 meter/second and wind up to a strong breeze with a wave height up to 1.5 metres. When the walkway **10** is fastened to the ship **30** a winch is preferably used with an anchor line that regulates the distance from the ship **30** automatically. As an alternative to a winch, an anchor line with a weight can be used to control the walkway **10**.

[0038] To pull the walkway **10** into a parked state as shown in Fig. 1, a separate winch can be advantageously used, namely the winch on the ship **30** is not used.

[0039] Modifications of the embodiment examples of the invention described in the above are possible without deviation from the extent of the invention defined by the subsequent claim.

[0040] Expressions such as "included", "comprising", "incorporate", "consisting of", "have", "are", which are used to describe the present invention, are meant to be interpreted in a non-exclusive way, namely such that for elements, components or elements that are not explicitly described also to be present. References to singular are also interpreted to deal with plural.

[0041] Numbers included in brackets in the claims in the accompanying documents are meant to help the comprehension of the claims and ought not to be interpreted in any way to limit the field covered by these statements.

Alternative application areas:

[0042] The walkway construction can be used for tasks other than transferring people and goods between land and a ship.

[0043] One can also visualize that the walkway is used as a bridge across a strait or a river between two land areas or two islands, where the construction is in a parked state on the one land bank with the necessary land installation. When it is taken into use it is pulled across the strait and secured to the land bank on the other side and prepared for traffic. This is very relevant when traffic by larger ships shall pass through the strait. Then, the walkway is moved to a parked position, the ship passes through the strait and the walkway can be set out again to form the connection between the two land areas for the passage of people and goods. It can also be used as a drive way where both cars and lorries can drive on the bridge, thus it must then be constructed to withstand such transport.

REFERENCES CITED IN THE DESCRIPTION

This list of references cited by the applicant is for the reader's convenience only. It does not form part of the European patent document. Even though great care has been taken in compiling the references, errors or omissions cannot be excluded and the EPO disclaims all liability in this regard.

Patent documents cited in the description

- [GB353257A \[0004\]](#)
- [GB2043567A \[0006\]](#)
- [WO9914439A \[0006\]](#)
- [US4169296A \[0006\]](#)

P A T E N T K R A V

1. Fleksibel flydende gangsti (10) til at overføre mennesker og/eller varer mellem installationer til havs, såsom skibe og land, **kendetegnet ved, at** den flydende gangsti (10) omfatter broelementer (50), der er forbundet mellem flydende elementer (60A, 60B; 60C), der er forsynet med horisontale og vertikale segmenter, **ved, at** de flydende elementer (60A, 60B) er af den alternerende type, og hvor en første type flydende elementer (60A) har segmenter, der roterer under brug i forhold til en vertikal akse (70), og en anden type flydende elementer (60B) har segmenter, der roterer under brug i forhold til en horisontal akse (80), således at de flydende elementer kan trækkes ud i brug for at koble installationerne (20, 30) sammen og foldes sammen, når gangstien (10) ikke er i brug.
5

2. Fleksibel flydende gangsti (10) ifølge krav 1, **kendetegnet ved, at** broelementerne (50) er udformet til sammen med de flydende elementer (60A, 60B) at blive foldet ud og foldet i en zigzag-, koncertinaagtig formation.
15

3. Fleksibel flydende gangsti (10) ifølge krav 1 eller 2, **kendetegnet ved, at** broelementerne (50) er koblet til de flydende elementer (60a, 60B) på en måde, som forhindrer rotation af broelementerne (50) omkring deres langsgående akser (90).
20

4. Fleksibel flydende gangsti (10) ifølge et af de foregående krav, **kendetegnet ved, at** gangstien (10) indbefatter tilbehør (180) til at trække gangstien (10) ud fra en første installation (20) og hen til en anden installation (30) og til at folde gangstien (10) den anden vej.
25

5. Fleksibel flydende gangsti (10) ifølge et af de foregående krav, **kendetegnet ved, at** gangstien (10) justeres under brug for at modtage adskillige broelementer (50) eller have broelementer (50) fjernet fra den for at justere længden af gangstien efter behov.
30

6. Flexibel flydende gangsti (10) ifølge et af de foregående krav, **kendetegnet ved, at** et flydende endeelement (60Z) af gangstien (10) justeres til at blive koblet til en side af en flydende installation, såsom et skib (30), for at give adgang for mennesker og/eller varer til/fra installationen/skibet (30).

5

7. Flexibel flydende gangsti (10) ifølge et af de foregående krav, **kendetegnet ved, at** det ydre flydende element (60Z) omfatter fremdriftslegemer i form af propeller eller et vandstråleapparat til at udtrække og manøvrere gangstien (10) hen til skibet og tilbage til land igen.

10

8. Fremgangsmåde til kobling af en flexibel flydende gangsti (10) ifølge krav 1 til et skib (30) **kendetegnet ved, at** fremgangsmåden omfatter:

a) at skibet (30) er fastgjort i forhold til land (20) med en afstand af vand mellem skibet (30) og land (20);

15

b) at gangstien (10) trækkes ud fra en foldet tilstand fra land (20) på en zigzag måde til skibet (30) for derefter at koble en ende af et flydende element (60Z) af gangstien (10) til en side eller ende af skibet (30).

20

9. Fremgangsmåde til frakobling af en flexibel gangsti (10) ifølge krav 1 fra et skib (30), **kendetegnet ved, at** fremgangsmåden omfatter:

a) at frakoble et flydende endeelement (60Z) af gangstien (10) fra skibet (30); og

25

b) at folde gangstien (10) på en zigzag måde fra skibet (30) til en foldet tilstand parkeret nær land (20).

10. Fremgangsmåde til dannelse af en flexibel gangsti (10) ifølge krav 1, **kendetegnet ved, at** fremgangsmåden omfatter:

30

- a) at koble, via roterende segmenter, broelementer (50) ind mellem flydende elementer (60A, 60B, 60C) for at danne en zigzag formation af broelementer (50), der danner gangstien (10); og
- b) at koble en ende af formationen til land (20).

5

11. Anvendelse af en fleksibel gangsti ifølge de foregående krav 1-7 til dannelse af en forbindelse mellem land og et forankret skib eller over et stræde mellem to landområder, over en flod mellem to landområder eller mellem to flydende installationer, såsom skibe, hvor gangstien er i parkeret position på den ene landbred, og den tages i brug ved at blive trukket over strædet/floden og sikret til bredden på den anden side af strædet/floden.

10

12. Anvendelse af en fleksibel gangsti ifølge de foregående krav 1-7 som en transportkørebane til mennesker, varer og køretøjer.

15

DRAWINGS

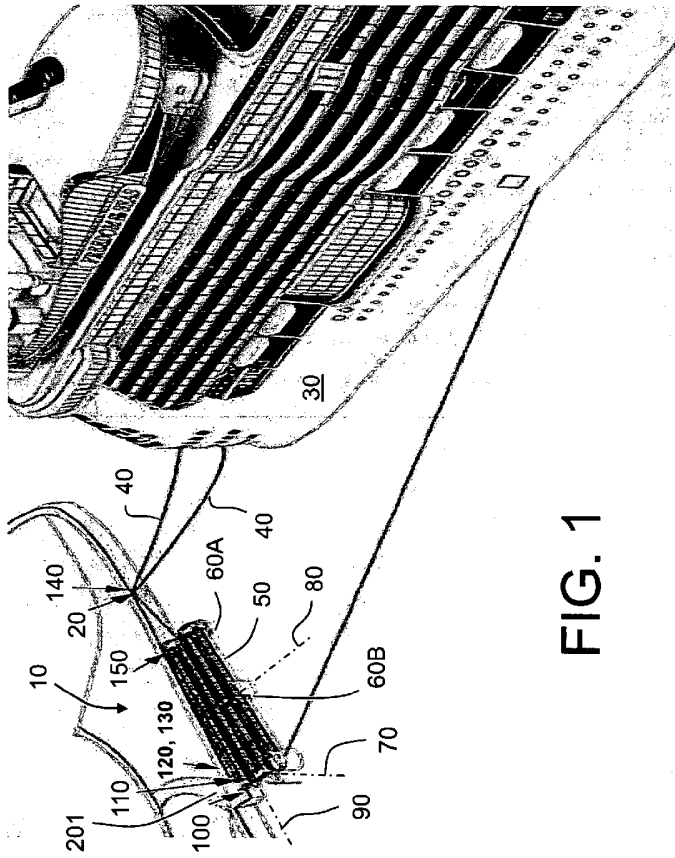


FIG. 1

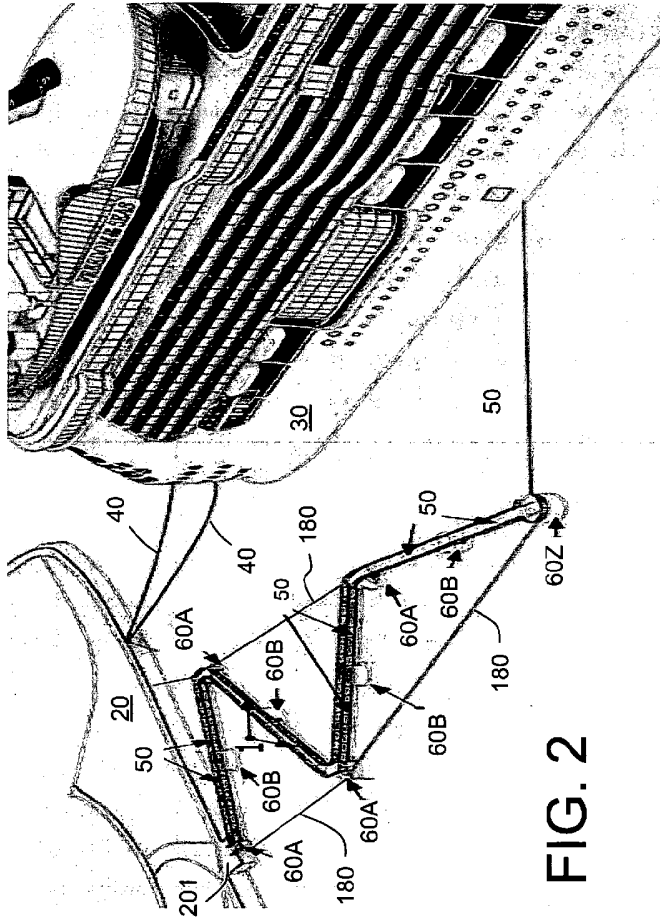


FIG. 2

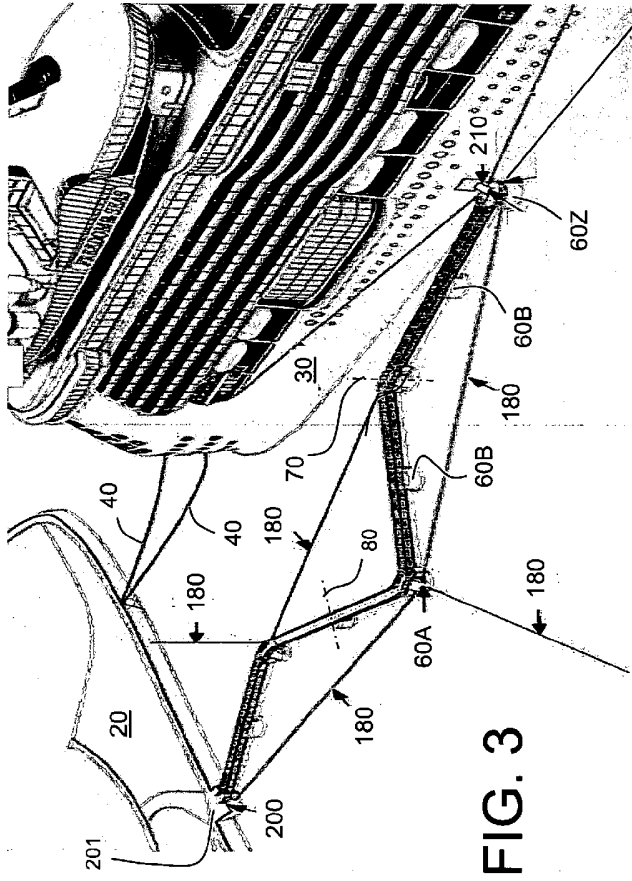


FIG. 3

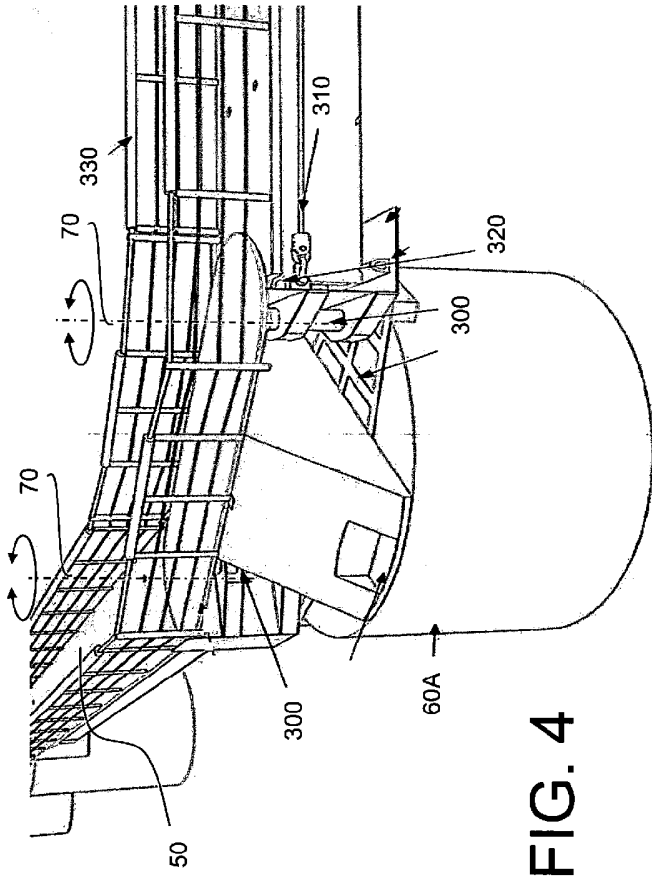


FIG. 4

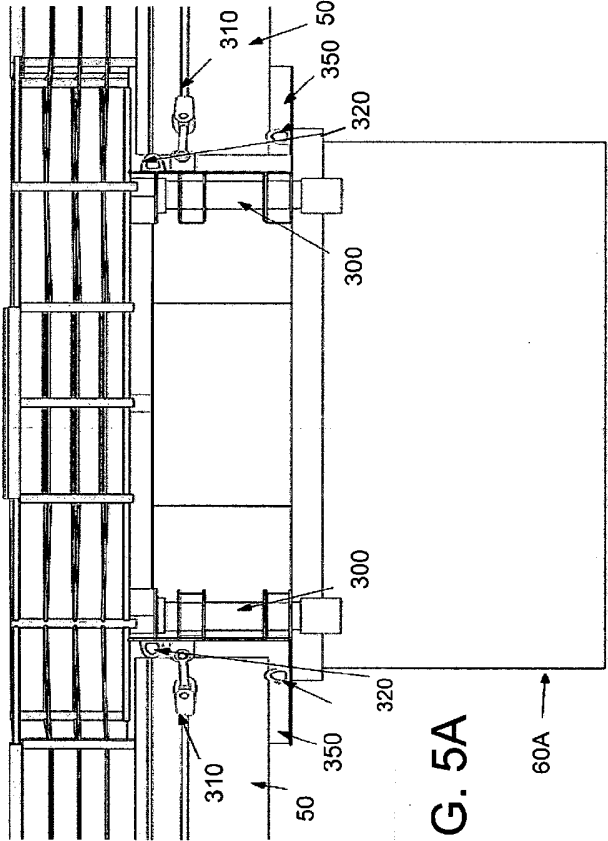
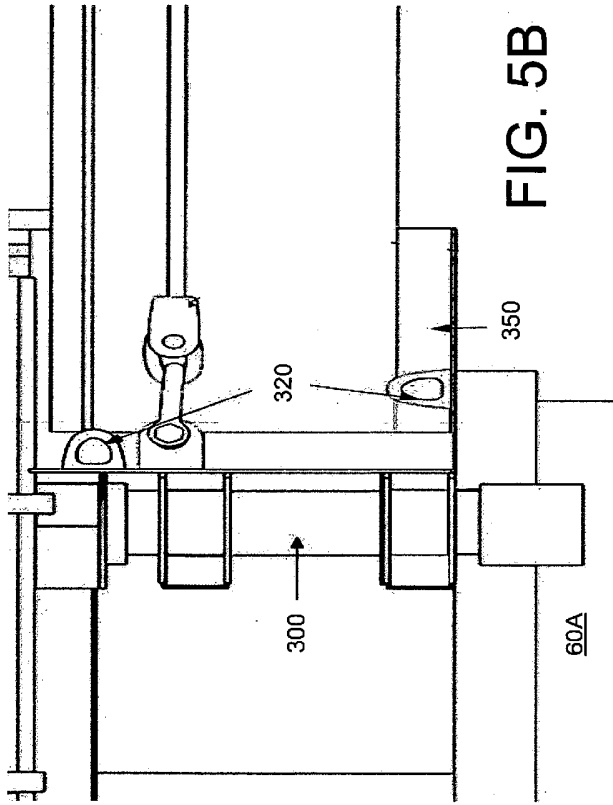


FIG. 5A



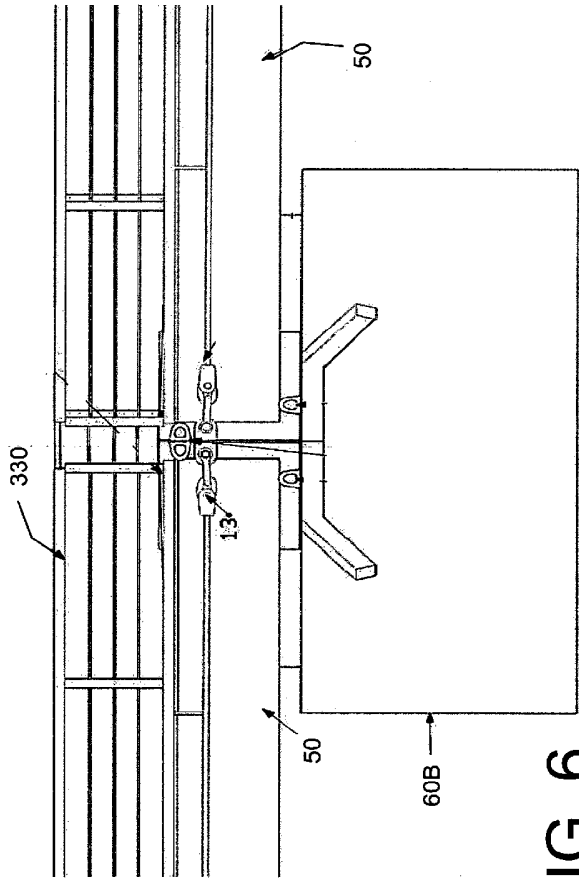


FIG. 6

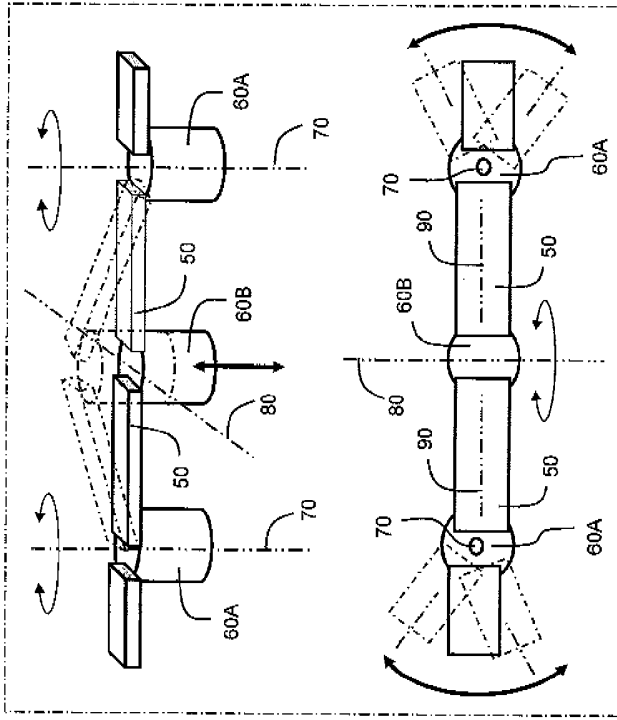


FIG. 7A

FIG. 7B

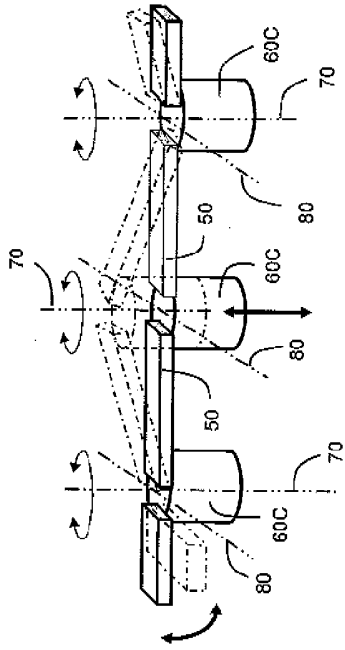


FIG. 7C