

219,582

PALLET

Glen E. Stout, Jr., 2320 W. La Habra Blvd.,
La Habra, Calif. 90631

Filed Feb. 24, 1970, Ser. No. 21,588

Term of patent 14 years

Int. Cl. D12—99

U.S. Cl. D14—3

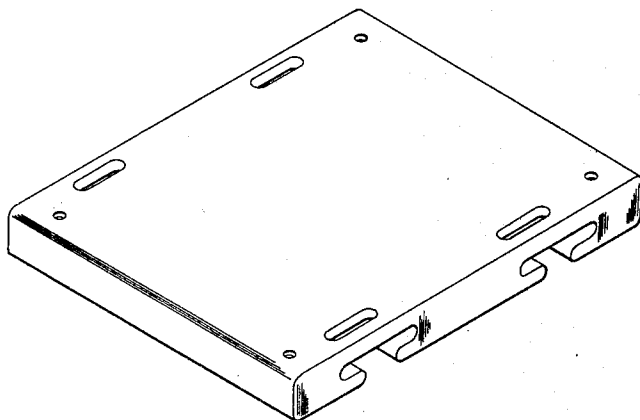


FIG. 1

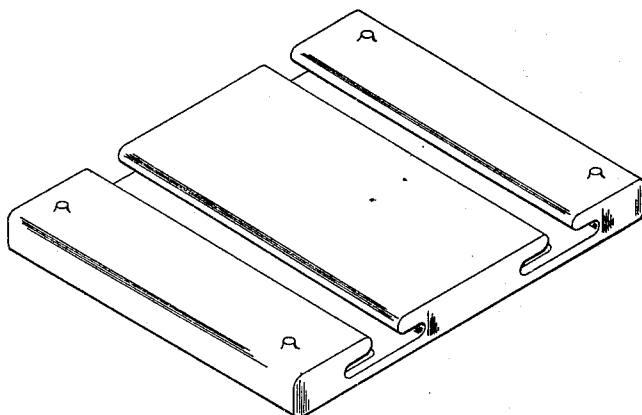


FIG 2

FIG. 1 is a perspective view from the top of a pallet showing the top side, one end and one side of my new design; and

FIG. 2 is a perspective view from the under side showing the bottom, end and other side thereof. The end not shown is the same as the end shown in both views.

I claim:

The ornamental design for a pallet, as shown and described.

References Cited

UNITED STATES PATENTS

D. 184,821	4/1959	Liskey, Jr.	D13—1
3,093,216	6/1963	Dunham	108—51UX
3,509,832	5/1970	Daisley, Jr.	108—51

FOREIGN PATENTS

569,370	11/1957	Italy	108—51UX
---------	---------	-------------	----------

J. PAUL GUERTIN, Primary Examiner