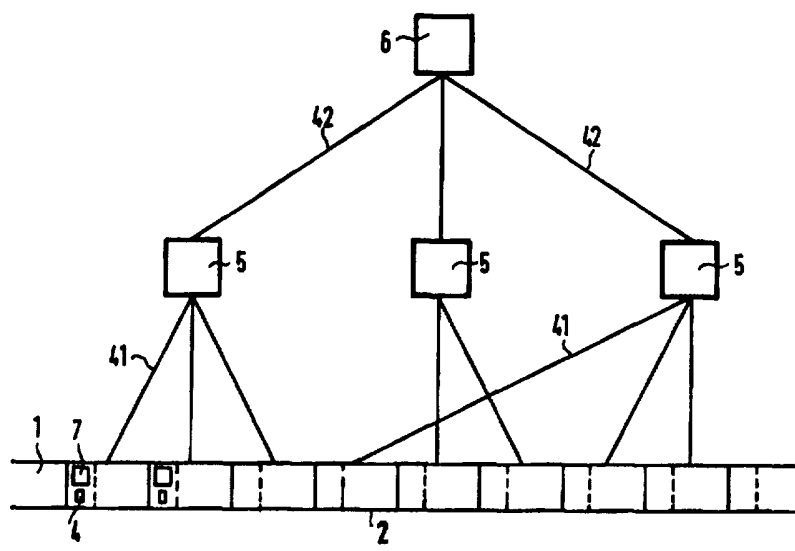




INTERNATIONAL APPLICATION PUBLISHED UNDER THE PATENT COOPERATION TREATY (PCT)

<p>(51) International Patent Classification ⁶ : G11B 20/12, 20/10, 27/10, 27/30, H04H 1/00</p>	<p>A1</p>	<p>(11) International Publication Number: WO 96/16406 (43) International Publication Date: 30 May 1996 (30.05.96)</p>
<p>(21) International Application Number: PCT/IB95/00978 (22) International Filing Date: 8 November 1995 (08.11.95) (30) Priority Data: 9401045 18 November 1994 (18.11.94) BE (71) Applicant: PHILIPS ELECTRONICS N.V. [NL/NL]; Groenewoudseweg 1, NL-5621 BA Eindhoven (NL). (71) Applicant (for SE only): PHILIPS NORDEN AB [SE/SE]; Kottbygatan 5, Kista, S-164 85 Stockholm (SE). (72) Inventor: MONS, Johannes, Jan; Groenewoudseweg 1, NL-5621 BA Eindhoven (NL). (74) Agent: FAESSEN, Louis, Marie, Hubertus; Internationaal Octrooibureau B.V., P.O. Box 220, NL-5600 AE Eindhoven (NL).</p>		<p>(81) Designated States: AU, BR, CA, CN, JP, KR, MX, SG, European patent (AT, BE, CH, DE, DK, ES, FR, GB, GR, IE, IT, LU, MC, NL, PT, SE). Published <i>With international search report. Before the expiration of the time limit for amending the claims and to be republished in the event of the receipt of amendments.</i></p>

(54) Title: INFORMATION TRANSFER METHOD, INFORMATION CARRIER, ARRANGEMENT FOR TRANSMITTING AND ARRANGEMENT FOR RECEIVING INFORMATION



(57) Abstract
Information of a specific application, such as, CD-ROM or CD-DA is organized according to a specific information structure and also contains application data related thereto. There is disclosed a method of transferring information organized according to one or more information structures with an information signal (1) subdivided into blocks (2). The header (12) of each block contains an application code (4) and application data (7), while the structure of the application data depends on the application code. According to a layered hierarchical structure (41, 42) the blocks are organized in groups having a group application code (5) and the groups are organized in a volume having a volume application code (6). The invention makes it possible to know the information structure at any moment. Furthermore, an information carrier is described on which such an information signal is recorded. Also an arrangement for receiving and an arrangement for transmitting such information signals are described.

FOR THE PURPOSES OF INFORMATION ONLY

Codes used to identify States party to the PCT on the front pages of pamphlets publishing international applications under the PCT.

AT	Austria	GB	United Kingdom	MR	Mauritania
AU	Australia	GE	Georgia	MW	Malawi
BB	Barbados	GN	Guinea	NE	Niger
BE	Belgium	GR	Greece	NL	Netherlands
BF	Burkina Faso	HU	Hungary	NO	Norway
BG	Bulgaria	IE	Ireland	NZ	New Zealand
BJ	Benin	IT	Italy	PL	Poland
BR	Brazil	JP	Japan	PT	Portugal
BY	Belarus	KE	Kenya	RO	Romania
CA	Canada	KG	Kyrgystan	RU	Russian Federation
CF	Central African Republic	KP	Democratic People's Republic of Korea	SD	Sudan
CG	Congo	KR	Republic of Korea	SE	Sweden
CH	Switzerland	KZ	Kazakhstan	SI	Slovenia
CI	Côte d'Ivoire	LI	Liechtenstein	SK	Slovakia
CM	Cameroon	LK	Sri Lanka	SN	Senegal
CN	China	LU	Luxembourg	TD	Chad
CS	Czechoslovakia	LV	Latvia	TG	Togo
CZ	Czech Republic	MC	Monaco	TJ	Tajikistan
DE	Germany	MD	Republic of Moldova	TT	Trinidad and Tobago
DK	Denmark	MG	Madagascar	UA	Ukraine
ES	Spain	ML	Mali	US	United States of America
FI	Finland	MN	Mongolia	UZ	Uzbekistan
FR	France			VN	Viet Nam
GA	Gabon				

Information transfer method, information carrier, arrangement for transmitting and arrangement for receiving information.

The invention relates to a method of transferring information by an information signal that represents the information organized in one or more information structures, in which the information signal is subdivided into blocks and in which the information signal contains application data relating to the information.

5 The invention further relates to an information carrier on which an information signal is recorded that represents information organized in one or more information structures, in which the information signal is subdivided into blocks and the information signal contains application data relating to the information.

The invention further relates to an arrangement for transmitting and an
10 arrangement for receiving information, both to be used in the method.

Such a method and information carrier are used in the known CD-ROM system which is described in detail in Standard ECMA-130, Data Interchange on Read-Only
15 120 mm Optical Data Disks. In the known method the information signal representing information i.e. audio information or digital data, is recorded on the known information carrier, the Compact Disc. An apparatus reads the information signal from the information carrier and recovers the information for a destination. When digital data are transferred, the information signal is subdivided into blocks. In addition to the information, so-defined
20 application data can be transferred by sub-code channels on the CD-ROM. These application data contain information relating to the audio information or digital data, such as a subdivision into tracks, play time or catalogue number.

A condition of the known method is that for the information processing the information structure is to be known at the destination end. It is impossible to determine
25 the information structure of the transferred information in a simple manner. In addition, the sub-code channels are less suitable for transferring application data due to the different signal processing.

It is an object of the invention, for example, to provide means by which information and application data can be transferred to a destination without the need to know the information structure in advance.

According to a first aspect of the invention a method of the type defined in the opening paragraph is characterized in that the application data are contained in the blocks and in that each block contains an application code that is indicative of the information structure, while the structure of the application data depends on the application code.

The invention is advantageous in that the information structure of each block is known without the need to analyze at another instant information from blocks that have a different information structure and without the need to store the result in a memory.

There should be observed that the control field of the CD-ROM subcode q-channel carries application data relating to the audio mode, such as the number of channels and pre-emphasis or no pre-emphasis. A certain value then indicates that digital data are present. This value is thus to be adhered to in the case of CD-ROM (ECMA-130, par 22.3.1), but in fact only indicates that there is no audio information present and that there is a transparent digital transfer channel. For the case of CD-ROM, this channel is used in known fashion in that the information signal is subdivided into blocks. Each block contains a mode indicator which indicates either of the two possible error correction systems, or an empty block. Such a mode indicator is not considered an application code, because this mode indicator does not relate at all to the information structure of the transferred information, but only concerns the parameters of the information transfer channel. A destination does not have the disposal of this mode indicator and thus cannot derive anything about the information structure from this mode indicator.

The invention is furthermore advantageous in that the application data become available simultaneously with the information they relate to.

The invention has a further advantage in that the information density during information transfer may be high, because the manner in which the symbols represent the information can be chosen with minimum redundancy for each information structure.

The invention has an additional advantage in that the information density of the application data may be high, because the manner in which the symbols represent the application data can be chosen with minimum redundancy for each information structure.

Furthermore, the invention is advantageous in that it is possible to transfer information having different information structures to different destinations, or in that a destination can select the information intended for that destination from the supplied information flow.

5 Furthermore, the invention is advantageous in that, if blocks have gone lost during the information transfer, the information structure of each block is known immediately after the information transfer has been resumed.

A further advantage of the invention is that, without any modifications of the arrangement, the method will be suitable for transferring information that has new
10 information structures which have not yet been established so far. It is well-nigh impossible to design a universal information structure that comprises all the desired applications known at a certain moment and which, additionally, is suitable for extension for future applications. A method or information carrier, for which information is contained in a stream of universal, for example, digital, symbols, cannot be arranged for such a universal information structure.
15 However, such a method or information carrier can be universal indeed, if the information structure can be distinctly recognized from a block itself, which block is the smallest meaningful set of symbols. The information of a new information structure can then be transferred alternately with the information structures already determined previously.

An embodiment for the method in which the information structure
20 comprises one or more sub-structures is characterized in that the sub-structure in each block depends on the application data. This embodiment is advantageous in that the information density is very high, because the manner in which the symbols represent the information can be chosen with minimum redundancy for each sub-structure of an information structure. At the point of destination the information processing can then be simply tuned to that particular
25 sub-structure.

A further embodiment for the method, in which the information signal is subdivided into groups and a group contains a plurality of blocks, is characterized in that the group contains a group application code that relates to all the blocks of that particular group. This embodiment is advantageous in that an arrangement knows from the group application
30 code the information structure for a period of time and need not analyze the application code of each block.

A further embodiment for the method is characterized in that the group application code is equal to the application code of each of the blocks in that particular group and has a predetermined value if the blocks in the group have different application codes.

This embodiment is advantageous in that an arrangement can derive from the group application code whether the application code in the blocks under consideration will vary.

5 A further embodiment for the method, in which the information signal is subdivided into volumes and a volume comprises a plurality of groups, is characterized in that the volume has a volume application code that relates to all the groups of that particular volume. This embodiment is advantageous in that an arrangement can derive from the volume application code the information structure for a period of time and need not analyze the application code of each group.

10 A further embodiment for the method is characterized in that the volume application code is equal to the group application code of each of the groups in that particular volume and has a predetermined value if the groups in the volume have different group application codes. This embodiment is advantageous in that an arrangement can derive from the volume application code whether the group application code in the groups under consideration will vary.

15 According to a second aspect of the invention an information carrier of the type defined in the opening paragraphs is characterized in that the application data are included in the blocks and in that each block contains an application code indicating the information structure, while the structure of the application data depends on the application code. This embodiment of the invention is advantageous, for example, in that for each block
20 the information structure and the application data with their structure are known forthwith when an apparatus starts reading the information carrier at an arbitrary point, such as after a fast-forward operation of a tape-like information carrier.

According to a third aspect of the invention an arrangement comprising means for receiving the information signal defined in the opening paragraphs, means for
25 processing the information and means for processing the application data is characterized in that the arrangement comprises means for recovering the application data from each block, means for detecting the application code, means for adapting the information processing means in dependence on the detected application code, and means for adapting the application data processing means in dependence on the detected application code. This
30 embodiment is advantageous in that the information having different information structures can be received and processed without the necessity of transferring control information to the arrangement by a separate channel or by the user.

A further embodiment for the information receiving arrangement is characterized in that the arrangement comprises adapting means for adapting the information

processing means in dependence on the application data.

A further embodiment for the information receiving arrangement is characterized in that the arrangement comprises detecting means for detecting the group application code and adapting means for adapting the application code detecting means, so that the application code is replaced by the group application code, unless a group application code has a predetermined value. This embodiment is advantageous, for example, in that if the arrangement is unsuitable for changing the information structure after each block, the application code detecting means are allowed to operate at a lower rate.

A further embodiment for the information receiving arrangement is characterized in that the arrangement comprises detecting means for detecting the volume application code and adapting means for adapting the group application code detecting means, so that the group application code is replaced by the volume application code, unless the volume application code has a predetermined value. This embodiment is advantageous, for example, in that if the arrangement is unsuitable for processing specific information structures, a volume having such an information structure can be refused forthwith.

A further embodiment for the information receiving arrangement is characterized in that the arrangement comprises reading means for reading the information signal from an information carrier on which the information signal is recorded.

According to a fourth aspect of the invention an arrangement for transmitting the information signal defined in the opening paragraphs is characterized in that the arrangement comprises means for generating the application code and means for determining the structure of the application data, both operations to be carried out in dependence on the information structure of the information.

A further embodiment for the information transmitting arrangement in which the information structure has one or more sub-structures is characterized in that the arrangement comprises means for generating application data in dependence on the sub-structure of the information.

A further embodiment for the information transmitting arrangement is characterized in that the arrangement comprises means for generating the group application code which code relates to all the blocks of a particular group, the group application code being equal to the application code of each of the blocks in that particular group and having a predetermined value if the blocks in the group have different application codes.

A further embodiment for the information transmitting arrangement is characterized in that the arrangement comprises means for generating a volume application

code which code relates to all the groups of a particular volume, the volume application code being equal to the group application code of each of the groups in that particular volume and having a predetermined value if the groups in the volume have different group application codes.

5 A further embodiment for the information transmitting arrangement is characterized in that the arrangement comprises recording means for recording the information signal on said information carrier.

10 The invention will be further explained with reference to the Figs. 1 to 12 in which:

Fig. 1 shows an information signal subdivided into blocks;

Fig. 2 shows an information transfer system;

Fig. 3 shows an information carrier;

15 Fig. 4 shows a layered structure for application codes;

Fig. 5 shows a subdivision of a block with a header;

Fig. 6 shows a header of a block containing an application code and application data;

Fig. 7 shows a Table of Contents for an information carrier;

20 Fig. 8 shows a disc identification Table with volume application code;

Fig. 9 shows a track identification Table with track application code;

Fig. 10 shows an arrangement for receiving information with an information carrier;

25 Fig. 11 shows an arrangement for transmitting information *via* a radio signal; and

Fig. 12 shows an arrangement for transmitting information *via* a master information carrier.

30 Fig. 1 diagrammatically shows an information signal subdivided into blocks 2. The information is contained in a symbol information flow 1 which is represented in customary fashion by a physical information signal, for example, by electrical or optical signal values. A plurality of symbols collectively represent a meaningful amount of information and are called a block 2. In the information flow 1 there are also special

synchronization (sync) patterns 11 present which indicate the headings of the blocks. An amount of information, the so-called header 12, further identifying a block, is affixed to each block. Fig. 5 gives a more detailed representation of such a block with header. The symbols in a block represent information of a specific type such as, audio, video or computer software, or combinations of various types. The manner in which the symbols represent these different types of information is different, but, needless to observe this manner should always be known upon the recovery of information from the information signal. This manner of representation is called the information structure. Examples of such information structures are CD-DA (CD Digital Audio) or the CDI which is described in the title "Compact Disc-Interactive, a designer's overview", published by Kluwer (ISBN 9020121219). In addition to the information represented in this manner, many applications need supporting information relating to the information, further to be referenced application data here. With audio information, for example, there is a need to indicate the playback time or the song texts. For other applications there is a need to indicate sub-structures of the information structure by means of the application data, such as, for example, for said CDI. Within the CDI information structure there are application data available which denote what type of information is concerned, such as video, audio etc. These application data also contain an indication as to the coding method used for storing the signal, for example, the frequency range for audio and the resolution and Colour Tables for video. Generally, the structure of the application data depends on the information structure and is thus always different. In that case the destination is to know the structure of the application data. In the method according to the invention these application data 7 are included in the blocks and each block receives an application code 4 which is indicative of the information structure, while the structure of the application data depends on the application code. These additions are preferably included in the header 12 of the block.

Fig. 2 shows a system for executing an information transfer according to the invention. The system comprises an arrangement 21 for transmitting information, a channel 22 for information signal transfer and an arrangement 23 for receiving information. The transmitting arrangement will assemble the information flow from information supplied by one or more sources and/or generate information itself. Then, transmitting arrangement 21 encodes the information flow 1 in a form suitable for the transmitter channel 22. The transmitter channel 22 may be of a customary type, such as a telephone link with modems, a data network or a satellite link. The transmitter channel 22 may also utilize an information carrier on which the information signal is recorded, such as a tape or disc on which the

information signal is represented in magnetic or optically readable patterns. The receiving arrangement 23 detects the information flow 1 from the information signal and processes the information according to its particular information structure, as this is known to the receiving arrangement on the basis of the application code. The application data are converted, as
5 required, according to the structure as defined by the application code. The method is obviously not restricted to said examples of signal transfer. It is pre-eminently suitable for a system for digitally coded information transfer, in which there is no possibility of communication between source and destination previous to the actual information transfer, for example, the distribution of information on a CD or the transmission of information by
10 radio waves or through a LAN to an unknown number of receivers of various types. The predetermined information structure used in such a communication is called a protocol in telecommunications. If such a protocol is impossible, the destination is to know the information structure. Due to the high information density and thus small redundancy, it is not simply possible to derive the information structure, which must always be implicitly
15 available, from the information signal. If the system is capable of transferring information of more than one information structures, it is thus highly attractive to disclose the information structure and related information, for example, the error correction method or the title of the information to be transferred, in the information signal itself. With the application code and the application data it is possible for the information structure for each block to be derived
20 from the information signal itself.

Fig. 3 shows by way of example an information carrier in the form of a disc 30 on which the information signal is recorded in a spiral, physical pattern. The disc is logically subdivided into tracks 31 which contain one or a plurality of blocks. These tracks form in this case the groups in the information flow, while the disc forms a volume. An
25 information carrier may also comprise a plurality of volumes; such an information carrier is then referenced a multi-session carrier. A Table of Contents is recorded on the disc in an area 32 intended for this purpose. This Table of Contents contains information about the carrier and the tracks; an example of such a Table is shown in Fig. 7. From the Table of Contents there is known which blocks together form a track. An attractive option is to
30 include a track application code for the entire track in this Table. The receiving arrangement then immediately knows the information structures of all the blocks from this Table, so that this structure need not be determined anew for each block. This reduces the necessary speed of the means for detecting and adapting the information structure. A predetermined code, for example, \$FF (hexadecimal numbering system) then denotes that the blocks in a track have

different application codes and that the information structure is to be determined block-by-block. The information carrier may contain, for example, information in a first format for a computer system of a first type and information of a second format for a computer system of a second type. By subdividing the information carrier into two tracks, a reading apparatus receiving an instruction from a computer system of the first or second type can simply supply to the computer system only the information of that particular information structure, without each computer system having to have a facility of distinguishing the information intended for that system from the other information. A further improvement is achieved in that the information carrier contains a volume application code. Here too a predetermined value, for example, \$FF, denotes that not all the track application codes are the same. As a result, a reading apparatus can simply determine whether all the information on this information carrier can be processed or whether a further analysis per track is necessary.

Fig. 4 shows a layered structure for application codes. Each block in the information flow 1 has an application code 4. The blocks are subdivided into groups, diagrammatically indicated by connecting lines 41. To each group is appended a group application code 5 which relates to all the blocks in the group. The groups together form a volume, as is diagrammatically shown by the lines 42. A volume application code 6 is added to the volume. Furthermore, the manner in which the information structure is determined is as described with respect to the information carrier in Fig. 3, in which, according to a hierarchical scheme, first the volume application code is detected and then the group application code, as required, and the application code of each block is detected if still necessary.

The Figs. 5 to 9 are shown in Tables in which the position and length of the items in the Table are stated in bytes. They merely serve as examples.

Fig. 5 shows the structure of a block. At the beginning of the block sync symbols 51 are positioned which indicate the start of the block. They are followed by the header 12 and then the field 52 for the information of a particular information structure. Finally, several symbols 53 are added, which make it possible to detect errors that have arisen somewhere in the block during the transfer.

Fig. 6 shows a header of a block with application code 4 and application data 7. As is customary, such a header contains an address 62 which uniquely identifies the block. In addition, this header contains a track number 63, so that it is possible to detect the track number even without consulting the Table of Contents. Alternatively, it is possible for block number 63 to include blocks of different track numbers in a random order in the

information flow 1. Since it is of the utmost importance for the processing of the information of the block that the information of the header be correct, a check code 64 of the customary CRC Cyclic Redundancy Check type is added. By such a code it is possible in a simple and highly reliable manner to check whether the information in the header contains errors.

5 Fig. 7 shows an embodiment for a Table of Contents for the disc 30. This Table of Contents contains a system identification 71 and is further subdivided into fields for different types of information concerning the information carrier. The field 72 contains a disc identification Table and is shown in detail in Fig. 8. Furthermore, fields 73 are reserved for a track identification Table of each track, whose contents are shown in Fig. 9.

10 The disc identification Table shown in Fig. 8 may include, for example, data such as the number of tracks on the disc. The disc identification Table is furthermore an eminent location for the volume application code 6.

 Fig. 9 shows a track identification Table. Such a track identification Table is repeated for each track in the Table of Contents of the disc. This track identification Table may contain, for example, data such as the address of the first and the last block in the track. A track forms in this case a group. The track identification Table is thus also a suitable location for the group application code 5.

 Fig. 10 shows an arrangement for receiving information stored on disc 30. The disc 30 is scanned by a radiation beam 80 focused at the disc by a radiation unit 81. The reflected radiation is influenced by the effects on the disc that represent the information signal. The radiation unit 81 derives the information signal from this reflected radiation. A system controller of a customary type (not shown) controls the speed of rotation of the disc and the positioning of the radiation unit 81 over the track 31. The synchronization (sync) unit 82 converts the information flow 1 from the information signal and isolates the blocks in this information flow in response to the sync patterns 11. From the sync unit 82 the blocks are transferred to the processing unit 83 and to the detecting unit 84. From the processing unit the information goes to one or more destinations through outputs 85. These destinations could be, for example, an audio system and a picture screen. The application codes are detected in the detecting unit 84 and are used for setting the processing unit for processing the information according to a particular information structure. If the information structure is, for example, the CDI structure, the processing unit 83 is first to derive the application data from each block, because these application data denote what sub-structure the information in the block has, such as, for example, an audio signal encoded according to a specific compression algorithm. Besides, the detecting unit 84 may also comprise means for

detecting the track application code and the volume application code. The detecting unit may utilize the track application code and the volume application code to provide a once-only setting of the processing unit for a longer period of time, as has also been described with reference to Fig. 3. The detecting unit may also pass on the track application code and
5 volume application code to the system controller and this system controller may then skip that particular track or refuse the entire information carrier if an arrangement is incapable of processing that particular information structure, or if the user has instructed the system controller to read a specific type of information from the information carrier. There may also be various processing units (not shown) in which the blocks are transferred to the correct
10 processing unit in response to the application codes.

Fig. 11 shows an arrangement for transmitting information. Information from one or more sources 91, such as a microphone, or graphical computer data, is encoded into the desired information structure and subdivided into blocks by a processing unit 92. A generator 93 determines the application code, the group application code and the volume
15 application code in response to the information structure. The system controller (not shown) is instructed by a user to make a subdivision of information into groups and volumes, and this subdivision is passed on to the generator 93. The information flow is converted into an information signal by sync unit 94 and provided with the sync patterns 11. The transmitter unit 95 amplifies the information signal, for example, modulates same on an information
20 carrier and, via antenna 96, transmits the information signal to one or more receivers. The arrangement shown may be, for example, a radio transmitter station in which traffic information which has a second information structure is co-transmitted with the musical signal which has a first information structure. A group may then be used to describe a district and a volume to describe a country. A third information structure could then, for
25 example, be the co-transmission of the song texts, so that they may be shown on a receiver. A group may then be a track and a volume may then a program. For such a layout it is desirable also to include the group number in the header of each clock, because in that case the blocks having different information structures can be transmitted alternately. For example, the audio information is to be converted into an uninterrupted flow at the
30 destination, and is thus of a so-defined real-time nature. If the other blocks caused large interruptions in the audio information flow, this would necessitate large memories in the receiving arrangement and result in an additional delay between transmission and reception.

Fig. 12 shows an arrangement for transmitting information, in which the information is distributed on information carriers. First a master information carrier is made

with the arrangement shown. From this master information carrier a multiplicity of information carriers is then made by a customary process with moulds and presses (not shown). In this arrangement a processing unit 92 encodes the information from one or more sources 91, such as a video camera, or a computer program and application data such as

5 subtitling into the desired information structure and subdivides this information into blocks. The distribution of information over the tracks is determined, for example, by an editor and passed on to the generator 93. The generator 93 determines the application code, the track application code and the volume application code as a function of the information structure, and stores the structure of the application data in sync unit 94. The information flow is

10 converted into an information signal by sync unit 94 and provided with the sync patterns 11. Channel coding unit 100 encodes the information signal in a manner suitable for the disc-like information carrier and transfers the information signal to the radiation unit 101. Radiation unit 101 introduces effects on the master information carrier 103 by radiation beam 102. A system controller of a customary type (not shown) provides the control of the speed of

15 rotation of the disc and the positioning of the radiation unit 101 over the track 31.

The embodiments for the arrangements are not restricted to the examples of Figs. 10, 11 and 12 and may comprise any arrangement for receiving and/or transmitting information, in which an application code and application data, as required, are included in the information flow in the manner described in the method.

Claims:

1. Method of transferring information by an information signal that represents the information organized in one or more information structures, in which the information signal is subdivided into blocks and in which the information signal contains application data relating to the information, characterized in that the application data are
5 contained in the blocks and in that each block contains an application code that is indicative of the information structure, while the structure of the application data depends on the application code.
2. Method as claimed in Claim 1, in which the information structure comprises one or more sub-structures, characterized in that the sub-structure in each block
10 depends on the application data.
3. Method as claimed in Claim 1 or 2, in which the information signal is subdivided into groups and a group comprises a plurality of blocks, characterized in that the group contains a group application code that relates to all the blocks of that particular group.
4. Method as claimed in Claim 3, characterized in that the group application
15 code is equal to the application code of each of the blocks in that particular group and has a predetermined value if the blocks in the group have different application codes.
5. Method as claimed in Claim 3 or 4, in which the information signal is subdivided into volumes and a volume comprises a plurality of groups, characterized in that the volume has a volume application code that relates to all the groups of that particular
20 volume.
6. Method as claimed in Claim 5, characterized in that the volume application code is equal to the group application code of each of the groups in that particular volume and has a predetermined value if the groups in the volume have different group application codes.
- 25 7. Information carrier on which an information signal is recorded that represents information organized in one or more information structures, in which the information signal is subdivided into blocks and the information signal contains application data relating to the information, characterized in that the application data are included in the blocks and in that each block contains an application code indicating the information

structure, while the structure of the application data depends on the application code.

8. Information carrier as claimed in Claim 7 in which the information structure comprises one or more sub-structures, characterized in that the sub-structure in each block depends on the application data.

5 9. Information carrier as claimed in Claim 7 or 8, subdivided into tracks and containing a Table of Contents and in which a track comprises a plurality of blocks, characterized in that the Table of Contents contains a track application code for each track which code relates to all the blocks of that particular track.

10. Information carrier as claimed in Claim 9, characterized in that the track application code is equal to the application code of each of the blocks in that particular track and has a predetermined value if the blocks in the track have different application codes.

11. Information carrier as claimed in Claim 9 or 10, characterized in that the information carrier contains a volume application code relating to all the tracks in at least a specific area of the information carrier.

15 12. Information carrier as claimed in Claim 11, characterized in that the volume application code is equal to the track application code of each of the tracks in that particular area of the information carrier and has a predetermined value if the tracks have different track application codes.

20 13. Arrangement for implementing the method as claimed in one of the Claims 1 to 6, the arrangement comprising means for receiving the information signal, means for processing the information and means for processing the application data, characterized in that the arrangement comprises means for recovering the application data from each block, means for detecting the application code, means for adapting the information processing means in dependence on the detected application code, and means for
25 adapting the application data processing means in dependence on the detected application code.

14. Arrangement as claimed in Claim 13, characterized in that the arrangement comprises adapting means and means for processing the information in response to the application data.

30 15. Arrangement as claimed in Claim 13 or 14, characterized in that the arrangement comprises detecting means for detecting the group application code and adapting means for adapting the application code detecting means, so that the application code is replaced by the group application code, unless a group application code has a predetermined value.

16. Arrangement as claimed in one of the Claims 13, 14 or 15, characterized in that the arrangement comprises detecting means for detecting the volume application code and adapting means for adapting the group application code detecting means, so that the group application code is replaced by the volume application code, unless the volume application code has a predetermined value.
17. Arrangement as claimed in one of the Claims 13, 14, 15 or 16, characterized in that the receiving means comprise reading means for reading the information signal from an information carrier on which the information signal is recorded.
18. Arrangement to be used in the method as claimed in one of the Claims 1 to 6, which arrangement comprises transmitting means for transmitting the information signal, characterized in that the arrangement comprises means for generating the application code and means for determining the structure of the application data, both operations to be carried out in dependence on the information structure of the information.
19. Arrangement as claimed in Claim 18, in which the information structure has one or more sub-structures, characterized in that the arrangement comprises means for generating application data in dependence on the sub-structure of the information.
20. Arrangement as claimed in Claim 18 or 19, characterized in that the arrangement comprises means for generating the group application code which code relates to all the blocks of a particular group, the group application code being equal to the application code of each of the blocks in that particular group and having a predetermined value if the blocks in the group have different application codes.
21. Arrangement as claimed in one of the Claims 18, 19 or 20, characterized in that the arrangement comprises means for generating a volume application code which code relates to all the groups of a particular volume, the volume application code being equal to the group application code of each of the groups in that particular volume and having a predetermined value if the groups in the volume have different group application codes.
22. Arrangement as claimed in one of the Claims 18, 19, 20 or 21, characterized in that the transmitting means comprise recording means for recording the information signal on an information carrier.

1/5

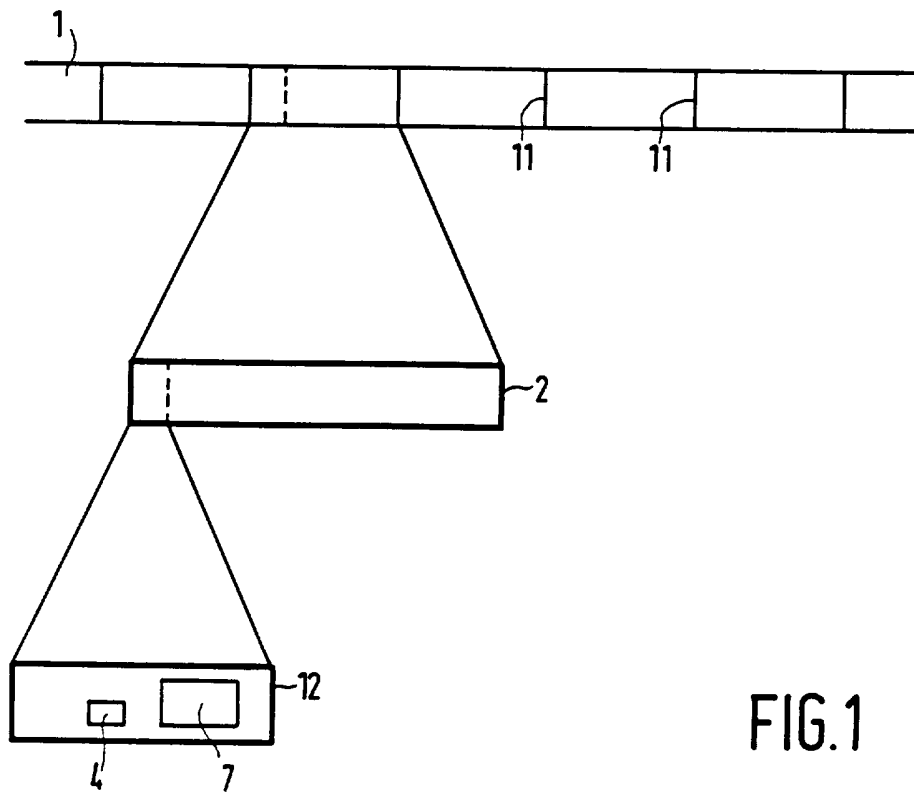


FIG. 1

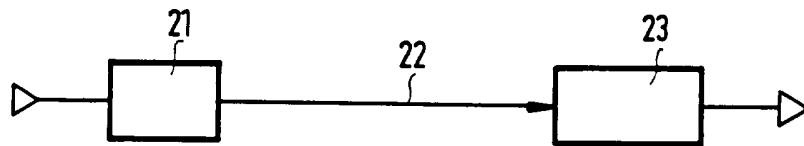


FIG. 2

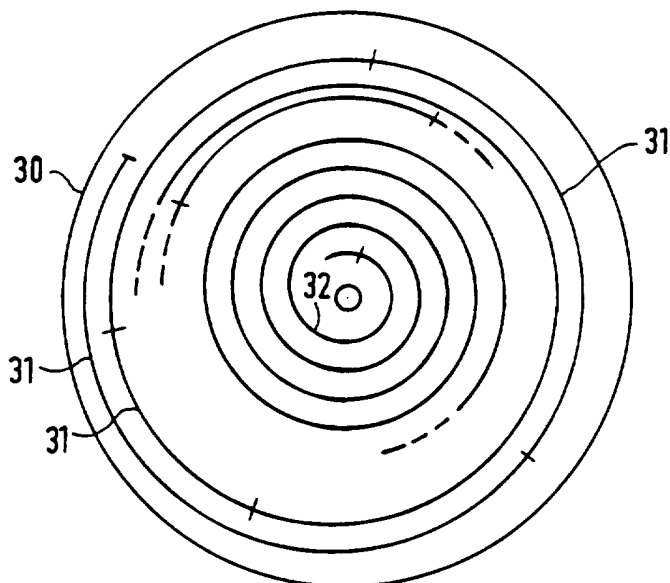


FIG. 3

2/5

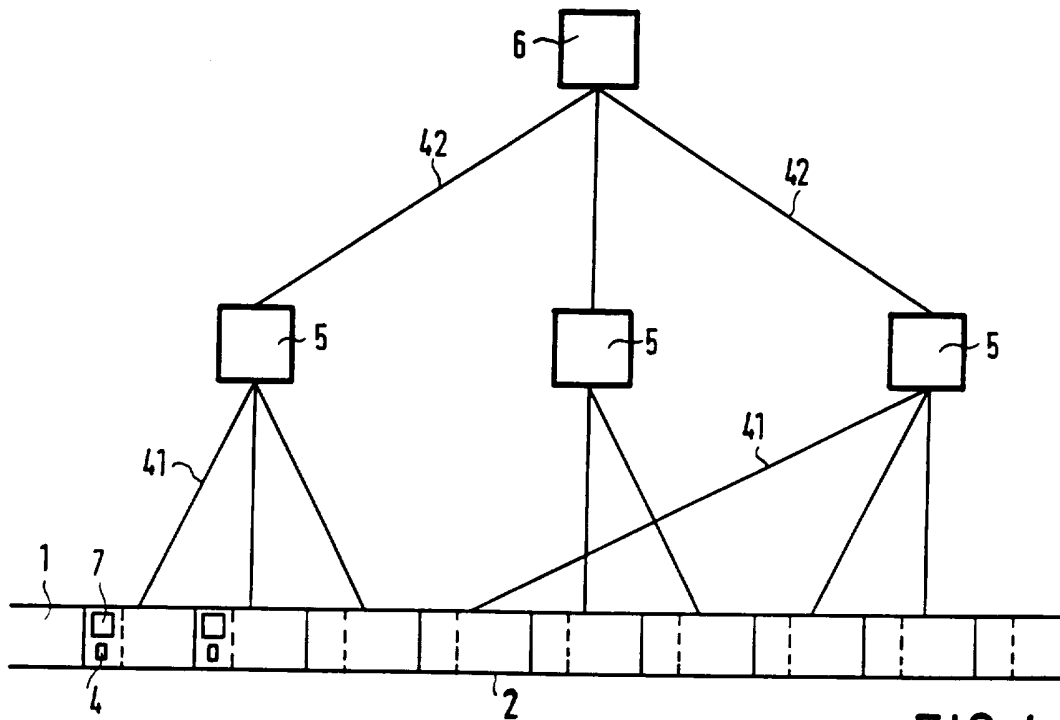


FIG.4

Pos	+0	+1	+2	+3	Size
0	SYNC				4
4	Header				32
36	User Data				2048
2084	EDC				4

TOTAL: 2088

FIG.5

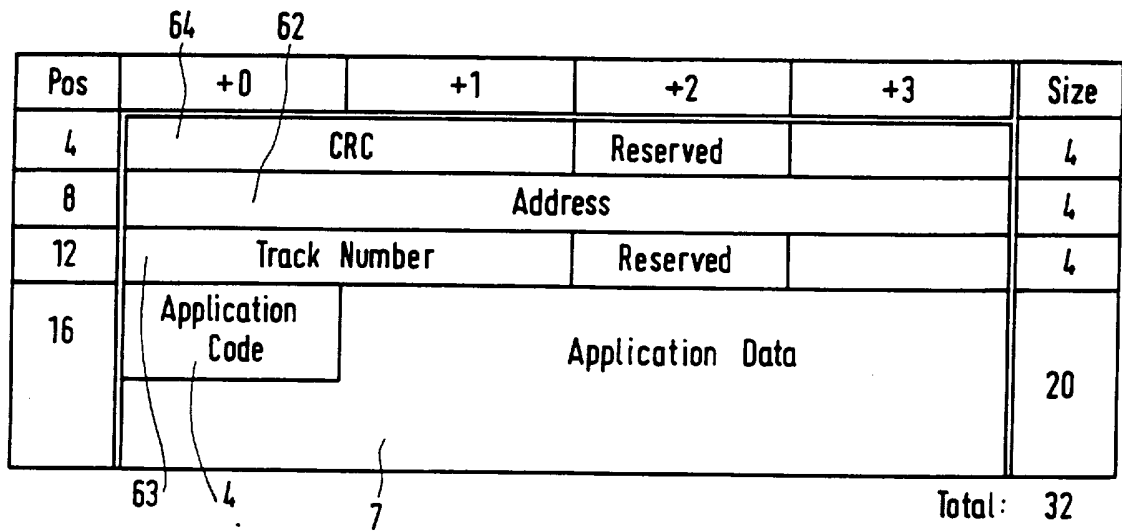


FIG. 6

Byte Position	Size (Bytes)	Field name
1	4	System Identification — 71
5	4	
9	48	Disc Entry — 72
57	16	
73	64	
137	32	
169	96	
265	120	
385	16	Track Entry 1 — 73
.	.	..
$385 + (N-1) * 16$	16	Track Entry N — 73
.	.	..
2033	16	Track Entry 104

FIG. 7

Byte Position	Size (Bytes)	Field name
9	1	
10	1	
11	1	
12	2	Number of Track
14	1	Disc Application ID
15	16	
31	2	
33	2	
35	4	
39	2	
41	16	Reserved

FIG.8

Byte Position	Size (Bytes)	Field name
M	4	Track Start Address
M+4	4	Track End Address
M+8	1	
M+9	1	Track Application Code
M+10	4	
M+14	2	

FIG.9

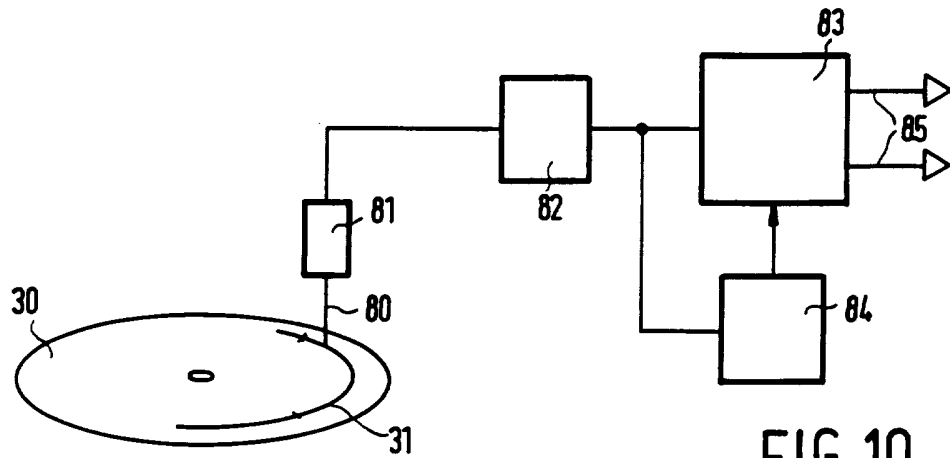


FIG. 10

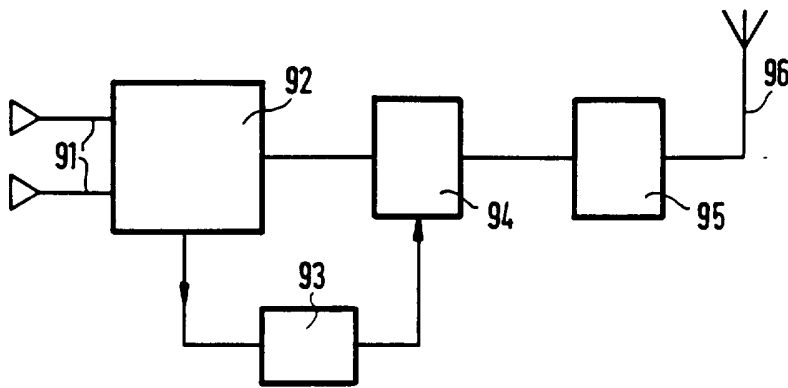


FIG. 11

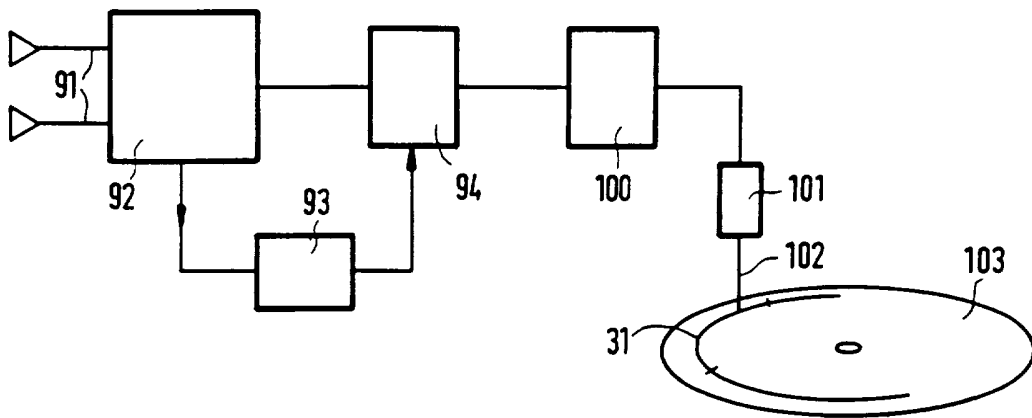


FIG. 12

INTERNATIONAL SEARCH REPORT

International application No.
PCT/IB 95/00978

A. CLASSIFICATION OF SUBJECT MATTER

IPC6: G11B 20/12, G11B 20/10, G11B 27/10, G11B 27/30, H04H 1/00
According to International Patent Classification (IPC) or to both national classification and IPC

B. FIELDS SEARCHED

Minimum documentation searched (classification system followed by classification symbols)

IPC6: G11B, H04H, H04N

Documentation searched other than minimum documentation to the extent that such documents are included in the fields searched

Electronic data base consulted during the international search (name of data base and, where practicable, search terms used)

INSPEC

C. DOCUMENTS CONSIDERED TO BE RELEVANT

Category*	Citation of document, with indication, where appropriate, of the relevant passages	Relevant to claim No.
A	EP 0325325 A2 (PHILIPS AND DU PONT OPTICAL COMPANY), 26 July 1989 (26.07.89), see the whole document --	1,2,7,8,13,14,17-19,22
A	EP 0389689 A1 (PHILIPS AND DU PONT OPTICAL DEUTSCHLAND GMBH), 3 October 1990 (03.10.90), see the whole document --	1,2,7,8,13,14,17-19,22
A	EP 0561435 A2 (PHILIPS ELECTRONICS N.V.), 22 Sept 1993 (22.09.93), column 3, line 45 - column 6, line 48 -- -----	1,2,7,8,13,14,17,18,22

Further documents are listed in the continuation of Box C.

See patent family annex.

* Special categories of cited documents:

"A" document defining the general state of the art which is not considered to be of particular relevance

"E" earlier document but published on or after the international filing date

"L" document which may throw doubts on priority claim(s) or which is cited to establish the publication date of another citation or other special reason (as specified)

"O" document referring to an oral disclosure, use, exhibition or other means

"P" document published prior to the international filing date but later than the priority date claimed

"T" later document published after the international filing date or priority date and not in conflict with the application but cited to understand the principle or theory underlying the invention

"X" document of particular relevance: the claimed invention cannot be considered novel or cannot be considered to involve an inventive step when the document is taken alone

"Y" document of particular relevance: the claimed invention cannot be considered to involve an inventive step when the document is combined with one or more other such documents, such combination being obvious to a person skilled in the art

"&" document member of the same patent family

Date of the actual completion of the international search

9 May 1996

Date of mailing of the international search report

10 -05- 1996

Name and mailing address of the ISA/

Swedish Patent Office

Box 5055, S-102 42 STOCKHOLM

Facsimile No. +46 8 666 02 86

Authorized officer

Bo Gustavsson

Telephone No. +46 8 782 25 00

INTERNATIONAL SEARCH REPORT

Information on patent family members

01/04/96

International application No.

PCT/IB 95/00978

Patent document cited in search report	Publication date	Patent family member(s)	Publication date
EP-A2- 0325325	26/07/89	AU-B- 639411	29/07/93
		AU-A- 2855789	20/07/89
		CA-A- 1322593	28/09/93
		CN-B- 1023265	22/12/93
		CN-B- 1025701	17/08/94
		CN-A- 1068673	03/02/93
		DE-A- 3801332	27/07/89
		JP-A- 2007276	11/01/90
		DE-A- 3816832	30/11/89

EP-A1- 0389689	03/10/90	JP-A- 2292933	04/12/90
		US-A- 5150113	22/09/92

EP-A2- 0561435	22/09/93	CA-A- 2089632	20/08/93
		CN-A- 1076568	22/09/93
