



US00D752025S

(12) **United States Design Patent**  
**Akana et al.**

(10) **Patent No.:** **US D752,025 S**

(45) **Date of Patent:** **\*\* Mar. 22, 2016**

(54) **REMOTE CONTROL**

(71) Applicant: **Apple Inc.**, Cupertino, CA (US)  
(72) Inventors: **Jody Akana**, San Francisco, CA (US);  
**Bartley K. Andre**, Palo Alto, CA (US);  
**Jeremy Bataillou**, San Francisco, CA (US);  
**Daniel J. Coster**, San Francisco, CA (US);  
**Daniele De Iuliis**, San Francisco, CA (US);  
**M. Evans Hankey**, San Francisco, CA (US);  
**Richard P. Howarth**, San Francisco, CA (US);  
**Jonathan P. Ive**, San Francisco, CA (US);  
**Duncan Robert Kerr**, San Francisco, CA (US);  
**Shin Nishibori**, Kailua, HI (US);  
**Matthew Dean Rohrbach**, San Francisco, CA (US);  
**Peter Russell-Clarke**, San Francisco, CA (US);  
**Christopher J. Stringer**, Woodside, CA (US);  
**Eugene Antony Whang**, San Francisco, CA (US);  
**Rico Zörkendörfer**, San Francisco, CA (US)

(73) Assignee: **Apple Inc.**, Cupertino, CA (US)

(\*\*) Term: **14 Years**

(21) Appl. No.: **29/489,736**

(22) Filed: **May 2, 2014**

**Related U.S. Application Data**

(60) Continuation of application No. 29/485,556, filed on Mar. 20, 2014, which is a continuation of application

(Continued)

(51) **LOC (10) Cl.** ..... **14-03**

(52) **U.S. Cl.**  
USPC ..... **D14/218**

(58) **Field of Classification Search**  
USPC ..... D14/217-218, 299, 174; D13/168,  
D13/162.1

CPC . H04N 5/23203; H04N 7/142; G05D 1/0038;  
G08C 23/04; G08C 17/02

See application file for complete search history.

(56) **References Cited**

U.S. PATENT DOCUMENTS

2,521,423 A 9/1950 Stuck  
D299,922 S 2/1989 Schremmer

(Continued)

FOREIGN PATENT DOCUMENTS

JP D1204966 5/2004  
JP D1219575 \* 10/2004  
JP D1265144 \* 3/2006

OTHER PUBLICATIONS

Amazon.com: Apple Remote—Mac, iPod or iPhone, oldest review Dec. 17, 2009, online, [http://www.amazon.com/Apple-Remote-iPod-iPhone-MC377LL/dp/B002TPFNXS/ref=sr\\_1\\_2?ie=UTF8&qid=1433979813&sr=8-2&keywords=apple+remote](http://www.amazon.com/Apple-Remote-iPod-iPhone-MC377LL/dp/B002TPFNXS/ref=sr_1_2?ie=UTF8&qid=1433979813&sr=8-2&keywords=apple+remote), site visited [Jun. 10, 2015 7:44:31 PM].\*

(Continued)

*Primary Examiner* — John Windmuller

*Assistant Examiner* — John R Yeh

(74) *Attorney, Agent, or Firm* — Sterne, Kessler, Goldstein & Fox P.L.L.C.

(57) **CLAIM**

The ornamental design for a remote control, as shown and described.

**DESCRIPTION**

FIG. 1 is a bottom front perspective view of a remote control showing our new design;

FIG. 2 is a bottom rear perspective view thereof;

FIG. 3 is top front perspective view thereof;

FIG. 4 is top rear perspective view thereof;

FIG. 5 is a front view thereof;

FIG. 6 is a rear view thereof;

FIG. 7 is a left side view thereof;

FIG. 8 is right side view thereof;

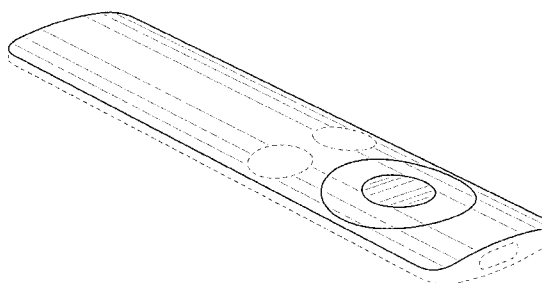
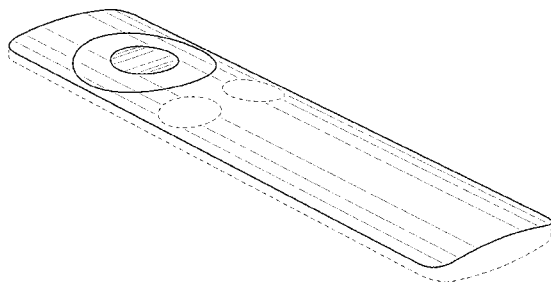
FIG. 9 is a top plan view thereof; and,

FIG. 10 is a bottom plan view thereof.

The shade lines in the Figures show contour and not surface ornamentation.

The broken lines in the Figures show portions of the remote control that form no part of the claimed design.

**1 Claim, 4 Drawing Sheets**



**Related U.S. Application Data**

No. 29/432,443, filed on Oct. 15, 2012, now Pat. No. Des. 704,167, which is a continuation of application No. 29/404,056, filed on Oct. 14, 2011, now Pat. No. Des. 669,452, which is a continuation of application No. 29/391,544, filed on May 10, 2011, now Pat. No. Des. 649,138, which is a continuation of application No. 29/366,344, filed on Jul. 23, 2010, now Pat. No. Des. 642,161, which is a division of application No. 29/345,286, filed on Oct. 13, 2009, now Pat. No. Des. 620,456.

(56)

**References Cited**

U.S. PATENT DOCUMENTS

D381,663 S 7/1997 Friis  
 D396,860 S 8/1998 Yasutomi  
 D433,404 S 11/2000 Thakur  
 D475,359 S 6/2003 Hirose  
 D477,590 S 7/2003 Ahn  
 D496,031 S 9/2004 Ma et al.  
 D500,301 S 12/2004 Deguchi  
 D500,485 S 1/2005 Deguchi  
 D506,476 S 6/2005 Andre et al.  
 D509,480 S 9/2005 Li  
 D529,044 S 9/2006 Andre et al.  
 D531,586 S 11/2006 Poulet  
 D534,921 S 1/2007 Andre et al.  
 D535,261 S \* 1/2007 Daniels ..... D13/168  
 D539,814 S 4/2007 Andre et al.  
 D547,327 S 7/2007 Kin  
 D548,195 S 8/2007 Poulet  
 D550,703 S 9/2007 Koizumi  
 D550,714 S 9/2007 Ferraboshi  
 D551,215 S 9/2007 Lee, Jr. et al.  
 D556,154 S 11/2007 Poulet et al.  
 D557,666 S 12/2007 Schroter  
 D560,230 S 1/2008 Yagi  
 D567,801 S 4/2008 Trappler  
 D568,338 S 5/2008 Andre et al.  
 D568,827 S 5/2008 Ikeda et al.  
 D571,305 S 6/2008 Thursfield  
 D578,168 S 10/2008 Looks et al.  
 D580,456 S \* 11/2008 Oh et al. .... D14/496  
 D584,292 S 1/2009 Knight  
 D584,718 S \* 1/2009 Moller et al. .... D14/218  
 D585,077 S 1/2009 Sheba et al.  
 D585,876 S 2/2009 Griffin

D588,611 S 3/2009 Oh et al.  
 D589,963 S 4/2009 Sheba et al.  
 D592,677 S 5/2009 Sheba et al.  
 D595,669 S 7/2009 Endo et al.  
 D596,163 S 7/2009 Madonna et al.  
 D602,473 S \* 10/2009 Moller et al. .... D14/218  
 D604,713 S 11/2009 Andre et al.  
 D604,723 S 11/2009 Bodley et al.  
 D605,635 S 12/2009 Edahiro et al.  
 D606,519 S 12/2009 Painter  
 D608,303 S 1/2010 Klausung et al.  
 D608,765 S 1/2010 Tsai et al.  
 D609,695 S 2/2010 Cigliano et al.  
 D611,433 S 3/2010 Tang et al.  
 D620,456 S \* 7/2010 Akana et al. .... D13/168  
 D621,371 S \* 8/2010 Sheppard et al. .... D13/168  
 D622,696 S 8/2010 Akana et al.  
 D626,530 S 11/2010 Andre et al.  
 D631,851 S 2/2011 Smith et al.  
 D633,478 S \* 3/2011 Bolton ..... D14/218  
 D647,510 S 10/2011 Maier et al.  
 D647,511 S 10/2011 Maier et al.  
 D648,285 S \* 11/2011 Kashimoto ..... D13/168  
 D649,138 S \* 11/2011 Akana et al. .... D14/218  
 D651,589 S 1/2012 Fischer  
 D652,820 S \* 1/2012 Peh ..... D14/218  
 D656,488 S \* 3/2012 Nakayama et al. .... D14/218  
 D661,688 S \* 6/2012 Weitgasser ..... D14/218  
 D661,689 S \* 6/2012 Weitgasser ..... D14/218  
 D673,137 S 12/2012 Maier et al.  
 D679,266 S \* 4/2013 Shin et al. .... D14/218  
 D687,815 S \* 8/2013 Hwangho et al. .... D14/218  
 D695,272 S \* 12/2013 Hansen et al. .... D14/218  
 D703,188 S \* 4/2014 Maier et al. .... D14/218  
 D703,190 S \* 4/2014 Zaslavsky et al. .... D14/218  
 D704,167 S \* 5/2014 Akana et al. .... D14/218  
 D705,755 S \* 5/2014 Zaslavsky et al. .... D14/218  
 2004/0125078 A1 7/2004 Nishimori et al.  
 2005/0024321 A1 2/2005 Tsai  
 2005/0030434 A1 \* 2/2005 Sata et al. .... 348/734  
 2011/0316664 A1 \* 12/2011 Olcott et al. .... 340/4.37

OTHER PUBLICATIONS

AnandTech | ASRock CoreHT 252B Review Sep. 2, 2011, online, <http://www.anandtech.com/show/4713/asrock-coreht-252b-review/> 3, [site visited Sep. 30, 2014 9:27:52 PM].\*  
 Search Report For New Design Patnt [sic] Application ROC (Taiwan) New Design Patent Application No. 099301163 (Translation). Date of Completion: Sep. 20, 2010.

\* cited by examiner

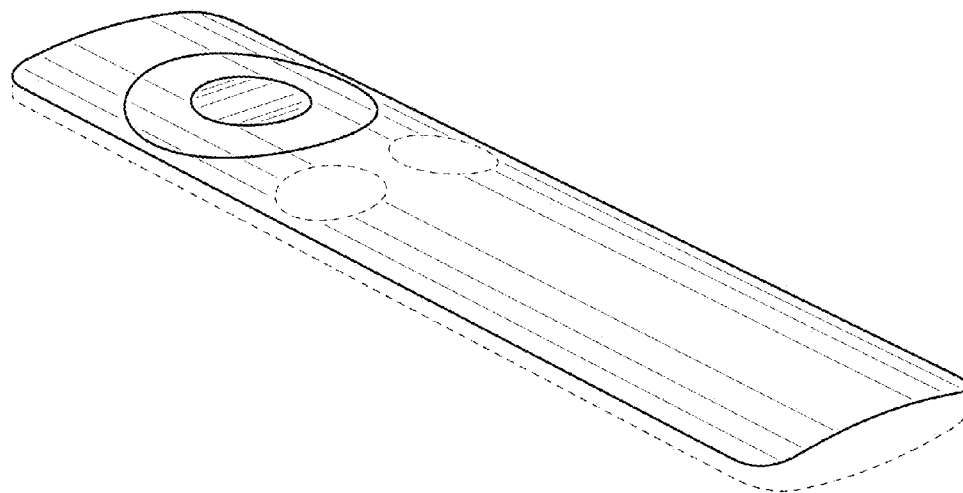


FIG. 1

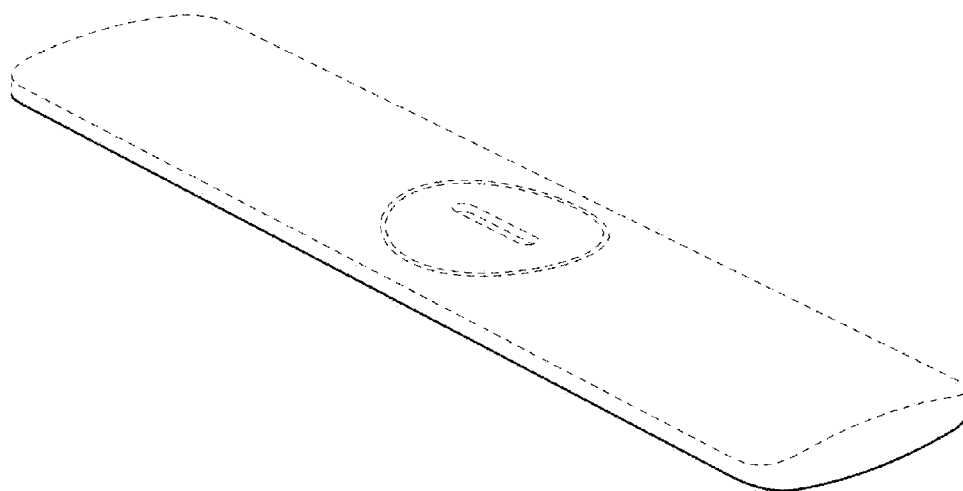


FIG. 2

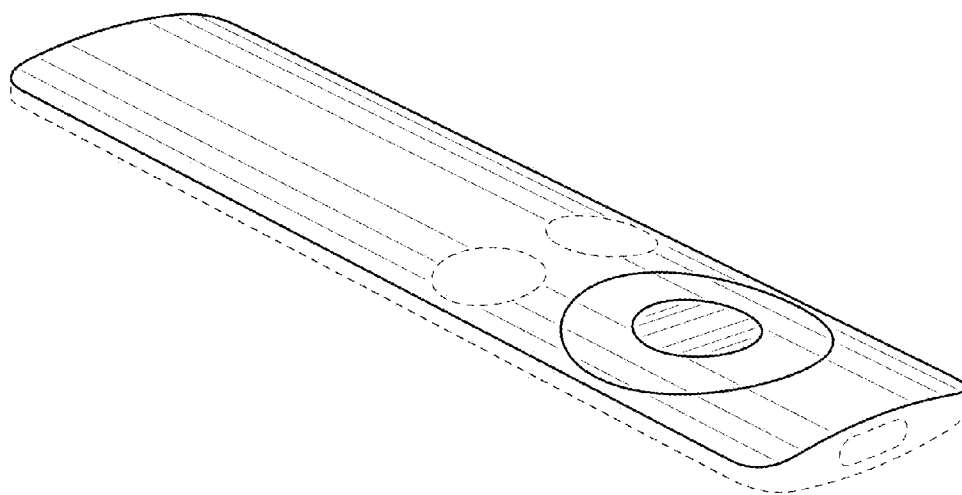


FIG. 3

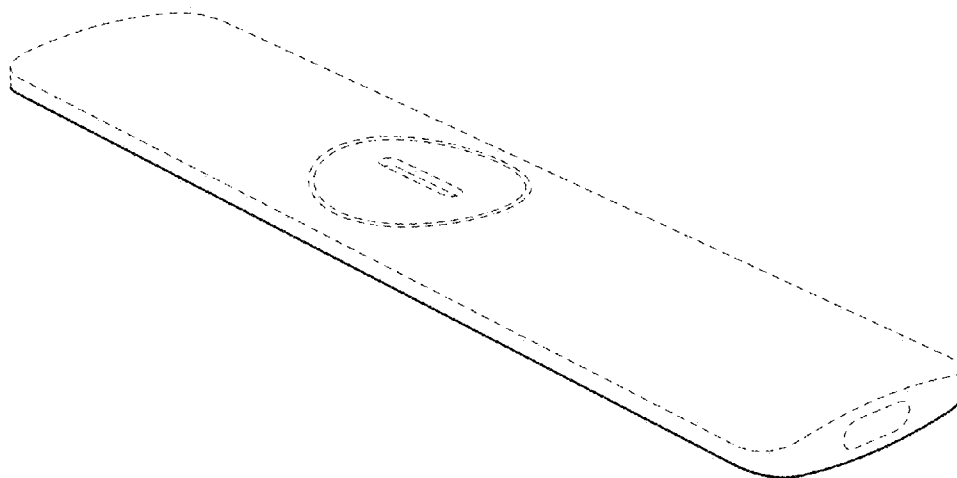


FIG. 4

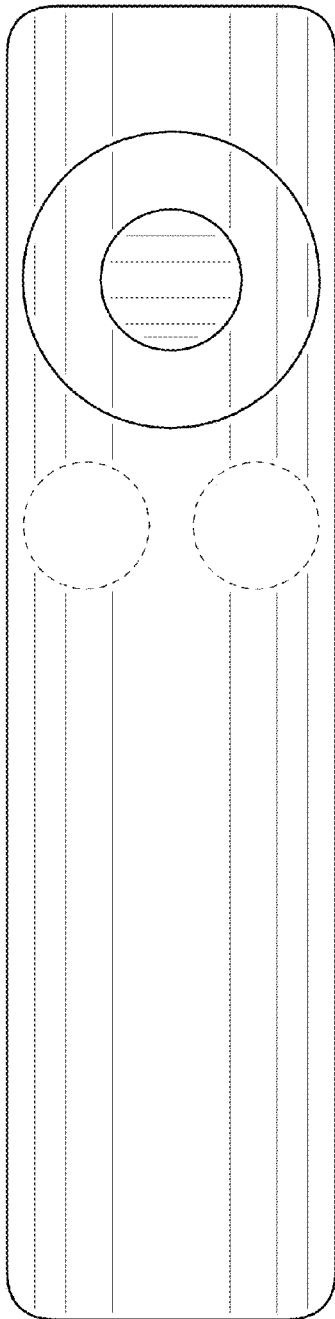


FIG. 5

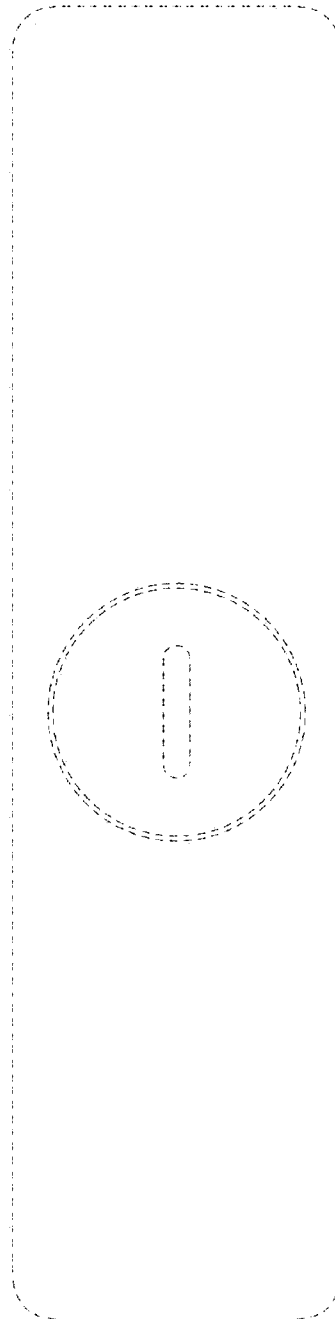


FIG. 6

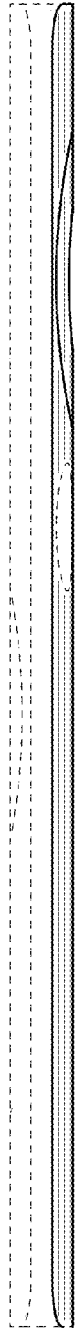


FIG. 7

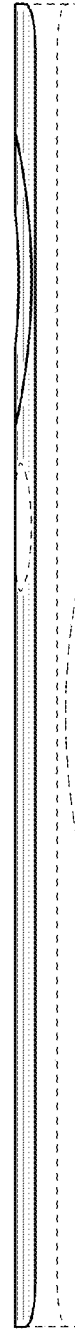


FIG. 8

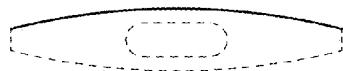


FIG. 9



FIG. 10