

(19) World Intellectual Property
Organization
International Bureau



(43) International Publication Date
24 February 2005 (24.02.2005)

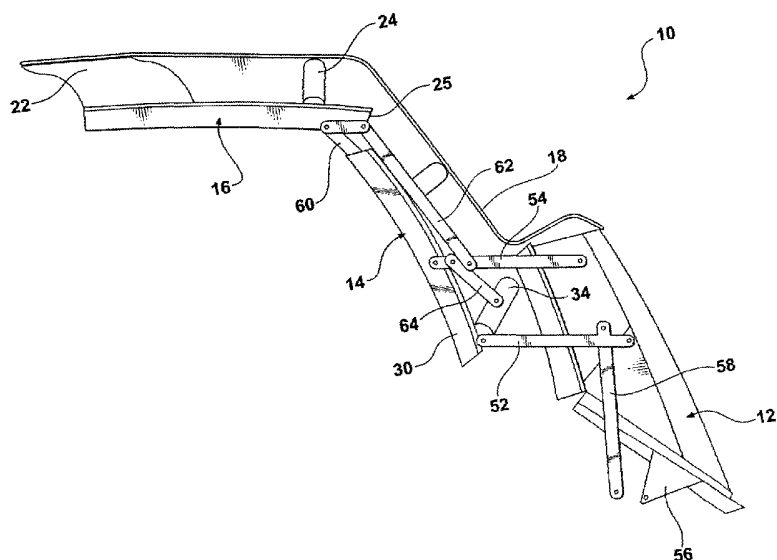
PCT

(10) International Publication Number
WO 2005/016675 A3

- (51) International Patent Classification⁷: **B60J 7/14, 7/20**
- (21) International Application Number:
PCT/US2003/025786
- (22) International Filing Date: 14 August 2003 (14.08.2003)
- (25) Filing Language: English
- (26) Publication Language: English
- (30) Priority Data:
60/403,601 14 August 2002 (14.08.2002) US
60/445,094 5 February 2003 (05.02.2003) US
10/640,517 13 August 2003 (13.08.2003) US
- (71) Applicant (for all designated States except US): **WILHELM KARMANN GMBH** [DE/DE]; Karmannstrasse 1, 49084 Osnabrück (DE).
- (72) Inventor; and
- (75) Inventor/Applicant (for US only): **NEUBRAND, Frank** [US/US]; 5563 Edinborough, West Bloomfield, MI 48322 (US).
- (74) Agents: **WATHEN, Douglas, L.** et al.; Gifford, Krass, Groh, Sprinkle,, Anderson & Citkowski, P.C., 280 N. Old Woodward Ave., Ste. 400, Birmingham, MI 48009 (US).
- (81) Designated States (national): AE, AG, AL, AM, AT, AU, AZ, BA, BB, BG, BR, BY, BZ, CA, CH, CN, CO, CR, CU, CZ, DE, DK, DM, DZ, EC, EE, ES, FI, GB, GD, GE, GH, GM, HR, HU, ID, IL, IN, IS, JP, KE, KG, KP, KR, KZ, LC, LK, LR, LS, LT, LU, LV, MA, MD, MG, MK, MN, MW, MX, MZ, NI, NO, NZ, OM, PG, PH, PL, PT, RO, RU, SC, SD, SE, SG, SK, SL, SY, TJ, TM, TN, TR, TT, TZ, UA, UG, US, UZ, VC, VN, YU, ZA, ZM, ZW.
- (84) Designated States (regional): ARIPO patent (GH, GM, KE, LS, MW, MZ, SD, SL, SZ, TZ, UG, ZM, ZW), Eurasian patent (AM, AZ, BY, KG, KZ, MD, RU, TJ, TM), European patent (AT, BE, BG, CH, CY, CZ, DE, DK, EE, ES, FI, FR, GB, GR, HU, IE, IT, LU, MC, NL, PT, RO, SE, SI, SK, TR), OAPI patent (BF, BJ, CF, CG, CI, CM, GA, GN, GQ, GW, ML, MR, NE, SN, TD, TG).
- Published:
— with international search report

[Continued on next page]

(54) Title: FOLDING TOP FOR VEHICLE WITH RIGID REAR PANEL



(57) Abstract: A retractable top system for a vehicle includes a front section, a middle section, and a rear section. Each of the sections has an inner surface that face the passenger compartment of the vehicle when the top is in the extended position, and an opposed outer surface. The rear section is a rigid panel that extends between opposed side edges and between forward and rearward edges of the rear section. A flexible roof membrane covers at least the outer surfaces of the front section and middle section when the top is in the extended position. When the top is in the retracted position, the outer surface of the front section is directed upwardly and the outer surface of the middle section is directed downwardly.

WO 2005/016675 A3



— *before the expiration of the time limit for amending the claims and to be republished in the event of receipt of amendments*

For two-letter codes and other abbreviations, refer to the "Guidance Notes on Codes and Abbreviations" appearing at the beginning of each regular issue of the PCT Gazette.

(88) Date of publication of the international search report:
30 June 2005

INTERNATIONAL SEARCH REPORT

International application No.

PCT/US03/25786

A. CLASSIFICATION OF SUBJECT MATTER		
IPC(7) : B 60 J 7/14, 7/20		
US CL : 296/107.08, 107.09, 107.15, 107.17		
According to International Patent Classification (IPC) or to both national classification and IPC		
B. FIELDS SEARCHED		
Minimum documentation searched (classification system followed by classification symbols) U.S. : 296/107.08, 107.09, 107.15, 107.17, 107.01, 107.15, 107.16, 107.17, 108, 109, 117, 118		
Documentation searched other than minimum documentation to the extent that such documents are included in the fields searched		
Electronic data base consulted during the international search (name of data base and, where practicable, search terms used)		
C. DOCUMENTS CONSIDERED TO BE RELEVANT		
Category *	Citation of document, with indication, where appropriate, of the relevant passages	Relevant to claim No.
X	US 5,829,821 A (AYDT et al.) 3 November 1998	1 and 5
---		-----
Y		50-55
Y	US 6,422,637 B1 (MAC FARLAND) 23 July 2002 (23.07.2002)	50-55
A	US 6,793,267 B2 (HESELHAUS) 21 September 2004 (21.09.2004)	1-55
A	US 6,439,642 B2 (MAC FARLAND) 27 August 2002 (27.08.2002)	1-55
A	US 6,390,532 B1 (MAC FARLAND) 21 May 2002 (21.05.2002)	1-55
A	US 6,336,673 B1 (ROTHER et al.) 8 January 2002 (08.01.2002)	1-55
A	US 6,270,143 B1 (HESELHAUS et al.) 7 August 2001 (07.01.2001)	1-55
A	US 6,209,945 B1 (AYDT et al.) 3 April 2001 (03.04.2001)	1-55
<input type="checkbox"/> Further documents are listed in the continuation of Box C. <input type="checkbox"/> See patent family annex.		
* Special categories of cited documents:		
"A"	document defining the general state of the art which is not considered to be of particular relevance	"T" later document published after the international filing date or priority date and not in conflict with the application but cited to understand the principle or theory underlying the invention
"E"	earlier application or patent published on or after the international filing date	"X" document of particular relevance; the claimed invention cannot be considered novel or cannot be considered to involve an inventive step when the document is taken alone
"L"	document which may throw doubts on priority claim(s) or which is cited to establish the publication date of another citation or other special reason (as specified)	"Y" document of particular relevance; the claimed invention cannot be considered to involve an inventive step when the document is combined with one or more other such documents, such combination being obvious to a person skilled in the art
"O"	document referring to an oral disclosure, use, exhibition or other means	"&" document member of the same patent family
"P"	document published prior to the international filing date but later than the priority date claimed	
Date of the actual completion of the international search		Date of mailing of the international search report
22 February 2005 (22.02.2005)		19 APR 2005
Name and mailing address of the ISA/US Mail Stop PCT, Attn: ISA/US Commissioner for Patents P.O. Box 1450 Alexandria, Virginia 22313-1450 Facsimile No. (703)305-3230		Authorized officer Greg Blankenship <i>V. Blankenship</i> Telephone No. 703-305-0223