



(51) International Patent Classification:

*B21D 7/022* (2006.01)    *B21D 43/00* (2006.01)  
*B21D 7/06* (2006.01)    *B21D 43/08* (2006.01)

(21) International Application Number:

PCT/DK2012/050407

(22) International Filing Date:

5 November 2012 (05.11.2012)

(25) Filing Language:

English

(26) Publication Language:

English

(30) Priority Data:

PA 2011 00869 8 November 2011 (08.11.2011)    DK

(71) Applicant: **BEND-IT APS** [DK/DK]; Østerled 24, Udbyhøj, DK-8970 Havndal (DK).

(72) Inventor: **CHRISTENSEN, Ivar**; Østerled 34, Udbyhøj, DK-8970 Havndal (DK).

(74) Agent: **PATENTGRUPPEN A/S**; Aaboulevarden 31, 4th floor, DK-8000 Aarhus C (DK).

(81) Designated States (unless otherwise indicated, for every kind of national protection available): AE, AG, AL, AM, AO, AT, AU, AZ, BA, BB, BG, BH, BN, BR, BW, BY, BZ, CA, CH, CL, CN, CO, CR, CU, CZ, DE, DK, DM, DO, DZ, EC, EE, EG, ES, FI, GB, GD, GE, GH, GM, GT, HN, HR, HU, ID, IL, IN, IS, JP, KE, KG, KM, KN, KP,

KR, KZ, LA, LC, LK, LR, LS, LT, LU, LY, MA, MD, ME, MG, MK, MN, MW, MX, MY, MZ, NA, NG, NI, NO, NZ, OM, PA, PE, PG, PH, PL, PT, QA, RO, RS, RU, RW, SC, SD, SE, SG, SK, SL, SM, ST, SV, SY, TH, TJ, TM, TN, TR, TT, TZ, UA, UG, US, UZ, VC, VN, ZA, ZM, ZW.

(84) Designated States (unless otherwise indicated, for every kind of regional protection available): ARIPO (BW, GH, GM, KE, LR, LS, MW, MZ, NA, RW, SD, SL, SZ, TZ, UG, ZM, ZW), Eurasian (AM, AZ, BY, KG, KZ, RU, TJ, TM), European (AL, AT, BE, BG, CH, CY, CZ, DE, DK, EE, ES, FI, FR, GB, GR, HR, HU, IE, IS, IT, LT, LU, LV, MC, MK, MT, NL, NO, PL, PT, RO, RS, SE, SI, SK, SM, TR), OAPI (BF, BJ, CF, CG, CI, CM, GA, GN, GQ, GW, ML, MR, NE, SN, TD, TG).

Declarations under Rule 4.17:

— of inventorship (Rule 4.17(iv))

Published:

— with international search report (Art. 21(3))

— before the expiration of the time limit for amending the claims and to be republished in the event of receipt of amendments (Rule 48.2(h))

(88) Date of publication of the international search report:

25 July 2013

(54) Title: PORTABLE ELECTRIC PIPE-BENDING APPARATUS

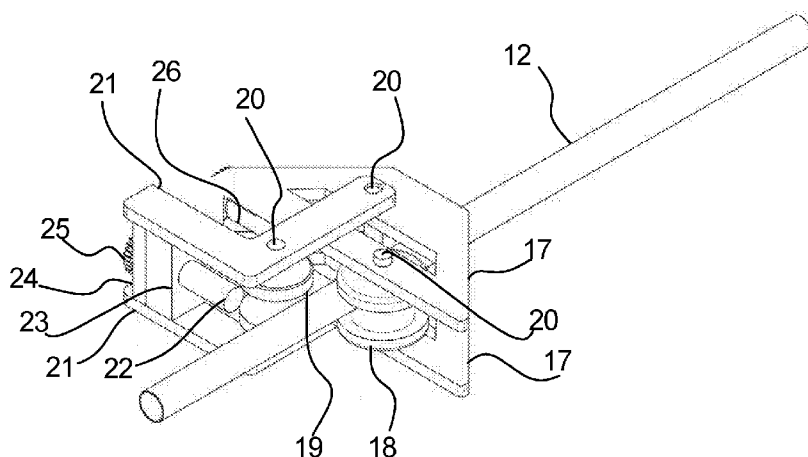


Fig. 3

(57) Abstract: A portable pipe-bending apparatus is disclosed, comprising a pipe-conveying system and a bending head comprising a fixed bushing arranged to receive the pipe from the pipe-conveying system, a fixed roller (18) arranged after the fixed bushing so that it supports the pipe on one side and a bending roller (19) arranged after the fixed roller on the opposite side of the pipe than the fixed roller, wherein the bending roller is arranged to be movable in a direction towards the pipe for bending the pipe around the fixed roller. Also, a pipe-conveying system (29) is disclosed, comprising two or more rollers (2-4; 32), at least one of which is arranged to be driven to rotate by a conveying motor (13), so that a pipe, which is clamped between the two or more rollers, is conveyed in its longitudinal direction by the rotation of the at least one motor-driven roller.



# INTERNATIONAL SEARCH REPORT

International application No  
PCT/DK2012/050407

**A. CLASSIFICATION OF SUBJECT MATTER**  
 INV. B21D7/022      B21D7/06      B21D43/00      B21D43/08  
 ADD.

According to International Patent Classification (IPC) or to both national classification and IPC

**B. FIELDS SEARCHED**

Minimum documentation searched (classification system followed by classification symbols)  
 B21D

Documentation searched other than minimum documentation to the extent that such documents are included in the fields searched

Electronic data base consulted during the international search (name of data base and, where practicable, search terms used)

EPO-Internal, WPI Data

**C. DOCUMENTS CONSIDERED TO BE RELEVANT**

Category*	Citation of document, with indication, where appropriate, of the relevant passages	Relevant to claim No.
X	US 4 000 636 A (SHUBIN VLADIMIR NIKOLAEVICH ET AL) 4 January 1977 (1977-01-04) columns 5,8; figures -----	1-17,25
X	US 3 373 587 A (NIKOLAEVICH SHUBIN VLADIMIR ET AL) 19 March 1968 (1968-03-19) the whole document -----	1-17,25
X	GB 2 181 680 A (USUI KOKUSAI SANGYO KK USUI KOKUSAI SANGYO KK [JP]) 29 April 1987 (1987-04-29) the whole document -----	1-17,25
X	EP 0 419 443 A1 (EVG ENTWICKLUNG VERWERT GES [AT]) 27 March 1991 (1991-03-27) the whole document -----	1-17,25

Further documents are listed in the continuation of Box C.

See patent family annex.

\* Special categories of cited documents :

"A" document defining the general state of the art which is not considered to be of particular relevance  
 "E" earlier application or patent but published on or after the international filing date  
 "L" document which may throw doubts on priority claim(s) or which is cited to establish the publication date of another citation or other special reason (as specified)  
 "O" document referring to an oral disclosure, use, exhibition or other means  
 "P" document published prior to the international filing date but later than the priority date claimed

"T" later document published after the international filing date or priority date and not in conflict with the application but cited to understand the principle or theory underlying the invention  
 "X" document of particular relevance; the claimed invention cannot be considered novel or cannot be considered to involve an inventive step when the document is taken alone  
 "Y" document of particular relevance; the claimed invention cannot be considered to involve an inventive step when the document is combined with one or more other such documents, such combination being obvious to a person skilled in the art  
 "&" document member of the same patent family

Date of the actual completion of the international search

10 January 2013

Date of mailing of the international search report

29/05/2013

Name and mailing address of the ISA/  
 European Patent Office, P.B. 5818 Patentlaan 2  
 NL - 2280 HV Rijswijk  
 Tel. (+31-70) 340-2040,  
 Fax: (+31-70) 340-3016

Authorized officer  
  
 Knecht, Frank

# INTERNATIONAL SEARCH REPORT

International application No.  
PCT/DK2012/050407

## Box No. II Observations where certain claims were found unsearchable (Continuation of item 2 of first sheet)

This international search report has not been established in respect of certain claims under Article 17(2)(a) for the following reasons:

1.  Claims Nos.:  
because they relate to subject matter not required to be searched by this Authority, namely:
  
2.  Claims Nos.:  
because they relate to parts of the international application that do not comply with the prescribed requirements to such an extent that no meaningful international search can be carried out, specifically:
  
3.  Claims Nos.:  
because they are dependent claims and are not drafted in accordance with the second and third sentences of Rule 6.4(a).

## Box No. III Observations where unity of invention is lacking (Continuation of item 3 of first sheet)

This International Searching Authority found multiple inventions in this international application, as follows:

see additional sheet

1.  As all required additional search fees were timely paid by the applicant, this international search report covers all searchable claims.
  
2.  As all searchable claims could be searched without effort justifying an additional fees, this Authority did not invite payment of additional fees.
  
3.  As only some of the required additional search fees were timely paid by the applicant, this international search report covers only those claims for which fees were paid, specifically claims Nos.:
  
4.  No required additional search fees were timely paid by the applicant. Consequently, this international search report is restricted to the invention first mentioned in the claims; it is covered by claims Nos.:

1-17, 25

### Remark on Protest

- The additional search fees were accompanied by the applicant's protest and, where applicable, the payment of a protest fee.
- The additional search fees were accompanied by the applicant's protest but the applicable protest fee was not paid within the time limit specified in the invitation.
- No protest accompanied the payment of additional search fees.

**FURTHER INFORMATION CONTINUED FROM PCT/ISA/ 210**

This International Searching Authority found multiple (groups of) inventions in this international application, as follows:

1. claims: 1-17, 25

A pipe bending apparatus and a method for bending a pipe

---

2. claims: 18-24

A pipe conveying system

---

# INTERNATIONAL SEARCH REPORT

Information on patent family members

International application No

PCT/DK2012/050407

Patent document cited in search report	Publication date	Patent family member(s)	Publication date
US 4000636	A	04-01-1977	NONE
-----			
US 3373587	A	19-03-1968	NONE
-----			
GB 2181680	A	29-04-1987	AU 586502 B2 13-07-1989
			AU 6367386 A 30-04-1987
			CA 1295220 C 04-02-1992
			DE 3635169 A1 23-04-1987
			FR 2588785 A1 24-04-1987
			GB 2181680 A 29-04-1987
			JP H089063 B2 31-01-1996
			JP S6293029 A 28-04-1987
			US 4735075 A 05-04-1988
-----			
EP 0419443	A1	27-03-1991	AT 96348 T 15-11-1993
			AT 393640 B 25-11-1991
			AU 624997 B2 25-06-1992
			AU 6298190 A 18-04-1991
			CA 2042025 A1 21-03-1991
			DD 297579 A5 16-01-1992
			DE 59003226 D1 02-12-1993
			EP 0419443 A1 27-03-1991
			GR 91300060 T1 15-11-1991
			JP H04501827 A 02-04-1992
			US 5193378 A 16-03-1993
			WO 9104112 A1 04-04-1991
-----			