



US00D799366S

(12) **United States Design Patent**
Paz

(10) **Patent No.:** **US D799,366 S**

(45) **Date of Patent:** **** Oct. 10, 2017**

(54) **GEM**

D691,915 S * 10/2013 Hodzic D11/89
D753,537 S * 4/2016 Modi D11/90
D767,441 S * 9/2016 Schweiger D11/89

(71) Applicant: **Avi Paz**, Tel Aviv (IL)

* cited by examiner

(72) Inventor: **Avi Paz**, Tel Aviv (IL)

Primary Examiner — Ralf Seifert

(**) Term: **15 Years**

(74) *Attorney, Agent, or Firm* — Stuart M. Goldstein

(21) Appl. No.: **29/554,385**

(57) **CLAIM**

(22) Filed: **Feb. 11, 2016**

The ornamental design for a gem, as shown and described.

(51) **LOC (10) Cl.** **11-01**

(52) **U.S. Cl.**
USPC **D11/89**

DESCRIPTION

(58) **Field of Classification Search**
USPC D11/1-2, 26-29, 89-92; 63/26-28, 32
CPC A44C 17/00; A44C 17/01
See application file for complete search history.

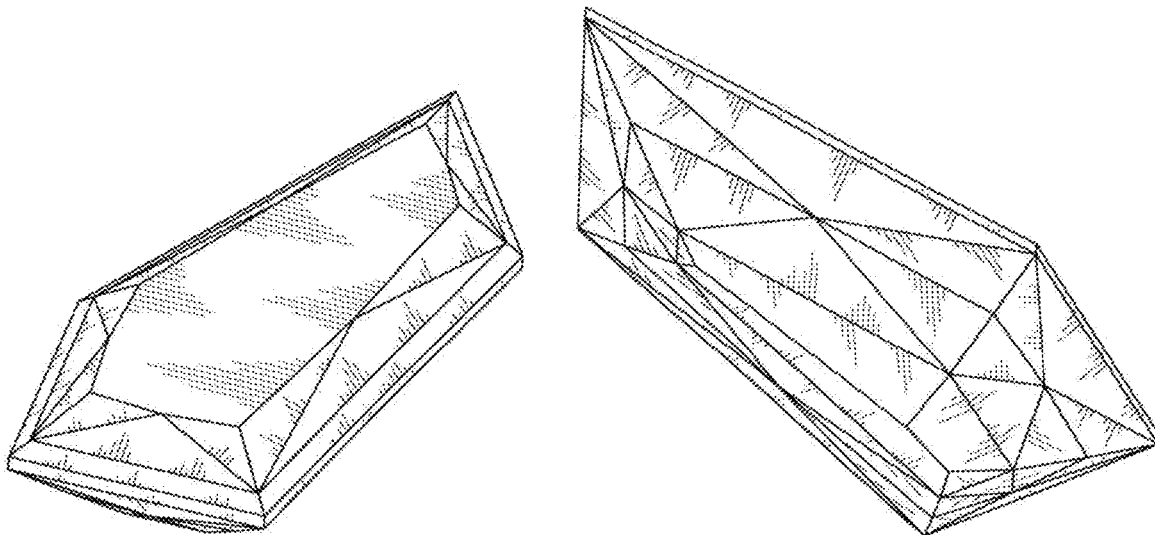
FIG. 1 is a top perspective view of the gem of the present invention.
FIG. 2 is a bottom perspective view of the gem of the present invention.
FIG. 3 is a top plan view of the gem of the present invention.
FIG. 4 is a bottom plan view of the gem of the present invention.
FIG. 5 is an elevation view of the gem of the present invention.
FIG. 6 is the opposite elevation view of the gem of the present invention.
FIG. 7 is an end view of the gem of the present invention; and,
FIG. 8 is the opposite end view of the gem of the present invention.

(56) **References Cited**

U.S. PATENT DOCUMENTS

D68,597 S *	10/1925	Robbins	D11/90
D81,382 S *	6/1930	Dinhofer	D11/90
D254,837 S *	4/1980	Breaux	141/392
D533,805 S *	12/2006	Hacmon	D11/90
D543,893 S *	6/2007	Tabertshofer	D11/90
D560,547 S *	1/2008	Kumar	D11/90
D585,325 S *	1/2009	Rossmann	D11/90
D610,937 S *	3/2010	Meyer	D11/89
D653,152 S *	1/2012	Bartl	D11/89
D654,824 S *	2/2012	Bartl	D11/89

1 Claim, 4 Drawing Sheets



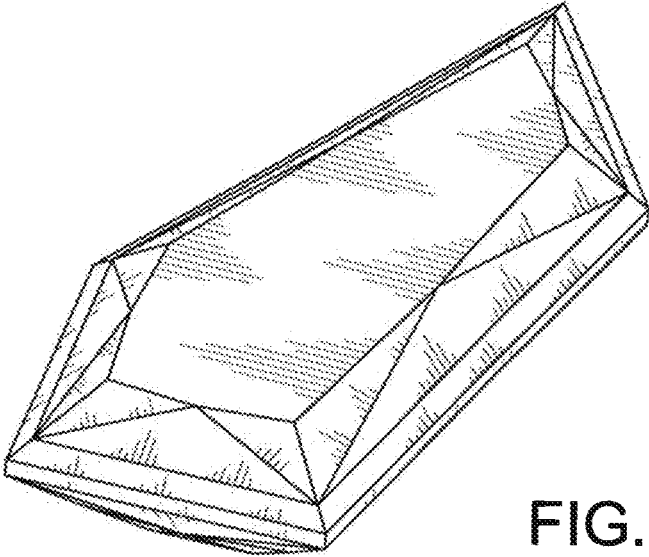


FIG. 1

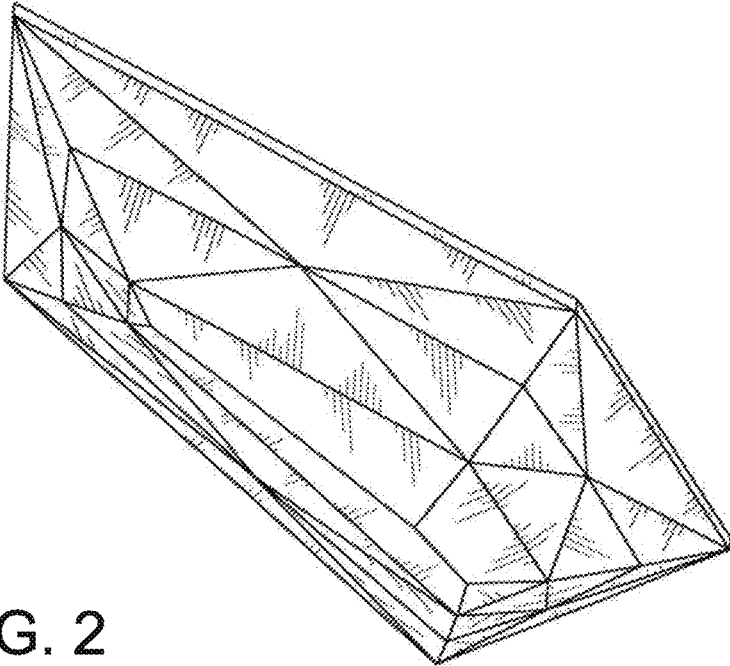


FIG. 2

FIG. 4

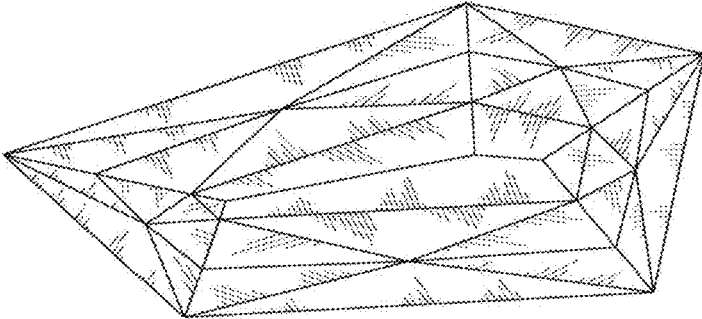
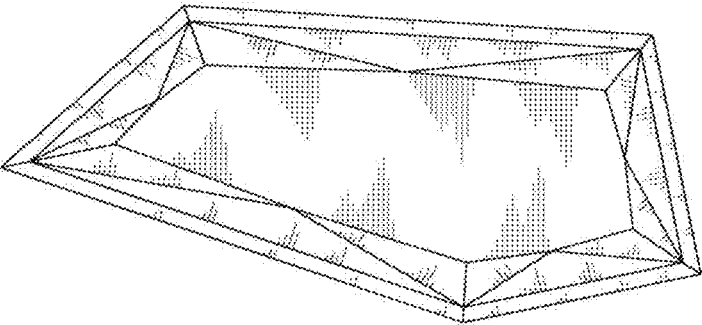


FIG. 3



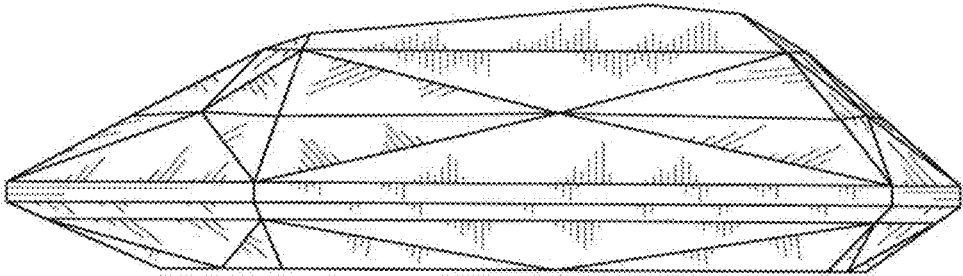


FIG. 6

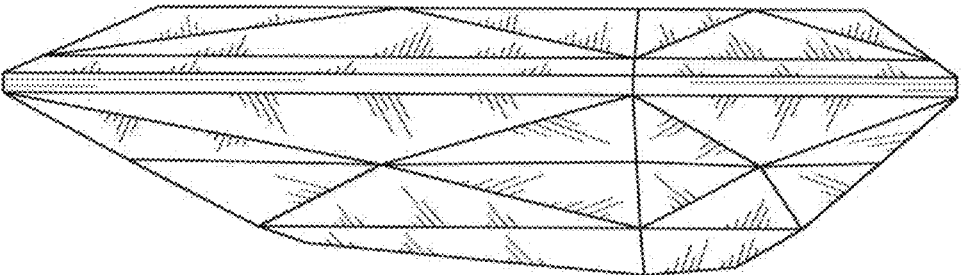


FIG. 5

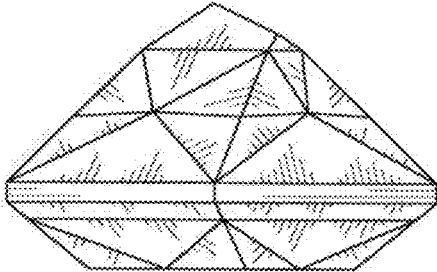


FIG. 7

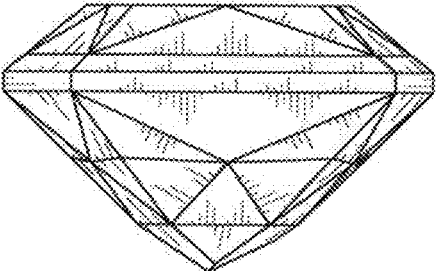


FIG. 8