



US00D535993S

(12) **United States Design Patent**  
**Ueda**

(10) **Patent No.:** **US D535,993 S**

(45) **Date of Patent:** **\*\* Jan. 30, 2007**

(54) **READER/WRITER FOR STORAGE MEDIUM**

(75) Inventor: **Arinobu Ueda**, Tokyo (JP)

(73) Assignee: **Sony Corporation**, Tokyo (JP)

(\*\*) Term: **14 Years**

(21) Appl. No.: **29/242,114**

(22) Filed: **Nov. 7, 2005**

(30) **Foreign Application Priority Data**

Jul. 21, 2005 (JP) ..... D2005-021177

(51) **LOC (8) Cl.** ..... **14-02**

(52) **U.S. Cl.** ..... **D14/383**

(58) **Field of Classification Search** ..... D14/383-388,  
D14/420, 426, 428; 235/380, 382, 382.5,  
235/462.01, 462.11, 462.22, 462.32, 472.01;  
361/752

See application file for complete search history.

(56) **References Cited**

**U.S. PATENT DOCUMENTS**

- D315,901 S \* 4/1991 Knowles ..... D14/428
- D319,436 S \* 8/1991 Matsushita ..... D14/428
- D331,576 S \* 12/1992 Yamanaka ..... D14/428
- D340,042 S \* 10/1993 Copper et al. .... D14/388

- D349,491 S \* 8/1994 Copper et al. .... D14/388
- 5,525,789 A \* 6/1996 Rockstein et al. .... 235/462.22
- 5,661,292 A \* 8/1997 Knowles et al. .... 235/462.32
- 6,328,211 B1 \* 12/2001 Wilz et al. .... 235/462.01
- 6,742,709 B1 \* 6/2004 Blake et al. .... 235/462.11
- D495,335 S 8/2004 Masamitsu et al.
- D503,172 S 3/2005 Izumi

\* cited by examiner

*Primary Examiner*—Freda S. Nunn

(74) *Attorney, Agent, or Firm*—Rader, Fishman & Grauer PLLC

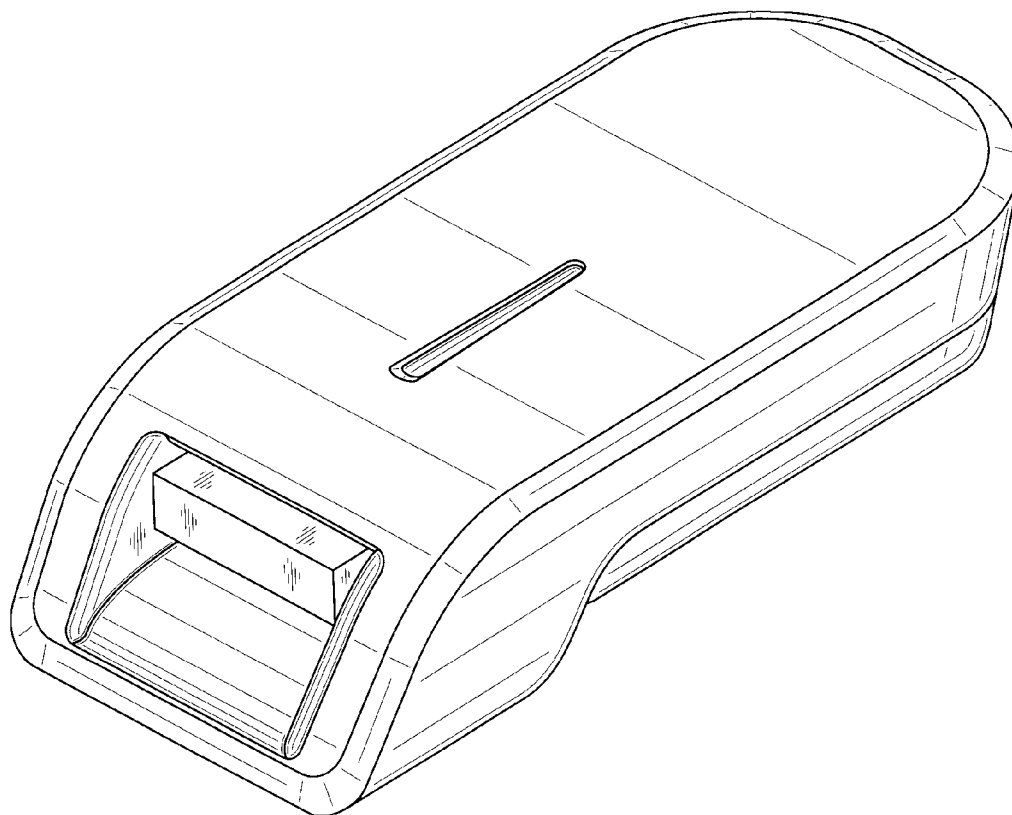
(57) **CLAIM**

The ornamental design for a reader/writer for storage medium, as shown.

**DESCRIPTION**

FIG. 1 is a perspective view of a reader/writer for storage medium showing my new design;  
 FIG. 2 is a front elevational view thereof;  
 FIG. 3 is a rear elevational view thereof;  
 FIG. 4 is a left side elevational view thereof;  
 FIG. 5 is a right side elevational view thereof;  
 FIG. 6 is a top plan view thereof; and,  
 FIG. 7 is a bottom plan view thereof.

**1 Claim, 7 Drawing Sheets**



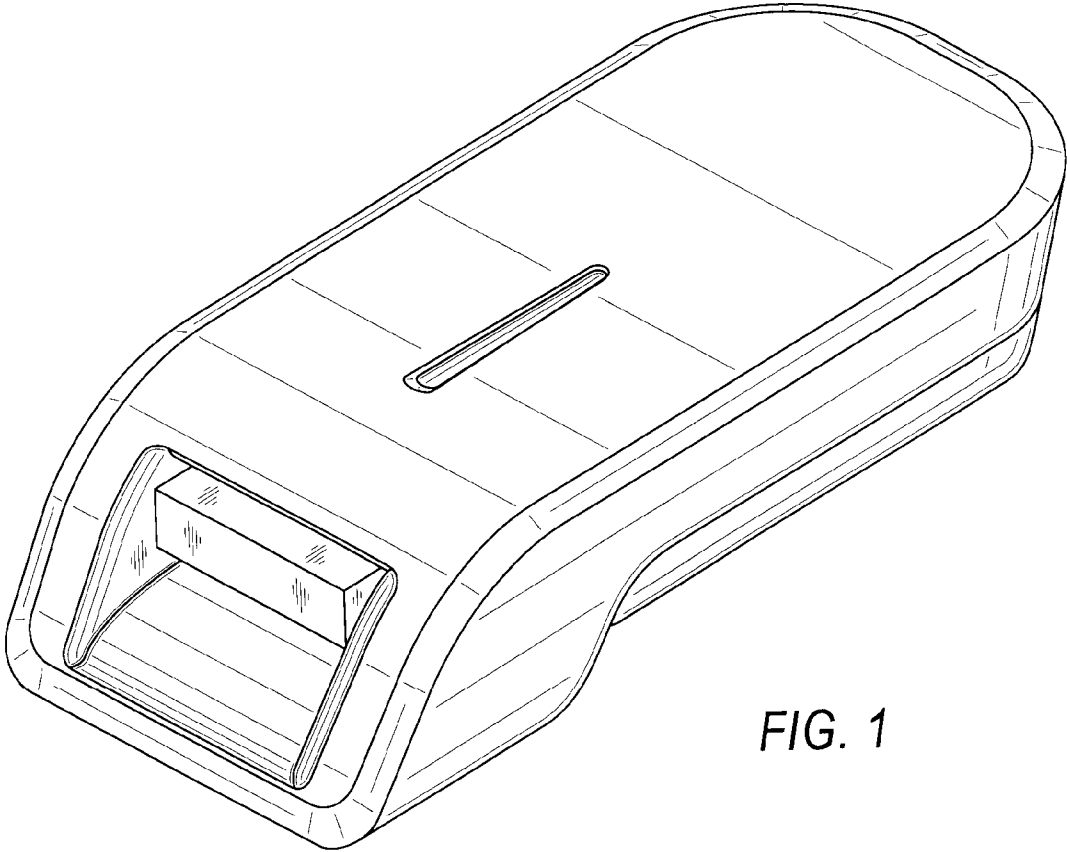


FIG. 1

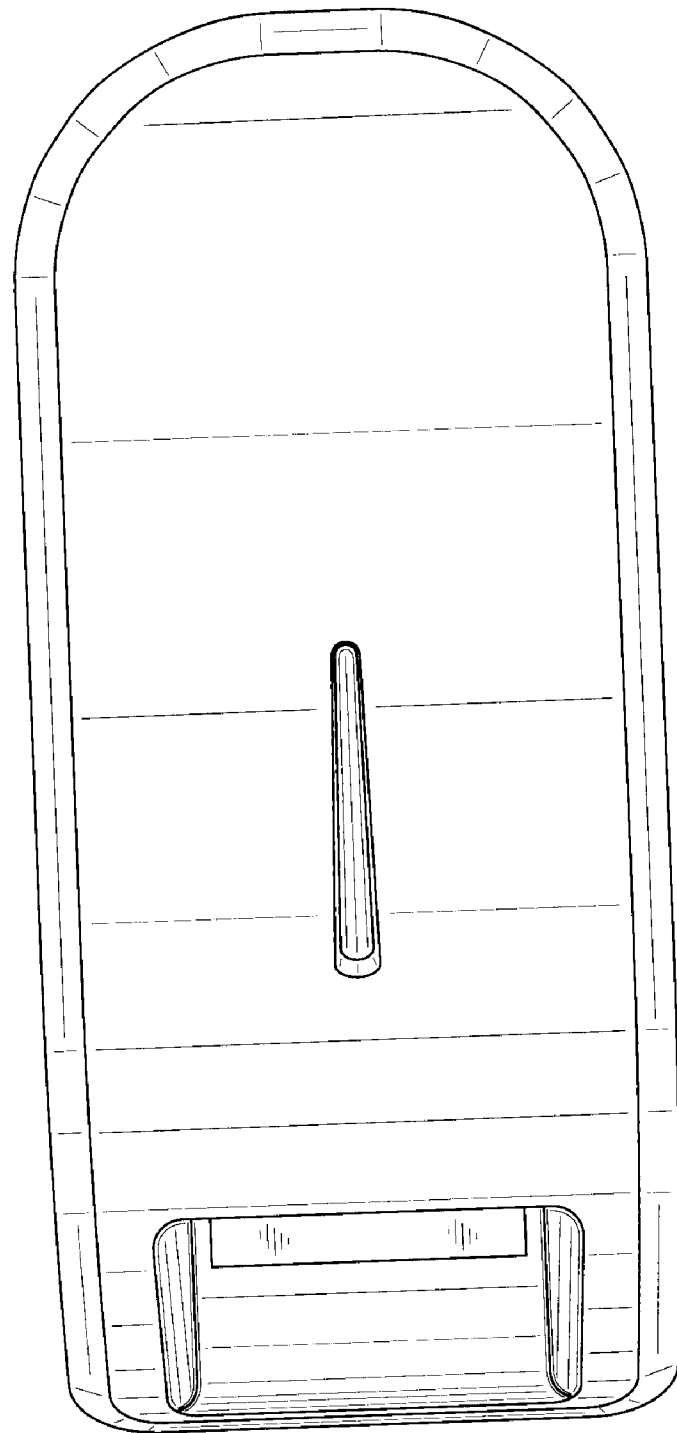


FIG. 2

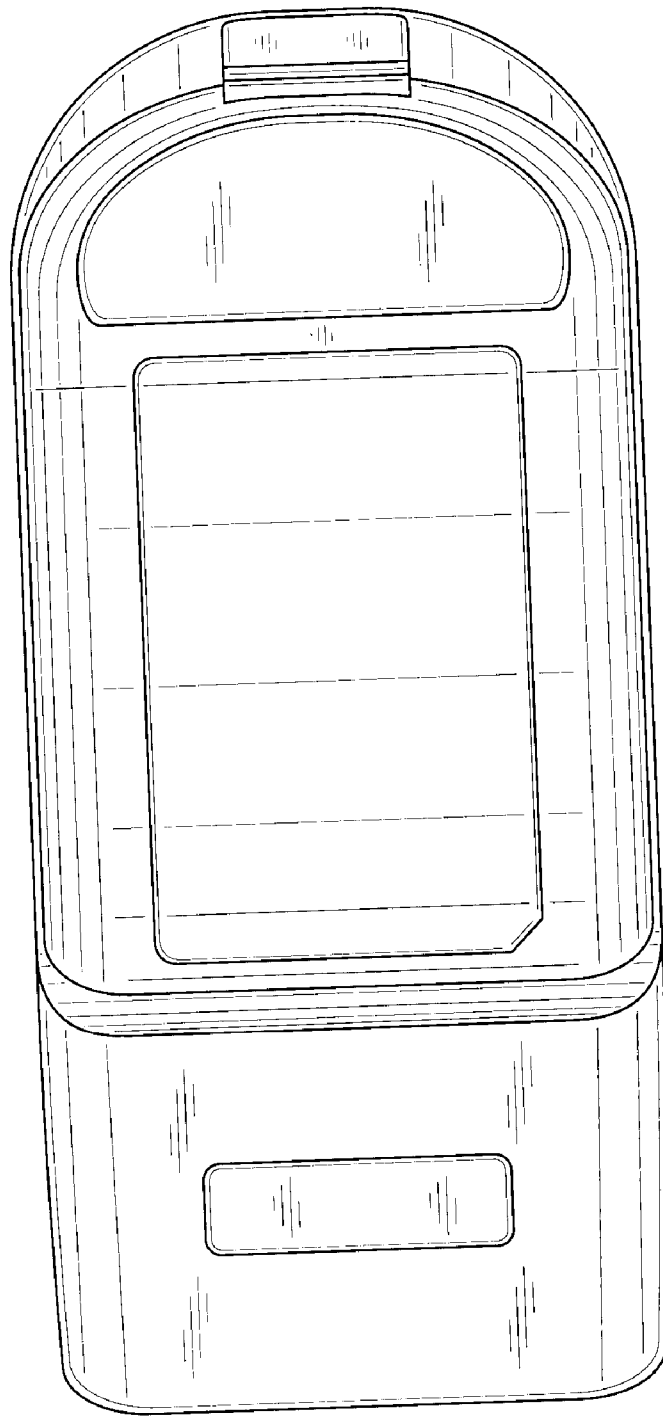


FIG. 3

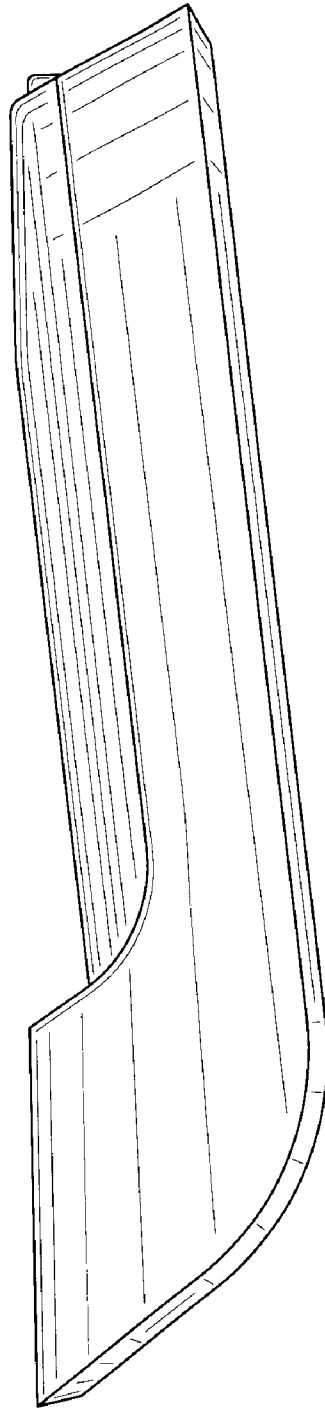


FIG. 4

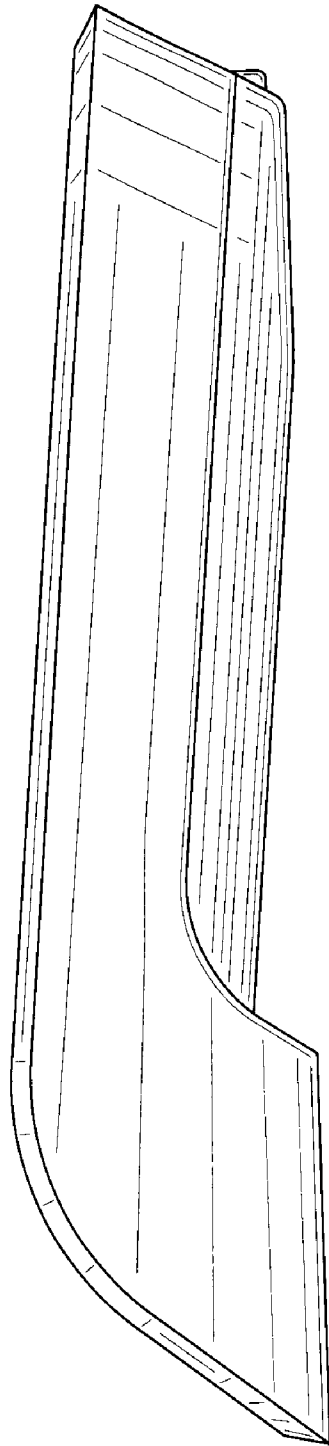


FIG. 5

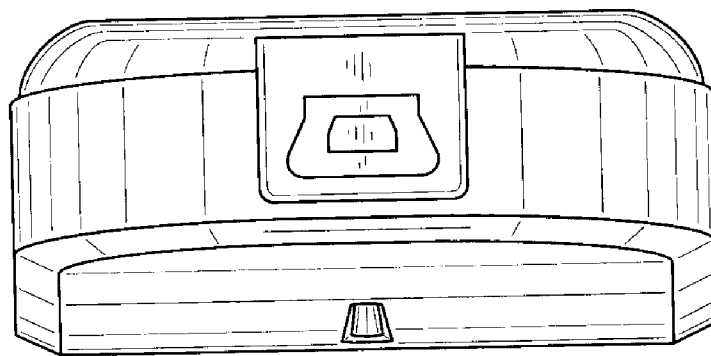
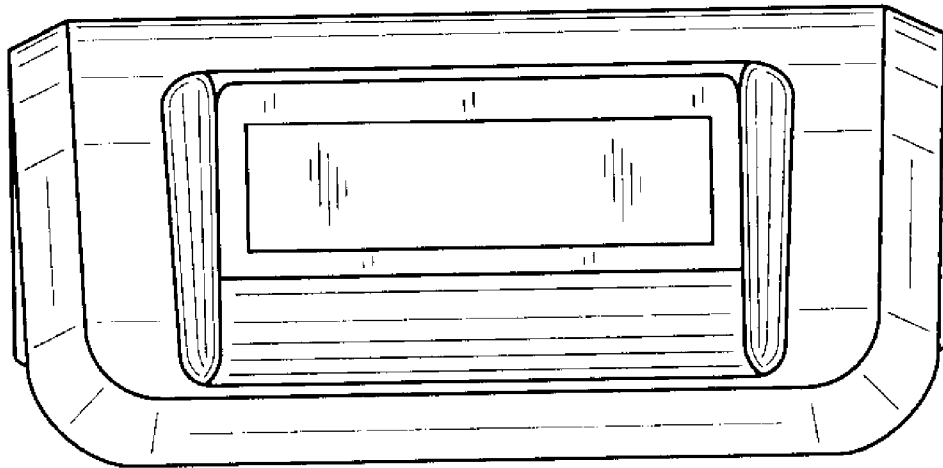


FIG. 6



*FIG. 7*