

(19) World Intellectual Property Organization
International Bureau



(43) International Publication Date
16 October 2003 (16.10.2003)

PCT

(10) International Publication Number
WO 2003/085184 A3

(51) International Patent Classification⁷: D04H 5/02

(21) International Application Number:
PCT/US2003/009401

(22) International Filing Date: 27 March 2003 (27.03.2003)

(25) Filing Language: English

(26) Publication Language: English

(30) Priority Data:
60/370,298 5 April 2002 (05.04.2002) US

(71) Applicant: POLYMER GROUP, INC. [US/US]; 4838
Jenkins Avenue, North Charleston, SC 29406 (US).

(72) Inventors: RIVERA, Miguel; 958 North Main Street,
 Mooresville, NC 28115 (US). MOODY, Ralph, A., III;
 121 Currituck Court, Mooresville, NC 28117 (US). PUT-
 NAM, Michael, J.; 7105 Niblick Court, Fuquay-Varina,
 NC 27526 (US).

(74) Agent: GEIMER, Stephen, D.; Wood, Phillips, Katz,
 Clark & Mortimer, 500 West Madison Street, Suite 3800,
 Chicago, IL 60666-2511 (US).

(81) Designated States (national): AE, AG, AL, AM, AT, AU,
 AZ, BA, BB, BG, BR, BY, BZ, CA, CH, CN, CO, CR, CU,
 CZ, DE, DK, DM, DZ, EC, EE, ES, FI, GB, GD, GE, GH,
 GM, HR, HU, ID, IL, IN, IS, JP, KE, KG, KP, KR, KZ, LC,
 LK, LR, LS, LT, LU, LV, MA, MD, MG, MK, MN, MW,
 MX, MZ, NO, NZ, OM, PH, PL, PT, RO, RU, SC, SD, SE,
 SG, SK, SL, TJ, TM, TN, TR, TT, TZ, UA, UG, UZ, VC,
 VN, YU, ZA, ZM, ZW.

(84) Designated States (regional): ARIPO patent (GH, GM,
 KE, LS, MW, MZ, SD, SL, SZ, TZ, UG, ZM, ZW),
 Eurasian patent (AM, AZ, BY, KG, KZ, MD, RU, TJ, TM),
 European patent (AT, BE, BG, CH, CY, CZ, DE, DK, EE,
 ES, FI, FR, GB, GR, HU, IE, IT, LU, MC, NL, PT, RO,
 SE, SI, SK, TR), OAPI patent (BF, BJ, CF, CG, CI, CM,
 GA, GN, GQ, GW, ML, MR, NE, SN, TD, TG).

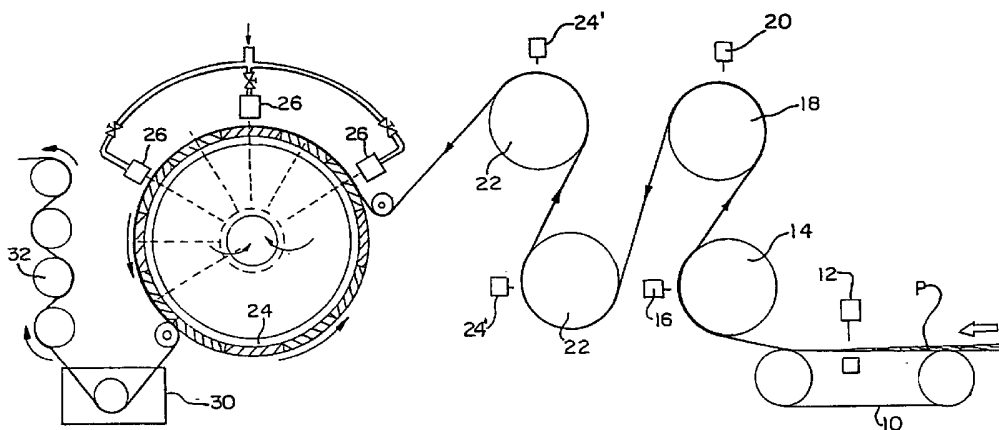
Published:

- with international search report
- before the expiration of the time limit for amending the claims and to be republished in the event of receipt of amendments

(88) Date of publication of the international search report:
19 February 2004

For two-letter codes and other abbreviations, refer to the "Guidance Notes on Codes and Abbreviations" appearing at the beginning of each regular issue of the PCT Gazette.

(54) Title: TWO-SIDED NONWOVEN FABRICS HAVING A THREE-DIMENSIONAL IMAGE



(57) Abstract: The present invention is directed to a method of forming a two-sided nonwoven fabric, which exhibits a pronounced three-dimensional image that is durable to both converting and end-use application. In particular, the present invention contemplates that a fabric is formed from a first precursor web (P) comprising a first fibrous matrix and a second precursor web (P) comprising a second fibrous matrix. Between the first and second precursor web, a fluid-pervious support layer or scrim is interposed and subjected to hydroentanglement on a moveable imaging surface having a three-dimensional image transfer device (24). By formation of a nonwoven fabric in this fashion, a three-dimensional image that is durable to abrasion and distortion due to elongation is imparted and a product formed which exhibits on its opposite surfaces the unique properties of the respective fibrous matrix used.

WO 2003/085184 A3

INTERNATIONAL SEARCH REPORT

International application No.

PCT/US03/09401

A. CLASSIFICATION OF SUBJECT MATTER

IPC(7) : D04H 5/02
 US CL : 28/104

According to International Patent Classification (IPC) or to both national classification and IPC

B. FIELDS SEARCHED

Minimum documentation searched (classification system followed by classification symbols)
 U.S. : 28/104, 105, 106, 167; 442/387, 389, 408

Documentation searched other than minimum documentation to the extent that such documents are included in the fields searched

Electronic data base consulted during the international search (name of data base and, where practicable, search terms used)

C. DOCUMENTS CONSIDERED TO BE RELEVANT

Category *	Citation of document, with indication, where appropriate, of the relevant passages	Relevant to claim No.
X	US 2002/0034914 A1 (DE LEON et al) 21 March 2002, paragraphs 0027-0033.	1-8
A	US 3,485,706 A (EVANS) 23 December 1969	1-8
A	US 4,145,468 A (MIZOGUCHI et al) 20 March 1979	1-8
A	US 6,063,717 A (ISHIYAMA et al) 16 May 2000	1-8
A	US 6,314,627 B1 (NGAI) 13 November 2001	1-8

Further documents are listed in the continuation of Box C.

See patent family annex.

* Special categories of cited documents:	
"A" document defining the general state of the art which is not considered to be of particular relevance	"T" later document published after the international filing date or priority date and not in conflict with the application but cited to understand the principle or theory underlying the invention
"E" earlier application or patent published on or after the international filing date	"X" document of particular relevance; the claimed invention cannot be considered novel or cannot be considered to involve an inventive step when the document is taken alone
"L" document which may throw doubts on priority claim(s) or which is cited to establish the publication date of another citation or other special reason (as specified)	"Y" document of particular relevance; the claimed invention cannot be considered to involve an inventive step when the document is combined with one or more other such documents, such combination being obvious to a person skilled in the art
"O" document referring to an oral disclosure, use, exhibition or other means	"&" document member of the same patent family
"P" document published prior to the international filing date but later than the priority date claimed	

Date of the actual completion of the international search

Date of mailing of the international search report

17 November 2003 (17.11.2003)

15 DEC 2003

Name and mailing address of the ISA/US
 Mail Stop PCT, Attn: ISA/US
 Commissioner for Patents
 P.O. Box 1450
 Alexandria, Virginia 22313-1450
 Facsimile No. (703)305-3230

Authorized officer

John Calvert

Telephone No. 308-0858.