



(12) **United States Design Patent**
Lindman et al.

(10) **Patent No.:** **US D779,673 S**
(45) **Date of Patent:** **** Feb. 21, 2017**

- (54) **HANDLE FOR AN ORTHODONTIC INSTRUMENT**
- (71) Applicant: **American Orthodontics Corporation**, Sheboygan, WI (US)
- (72) Inventors: **Julie Lindman**, Plymouth, WI (US); **Gordon Lawrence**, Sheboygan, WI (US)
- (73) Assignee: **American Orthodontics Corporation**, Sheboygan, WI (US)

2,944,341 A	7/1960	Lane	
2,985,962 A *	5/1961	Shiner	A61C 7/04 433/4
3,132,550 A	5/1964	Frederick	
D208,009 S	6/1967	Hearrell	
4,035,917 A *	7/1977	Roberts	A61C 3/10 433/145
5,395,236 A *	3/1995	Khouri	A61C 7/04 140/106
6,474,988 B1	11/2002	Georgakis et al.	
6,984,126 B1	1/2006	Graham	
7,128,575 B1	10/2006	Sohn	
7,182,595 B2	2/2007	Smith et al.	

(**) Term: **15 Years**

(21) Appl. No.: **29/548,286**

(22) Filed: **Dec. 11, 2015**

Related U.S. Application Data

(62) Division of application No. 29/503,549, filed on Sep. 26, 2014, now Pat. No. Des. 748,261.

(51) **LOC (10) Cl.** **24-02**

(52) **U.S. Cl.**
USPC **D24/153**

(58) **Field of Classification Search**
USPC D24/147-178; D8/52, 54-56
CPC A61C 7/02; A61C 7/04; A61C 7/023;
A61C 7/146; A61C 3/00; A61C
3/10; A61C 3/14; A61C 3/16; B25B 7/00;
B25B 7/02; B25B 7/04; B25B 7/10
See application file for complete search history.

(56) **References Cited**

U.S. PATENT DOCUMENTS

536,166 A *	3/1895	Angle	A61C 7/04 433/4
1,626,226 A	4/1927	Osias	
1,850,268 A	3/1932	Kulp et al.	

(Continued)
Primary Examiner — Wan Laymon
(74) *Attorney, Agent, or Firm* — Andrus Intellectual Property Law, LLP

(57) **CLAIM**

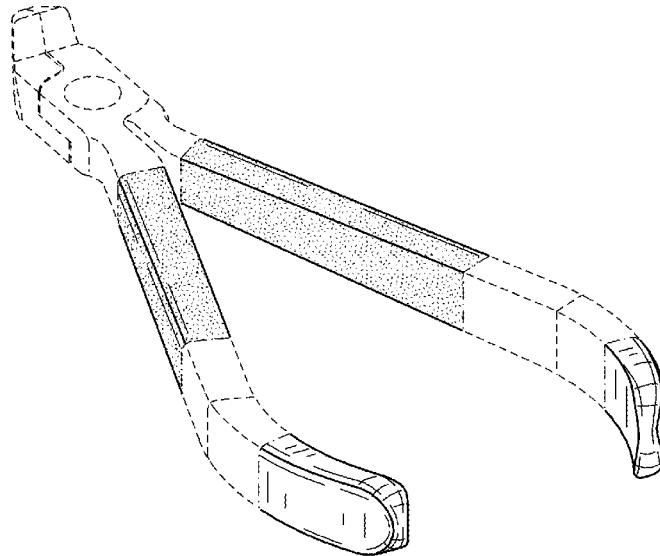
The ornamental design for a handle for an orthodontic instrument, as shown and described.

DESCRIPTION

FIG. 1 is a perspective view of an embodiment of a handle for an orthodontic instrument; FIG. 2 is a front view thereof; FIG. 3 is a back view thereof; FIG. 4 is a left side view thereof; FIG. 5 is a top view thereof; FIG. 6 is a right side view thereof; and, FIG. 7 is a bottom view thereof.

The dash-dot-dash broken lines illustrates the bounds of the claim. The broken lines showing of various portions, other elements in the Figures are for the purpose of illustrating unclaimed portions and form no part of the claimed design. The claimed design includes two surface textures, namely, polished and brushed surface textures with the stippling indicating a brush surface texture.

1 Claim, 3 Drawing Sheets



(56)

References Cited

U.S. PATENT DOCUMENTS

7,549,860	B2	6/2009	Soo et al.	
7,722,353	B2	5/2010	Graham	
D690,010	S	9/2013	Lim	
D715,438	S *	10/2014	Hiro	D24/153
2013/0273489	A1 *	10/2013	De Menezes	A61C 7/04 433/4

* cited by examiner

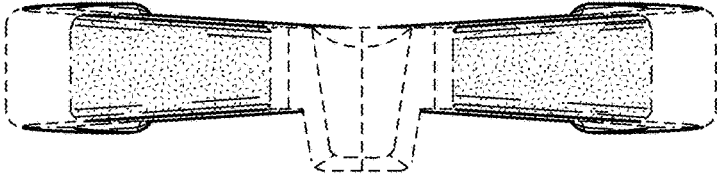
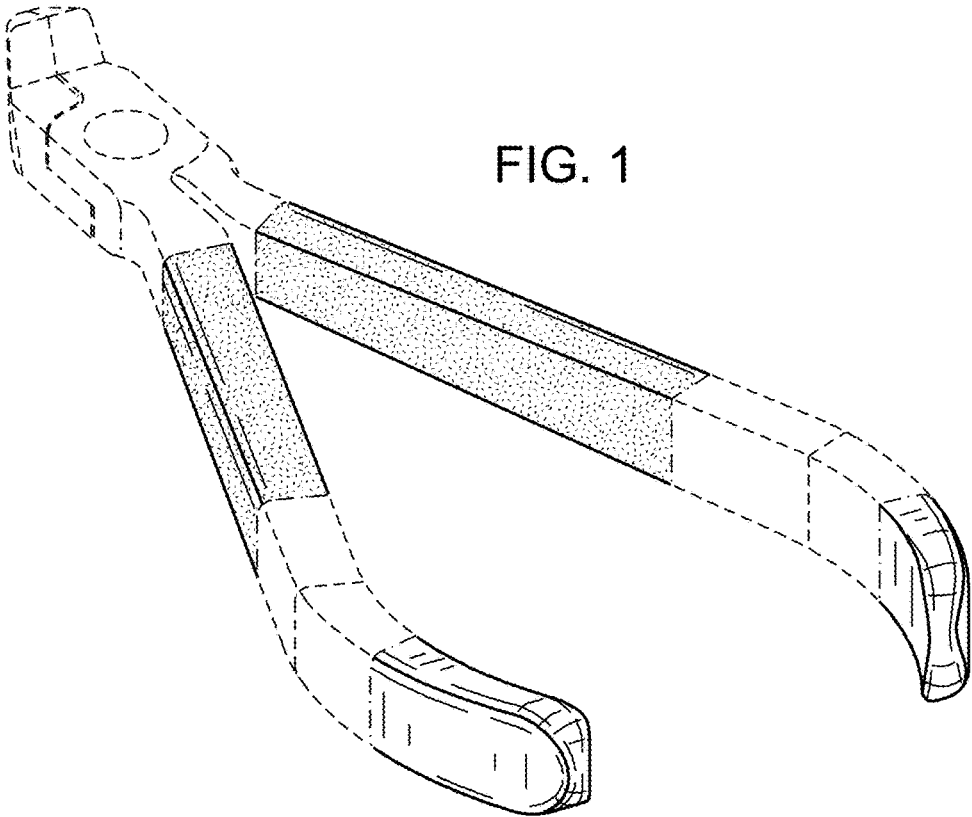


FIG. 2

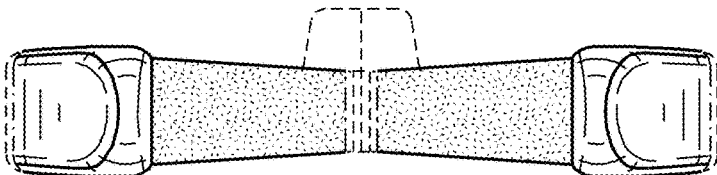


FIG. 3

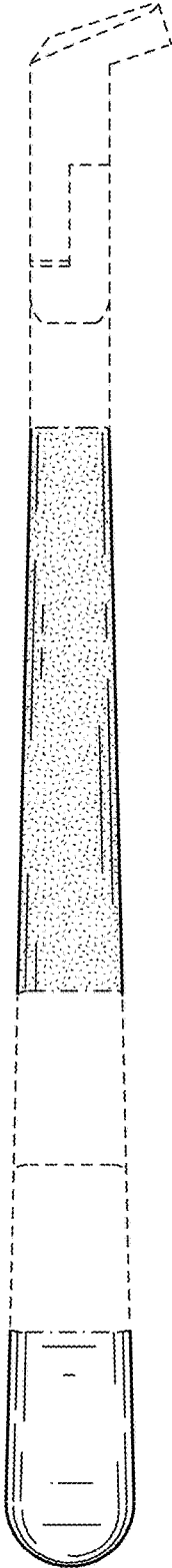


FIG. 4

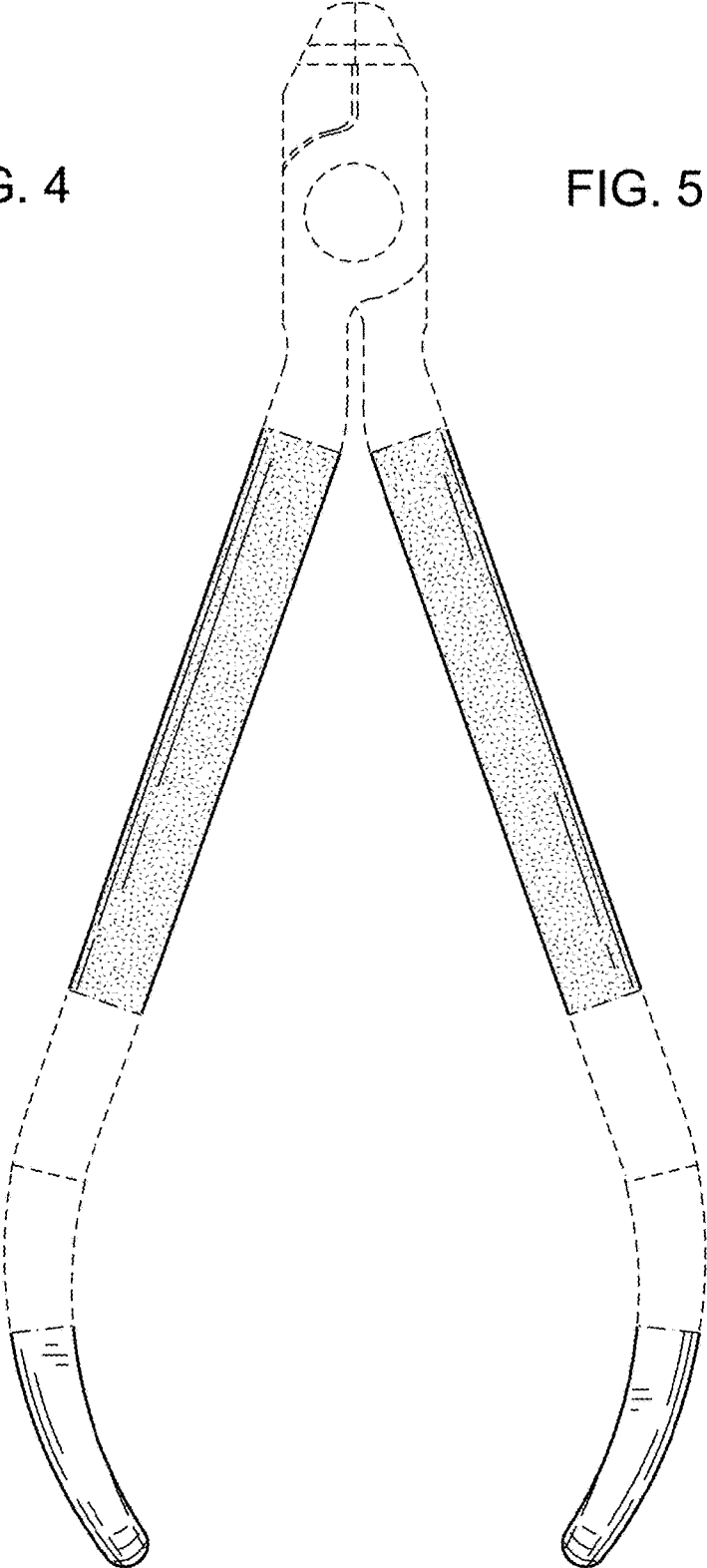


FIG. 5

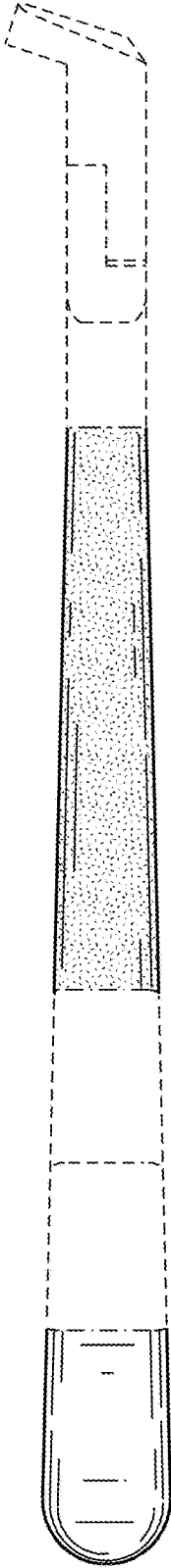


FIG. 6

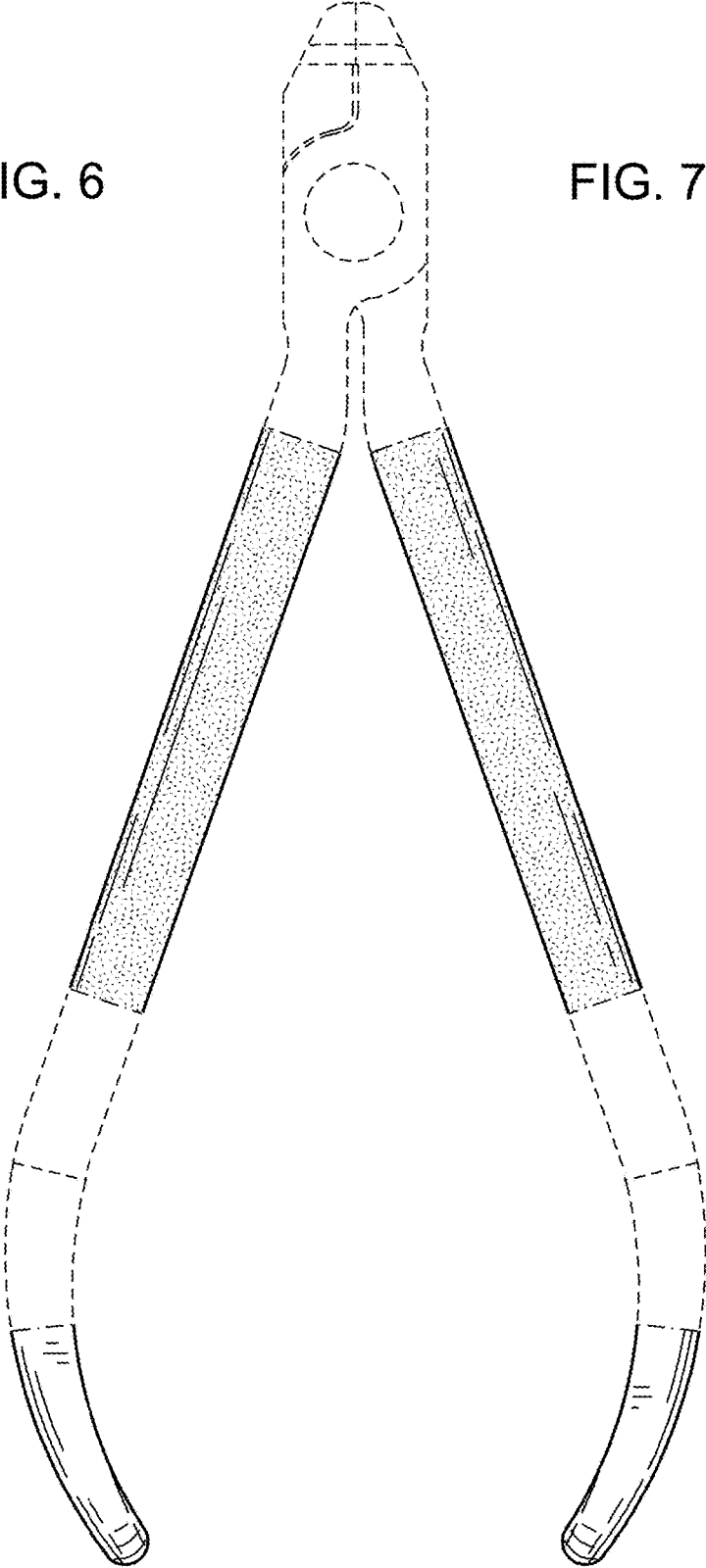


FIG. 7