



US00D720296S

(12) **United States Design Patent**  
**Charnis**

(10) **Patent No.:** **US D720,296 S**

(45) **Date of Patent:** **\*\* Dec. 30, 2014**

(54) **CAR ADAPTER**

(71) Applicant: **Amir G. Charnis**, Los Angeles, CA  
(US)

(72) Inventor: **Amir G. Charnis**, Los Angeles, CA  
(US)

(\*\*) Term: **14 Years**

(21) Appl. No.: **29/475,941**

(22) Filed: **Dec. 9, 2013**

(51) **LOC (10) Cl.** ..... **13-03**

(52) **U.S. Cl.**  
USPC ..... **D13/144**

(58) **Field of Classification Search**  
USPC ..... D13/144, 101, 107, 108, 110, 118, 119,  
D13/133, 184, 199; D14/155, 432, 433,  
D14/434, 435.1, 356, 480.1, 480.6, 480.7;  
320/107, 108, 109, 110, 111, 112, 113,  
320/114, 115; 439/300, 620.01, 638, 668,  
439/669, 675, 825; 363/146

See application file for complete search history.

(56) **References Cited**

**U.S. PATENT DOCUMENTS**

D314,178 S \* 1/1991 Reber ..... D13/144  
D474,448 S \* 5/2003 Bosch ..... D13/144

D505,389 S \* 5/2005 Chang ..... D13/107  
D557,658 S \* 12/2007 Ledbetter et al. .... D13/108  
D585,375 S \* 1/2009 Andre et al. .... D13/133  
D604,699 S \* 11/2009 Yamamoto ..... D13/144  
D618,618 S \* 6/2010 Lee et al. .... D13/144  
D632,653 S \* 2/2011 Wikel et al. .... D13/144  
D653,216 S \* 1/2012 Cheng ..... D13/144

\* cited by examiner

*Primary Examiner* — Derrick Holland

(57) **CLAIM**

The ornamental design for a car adapter, as shown and described.

**DESCRIPTION**

FIG. 1 is a perspective view of a car adapter showing my new design;

FIG. 2 is a front elevation view of the car adapter;

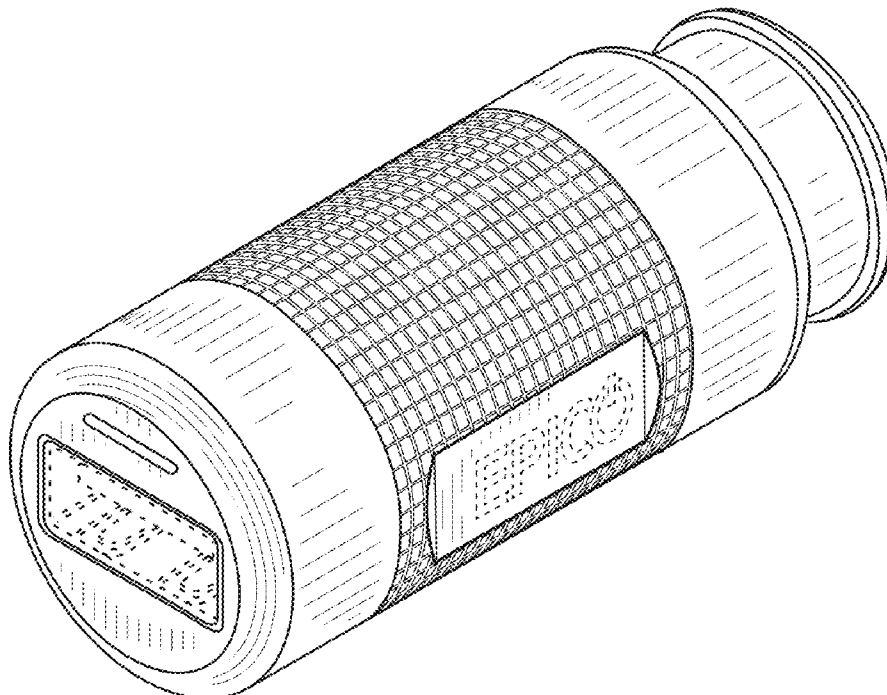
FIG. 3 is a rear elevation view of the car adapter;

FIG. 4 is a left side elevation view of the car adapter; the right elevation view being a mirror image thereof; and,

FIG. 5 is a top plan view of the car adapter; the bottom plan being a mirror image thereof.

The broken lines shown represent unclaimed subject matter and form no part of the claimed design.

**1 Claim, 2 Drawing Sheets**



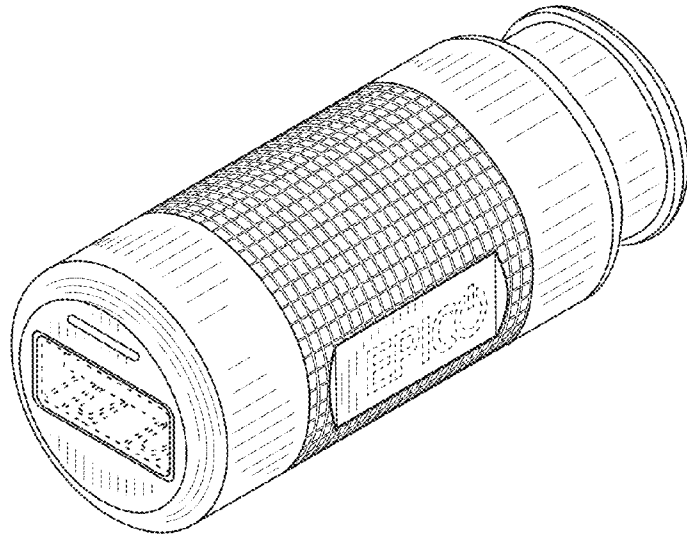


FIG. 1

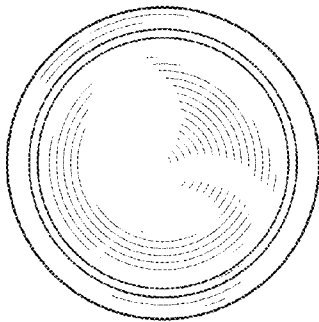


FIG. 2

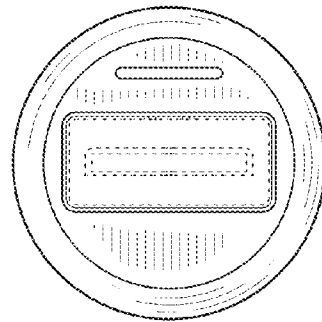


FIG. 3

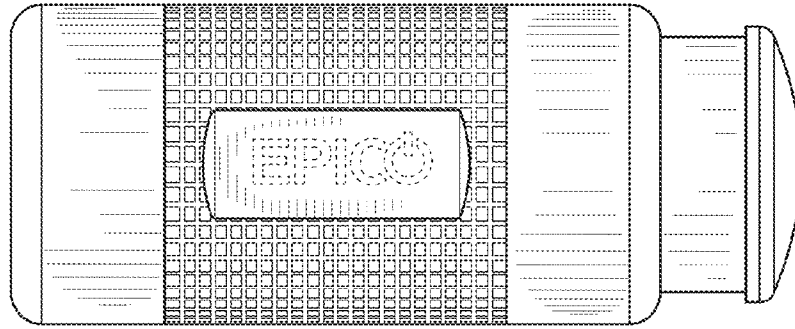


FIG. 4

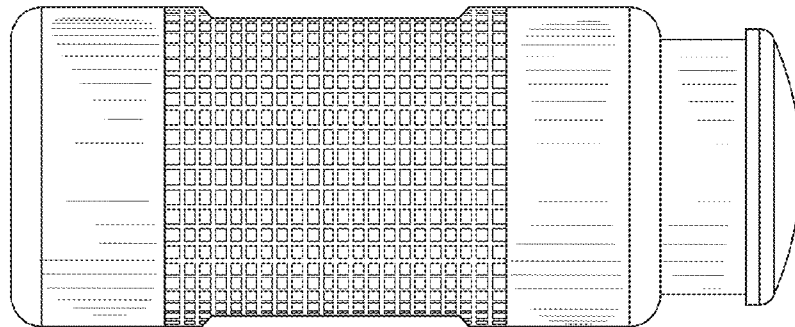


FIG. 5