



US00D735518S

(12) **United States Design Patent**  
**De'Longhi et al.**

(10) **Patent No.:** **US D735,518 S**

(45) **Date of Patent:** **\*\* Aug. 4, 2015**

(54) **COFFEE MAKER**

(71) Applicant: **De'Longhi Appliances S.R.L. Con Unico Socio**, Treviso (IT)

(72) Inventors: **Giuseppe De'Longhi**, Treviso (IT); **Marco Vaona**, Mestre (IT)

(73) Assignee: **De'Longhi Appliances, S.R.L. Con Unico Socio**, Treviso (IT)

(\*\*) Term: **14 Years**

(21) Appl. No.: **29/486,811**

(22) Filed: **Apr. 2, 2014**

(30) **Foreign Application Priority Data**

Oct. 17, 2013 (EM) ..... 2328757-0003

(51) **LOC (10) CL.** ..... **07-01**

(52) **U.S. Cl.**  
USPC ..... **D7/309; D7/311**

(58) **Field of Classification Search**  
USPC ..... D7/309-311, 306-308, 300, 397, 305;  
99/293, 323.1, 279, 289 R, 291;  
D6/544; 222/105, 185.1  
CPC ..... B67D 3/00; A47J 31/00  
See application file for complete search history.

(56) **References Cited**

**U.S. PATENT DOCUMENTS**

D481,580 S *	11/2003	Daniels et al.	.....	D7/309
D486,345 S *	2/2004	Schwamkrug	.....	D7/309
D523,279 S *	6/2006	Zemp	.....	D7/309
D584,096 S *	1/2009	Lutz	.....	D7/307
D586,604 S *	2/2009	Buttler	.....	D7/309
D587,511 S *	3/2009	Buttler	.....	D7/309
D595,991 S *	7/2009	Zimmerman	.....	D7/307

D610,389 S *	2/2010	Borin et al.	.....	D7/309
D642,415 S *	8/2011	Novelli	.....	D7/309
D645,289 S *	9/2011	Lenzi	.....	D7/309
D645,695 S *	9/2011	Zoppellari	.....	D7/309
D646,109 S *	10/2011	Zoppellari	.....	D7/309
D646,518 S *	10/2011	De' Longhi	.....	D7/309
D648,972 S *	11/2011	Buttler	.....	D7/309
D648,973 S *	11/2011	De' Longhi	.....	D7/309
D663,566 S *	7/2012	Feder	.....	D7/309
D665,218 S *	8/2012	Iseli	.....	D7/309
D670,131 S *	11/2012	Feder	.....	D7/309
D672,999 S *	12/2012	De' Longhi	.....	D7/309
D675,054 S *	1/2013	Agostini et al.	.....	D7/309
D701,071 S *	3/2014	Buttler	.....	D7/306
D717,091 S *	11/2014	Suzuki et al.	.....	D7/309
D717,911 S *	11/2014	Moon et al.	.....	D23/207
D718,413 S *	11/2014	Choi	.....	D23/207
D719,391 S *	12/2014	De Pra	.....	D7/309
D719,392 S *	12/2014	De Pra	.....	D7/309
D719,393 S *	12/2014	De Pra	.....	D7/309
2011/0126718 A1 *	6/2011	Meuer	.....	99/323.1
2011/0222561 A1 *	9/2011	Alley et al.	.....	370/503

\* cited by examiner

*Primary Examiner* — Marianne Pandozzi  
(74) *Attorney, Agent, or Firm* — Flaster/Greenberg P.C.

(57) **CLAIM**  
The ornamental design for a coffee maker, as shown and described.

**DESCRIPTION**

FIG. 1 is a perspective view of a coffee maker;  
FIG. 2 is a front view of the coffee maker of FIG. 1;  
FIG. 3 is a back view of the coffee maker of FIG. 1;  
FIG. 4 is a right side view of the coffee maker of FIG. 1;  
FIG. 5 is a left side view of the coffee maker of FIG. 1;  
FIG. 6 is a top plan view of the coffee maker of FIG. 1; and,  
FIG. 7 is a bottom, plan view of the coffee maker of FIG. 1.

**1 Claim, 7 Drawing Sheets**

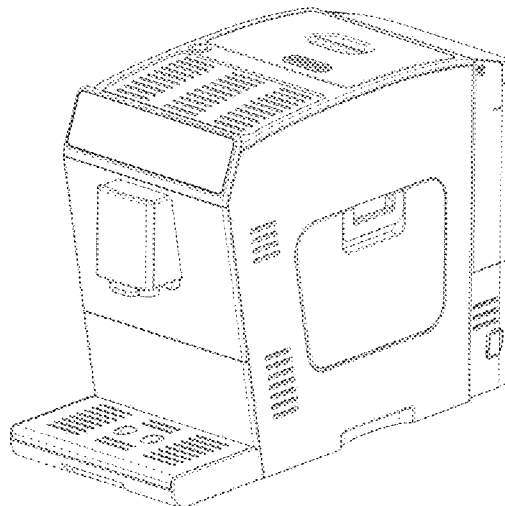


FIG. 1

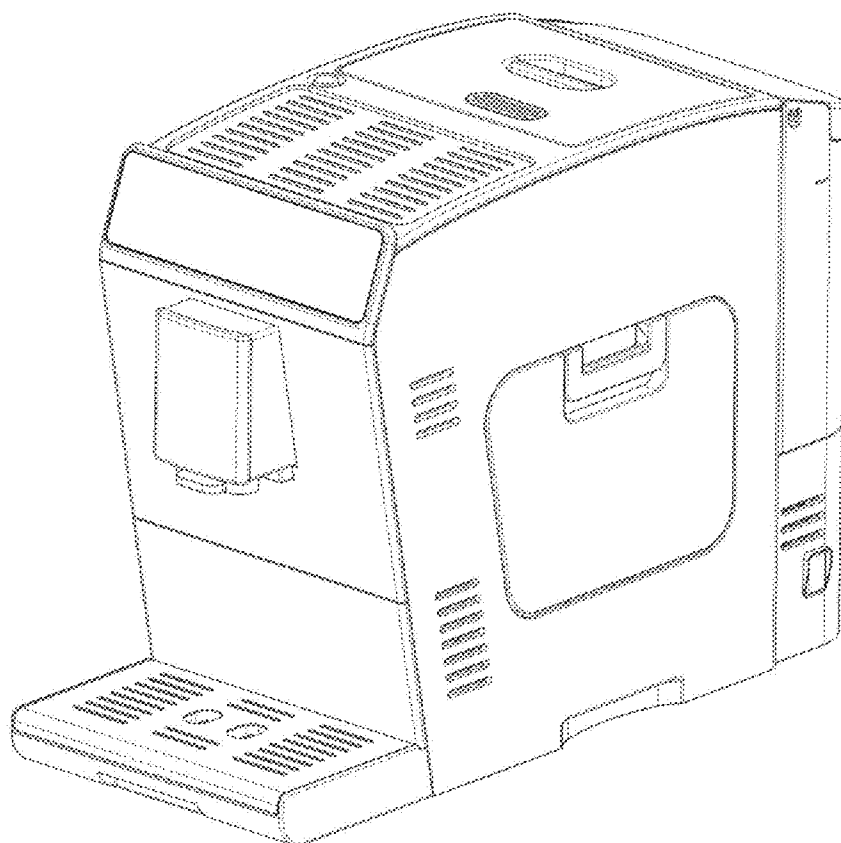


FIG. 2

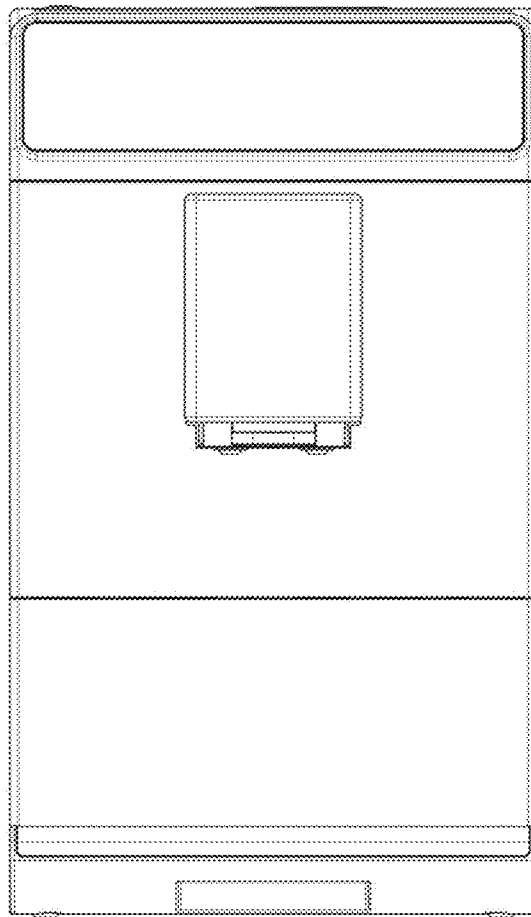


FIG. 3

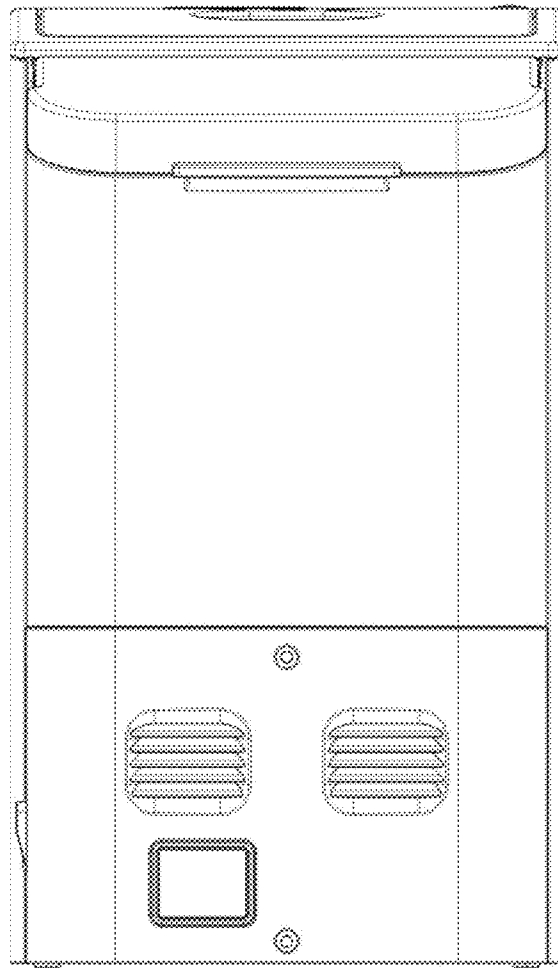


FIG. 4

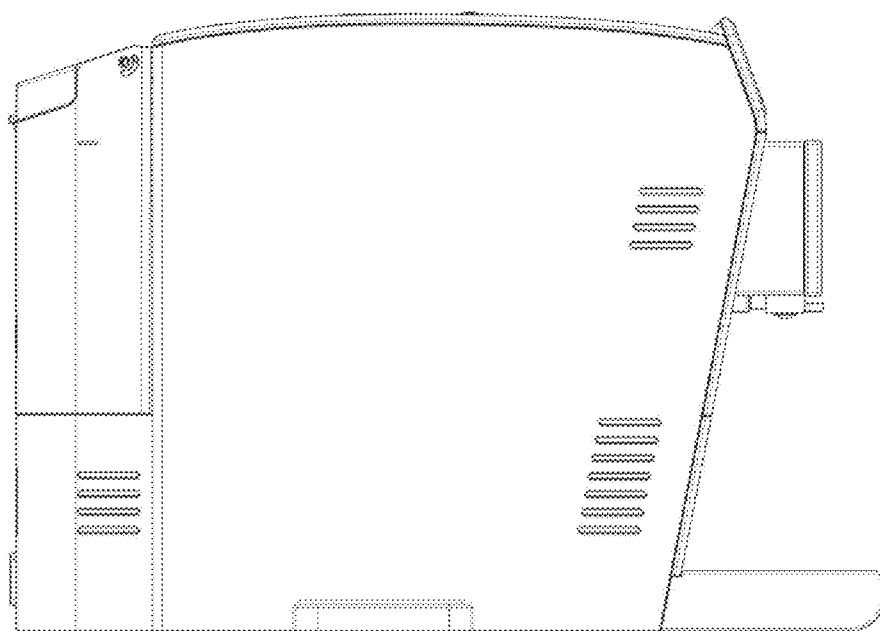


FIG. 5

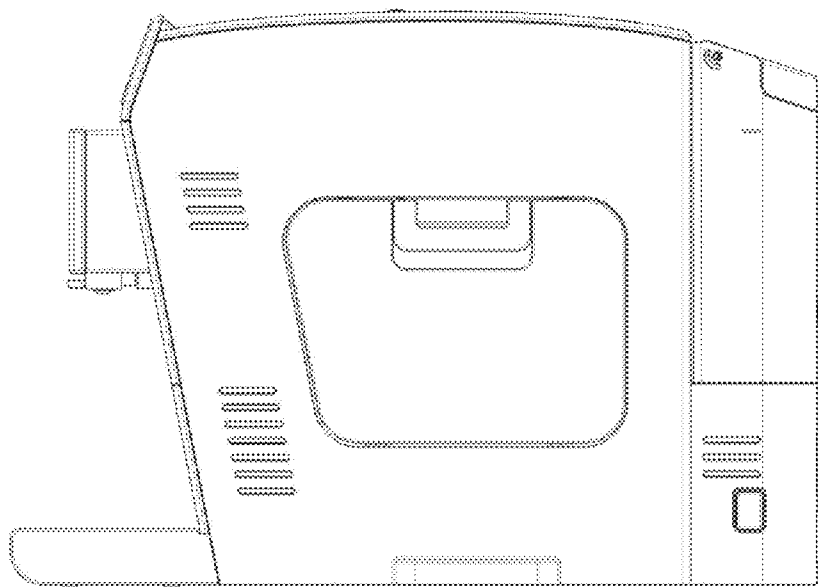


FIG. 6

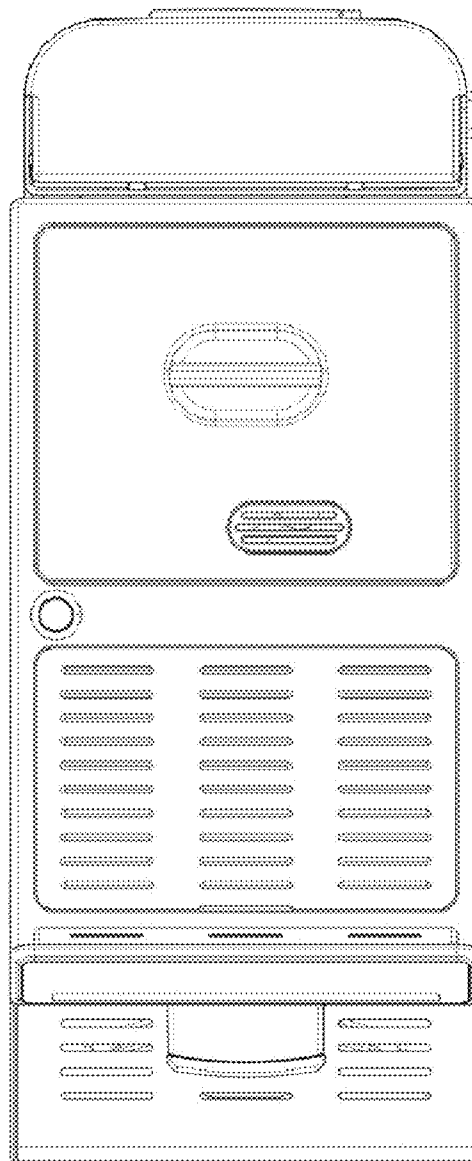


FIG. 7

