



US00D620397S

(12) **United States Design Patent**
Abdallah

(10) **Patent No.:** **US D620,397 S**

(45) **Date of Patent:** **** Jul. 27, 2010**

(54) **AUTOMOBILE**

Primary Examiner—Melody N Brown

(74) *Attorney, Agent, or Firm*—Quinn Law Group, PLLC

(76) Inventor: **Bassam Abdallah**, 27, rue Robert de
Flers, Paris (FR) 75015

(57) **CLAIM**

(**) Term: **14 Years**

The ornamental design for an automobile, as shown and described.

(21) Appl. No.: **29/334,210**

(22) Filed: **Mar. 23, 2009**

DESCRIPTION

(51) **LOC (9) Cl.** **12-08**

FIG. 1 is a perspective view of an automobile in accordance with my design as viewed from the front left;

(52) **U.S. Cl.** **D12/92**

FIG. 2 is a perspective view of my design as viewed from the left rear;

(58) **Field of Classification Search** D12/86,
D12/90–92; D21/424, 433, 434; 296/181.1,
296/181.5

FIG. 3 is a front elevational view thereof;

See application file for complete search history.

FIG. 4 is a left side view thereof, with the right side view being a substantial mirror image of the left side view; and,

(56) **References Cited**

FIG. 5 is a rear elevational view.

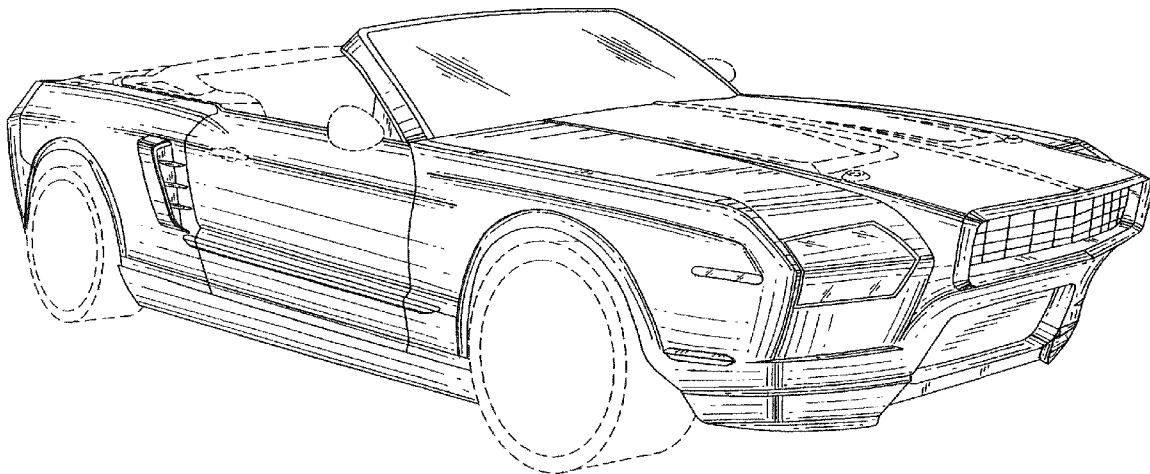
U.S. PATENT DOCUMENTS

The broken lines showing the mirrors, door handles, tires and wheels in FIGS. 1-5 are for illustrative purposes only and form no part of the claimed design.

D543,135 S *	5/2007	Trostle et al.	D12/92
D582,315 S *	12/2008	Fitzgerald	D12/92
D594,783 S *	6/2009	McCoy et al.	D12/92
D597,448 S *	8/2009	Jacob	D12/92

* cited by examiner

1 Claim, 5 Drawing Sheets



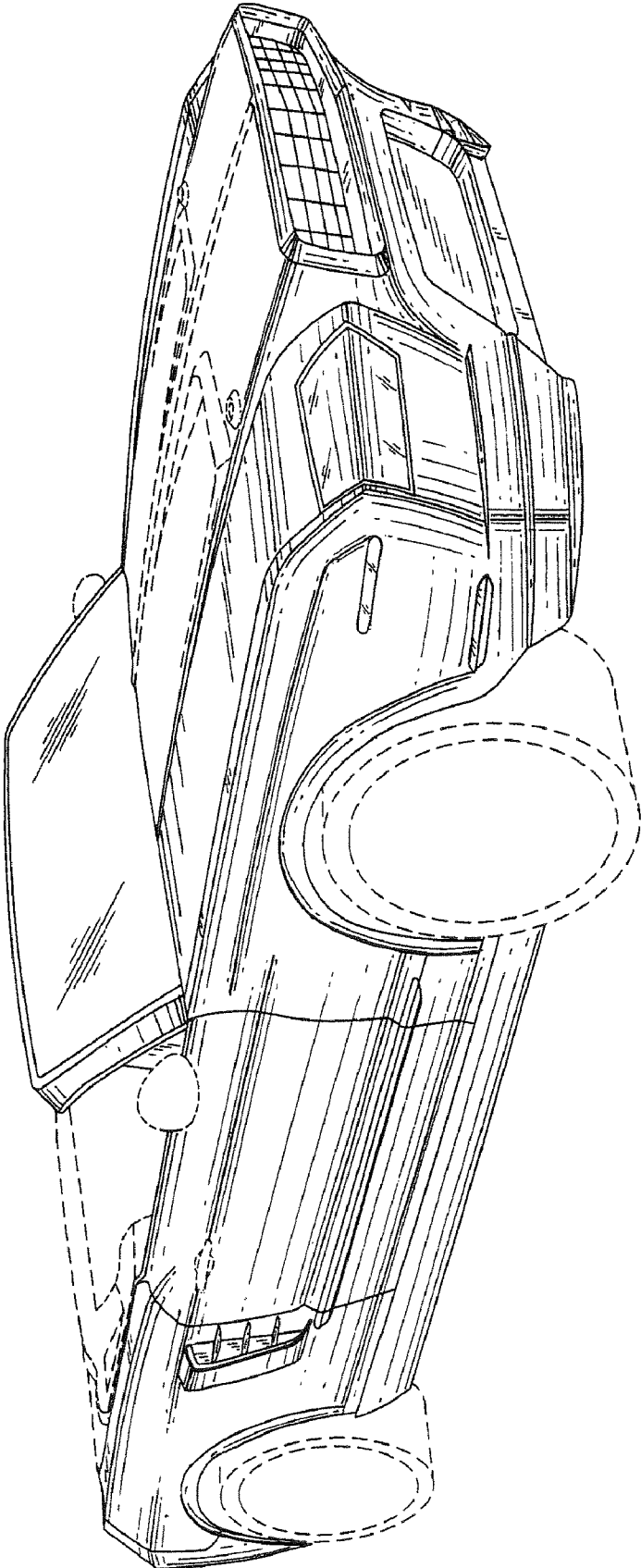


FIG.1

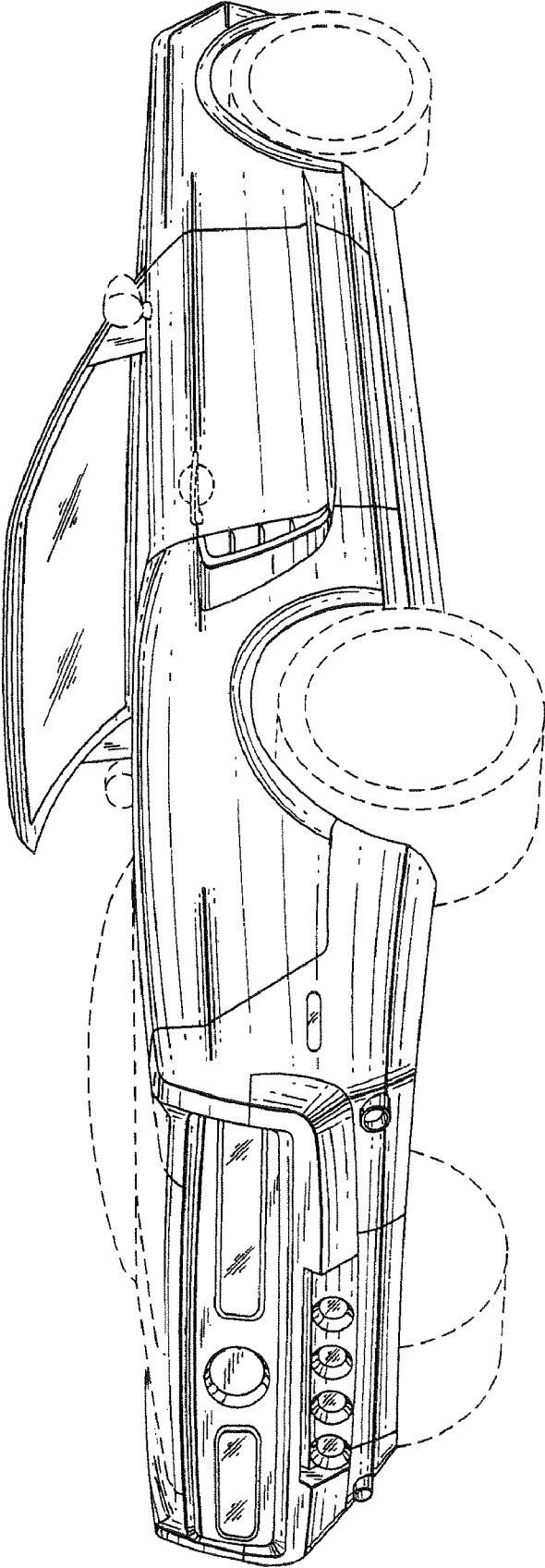


FIG.2

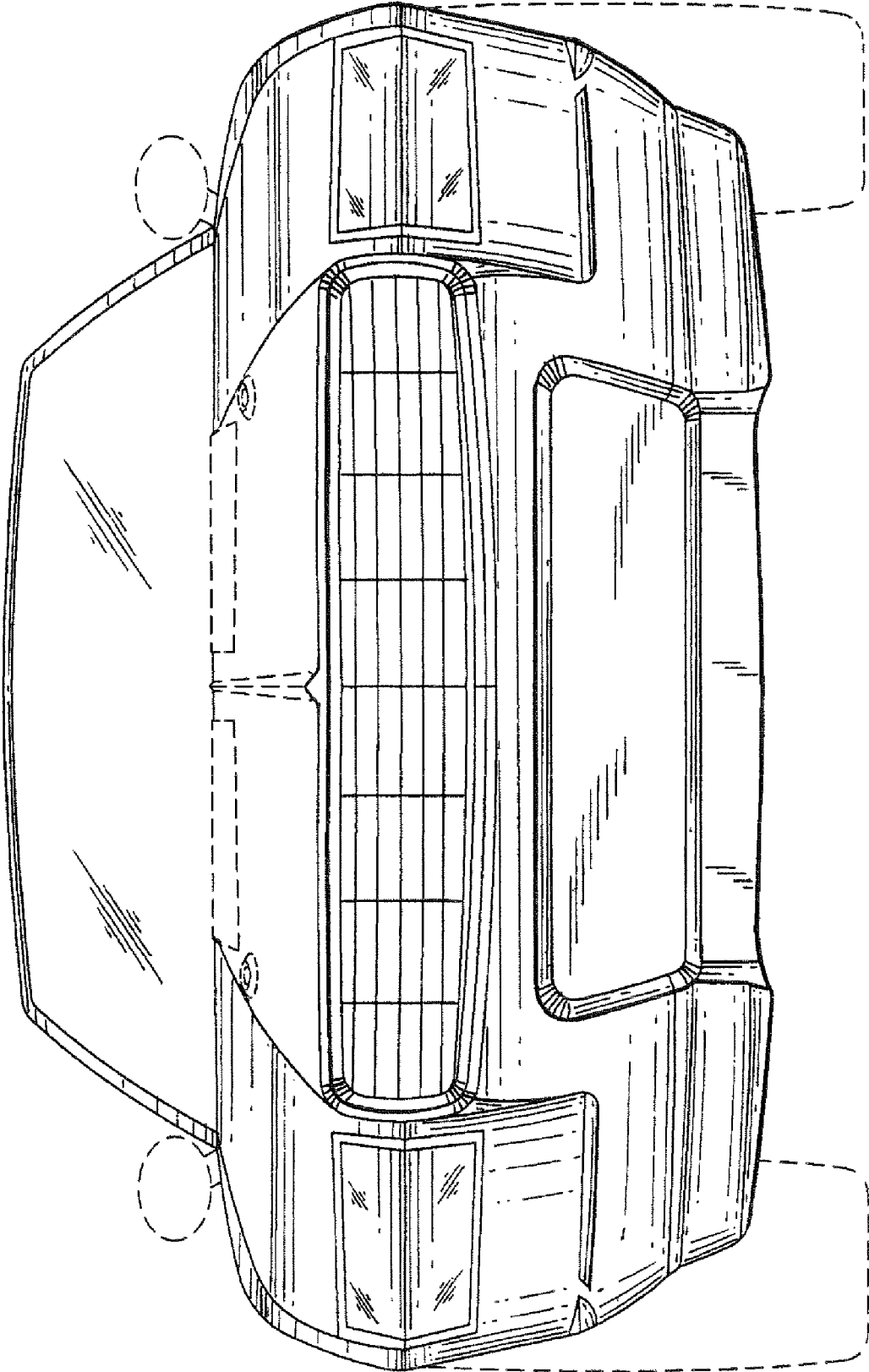


FIG. 3

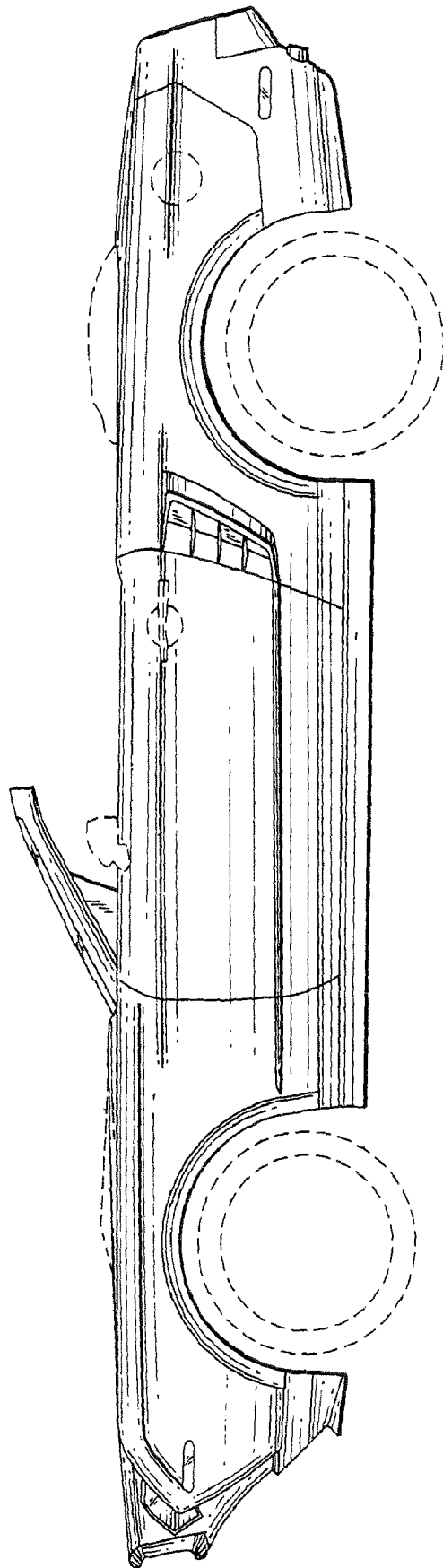


FIG.4

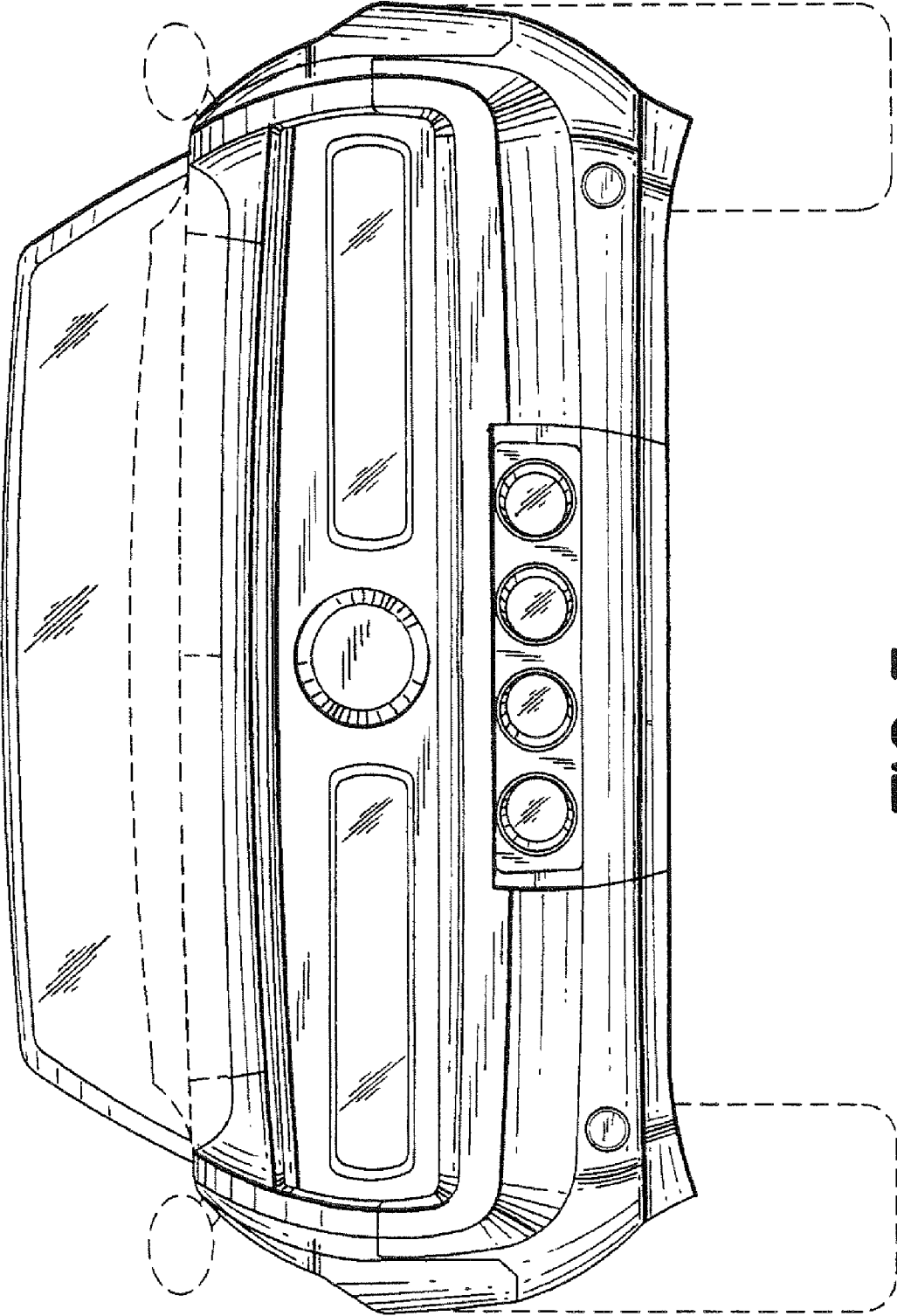


FIG.5