

(19) World Intellectual Property Organization
International Bureau



(43) International Publication Date
12 July 2007 (12.07.2007)

PCT

(10) International Publication Number
WO 2007/079486 A3

(51) International Patent Classification:
G11C 7/00 (2006.01)

(21) International Application Number:
PCT/US2007/060065

(22) International Filing Date: 3 January 2007 (03.01.2007)

(25) Filing Language: English

(26) Publication Language: English

(30) Priority Data:
11/326,157 4 January 2006 (04.01.2006) US

(71) Applicant (for all designated States except US): **NVIDIA CORPORATION** [US/US]; 2701 San Tomas Expressway, Santa Clara, California 95050 (US).

(72) Inventor; and

(75) Inventor/Applicant (for US only): **WAGNER, Berry** [US/US]; 6062 Montoro Rd., San Jose, California 95120 (US).

(74) Agent: **BERKELEY LAW & TECHNOLOGY GROUP, LLP**; 17933 NW Evergreen Parkway, Suite 250, Beaverton, OR 97006 (US).

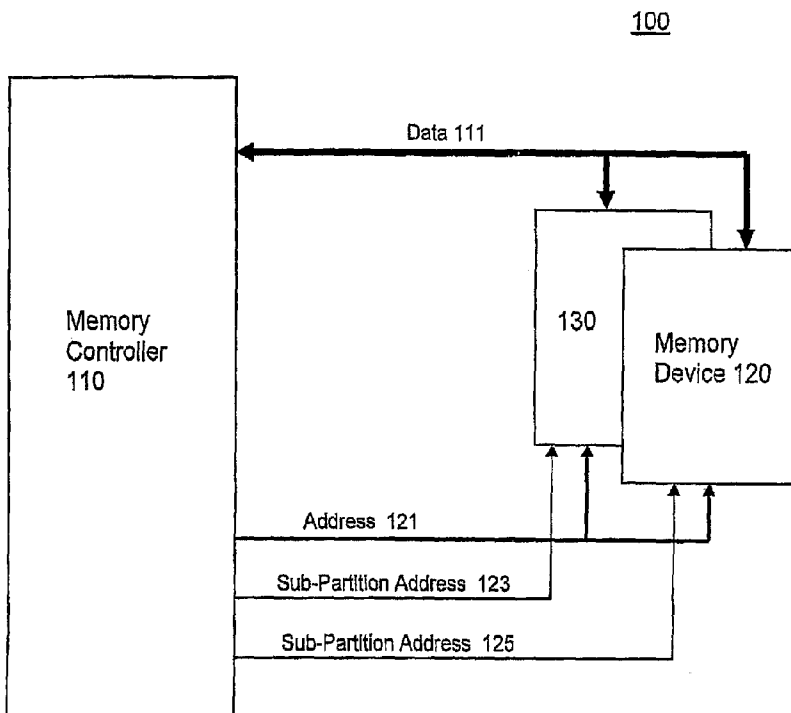
(81) Designated States (unless otherwise indicated, for every kind of national protection available): AE, AG, AL, AM, AT, AU, AZ, BA, BB, BG, BR, BW, BY, BZ, CA, CH, CN, CO, CR, CU, CZ, DE, DK, DM, DZ, EC, EE, EG, ES, FI, GB, GD, GE, GH, GM, GT, HN, HR, HU, ID, IL, IN, IS, JP, KE, KG, KM, KN, KP, KR, KZ, LA, LC, LK, LR, LS, LT, LU, LV, LY, MA, MD, MG, MK, MN, MW, MX, MY, MZ, NA, NG, NI, NO, NZ, OM, PG, PH, PL, PT, RO, RS, RU, SC, SD, SE, SG, SK, SL, SM, SV, SY, TJ, TM, TN, TR, TT, TZ, UA, UG, US, UZ, VC, VN, ZA, ZM, ZW.

(84) Designated States (unless otherwise indicated, for every kind of regional protection available): ARIPO (BW, GH, GM, KE, LS, MW, MZ, NA, SD, SL, SZ, TZ, UG, ZM, ZW), Eurasian (AM, AZ, BY, KG, KZ, MD, RU, TJ, TM), European (AT, BE, BG, CH, CY, CZ, DE, DK, EE, ES, FI, FR, GB, GR, HU, IE, IS, IT, LT, LU, LV, MC, NL, PL, PT, RO, SE, SI, SK, TR), OAPI (BF, BJ, CF, CG, CI, CM, GA, GN, GQ, GW, ML, MR, NE, SN, TD, TG).

Published:
— with international search report

(88) Date of publication of the international search report:
7 May 2009

(54) Title: MEMORY DEVICE ROW AND/OR COLUMN ACCESS EFFICIENCY



(57) Abstract: Embodiments for retrieving data from memory devices using sub-partitioned addresses are disclosed.

WO 2007/079486 A3

INTERNATIONAL SEARCH REPORT

International application No.

PCT/US07/60065

A. CLASSIFICATION OF SUBJECT MATTER
 IPC: **G11C 7/00(2006.01)**

USPC: 365/240
 According to International Patent Classification (IPC) or to both national classification and IPC

B. FIELDS SEARCHED

Minimum documentation searched (classification system followed by classification symbols)
 U.S. : 365/240

Documentation searched other than minimum documentation to the extent that such documents are included in the fields searched

Electronic data base consulted during the international search (name of data base and, where practicable, search terms used)
 WEST

C. DOCUMENTS CONSIDERED TO BE RELEVANT

Category *	Citation of document, with indication, where appropriate, of the relevant passages	Relevant to claim No.
X --- Y	US 2003/0182513 A1 (DODD et al) 25 September 2003 (25.09.2003), see entire document.	1-2, 8-10, 16-17 ----- 3-6,11-14, 18-19
Y	US 2002/0093870A1 (NODA et al) 18 July 2002 (18.07.2002), see entire document.	1-19

Further documents are listed in the continuation of Box C. See patent family annex.

* Special categories of cited documents:	
"A" document defining the general state of the art which is not considered to be of particular relevance	"T" later document published after the international filing date or priority date and not in conflict with the application but cited to understand the principle or theory underlying the invention
"E" earlier application or patent published on or after the international filing date	"X" document of particular relevance; the claimed invention cannot be considered novel or cannot be considered to involve an inventive step when the document is taken alone
"L" document which may throw doubts on priority claim(s) or which is cited to establish the publication date of another citation or other special reason (as specified)	"Y" document of particular relevance; the claimed invention cannot be considered to involve an inventive step when the document is combined with one or more other such documents, such combination being obvious to a person skilled in the art
"O" document referring to an oral disclosure, use, exhibition or other means	"&" document member of the same patent family
"P" document published prior to the international filing date but later than the priority date claimed	

Date of the actual completion of the international search: 04 September 2008 (04.09.2008)
 Date of mailing of the international search report: 22 SEP 2008

Name and mailing address of the ISA/US Mail Stop PCT, Attn: ISA/US Commissioner for Patents P.O. Box 1450 Alexandria, Virginia 22313-1450 Facsimile No. (571) 273-3201	Authorized officer <i>Valerie Bell-Harris</i> Marianne Seidel Telephone No. (571) 272-1600 <i>MS</i>
---	--