



US00D385337S

**United States Patent** [19]  
**Spurgeon et al.**

[11] **Patent Number:** **Des. 385,337**  
[45] **Date of Patent:** **\*\*Oct. 21, 1997**

[54] **FAUCET SPOUT**

[75] **Inventors:** **Gordon L. Spurgeon, Conway, S.C.;**  
**Paul Kolada, Bexley, Ohio**

[73] **Assignee:** **Wolverine Brass, Conway, S.C.**

[\*\*] **Term:** **14 Years**

[21] **Appl. No.:** **56,985**

[22] **Filed:** **Jul. 15, 1996**

[51] **LOC (6) Cl.** ..... **23-01**

[52] **U.S. Cl.** ..... **D23/255**

[58] **Field of Search** ..... **D23/238-243,**  
**D23/250, 287; 4/675-678; 187/801**

[56] **References Cited**

**U.S. PATENT DOCUMENTS**

- D. 291,117 7/1987 Ryan ..... D23/255
- D. 291,240 8/1987 Rademacher ..... D23/255
- D. 347,883 6/1994 Kolapp et al. .... D23/257

- D. 348,510 7/1994 Gottwold ..... D23/257
- D. 350,812 9/1994 Kolapp et al. .... D23/255

*Primary Examiner*—Stella Reid  
*Assistant Examiner*—Eric Watterson  
*Attorney, Agent, or Firm*—Dennison, Meserole, Pollack & Scheiner

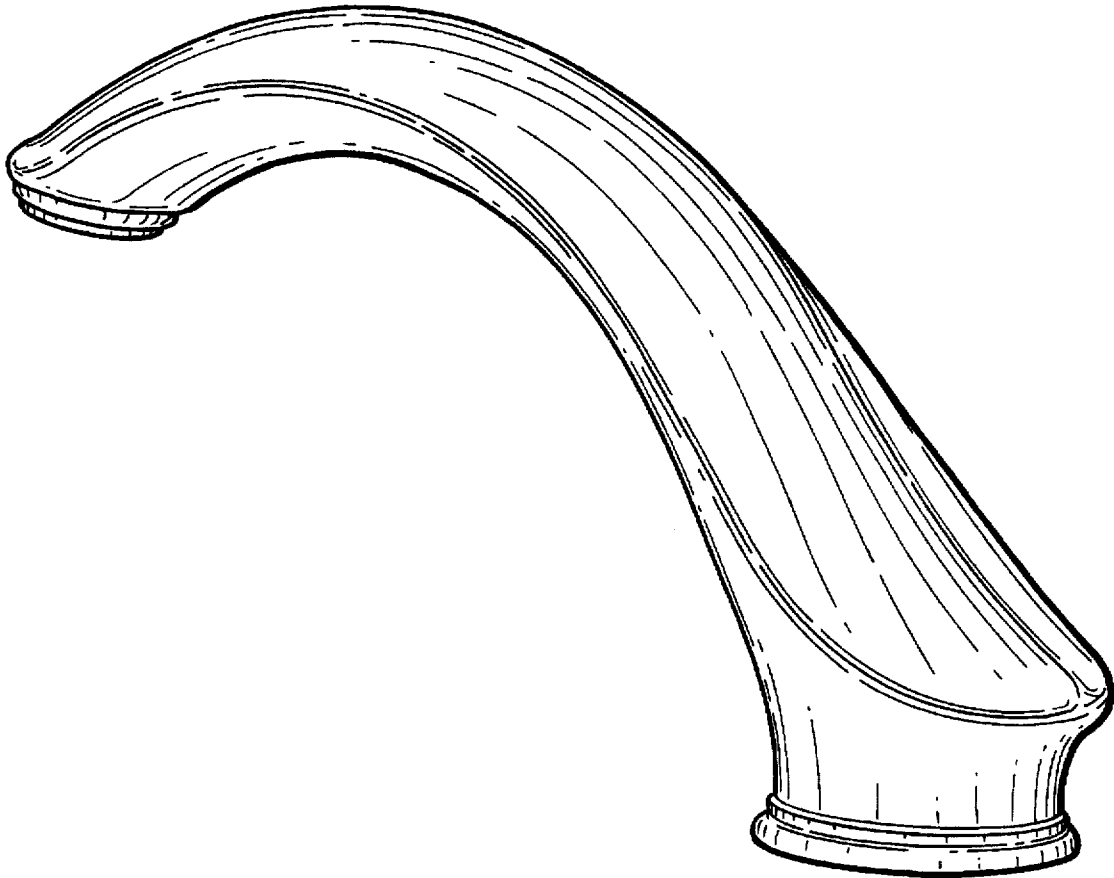
[57] **CLAIM**

The ornamental design for a faucet spout, as shown and described.

**DESCRIPTION**

FIG. 1 is a rear, top and side perspective of a faucet spout showing our new design;  
FIG. 2 is a top plan view thereof;  
FIG. 3 is a bottom plan view thereof;  
FIG. 4 is a left side elevation view thereof;  
FIG. 5 is a right side elevation view thereof;  
FIG. 6 is a front elevation view thereof; and,  
FIG. 7 is a rear elevation view thereof.

**1 Claim, 3 Drawing Sheets**



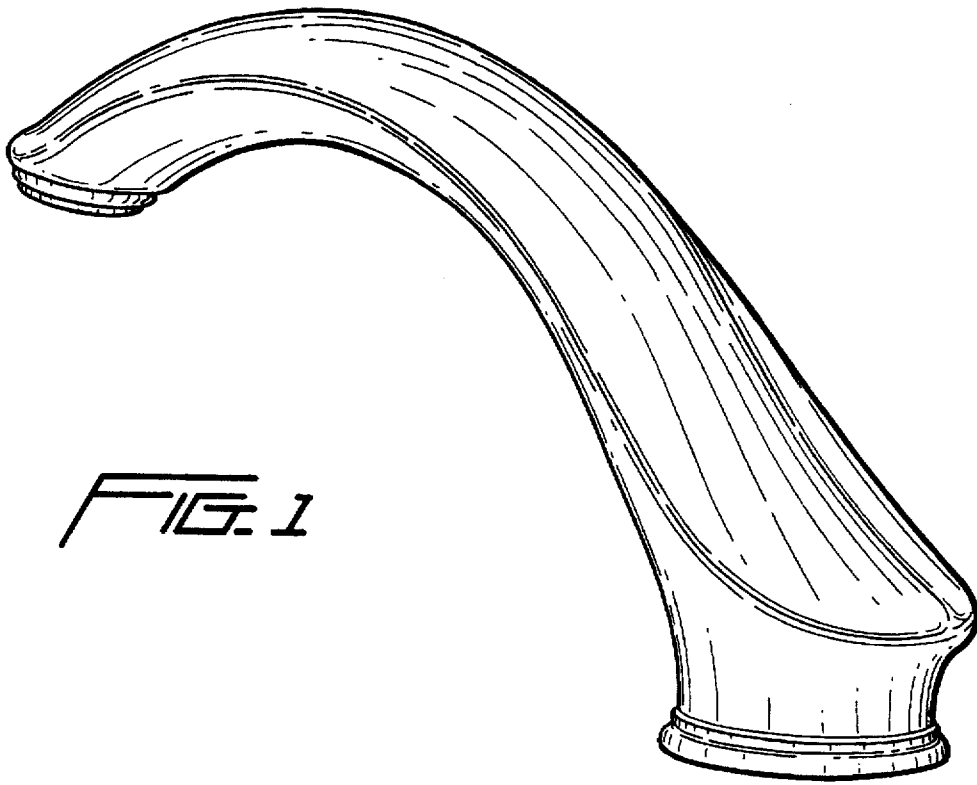


FIG. 1

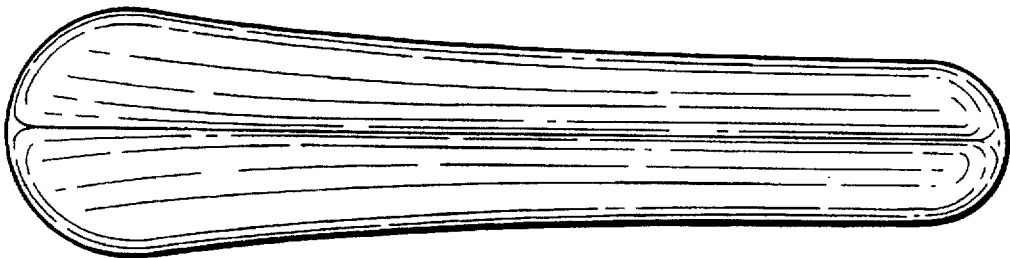


FIG. 2

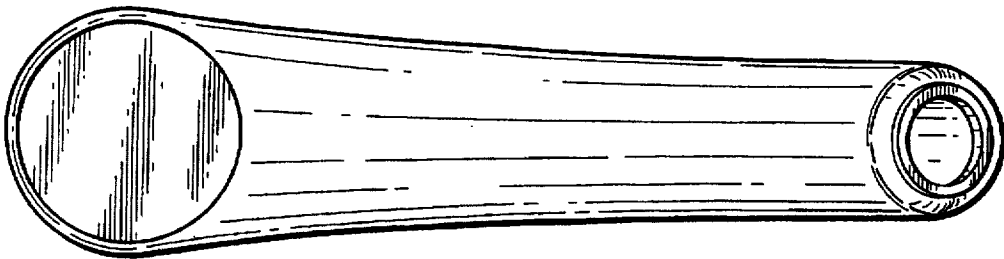
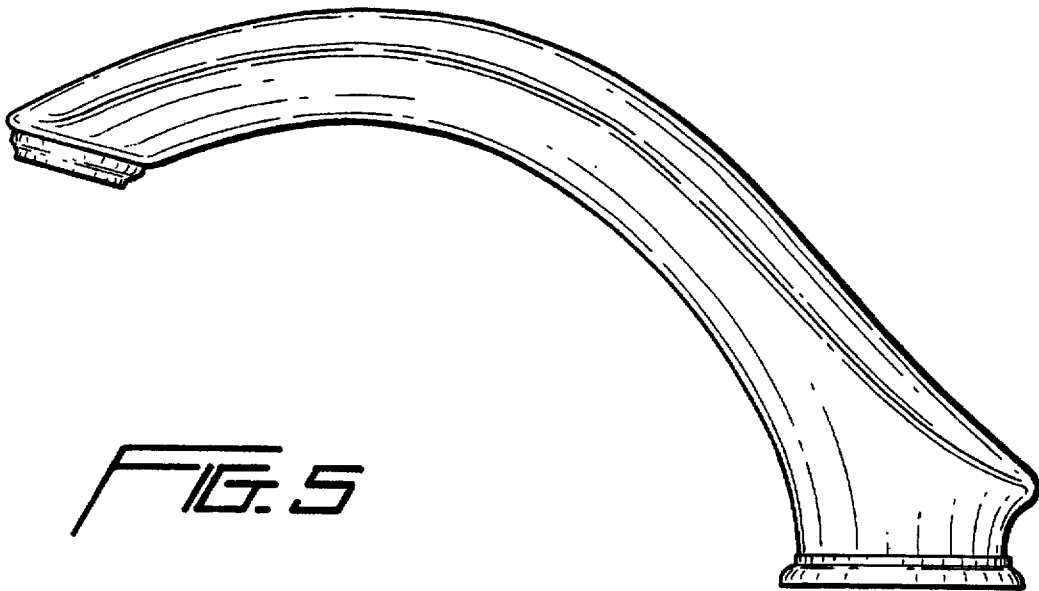
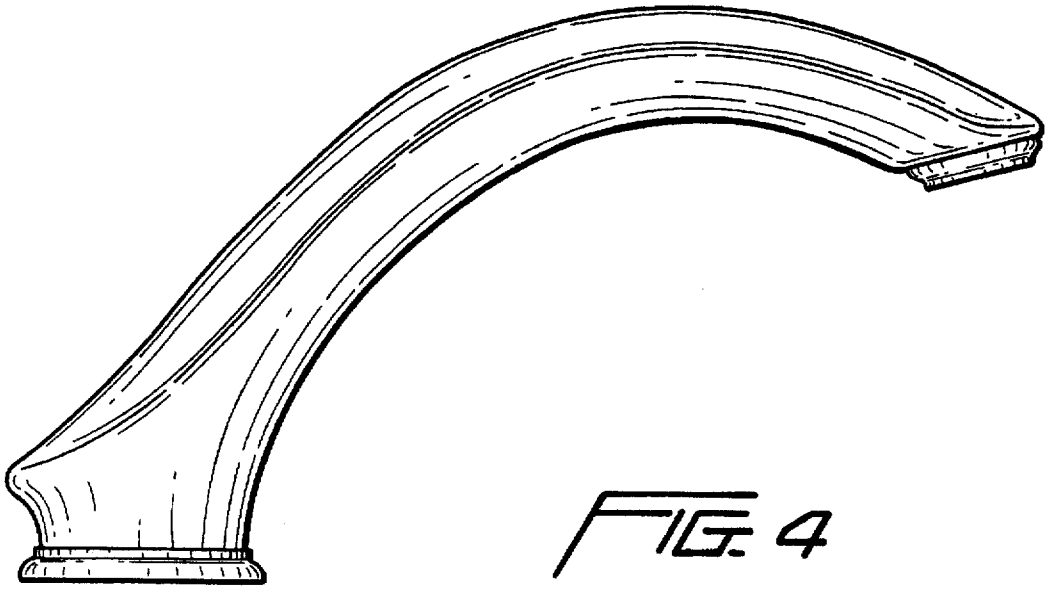


FIG. 3



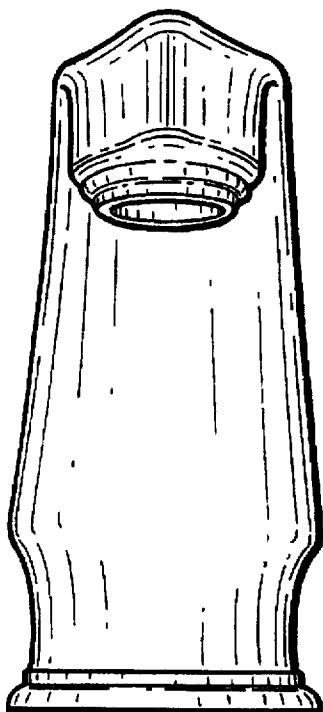


FIG. 6

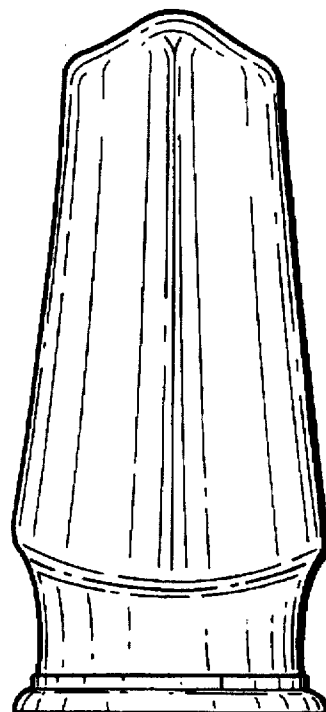


FIG. 7