



US00D867098S

(12) **United States Design Patent** (10) **Patent No.:** **US D867,098 S**
Patterson (45) **Date of Patent:** **** Nov. 19, 2019**

- (54) **TRIMMING KNIFE BLADE**
- (71) Applicant: **Belair Instrument Company, LLC**,
Springfield, NJ (US)
- (72) Inventor: **Barry Patterson**, Springfield, NJ (US)
- (73) Assignee: **BELAIR INSTRUMENT COMPANY, LLC**,
Springfield, NJ (US)
- (**) Term: **15 Years**
- (21) Appl. No.: **29/696,940**
- (22) Filed: **Jul. 2, 2019**

Related U.S. Application Data

- (63) Continuation-in-part of application No. 29/679,674,
filed on Feb. 8, 2019.
- (51) **LOC (12) Cl.** **08-03**
- (52) **U.S. Cl.**
USPC **D8/98**
- (58) **Field of Classification Search**
USPC D7/393-395, 401.2, 642-652, 693,
D7/695-696; D8/20, 93, 97-100, 107,
D8/300, 321; D22/117-118; D24/146
CPC A01B 1/20; A01B 1/22; A22C 25/006;
A47G 21/06; A47G 21/065; A61B
17/142; A61B 17/3211; A61B 17/3213;
B21D 53/64; B25F 1/02; B25G 3/36;
B26B 1/00; B26B 1/08; B26B 1/10;
B26B 3/00; B26B

(Continued)

(56) **References Cited**

U.S. PATENT DOCUMENTS

- 2,877,553 A 3/1959 Matwijeow
- D248,166 S 6/1978 Kanai

(Continued)

Primary Examiner — Ricky Pham
(74) *Attorney, Agent, or Firm* — Dunlap Bennett &
Ludwig PLLC

(57) **CLAIM**

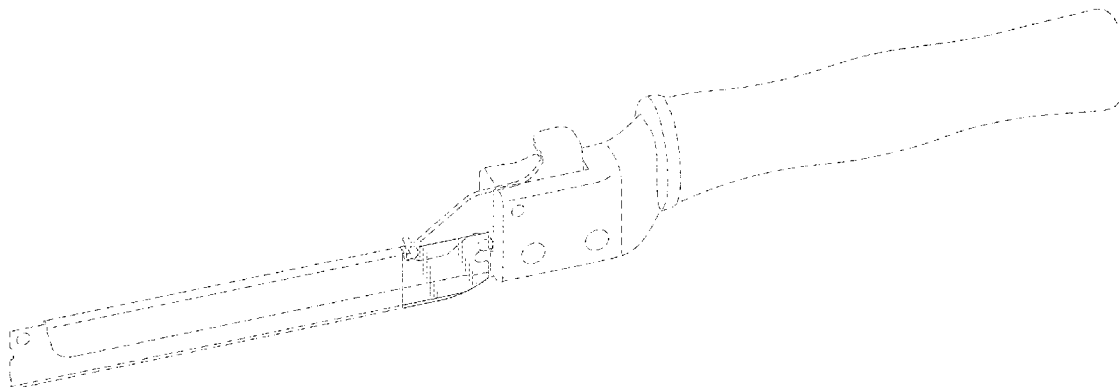
The ornamental design for a trimming knife blade, as shown
and described.

DESCRIPTION

FIG. 1 is a perspective view of a first embodiment of a
trimming knife blade, showing my new design in use;
FIG. 2 is an enlarged left elevation view thereof;
FIG. 3 is an enlarged right elevation view thereof;
FIG. 4 is an enlarged top plan elevation view thereof;
FIG. 5 is an enlarged bottom plan elevation view thereof;
FIG. 6 is an enlarged rear elevation view thereof;
FIG. 7 is an enlarged front elevation view thereof;
FIG. 8 is a perspective view of a second embodiment of the
trimming knife blade, showing my new design;
FIG. 9 is an enlarged left elevation view thereof;
FIG. 10 is an enlarged right elevation view thereof;
FIG. 11 is an enlarged top plan elevation view thereof;
FIG. 12 is an enlarged bottom plan elevation view thereof;
FIG. 13 is an enlarged rear elevation view thereof;
FIG. 14 is an enlarged front elevation view thereof;
FIG. 15 is a perspective view of a third embodiment of the
trimming knife blade, showing my new design in use;
FIG. 16 is an enlarged left elevation view thereof;
FIG. 17 is an enlarged right elevation view thereof;
FIG. 18 is an enlarged top plan elevation view thereof;
FIG. 19 is an enlarged bottom plan elevation view thereof;
FIG. 20 is an enlarged rear elevation view thereof; and,
FIG. 21 is an enlarged front elevation view thereof.

The evenly-sized broken lines shown in the drawings depict
portions of the trimming knife blade that form no part of the
claimed design. The alternating length dashed lines in the
drawings depict the boundary of the claimed design, and its
understood that the claim extends to the boundary that forms
no part of the claimed design.

1 Claim, 9 Drawing Sheets



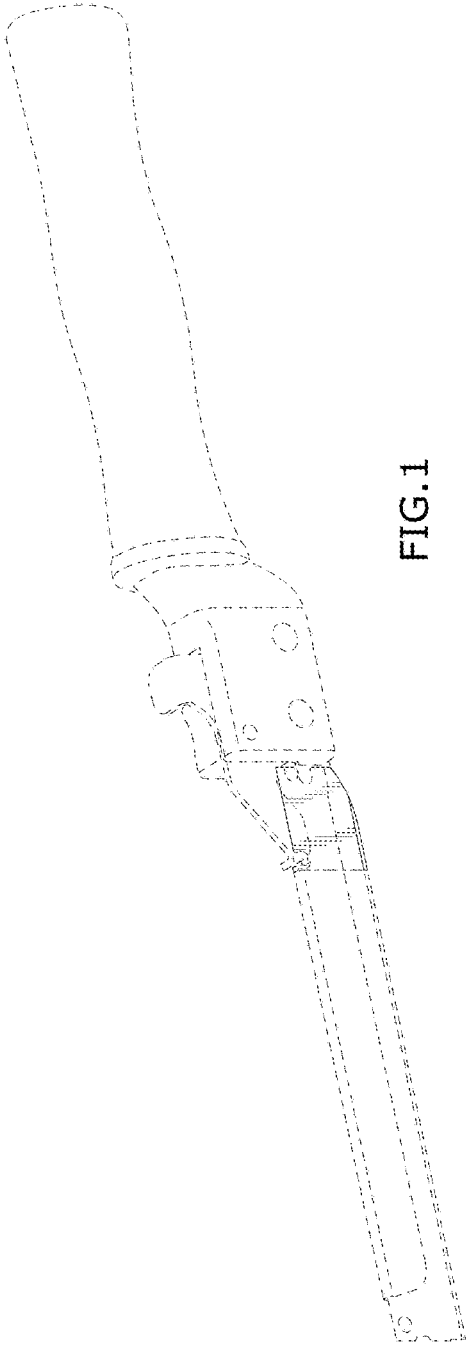


FIG.1



FIG. 2



FIG. 3

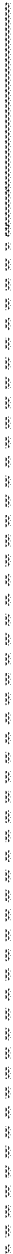


FIG. 4



FIG. 5



FIG. 6



FIG. 7

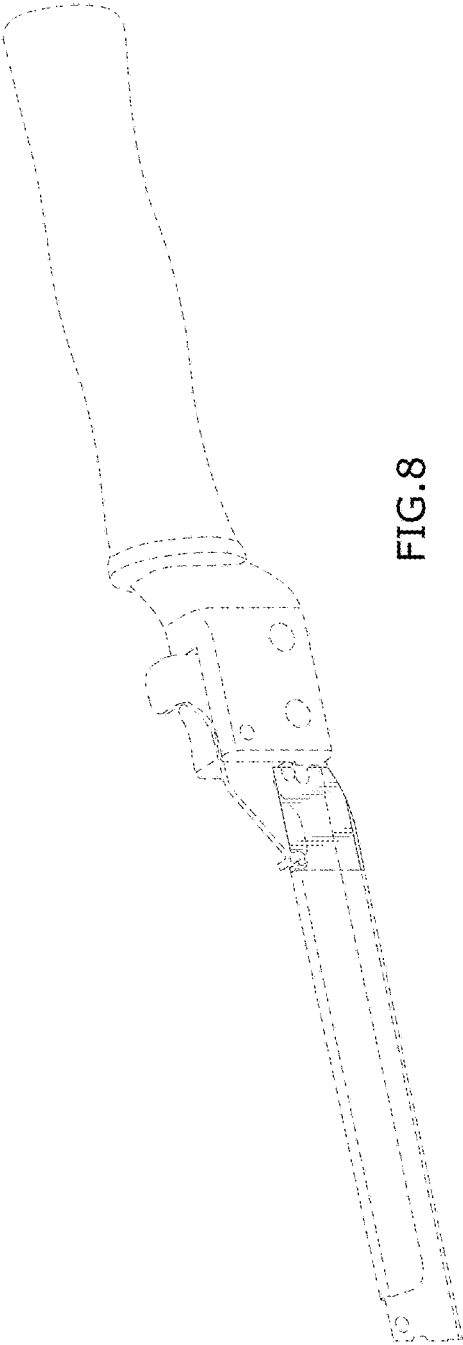


FIG. 8



FIG. 9



FIG. 10

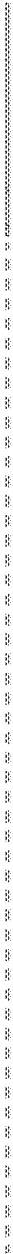


FIG. 11

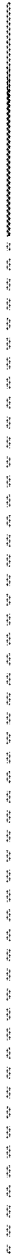


FIG. 12



FIG. 13



FIG. 14

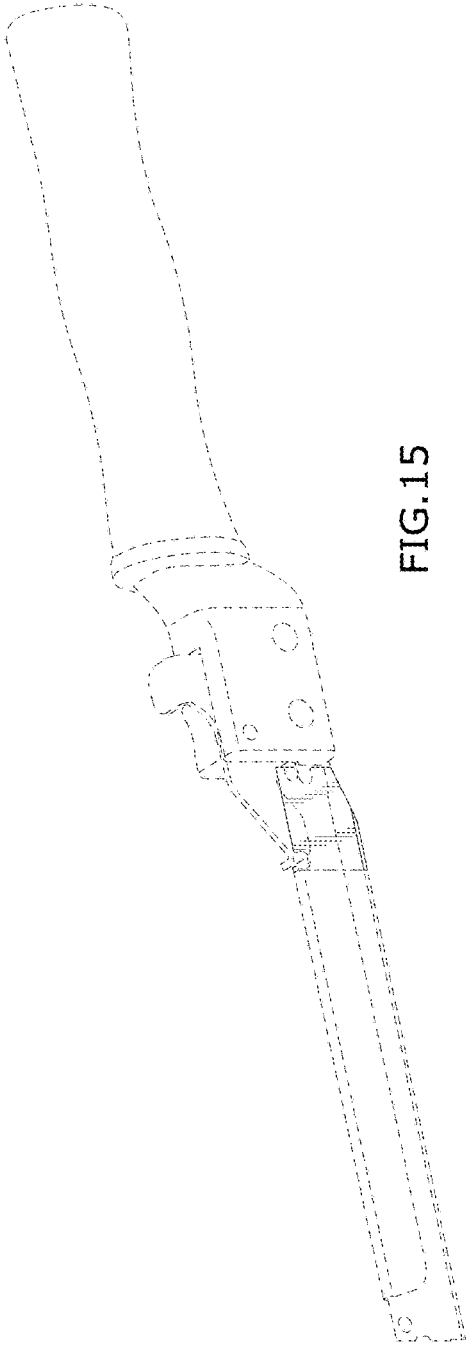


FIG. 15



FIG. 16



FIG. 17

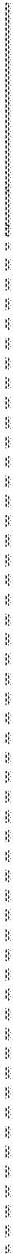


FIG. 18



FIG. 19



FIG. 20



FIG. 21