

(19) World Intellectual Property Organization
International Bureau



(43) International Publication Date
25 October 2007 (25.10.2007)

PCT

(10) International Publication Number
WO 2007/121047 A3

- (51) International Patent Classification:
F02F 11/00 (2006.01)
- (21) International Application Number:
PCT/US2007/064995
- (22) International Filing Date: 27 March 2007 (27.03.2007)
- (25) Filing Language: English
- (26) Publication Language: English
- (30) Priority Data:
11/405,306 17 April 2006 (17.04.2006) US
- (71) Applicant (for all designated States except US): **FEDERAL-MOGUL CORPORATION** [US/US]; 26555 Northwestern Highway, Southfield, MI 48034 (US).
- (72) Inventor; and
- (75) Inventor/Applicant (for US only): **OLSON, Greg** [US/US]; 1352 Colonade Ct., Canton, MI 48187 (US).
- (74) Agents: **STREANS, Robert, L.** et al.; Dickinson Wright Plc, 38525 Woodward Avenue, Suite 2000, Bloomfield Hills, MI 48304-5092 (US).

- (81) Designated States (unless otherwise indicated, for every kind of national protection available): AE, AG, AL, AM, AT, AU, AZ, BA, BB, BG, BH, BR, BW, BY, BZ, CA, CH, CN, CO, CR, CU, CZ, DE, DK, DM, DZ, EC, EE, EG, ES, FI, GB, GD, GE, GH, GM, GT, HN, HR, HU, ID, IL, IN, IS, JP, KE, KG, KM, KN, KP, KR, KZ, LA, LC, LK, LR, LS, LT, LU, LY, MA, MD, MG, MK, MN, MW, MX, MY, MZ, NA, NG, NI, NO, NZ, OM, PG, PH, PL, PT, RO, RS, RU, SC, SD, SE, SG, SK, SL, SM, SV, SY, TJ, TM, TN, TR, TT, TZ, UA, UG, US, UZ, VC, VN, ZA, ZM, ZW.
- (84) Designated States (unless otherwise indicated, for every kind of regional protection available): ARIPO (BW, GH, GM, KE, LS, MW, MZ, NA, SD, SL, SZ, TZ, UG, ZM, ZW), Eurasian (AM, AZ, BY, KG, KZ, MD, RU, TJ, TM), European (AT, BE, BG, CH, CY, CZ, DE, DK, EE, ES, FI, FR, GB, GR, HU, IE, IS, IT, LT, LU, LV, MC, MT, NL, PL, PT, RO, SE, SI, SK, TR), OAPI (BF, BJ, CF, CG, CI, CM, GA, GN, GQ, GW, ML, MR, NE, SN, TD, TG).

Published:
— with international search report

[Continued on next page]

(54) Title: GASKET AND METHOD OF FORMING A SEAL THEREWITH

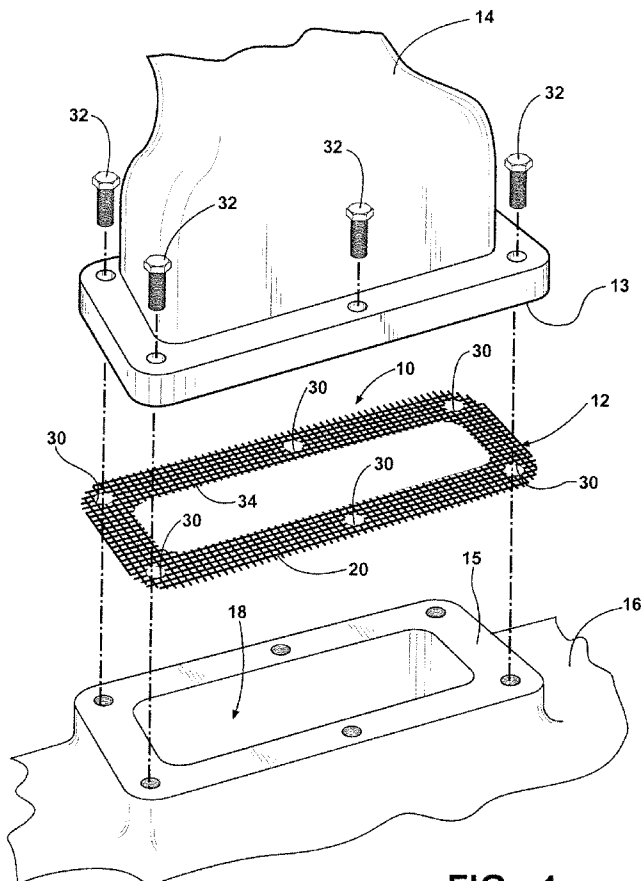


FIG. 1

(57) Abstract: A gasket and method of forming a seal between opposite surfaces of a pair of bodies. The gasket has a body with one portion having a plurality of perforations adapted for receipt between the opposite surfaces. The method of forming the seal includes disposing the portion of the body with the perforations between the opposite surfaces and fastening the pair of bodies to one another to compress the perforate portion of the body therebetween.

WO 2007/121047 A3



— *before the expiration of the time limit for amending the claims and to be republished in the event of receipt of amendments*

(88) Date of publication of the international search report:
31 December 2008

INTERNATIONAL SEARCH REPORT

International application No.

PCT/US 07/64995

A. CLASSIFICATION OF SUBJECT MATTER IPC(8) - F02F 11/00 (2008.04) USPC - 277/600 According to International Patent Classification (IPC) or to both national classification and IPC		
B. FIELDS SEARCHED Minimum documentation searched (classification system followed by classification symbols) IPC - F02F 11/00 (2008.04) USPC - 277/600 Documentation searched other than minimum documentation to the extent that such documents are included in the fields searched USPC -- 277/590, 591, 592, 595, 596 Electronic data base consulted during the international search (name of data base and, where practicable, search terms used) PubWest (DB=PGPB,USPT,USOC,EPAB,JPAB; PLUR=NO; OP=ADJ); GoogleScholar; gasket, webbed, multi-layered, layered, perforated, MLS, body, sealant, passage, extending, opposite surface, perforation, compressed		
C. DOCUMENTS CONSIDERED TO BE RELEVANT		
Category*	Citation of document, with indication, where appropriate, of the relevant passages	Relevant to claim No.
Y	US 6,247,704 B1 (Battistoni) 19 June 2001 (19.06.2001); abstract; Fig. 1, 2; col. 1, 61-67; col. 2, ln 27-65; col. 3, ln 2-9	1-20
Y	US 3,050,010 A (Thrap et al) 21 August 1962 (21.08.1962); col. 1, ln 24-29; col. 5, ln 19-22	1-20
A	US 2005/0110222 A1 (Matsumoto et al) 26 May 2005 (26.05.2005)	1-20
A	US 2005/0134006 A1 (Adams et al) 23 June 2005 (23.06.2005)	1-20
<input type="checkbox"/> Further documents are listed in the continuation of Box C. <input type="checkbox"/>		
* Special categories of cited documents: "A" document defining the general state of the art which is not considered to be of particular relevance "E" earlier application or patent but published on or after the international filing date "L" document which may throw doubts on priority claim(s) or which is cited to establish the publication date of another citation or other special reason (as specified) "O" document referring to an oral disclosure, use, exhibition or other means "P" document published prior to the international filing date but later than the priority date claimed "T" later document published after the international filing date or priority date and not in conflict with the application but cited to understand the principle or theory underlying the invention "X" document of particular relevance; the claimed invention cannot be considered novel or cannot be considered to involve an inventive step when the document is taken alone "Y" document of particular relevance; the claimed invention cannot be considered to involve an inventive step when the document is combined with one or more other such documents, such combination being obvious to a person skilled in the art "&" document member of the same patent family		
Date of the actual completion of the international search 25 October 2008 (25.10.2008)		Date of mailing of the international search report 05 NOV 2008
Name and mailing address of the ISA/US Mail Stop PCT, Attn: ISA/US, Commissioner for Patents P.O. Box 1450, Alexandria, Virginia 22313-1450 Facsimile No. 571-273-3201		Authorized officer: Lee W. Young PCT Helpdesk: 571-272-4300 PCT OSP: 571-272-7774