



US00D723348S

(12) **United States Design Patent**
Preston

(10) **Patent No.:** **US D723,348 S**

(45) **Date of Patent:** **** Mar. 3, 2015**

(54) **MODIFIED AXE HEAD**

(71) Applicant: **Glenn Scott Preston**, Salem, MA (US)

(72) Inventor: **Glenn Scott Preston**, Salem, MA (US)

(**) Term: **14 Years**

(21) Appl. No.: **29/443,495**

(22) Filed: **Jan. 18, 2013**

(51) **LOC (10) Cl.** **08-02**

(52) **U.S. Cl.**

USPC **D8/76**

(58) **Field of Classification Search**

CPC A01B 1/022; A01B 1/20; A01B 1/225;
A62B 3/005; A62C 8/04; B26B 23/00

USPC D8/11, 12, 14, 47, 75-81, 105;
D22/117-118; 7/143-147;
30/308-308.2; 81/19-24; 254/26 R

See application file for complete search history.

(56) **References Cited**

U.S. PATENT DOCUMENTS

1,280,465	A *	10/1918	Herron	172/375
D53,637	S *	7/1919	McGee	D8/11
1,404,660	A *	1/1922	Shugart	30/308.1
1,457,930	A *	6/1923	Nelems	30/308.2
D155,287	S *	9/1949	Hawes	D8/76
3,245,094	A *	4/1966	Shandel	7/145
3,735,434	A *	5/1973	Penberthy	7/158
D299,412	S *	1/1989	Zabarte	D8/76
D303,068	S *	8/1989	Zabarte	D8/11

D440,834	S *	4/2001	Khachatoorian	D8/11
6,289,540	B1 *	9/2001	Emonds	7/116
D690,181	S *	9/2013	Sykes	D8/76
2005/0005457	A1 *	1/2005	Wensel et al.	30/308.1

* cited by examiner

Primary Examiner — Philip S Hyder

Assistant Examiner — Roselynn Cody

(74) *Attorney, Agent, or Firm* — Daniel N. Smith

(57) **CLAIM**

The ornamental design for a modified axe head, as shown and described.

DESCRIPTION

FIG. 1 illustrates a top front perspective view of the modified axe head showing my new design;

FIG. 2 illustrates a bottom front perspective view of the modified axe head showing my new design;

FIG. 3 illustrates a top rear perspective view of the modified axe head showing my new design;

FIG. 4 illustrates a bottom rear perspective view of the modified axe head showing my new design;

FIG. 5 illustrates a side view of the modified axe head;

FIG. 6 illustrates a top view of the modified axe head;

FIG. 7 illustrates a bottom view of the modified axe head;

FIG. 8 illustrates a rear view of the modified axe head; and,

FIG. 9 illustrates a front view of the modified axe head.

1 Claim, 9 Drawing Sheets

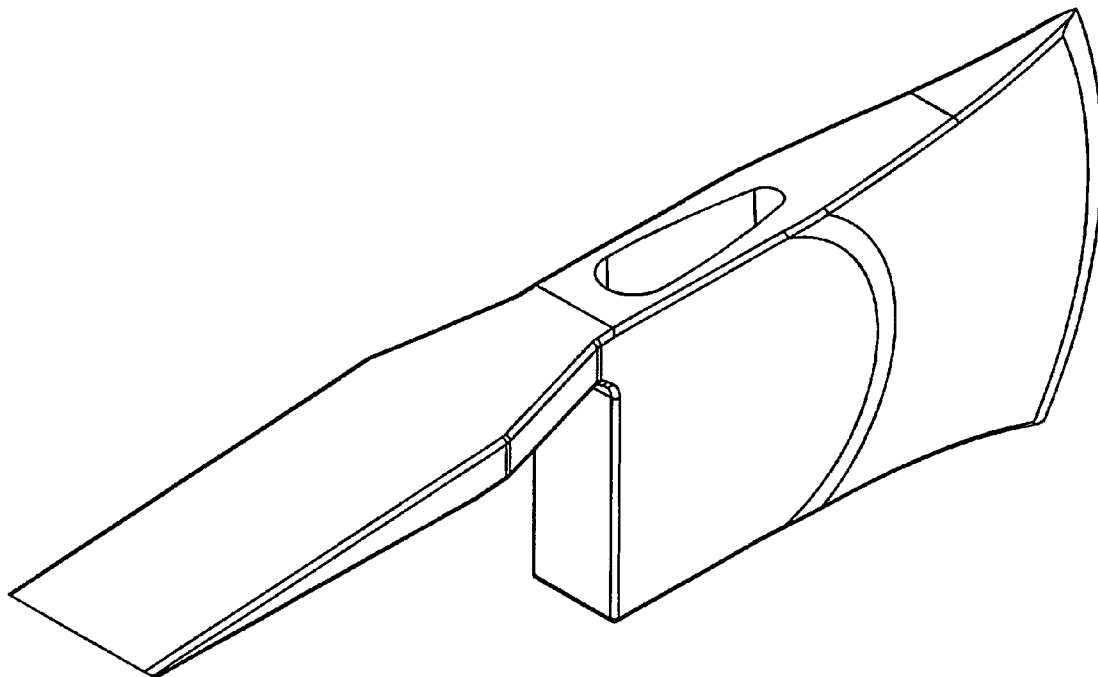


FIG. 1

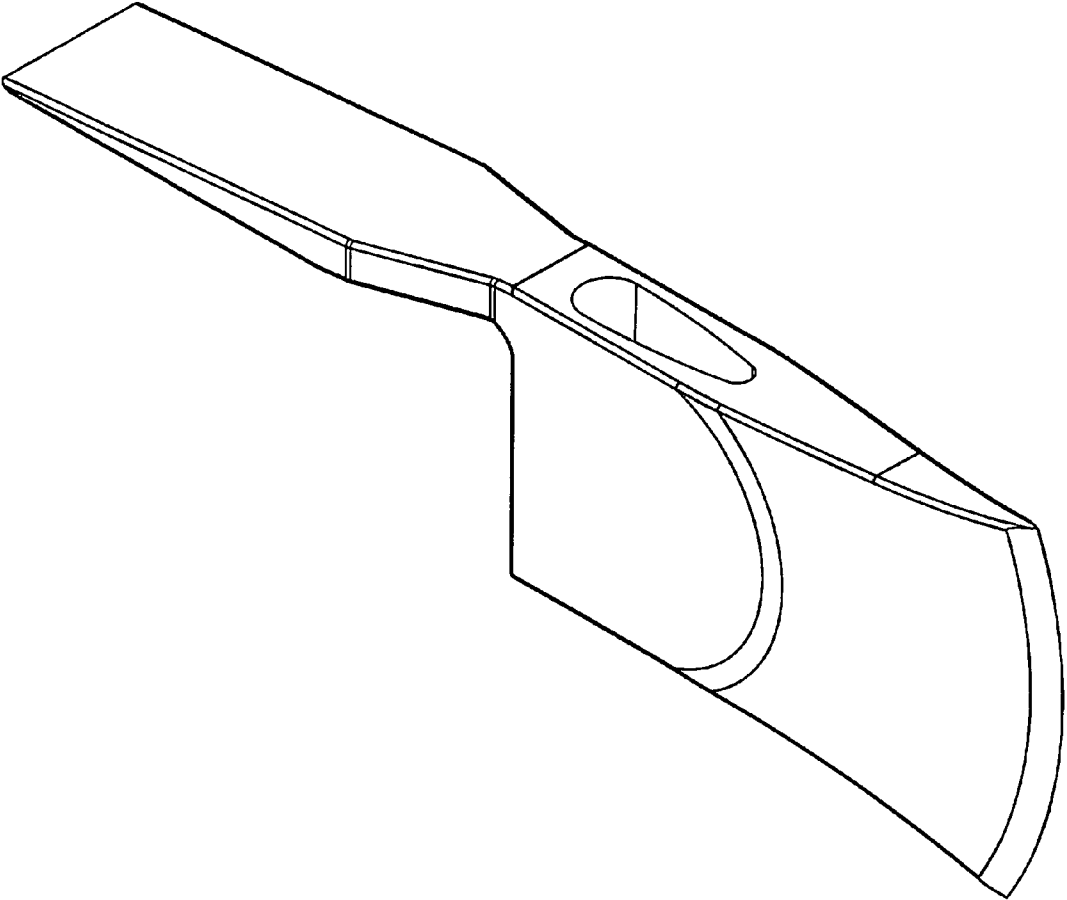


FIG. 2

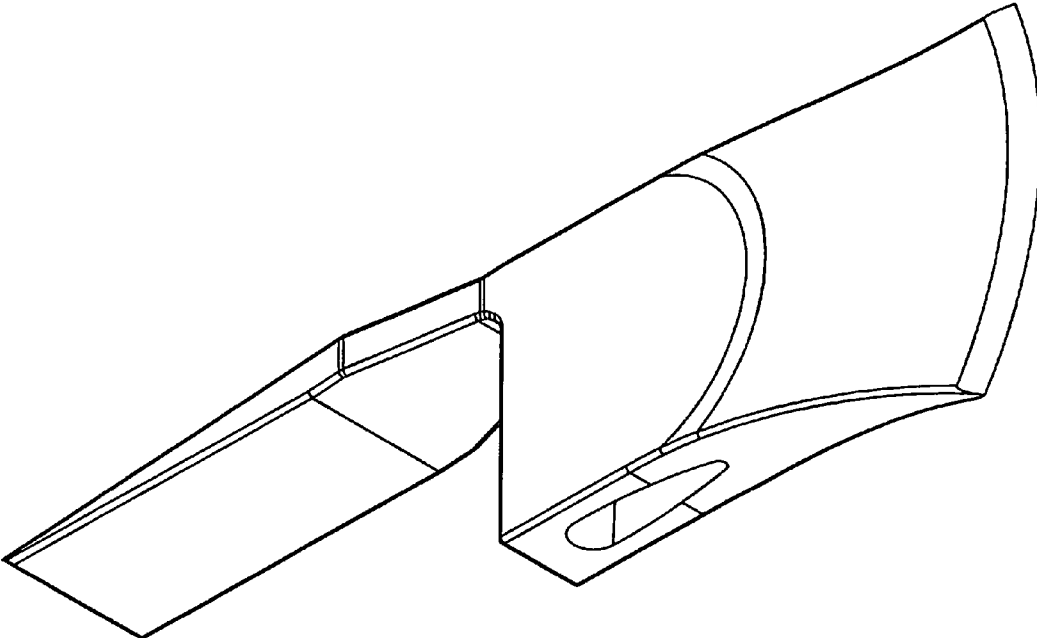


FIG. 3

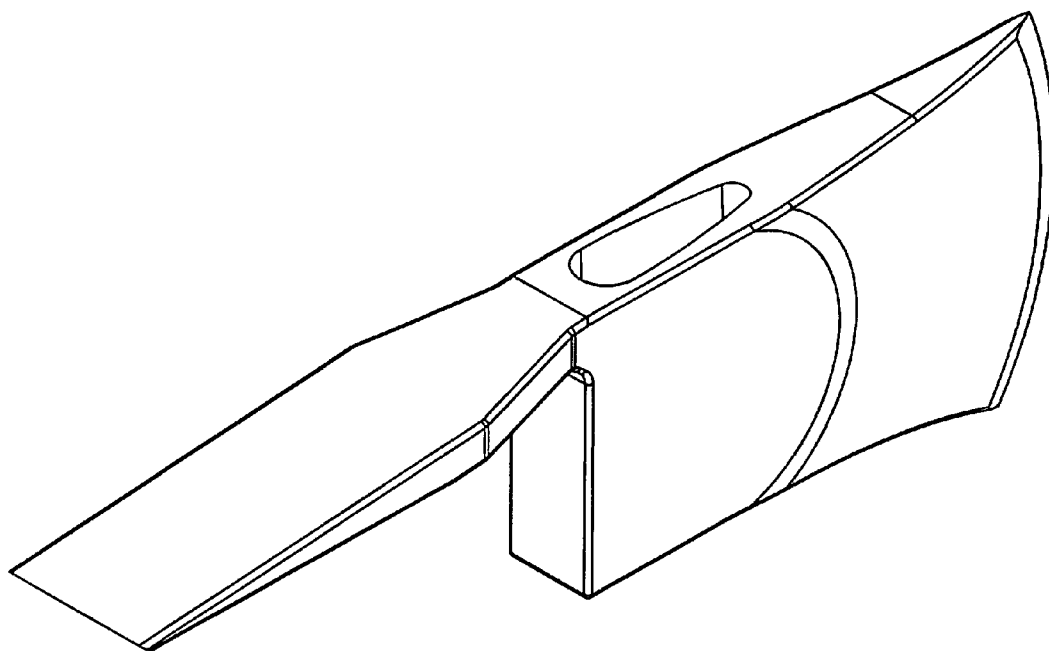


FIG. 4

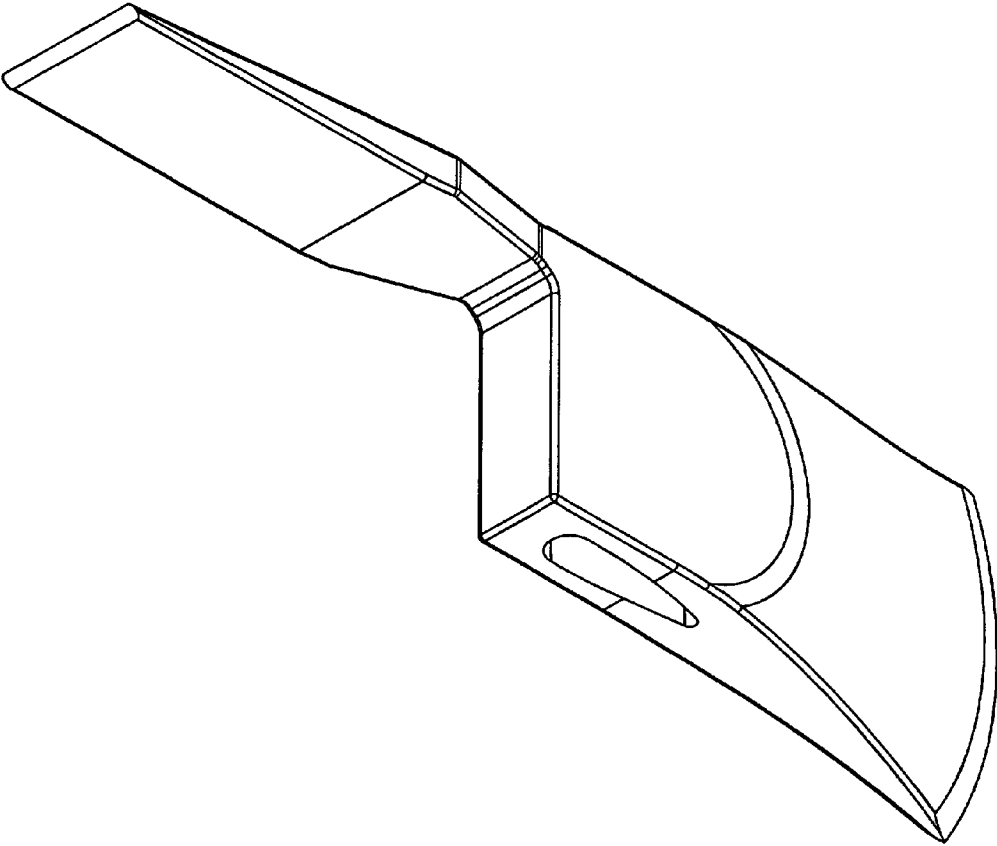


FIG. 5

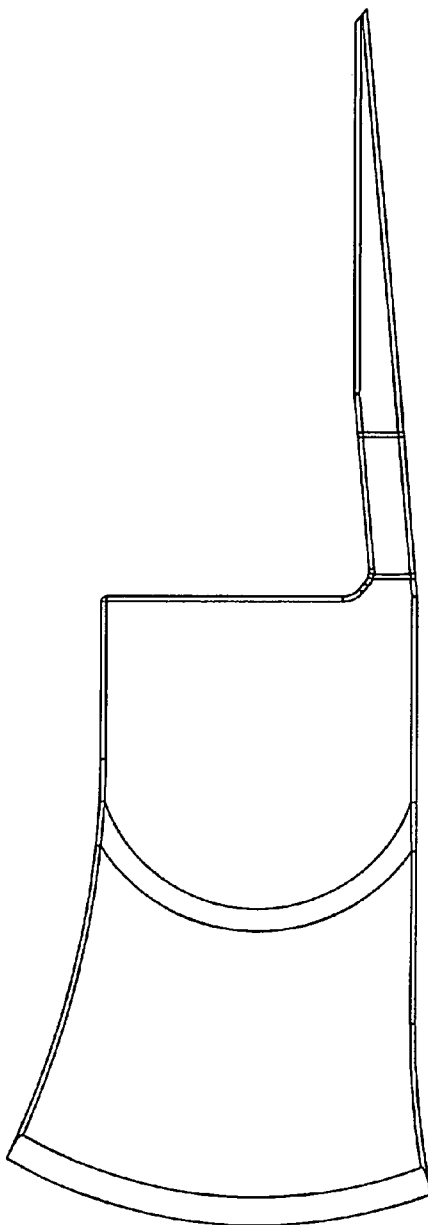


FIG. 6

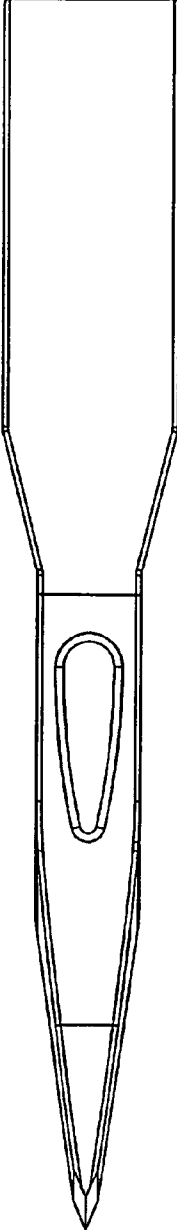


FIG. 7

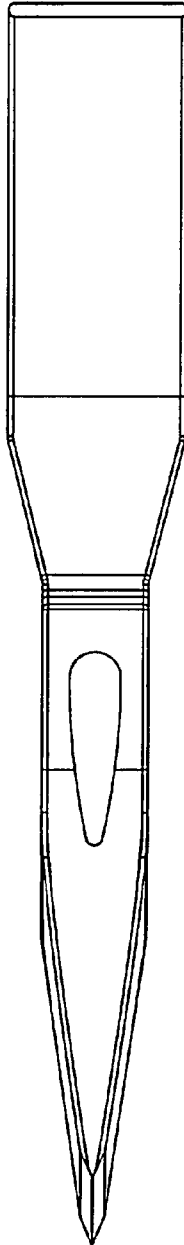


FIG. 8

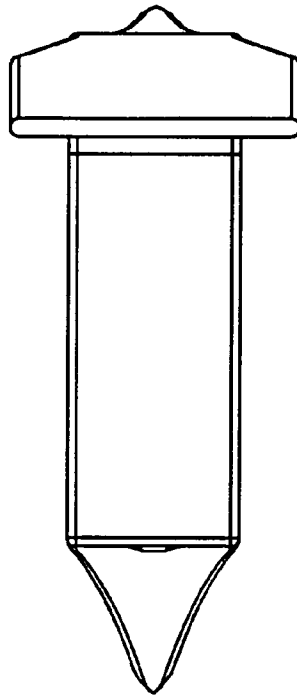


FIG. 9

