



US00D511110S

(12) **United States Design Patent**
Rodela

(10) **Patent No.:** **US D511,110 S**
(45) **Date of Patent:** **** Nov. 1, 2005**

(54) **TIMER**

(76) Inventor: **Dan E. Rodela**, 2908 E. Firecrest Ct.,
Ontario, CA (US) 91761

(**) Term: **14 Years**

(21) Appl. No.: **29/214,351**

(22) Filed: **Sep. 30, 2004**

(51) **LOC (8) Cl.** **10-03**

(52) **U.S. Cl.** **D10/40; D19/36; D19/52**

(58) **Field of Search** D10/40, 41, 1-3,
D10/24, 97; D19/36, 52, 86, 90; 368/97-123,
10, 285, 41-44, 276-278, 316, 317; 307/141,
141.4; 200/33 R, 38 DA, 38 D, 38 A, 38 F,
38 R

(56) **References Cited**

U.S. PATENT DOCUMENTS

2,284,501 A	5/1942	Welch	
2,516,239 A	7/1950	Moss	
2,881,009 A	4/1959	Delaney	
D188,975 S	* 10/1960	Moore D7/402
3,501,909 A	* 3/1970	Conradt 368/108
3,817,022 A	* 6/1974	Swartz 368/67
D242,905 S	1/1977	Eschenfeldt	
D259,184 S	5/1981	Francis et al.	
4,276,541 A	6/1981	Inoue et al.	

D260,375 S	* 8/1981	Kane et al. D10/40
D274,703 S	* 7/1984	Vogel D10/15
5,022,016 A	* 6/1991	Smith et al. 368/223
D329,609 S	* 9/1992	Wolf D10/2
D363,433 S	10/1995	Caraballo	
5,691,932 A	* 11/1997	Reiner et al. 368/10
6,069,848 A	5/2000	McDonald et al.	
D429,469 S	* 8/2000	McPhee D10/40
6,236,621 B1	5/2001	Schettino	
D496,068 S	* 9/2004	Mandel D19/36

* cited by examiner

Primary Examiner—Lucy Lieberman

(57) **CLAIM**

The ornamental design for a timer, as shown and described.

DESCRIPTION

FIG. 1 is a front elevational view of a timer showing my new design;

FIG. 2 is a rear elevational view thereof;

FIG. 3 is a side view, taken from the left side of FIG. 1;

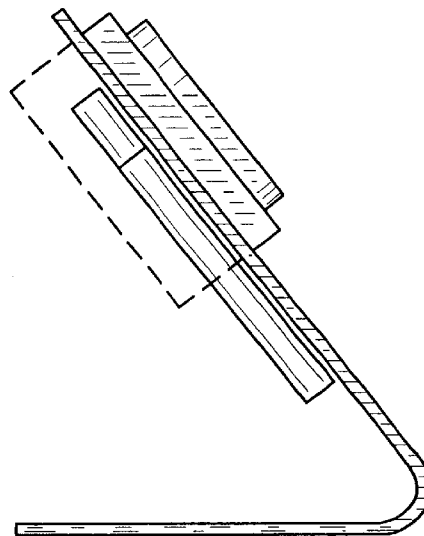
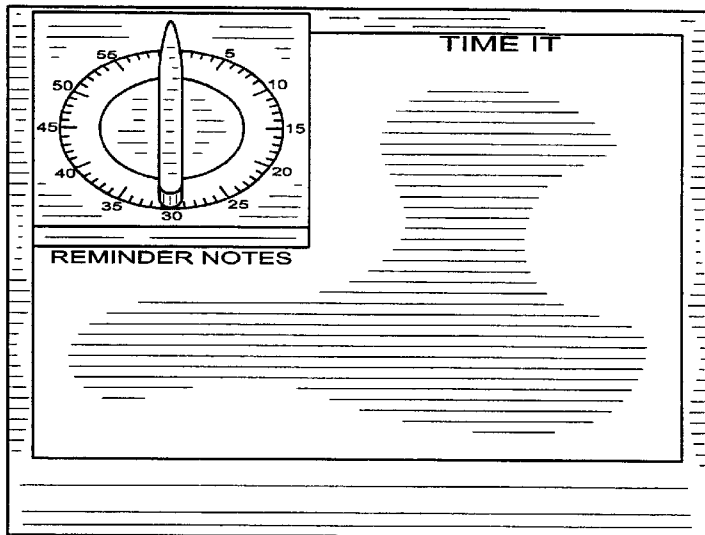
FIG. 4 is a side view, taken from the right side of FIG. 1;

FIG. 5 is a top plan view thereof; and,

FIG. 6 is a bottom plan view thereof.

The broken lines in the drawings are for illustrative purposes only and do not form part of the claimed design.

1 Claim, 3 Drawing Sheets



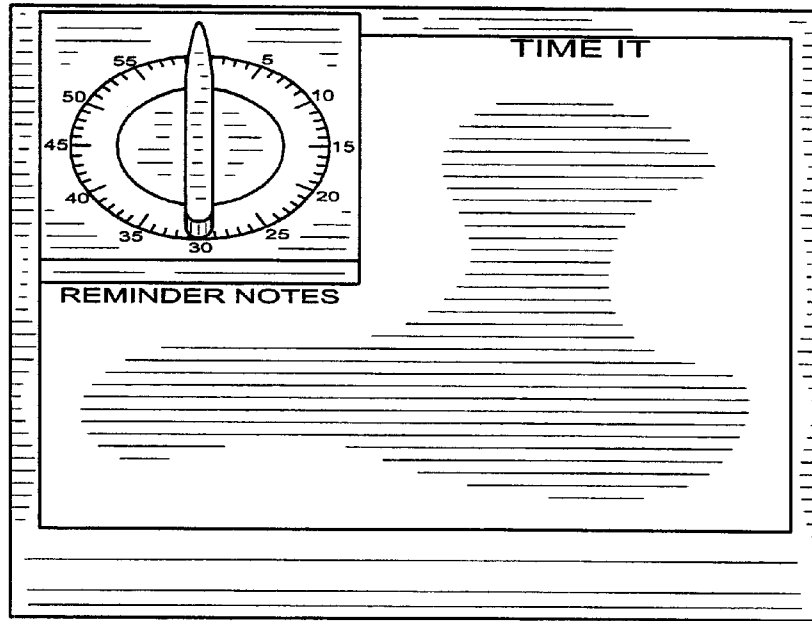


FIG. 1

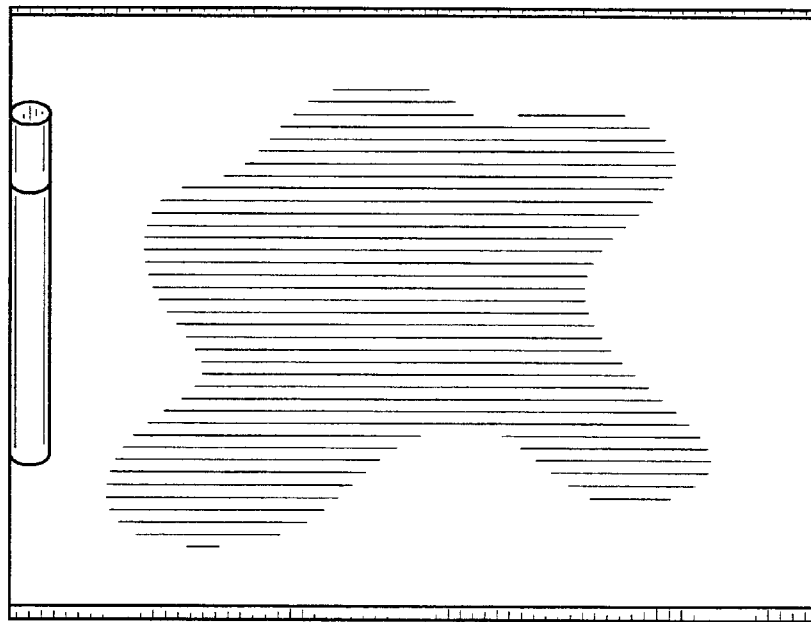


FIG. 2

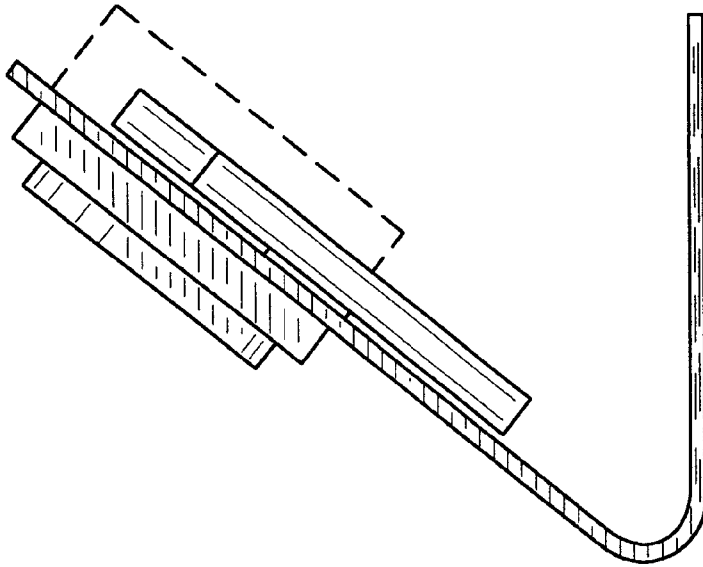


FIG. 4

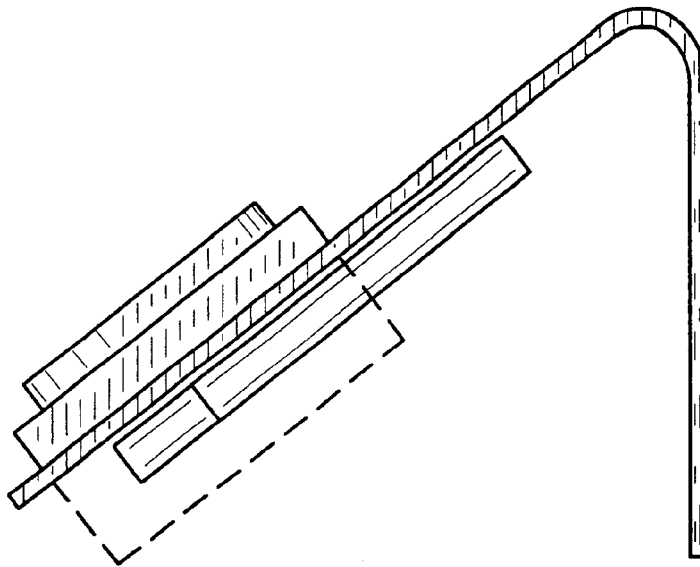


FIG. 3

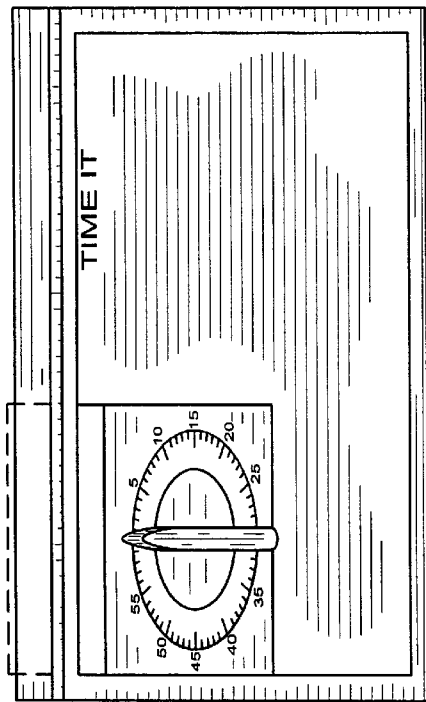


FIG. 5

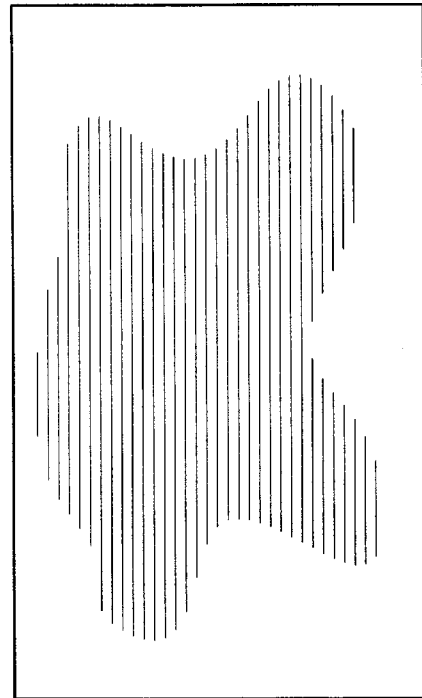


FIG. 6