



- (51) International Patent Classification:
B05B 13/04 (2006.01)
- (21) International Application Number:
PCT/IB2016/054581
- (22) International Filing Date:
29 July 2016 (29.07.2016)
- (25) Filing Language:
Italian
- (26) Publication Language:
English
- (30) Priority Data:
102015000040491 30 July 2015 (30.07.2015) IT
- (71) Applicant: SAIPEM S.P.A. [IT/IT]; Via Martiri di Cefalonia, 67, 20097 San Donato Milanese (IT).
- (72) Inventors: SIMONE, Francesco; c/o SAIPEM S.p.A., Via Martiri di Cefalonia, 67, 20097 San Donato Milanese (IT). DUNCAN, Joseph Crichton; c/o SAIPEM S.p.A., Via Martiri di Cefalonia, 67, 20097 San Donato Milanese (IT). MURATORI, Valerio; c/o SAIPEM S.p.A., Via Martiri di Cefalonia, 67, 20097 San Donato Milanese (IT).
- (74) Agents: ECCETTO, Mauro et al.; STUDIO TORTA S.p.A., Via Viotti, 9, 10121 Torino (IT).
- (81) Designated States (unless otherwise indicated, for every kind of national protection available): AE, AG, AL, AM, AO, AT, AU, AZ, BA, BB, BG, BH, BN, BR, BW, BY,

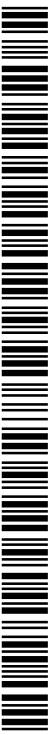
BZ, CA, CH, CL, CN, CO, CR, CU, CZ, DE, DK, DM, DO, DZ, EC, EE, EG, ES, FI, GB, GD, GE, GH, GM, GT, HN, HR, HU, ID, IL, IN, IR, IS, JP, KE, KG, KN, KP, KR, KZ, LA, LC, LK, LR, LS, LU, LY, MA, MD, ME, MG, MK, MN, MW, MX, MY, MZ, NA, NG, NI, NO, NZ, OM, PA, PE, PG, PH, PL, PT, QA, RO, RS, RU, RW, SA, SC, SD, SE, SG, SK, SL, SM, ST, SV, SY, TH, TJ, TM, TN, TR, TT, TZ, UA, UG, US, UZ, VC, VN, ZA, ZM, ZW.

- (84) Designated States (unless otherwise indicated, for every kind of regional protection available): ARIPO (BW, GH, GM, KE, LR, LS, MW, MZ, NA, RW, SD, SL, ST, SZ, TZ, UG, ZM, ZW), Eurasian (AM, AZ, BY, KG, KZ, RU, TJ, TM), European (AL, AT, BE, BG, CH, CY, CZ, DE, DK, EE, ES, FI, FR, GB, GR, HR, HU, IE, IS, IT, LT, LU, LV, MC, MK, MT, NL, NO, PL, PT, RO, RS, SE, SI, SK, SM, TR), OAPI (BF, BJ, CF, CG, CI, CM, GA, GN, GQ, GW, KM, ML, MR, NE, SN, TD, TG).

Published:

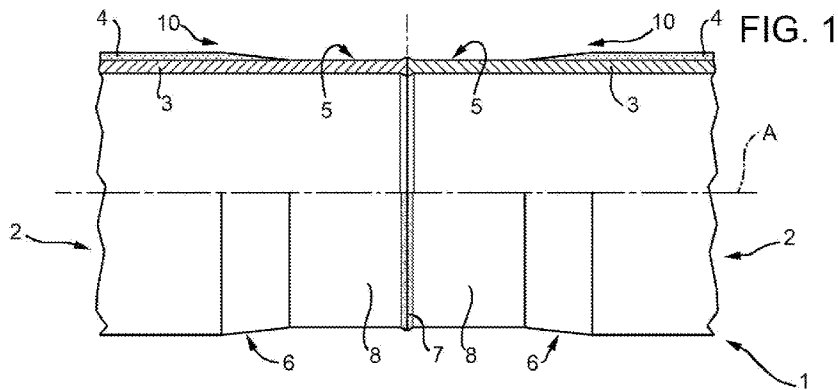
- with international search report (Art. 21(3))
- before the expiration of the time limit for amending the claims and to be republished in the event of receipt of amendments (Rule 48.2(h))

- (88) Date of publication of the international search report:
9 March 2017



WO 2017/017658 A3

(54) Title: APPARATUS AND METHOD FOR COATING PIPELINES



(57) Abstract: An apparatus (12) for coating pipelines, in particular for coating a cutback (8) along a pipeline (1), having: a frame (13), which extends along a given axis (A1) and is fixable with respect to the pipeline (1) so as to arrange the given axis (A1) parallel to the longitudinal axis (A) of the pipeline (1); a carriage (14), which is supported by the frame (13), is movable along the given axis (A1) with respect to the frame (13), and is configured for supporting a heater (15) and an applicator (16); an actuator (17) configured for advancing the carriage (14) along the given axis (A1); and a control unit (18) for selecting a travel distance for the carriage (14) from a plurality of travel distances.

INTERNATIONAL SEARCH REPORT

International application No
PCT/IB2016/054581

A. CLASSIFICATION OF SUBJECT MATTER
INV. B05B13/04
ADD.
According to International Patent Classification (IPC) or to both national classification and IPC

B. FIELDS SEARCHED
Minimum documentation searched (classification system followed by classification symbols)
B05B B05C B05D B29C

Documentation searched other than minimum documentation to the extent that such documents are included in the fields searched

Electronic data base consulted during the international search (name of data base and, where practicable, search terms used)
EPO-Internal, WPI Data

C. DOCUMENTS CONSIDERED TO BE RELEVANT

| Category* | Citation of document, with indication, where appropriate, of the relevant passages | Relevant to claim No. |
|-----------|--|-----------------------|
| X | WO 2013/115646 A1 (BLUEMARINE OFFSHORE YARD SERVICE B V [NL]) 8 August 2013 (2013-08-08) | 1-11,18, 20-27 |
| Y | figures 1-8 and relating description | 12,13,20 |
| A | page 2, lines 1-4 page 22, lines 29-32 | 19 |
| X | WO 2011/162747 A1 (LINE TRAVEL AUTOMATED COATING INC [CA]; TAYLOR SIDNEY [US]; ROGALA STA) 29 December 2011 (2011-12-29) figures 1-3 and relating description | 1-10,18, 21-26 |
| A | EP 2 535 168 A1 (SAIPEM SPA [IT]) 19 December 2012 (2012-12-19) figures 1-14 and relating description | 1-10,18, 21-26 |
| | ----- -/-- | |

Further documents are listed in the continuation of Box C.

See patent family annex.

* Special categories of cited documents :

"A" document defining the general state of the art which is not considered to be of particular relevance

"E" earlier application or patent but published on or after the international filing date

"L" document which may throw doubts on priority claim(s) or which is cited to establish the publication date of another citation or other special reason (as specified)

"O" document referring to an oral disclosure, use, exhibition or other means

"P" document published prior to the international filing date but later than the priority date claimed

"T" later document published after the international filing date or priority date and not in conflict with the application but cited to understand the principle or theory underlying the invention

"X" document of particular relevance; the claimed invention cannot be considered novel or cannot be considered to involve an inventive step when the document is taken alone

"Y" document of particular relevance; the claimed invention cannot be considered to involve an inventive step when the document is combined with one or more other such documents, such combination being obvious to a person skilled in the art

"&" document member of the same patent family

| | |
|--|--|
| Date of the actual completion of the international search 19 January 2017 | Date of mailing of the international search report 26/01/2017 |
|--|--|

| | |
|--|--|
| Name and mailing address of the ISA/ European Patent Office, P.B. 5818 Patentlaan 2 NL - 2280 HV Rijswijk Tel. (+31-70) 340-2040, Fax: (+31-70) 340-3016 | Authorized officer Schneider, Dominik |
|--|--|

INTERNATIONAL SEARCH REPORT

International application No
PCT/IB2016/054581

| C(Continuation). DOCUMENTS CONSIDERED TO BE RELEVANT | | |
|--|---|-----------------------|
| Category* | Citation of document, with indication, where appropriate, of the relevant passages | Relevant to claim No. |
| A | WO 2008/071773 A2 (SAIPEM SPA [IT]; CITTADINI BELLINI SERAFINO [IT]) 19 June 2008 (2008-06-19) figure 8 | 1-10,18, 21-26 |
| A | GB 2 285 592 A (HEAT PIPELINE INDUCTION LTD [GB]) 19 July 1995 (1995-07-19) the whole document | 1-10,18, 21-26 |
| Y | EP 2 783 756 A2 (INDUCTOTHERM HEATING & WELDING LTD [GB]) 1 October 2014 (2014-10-01) | 13 |
| A | paragraphs [0059], [0071], [0090] figures 2,3 | 11,12,27 |
| Y | WO 2009/024755 A1 (PIPELINE INDUCTION HEAT LTD [GB]; DAYKIN DAMIAN; RATCLIFFE CHRISTOFER) 26 February 2009 (2009-02-26) | 13 |
| A | figures 1-4 and relating description claim 1 | 11,12,27 |
| Y | US 5 186 755 A (CARLSON JR RONALD E [US] ET AL) 16 February 1993 (1993-02-16) fig.9-12 and relating description | 12 |
| Y | US 3 659 555 A (MALIVOIR ROGER MARCEL) 2 May 1972 (1972-05-02) | 20 |
| A | the whole document | 19 |
| A | US 5 352 292 A (THOMAS SAMUEL J [US]) 4 October 1994 (1994-10-04) figures 1-4 | 14-17 |
| A | US 5 725 668 A (FOSTER ELIZABETH F [US] ET AL) 10 March 1998 (1998-03-10) fig. 1 and relating description | 14-17 |
| A | EP 1 514 609 A2 (BETTERIDGE JOHN W [GB]) 16 March 2005 (2005-03-16) figs.6,7 and relating description | 14-17 |

INTERNATIONAL SEARCH REPORT

International application No.
PCT/IB2016/054581

Box No. II Observations where certain claims were found unsearchable (Continuation of item 2 of first sheet)

This international search report has not been established in respect of certain claims under Article 17(2)(a) for the following reasons:

1. Claims Nos.:
because they relate to subject matter not required to be searched by this Authority, namely:

2. Claims Nos.:
because they relate to parts of the international application that do not comply with the prescribed requirements to such an extent that no meaningful international search can be carried out, specifically:

3. Claims Nos.:
because they are dependent claims and are not drafted in accordance with the second and third sentences of Rule 6.4(a).

Box No. III Observations where unity of invention is lacking (Continuation of item 3 of first sheet)

This International Searching Authority found multiple inventions in this international application, as follows:

see additional sheet

1. As all required additional search fees were timely paid by the applicant, this international search report covers all searchable claims.

2. As all searchable claims could be searched without effort justifying an additional fees, this Authority did not invite payment of additional fees.

3. As only some of the required additional search fees were timely paid by the applicant, this international search report covers only those claims for which fees were paid, specifically claims Nos.:

4. No required additional search fees were timely paid by the applicant. Consequently, this international search report is restricted to the invention first mentioned in the claims; it is covered by claims Nos.:

Remark on Protest

- The additional search fees were accompanied by the applicant's protest and, where applicable, the payment of a protest fee.
- The additional search fees were accompanied by the applicant's protest but the applicable protest fee was not paid within the time limit specified in the invitation.
- No protest accompanied the payment of additional search fees.

FURTHER INFORMATION CONTINUED FROM PCT/ISA/ 210

This International Searching Authority found multiple (groups of) inventions in this international application, as follows:

1. claims: 1-10, 18, 21-26

rotational movable frame portion

2. claims: 11-13, 19, 20, 27

heater specification

3. claims: 14-17

application of polymer powder

INTERNATIONAL SEARCH REPORT

Information on patent family members

International application No

PCT/IB2016/054581

| Patent document cited in search report | Publication date | Patent family member(s) | Publication date | |
|--|------------------|-------------------------|--------------------|------------|
| WO 2013115646 | A1 | 08-08-2013 | AU 2013215694 A1 | 10-07-2014 |
| | | | CA 2861229 A1 | 08-08-2013 |
| | | | DK 2809451 T3 | 09-01-2017 |
| | | | EP 2809451 A1 | 10-12-2014 |
| | | | NL 2008206 C | 01-08-2013 |
| | | | RU 2014135396 A | 27-03-2016 |
| | | | SG 11201403231T A | 28-08-2014 |
| | | | US 2014370200 A1 | 18-12-2014 |
| | | | WO 2013115646 A1 | 08-08-2013 |
| | | | WO 2011162747 | A1 |
| US 2011311716 A1 | 22-12-2011 | | | |
| US 2015107512 A1 | 23-04-2015 | | | |
| WO 2011162747 A1 | 29-12-2011 | | | |
| EP 2535168 | A1 | 19-12-2012 | AU 2012270042 A1 | 16-01-2014 |
| | | | BR 112013032329 A2 | 20-12-2016 |
| | | | EP 2535168 A1 | 19-12-2012 |
| | | | EP 2700490 A1 | 26-02-2014 |
| | | | RU 2013157182 A | 27-07-2015 |
| | | | US 2014154409 A1 | 05-06-2014 |
| | | | WO 2012172451 A1 | 20-12-2012 |
| WO 2008071773 | A2 | 19-06-2008 | AU 2007331508 A1 | 19-06-2008 |
| | | | BR PI0720463 A2 | 14-01-2014 |
| | | | CA 2672395 A1 | 19-06-2008 |
| | | | CN 101631980 A | 20-01-2010 |
| | | | DK 2100068 T3 | 14-01-2013 |
| | | | EP 2100068 A2 | 16-09-2009 |
| | | | EP 2535629 A1 | 19-12-2012 |
| | | | EP 3009724 A2 | 20-04-2016 |
| | | | ES 2395865 T3 | 15-02-2013 |
| | | | MY 149054 A | 15-07-2013 |
| | | | RU 2009126768 A | 20-01-2011 |
| | | | US 2010065614 A1 | 18-03-2010 |
| | | | US 2012145309 A1 | 14-06-2012 |
| | | | US 2013312915 A1 | 28-11-2013 |
| | | | WO 2008071773 A2 | 19-06-2008 |
| GB 2285592 | A | 19-07-1995 | NONE | |
| EP 2783756 | A2 | 01-10-2014 | EP 2783756 A2 | 01-10-2014 |
| | | | HK 1198820 A1 | 12-06-2015 |
| | | | KR 20140118922 A | 08-10-2014 |
| | | | US 2014295100 A1 | 02-10-2014 |
| WO 2009024755 | A1 | 26-02-2009 | AU 2008290350 A1 | 26-02-2009 |
| | | | BR PI0815762 A2 | 14-04-2015 |
| | | | CA 2696695 A1 | 26-02-2009 |
| | | | EP 2197592 A1 | 23-06-2010 |
| | | | US 2011159192 A1 | 30-06-2011 |
| | | | WO 2009024755 A1 | 26-02-2009 |
| US 5186755 | A | 16-02-1993 | NONE | |
| US 3659555 | A | 02-05-1972 | CH 530228 A | 15-11-1972 |
| | | | DE 2048590 A1 | 15-04-1971 |
| | | | FR 2061922 A5 | 25-06-1971 |

INTERNATIONAL SEARCH REPORT

Information on patent family members

International application No

PCT/IB2016/054581

| Patent document cited in search report | Publication date | Patent family member(s) | Publication date |
|--|------------------|-------------------------|------------------|
| | | GB 1291328 A | 04-10-1972 |
| | | SE 373049 B | 27-01-1975 |
| | | US 3659555 A | 02-05-1972 |
| ----- | | | |
| US 5352292 | A | 04-10-1994 | |
| | | EP 0698420 A1 | 28-02-1996 |
| | | US 5352292 A | 04-10-1994 |
| ----- | | | |
| US 5725668 | A | 10-03-1998 | NONE |
| ----- | | | |
| EP 1514609 | A2 | 16-03-2005 | NONE |
| ----- | | | |