

(19) World Intellectual Property Organization  
International Bureau



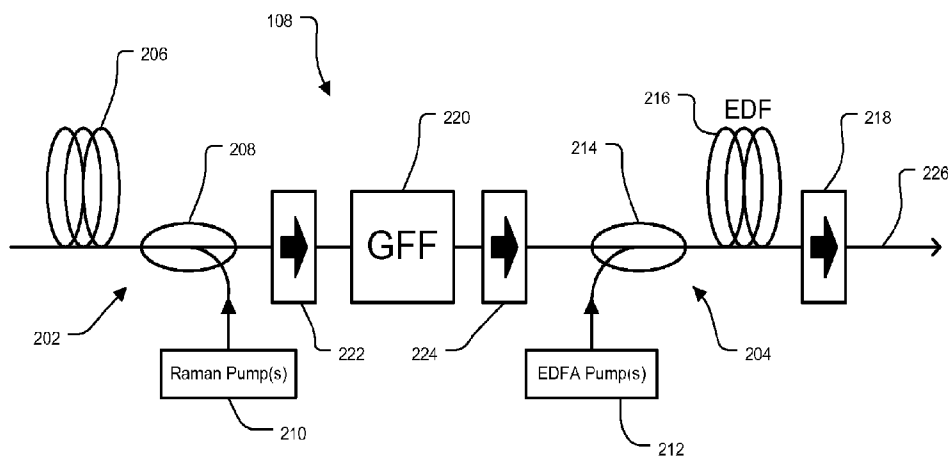
(43) International Publication Date  
27 March 2008 (27.03.2008)

PCT

(10) International Publication Number  
**WO 2008/036804 A3**

- (51) **International Patent Classification:**  
*HOIS 3/00 (2006.01)*
  - (21) **International Application Number:**  
PCT/US2007/079006
  - (22) **International Filing Date:**  
20 September 2007 (20.09.2007)
  - (25) **Filing Language:** English
  - (26) **Publication Language:** English
  - (30) **Priority Data:**  
11/534,026 21 September 2006 (21.09.2006) US
  - (71) **Applicant (for all designated States except US):** **TYCO TELECOMMUNICATIONS (US) INC.** [US/US]; 60 Columbia Road, Morristown, New Jersey 07960 (US).
  - (72) **Inventors; and**
  - (75) **Inventors/Applicants (for US only):** **NISSOV,, Morten** [DK/US]; 6 Mark Place, Ocean, New Jersey 07712 (US). **PILIPETSKII, Alexei N.** [US/US]; 7 Birch Lane, Colts Neck, New Jersey 07722 (US). **LUCERO,, Alan J.** [US/US]; 8 South Woodland Avenue, East Brunswick, New Jersey 08816 (US).
  - (74) **Agents:** **PERREAULT,, Donald J.** et al; Grossman, Tucker, Perreault & Pileger, PLLC, 55 South Commercial Street, Manchester, New Hampshire 03101 (US).
  - (81) **Designated States (unless otherwise indicated, for every kind of national protection available):** AE, AG, AL, AM, AT, AU, AZ, BA, BB, BG, BH, BR, BW, BY, BZ, CA, CH, CN, CO, CR, CU, CZ, DE, DK, DM, DO, DZ, EC, EE, EG, ES, FI, GB, GD, GE, GH, GM, GT, HN, HR, HU, ID, IL, IN, IS, JP, KE, KG, KM, KN, KP, KR, KZ, LA, LC, LK, LR, LS, LT, LU, LY, MA, MD, ME, MG, MK, MN, MW, MX, MY, MZ, NA, NG, NI, NO, NZ, OM, PG, PH, PL, PT, RO, RS, RU, SC, SD, SE, SG, SK, SL, SM, SV, SY, TJ, TM, TN, TR, TT, TZ, UA, UG, US, UZ, VC, VN, ZA, ZM, ZW
  - (84) **Designated States (unless otherwise indicated, for every kind of regional protection available):** ARIPO (BW, GH, GM, KE, LS, MW, MZ, NA, SD, SL, SZ, TZ, UG, ZM, ZW), Eurasian (AM, AZ, BY, KG, KZ, MD, RU, TJ, TM), European (AT, BE, BG, CH, CY, CZ, DE, DK, EE, ES, FI, FR, GB, GR, HU, IE, IS, IT, LT, LU, LV, MC, MT, NL, PL, PT, RO, SE, SI, SK, TR), OAPI (BF, BJ, CF, CG, CI, CM, GA, GN, GQ, GW, ML, MR, NE, SN, TD, TG).
- Published:**
- with international search report
  - before the expiration of the time limit for amending the claims and to be republished in the event of receipt of amendments
- (88) **Date of publication of the international search report:**  
27 November 2008

(54) **Title:** SYSTEM AND METHOD FOR GAIN EQUALIZATION AND OPTICAL COMMUNICATION SYSTEM INCORPORATING THE SAME



(57) **Abstract:** An optical amplifier including gain equalization and system incorporating the same. The amplifier includes a Raman portion and an EDFA portion with a gain flattening filter coupled between the Raman portion and the EDFA.

WO 2008/036804 A3

## INTERNATIONAL SEARCH REPORT

International application No

PCT/US 07/79006

<b>A CLASSIFICATION OF SUBJECT MATTER</b> IPC(8) - H01S 3/00 (2008.04) USPC - 359/337 1 According to International Patent Classification (IPC) or to both national classification and IPC		
<b>B FIELDS SEARCHED</b> Minimum documentation searched (classification system followed by classification symbols) USPC 359/37/1  Documentation searched other than minimum documentation to the extent that such documents are included in the fields searched USPC 359/334, 337, 337 1, 341 4-341 42 (text search - see terms below)  Electronic data base consulted during the international search (name of data base and, where practicable, search terms used) PubWEST(USPT,PGPB,EPAB,JPAB), Google Search Terms raman, erubium, edfa, raman pump, flattening filter, km, kilometer, ase, spontaneous, water, receiver, transmitter, mw		
<b>C DOCUMENTS CONSIDERED TO BE RELEVANT</b>		
Category*	Citation of document, with indication, where appropriate, of the relevant passages	Relevant to claim No
X -- Y	US 2004/0240042 A1 (CHARLET et al) 02 December 2004 (02 12 2004), entire document especially Fig 1, Paras [0033], [0042], [0058]	1, 7, 19 ----- 2-6, 8-18, 20-24
Y	US 2002/0131160 A1 (McNicol) 19 September 2002 (19 09 2002), entire document especially the Abstract, para [0020]	2, 3, 5-6, 9, 12-17, 18, 25-27
Y	US 2003/0142392 A1 (STRUTZ et al) 31 July 2003 (31 07 2003), entire document especially Fig 1, para [0031]	4, 13, 21-22, 26
Y	US 6,525,872 B1 (ZIARI et al) 25 February 2003 (25 02 2003), entire document especially Col 1, lns 17-35, col 4, lns 43-62, col 5, lns 10-14	3, 8, 10-11, 15, 17, 20-24, 25-27
A	US 6,724,524 B1 (EVANS et al) 20 April 2004 (20 04 2004), entire document	1-27
A	US 2002/0071173 A1 (LEE et al) 13 June 2002 (13 06 2002), entire document	1-27
<b>D Further documents are listed in the continuation of Box C</b>		
* Special categories of cited documents	"T" later document published after the international filing date or priority date and not in conflict with the application but cited to understand the principle or theory underlying the invention	
"A" document defining the general state of the art which is not considered to be of particular relevance	"X" document of particular relevance, the claimed invention cannot be considered novel or cannot be considered to involve an inventive step when the document is taken alone	
"E" earlier application or patent but published on or after the international filing date	"Y" document of particular relevance the claimed invention cannot be considered to involve an inventive step when the document is combined with one or more other such documents, such combination being obvious to a person skilled in the art	
"L" document which may throw doubts on priority claim(s) or which is cited to establish the publication date of another citation or other special reason (as specified)	"&" document member of the same patent family	
"O" document referring to an oral disclosure, use, exhibition or other means		
"P" document published prior to the international filing date but later than the priority date claimed		
Date of the actual completion of the international search	Date of mailing of the international search report	
15 September 2008 (15 09 2008)	<b>i 8 \$EP;nn»</b>	
Name and mailing address of the ISA/US Mail Stop PCT, Attn ISA/US, Commissioner for Patents P O Box 1450, Alexandria, Virginia 22313-1450 Facsimile No 571-273-3201	Authorized officer bee W Young  PCT Helpdesk 571 272-4300 PCTOSP 571-272 7774	