



US00D714360S

(12) **United States Design Patent**  
**Seo et al.**

(10) **Patent No.:** **US D714,360 S**

(45) **Date of Patent:** **\*\* Sep. 30, 2014**

(54) **REFRIGERATOR**

(71) Applicant: **LG Electronics Inc.**, Seoul (KR)

(72) Inventors: **Woonkyu Seo**, Seoul (KR); **Seonkyu Kim**, Seoul (KR); **Soomin Seo**, Seoul (KR); **Daesung Lee**, Gyeonggi-do (KR)

(73) Assignee: **LG Electronics Inc.**, Seoul (KR)

(\*\*) Term: **14 Years**

(21) Appl. No.: **29/458,966**

(22) Filed: **Jun. 25, 2013**

(30) **Foreign Application Priority Data**

Dec. 26, 2012 (KR) ..... 30-2012-0062318

(51) **LOC (10) Cl.** ..... **15-07**

(52) **U.S. Cl.**  
USPC ..... **D15/85**

(58) **Field of Classification Search**

USPC ..... D15/79-90; 62/3.6, 3.63, 3.64, 293,  
62/331, 371, 440-445, 467; 312/114-119,  
312/236, 400-408, 138.1, 139.1

See application file for complete search history.

(56) **References Cited**

**U.S. PATENT DOCUMENTS**

D629,021 S \* 12/2010 Cho et al. .... D15/85  
D658,215 S \* 4/2012 Seo et al. .... D15/86  
D672,375 S \* 12/2012 Lee et al. .... D15/86

D674,414 S \* 1/2013 Lee et al. .... D15/86  
D674,415 S \* 1/2013 Lee et al. .... D15/86  
D674,418 S \* 1/2013 Seo et al. .... D15/86  
D678,922 S \* 3/2013 Lee et al. .... D15/86  
D680,138 S \* 4/2013 Seo et al. .... D15/86  
D681,695 S \* 5/2013 Lee et al. .... D15/86  
D684,609 S \* 6/2013 Seo et al. .... D15/86  
D692,033 S \* 10/2013 Choi et al. .... D15/86  
D700,222 S \* 2/2014 Sin et al. .... D15/89

\* cited by examiner

*Primary Examiner* — Thomas Johannes

*Assistant Examiner* — Khawaja Anwar

(74) *Attorney, Agent, or Firm* — Morgan, Lewis & Bockius LLP

(57) **CLAIM**

The ornamental design for a refrigerator, as shown and described.

**DESCRIPTION**

FIG. 1 is a front, right side, perspective view of a refrigerator showing our new design;  
FIG. 2 is a front view thereof;  
FIG. 3 is a rear view thereof;  
FIG. 4 is a left side view thereof;  
FIG. 5 is a right side view thereof;  
FIG. 6 is a top view thereof; and,  
FIG. 7 is a bottom view thereof.

**1 Claim, 6 Drawing Sheets**

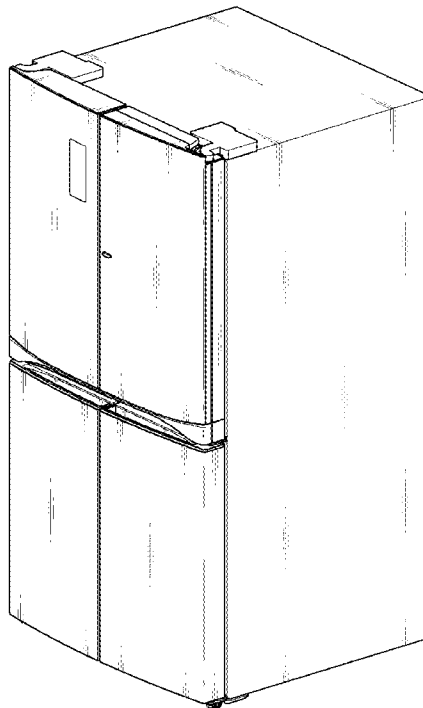


FIG. 1

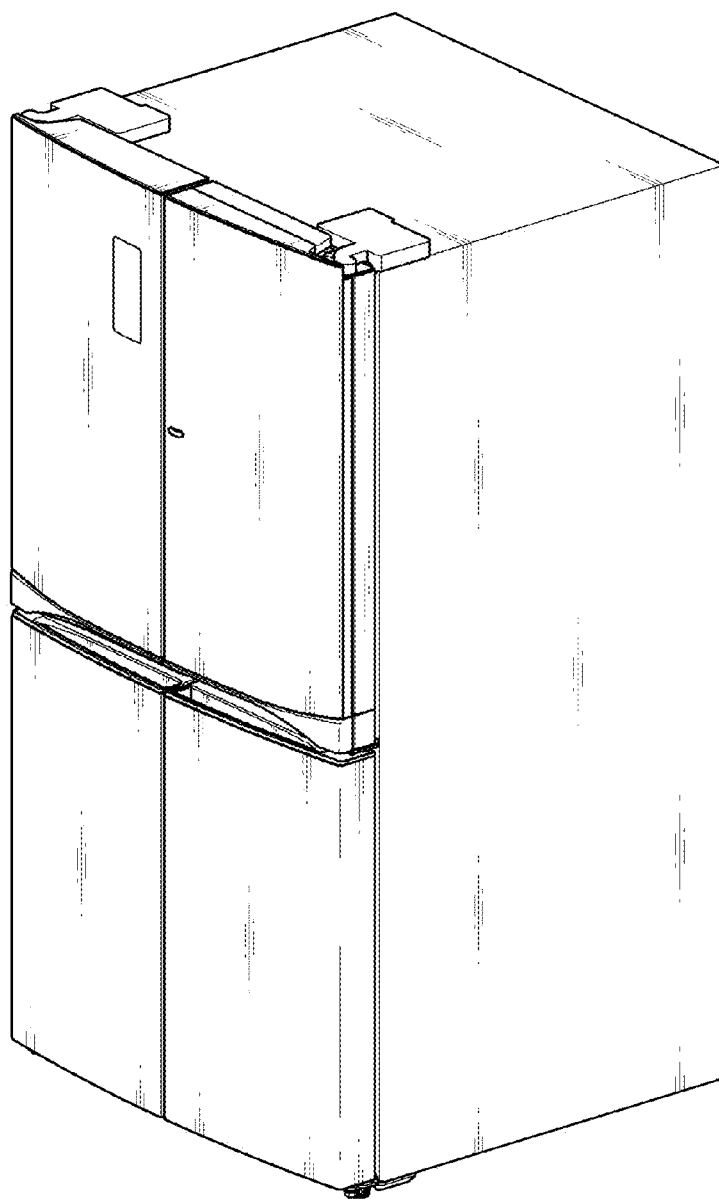


FIG. 2

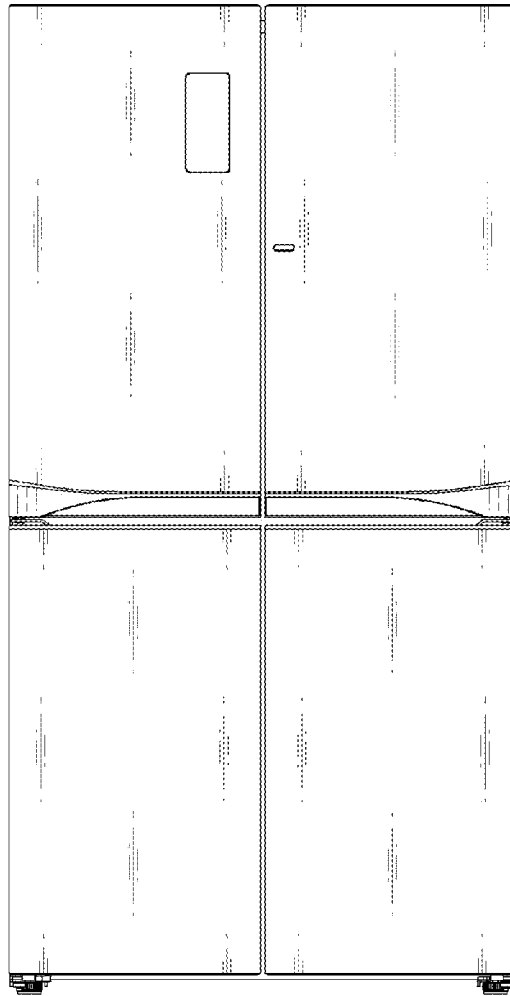


FIG. 3

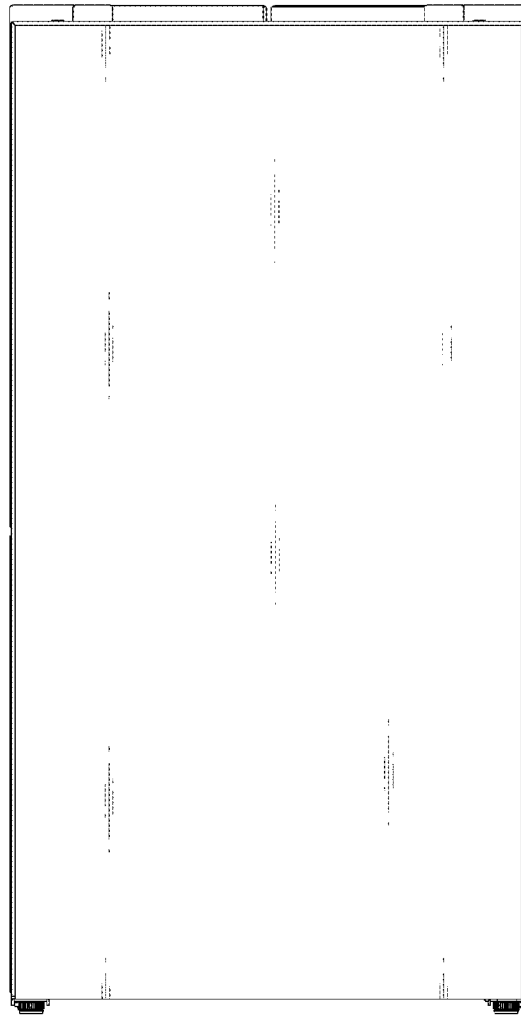


FIG. 4

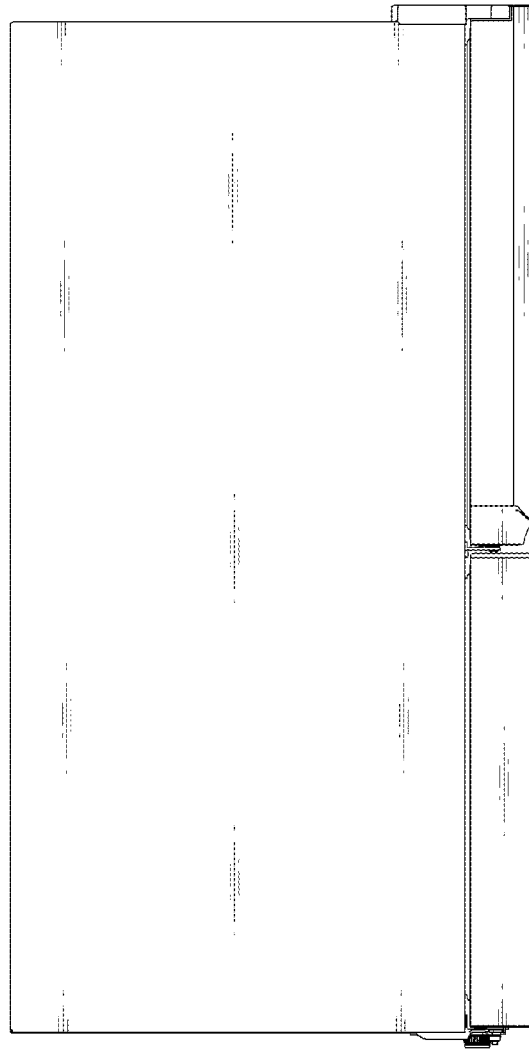


FIG. 5

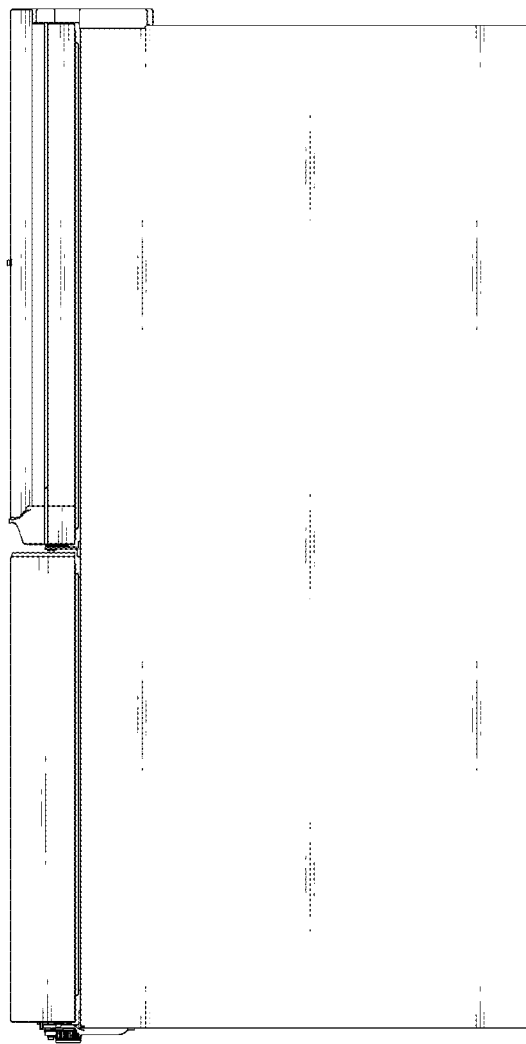


FIG. 6

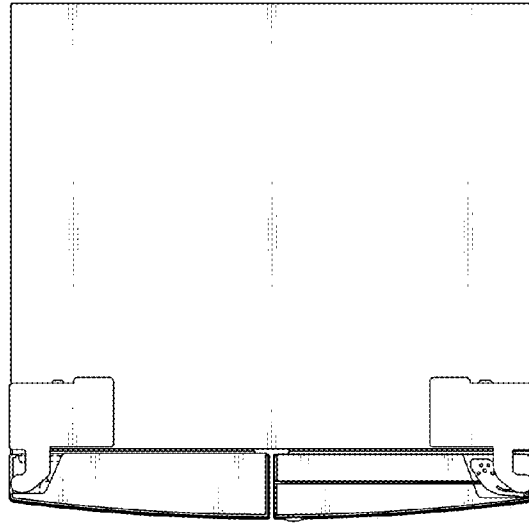


FIG. 7

