

(12) INTERNATIONAL APPLICATION PUBLISHED UNDER THE PATENT COOPERATION TREATY (PCT)

(19) World Intellectual Property Organization
International Bureau



(43) International Publication Date
27 February 2003 (27.02.2003)

PCT

(10) International Publication Number
WO 03/015643 A3

(51) International Patent Classification⁷: A61B 17/42

(21) International Application Number: PCT/ZA02/00128

(22) International Filing Date: 16 August 2002 (16.08.2002)

(25) Filing Language: English

(26) Publication Language: English

(30) Priority Data:
2001/6802 17 August 2001 (17.08.2001) ZA

(71) Applicant and

(72) Inventor: LUBBE, Francois, Jacques [ZA/ZA]; 9 Mayo Centre, 1st Floor, Floracliffe, 1709 Florida (ZA).

(74) Agent: LE ROUX, Marius; D M Kisch Inc, P O Box 781218, 2146 Sandton (ZA).

(81) Designated States (national): AE, AG, AL, AM, AT, AU, AZ, BA, BB, BG, BR, BY, BZ, CA, CH, CN, CO, CR, CU,

CZ, DE, DK, DM, DZ, EC, EE, ES, FI, GB, GD, GE, GH, GM, HR, HU, ID, IL, IN, IS, JP, KE, KG, KP, KR, KZ, LC, LK, LR, LS, LT, LU, LV, MA, MD, MG, MK, MN, MW, MX, MZ, NO, NZ, OM, PH, PL, PT, RO, RU, SD, SE, SG, SI, SK, SL, TJ, TM, TN, TR, TT, TZ, UA, UG, US, UZ, VN, YU, ZA, ZM, ZW.

(84) Designated States (regional): ARIPO patent (GH, GM, KE, LS, MW, MZ, SD, SL, SZ, TZ, UG, ZM, ZW), Eurasian patent (AM, AZ, BY, KG, KZ, MD, RU, TJ, TM), European patent (AT, BE, BG, CH, CY, CZ, DE, DK, EE, ES, FI, FR, GB, GR, IE, IT, LU, MC, NL, PT, SE, SK, TR), OAPI patent (BF, BJ, CF, CG, CI, CM, GA, GN, GQ, GW, ML, MR, NE, SN, TD, TG).

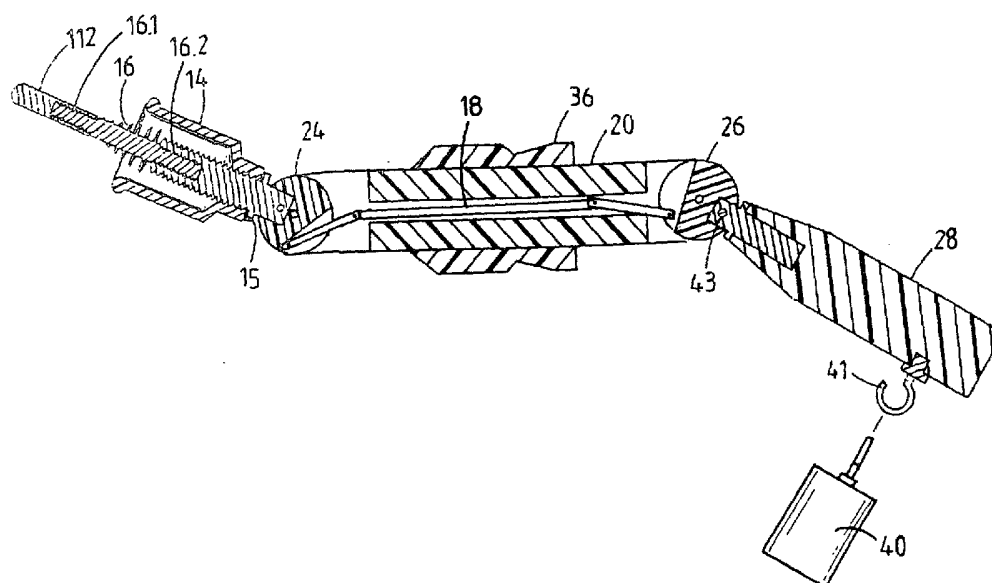
Published:

— with international search report

(88) Date of publication of the international search report:
16 October 2003

For two-letter codes and other abbreviations, refer to the "Guidance Notes on Codes and Abbreviations" appearing at the beginning of each regular issue of the PCT Gazette.

(54) Title: UTERUS MANIPULATION DEVICE FOR HYSTERECTOMY AND COLPOTOMY



(57) Abstract: The invention provides a manipulating device (10) suitable for manipulation of an uterus in colpotomy, hysterectomy or the like procedures, the device including: a guide means (12) for insertion into a cervix; a locating means (14) for locating the guide means (12) in the cervix; an engaging means (16) for engaging an internal wall of the cervix; and an operating system (20) for controlling movement of the guide means (12) inside the cervix.



WO 03/015643 A3

INTERNATIONAL SEARCH REPORT

International Application No

PCT/ZA 02/00128

A. CLASSIFICATION OF SUBJECT MATTER

IPC 7 A61B17/42

According to International Patent Classification (IPC) or to both national classification and IPC

B. FIELDS SEARCHED

Minimum documentation searched (classification system followed by classification symbols)

IPC 7 A61B

Documentation searched other than minimum documentation to the extent that such documents are included in the fields searched

Electronic data base consulted during the international search (name of data base and, where practical, search terms used)

EPO-Internal, PAJ, WPI Data

C. DOCUMENTS CONSIDERED TO BE RELEVANT

Category *	Citation of document, with indication, where appropriate, of the relevant passages	Relevant to claim No.
X	FR 2 745 171 A (HOURCABIE JACQUES ALAIN) 29 August 1997 (1997-08-29) page 4, line 20 -page 6, line 16 ---	1,3-9
X	WO 93 18713 A (HODGSON JAMES F) 30 September 1993 (1993-09-30) page 3, line 15 -page 7, line 6 ---	1,2
A	FR 2 697 989 A (HOURCABIE JACQUES) 20 May 1994 (1994-05-20) page 4, line 5 - line 14 page 5, line 31 - line 34 ---	11
A	EP 0 319 394 A (SOVAK MILOS M D) 7 June 1989 (1989-06-07) column 4, line 11 - line 44 -----	13-15

 Further documents are listed in the continuation of box C. Patent family members are listed in annex.

* Special categories of cited documents :

"A" document defining the general state of the art which is not considered to be of particular relevance

"E" earlier document but published on or after the international filing date

"L" document which may throw doubts on priority claim(s) or which is cited to establish the publication date of another citation or other special reason (as specified)

"O" document referring to an oral disclosure, use, exhibition or other means

"P" document published prior to the international filing date but later than the priority date claimed

"T" later document published after the international filing date or priority date and not in conflict with the application but cited to understand the principle or theory underlying the invention

"X" document of particular relevance; the claimed invention cannot be considered novel or cannot be considered to involve an inventive step when the document is taken alone

"Y" document of particular relevance; the claimed invention cannot be considered to involve an inventive step when the document is combined with one or more other such documents, such combination being obvious to a person skilled in the art.

"&" document member of the same patent family

Date of the actual completion of the international search

25 November 2002

Date of mailing of the international search report

25.03.03

Name and mailing address of the ISA

European Patent Office, P.B. 5818 Patentlaan 2
NL - 2280 HV Rijswijk
Tel. (+31-70) 340-2040, Tx. 31 651 epo nl,
Fax: (+31-70) 340-3016

Authorized officer

Angeli, M

INTERNATIONAL SEARCH REPORT

International application No.
PCT/ZA 02/00128

Box I Observations where certain claims were found unsearchable (Continuation of item 1 of first sheet)

This International Search Report has not been established in respect of certain claims under Article 17(2)(a) for the following reasons:

1. Claims Nos.: 22-31
because they relate to subject matter not required to be searched by this Authority, namely:
Rule 39.1(iv) PCT - Method for treatment of the human or animal body by surgery
2. Claims Nos.: 12,16,21
because they relate to parts of the International Application that do not comply with the prescribed requirements to such an extent that no meaningful International Search can be carried out, specifically:
see FURTHER INFORMATION sheet PCT/ISA/210
3. Claims Nos.:
because they are dependent claims and are not drafted in accordance with the second and third sentences of Rule 6.4(a).

Box II Observations where unity of invention is lacking (Continuation of item 2 of first sheet)

This International Searching Authority found multiple inventions in this international application, as follows:

see additional sheet

1. As all required additional search fees were timely paid by the applicant, this International Search Report covers all searchable claims.
2. As all searchable claims could be searched without effort justifying an additional fee, this Authority did not invite payment of any additional fee.
3. As only some of the required additional search fees were timely paid by the applicant, this International Search Report covers only those claims for which fees were paid, specifically claims Nos.:
4. No required additional search fees were timely paid by the applicant. Consequently, this International Search Report is restricted to the invention first mentioned in the claims; it is covered by claims Nos.:
1-11,13-15

Remark on Protest

- The additional search fees were accompanied by the applicant's protest.
 No protest accompanied the payment of additional search fees.

FURTHER INFORMATION CONTINUED FROM PCT/ISA/ 210

This International Searching Authority found multiple (groups of) inventions in this international application, as follows:

1. Claims: 1-11,13-15

A manipulation device suitable for manipulation of an uterus comprising a cup and a colpotomy/hysterectomy kit comprising the latter manipulation device.

2. Claims: 17-20

A diagnostic or treatment device comprising a fluid duct and a tapered plug device.

FURTHER INFORMATION CONTINUED FROM PCT/ISA/ 210

Continuation of Box I.2

Claims Nos.: 12,16,21

The subject-matter is described with reference to the drawings, which is not allowed pursuant to Rule 6.2(a).

The applicant's attention is drawn to the fact that claims, or parts of claims, relating to inventions in respect of which no international search report has been established need not be the subject of an international preliminary examination (Rule 66.1(e) PCT). The applicant is advised that the EPO policy when acting as an International Preliminary Examining Authority is normally not to carry out a preliminary examination on matter which has not been searched. This is the case irrespective of whether or not the claims are amended following receipt of the search report or during any Chapter II procedure.

INTERNATIONAL SEARCH REPORT

 International Application No
 PCT/ZA 02/00128

Patent document cited in search report		Publication date	Patent family member(s)	Publication date
FR 2745171	A	29-08-1997	FR 2745171 A1	29-08-1997
WO 9318713	A	30-09-1993	WO 9318713 A1	30-09-1993
			AU 2224292 A	21-10-1993
FR 2697989	A	20-05-1994	FR 2697989 A1	20-05-1994
			AU 5565894 A	08-06-1994
			WO 9410926 A1	26-05-1994
EP 0319394	A	07-06-1989	AU 2567188 A	01-06-1989
			DK 668088 A	31-05-1989
			EP 0319394 A1	07-06-1989
			JP 2004392 A	09-01-1990
			US 5259836 A	09-11-1993