



US00D330238S

United States Patent [19]

[11] Patent Number: Des. 330,238

Desiderio

[45] Date of Patent: ** Oct. 13, 1992

[54] PHYSICAL EXERCISER

D. 300,048	2/1989	Grider	D21/195
4,456,245	6/1984	Baldwin	272/143
4,900,018	2/1990	Ish et al.	272/143

[76] Inventor: **Ronald Desiderio**, 400 Wharton Cir., SW., Atlanta, Ga. 30336

Primary Examiner—Charles A. Rademaker
Attorney, Agent, or Firm—Myron Amer

[**] Term: **14 Years**

[21] Appl. No.: **315,777**

[57] CLAIM

[22] Filed: **Feb. 27, 1989**

The ornamental design for a physical exerciser, as shown and described.

[52] U.S. Cl. **D21/195**

[58] Field of Search **D21/191-199;**
273/93, 125, 130, 133, 134, 142, 143, 144, 118,
136, 117

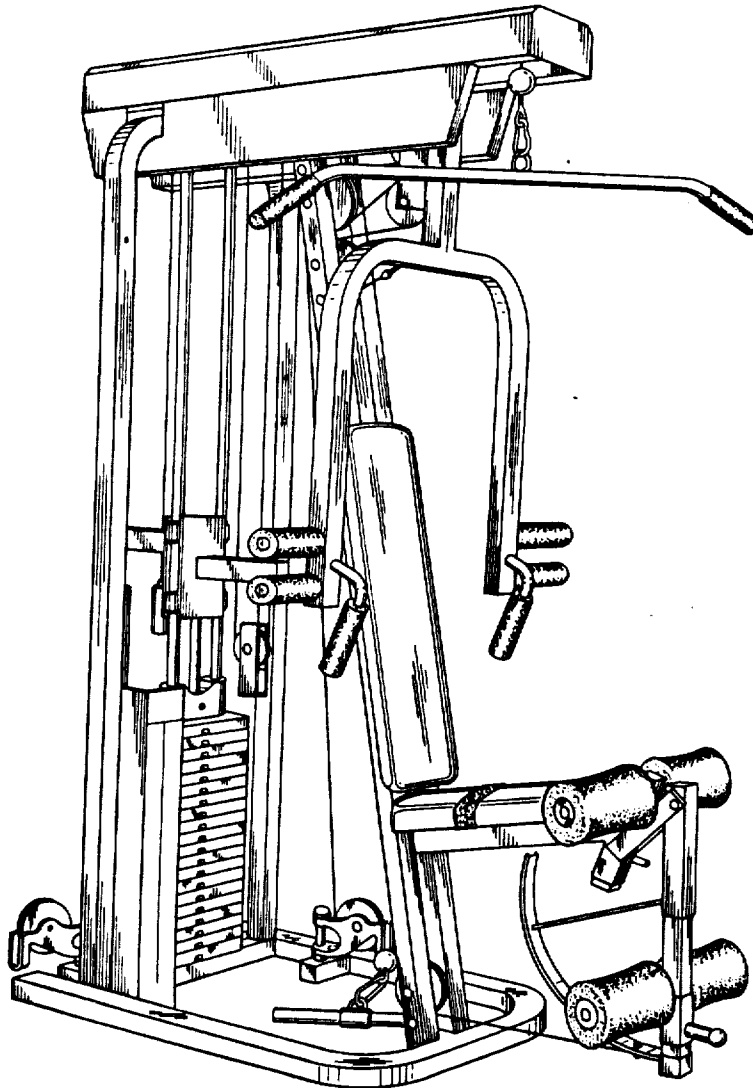
DESCRIPTION

[56] References Cited

U.S. PATENT DOCUMENTS

D. 262,812	1/1982	Lambert et al.	D21/195
D. 284,297	6/1986	Mahnke	D21/195
D. 288,451	2/1987	Irvine et al.	D21/195
D. 289,784	5/1987	Carey et al.	D21/195

FIG. 1 is a perspective view of a physical exerciser showing my new design;
FIG. 2 is a top plan view thereof;
FIG. 3 is a front elevational view thereof;
FIG. 4 is a right side elevational view thereof;
FIG. 5 is a rear elevational view thereof;
FIG. 6 is a left side elevational view thereof; and,
FIG. 7 is a bottom plan view thereof.



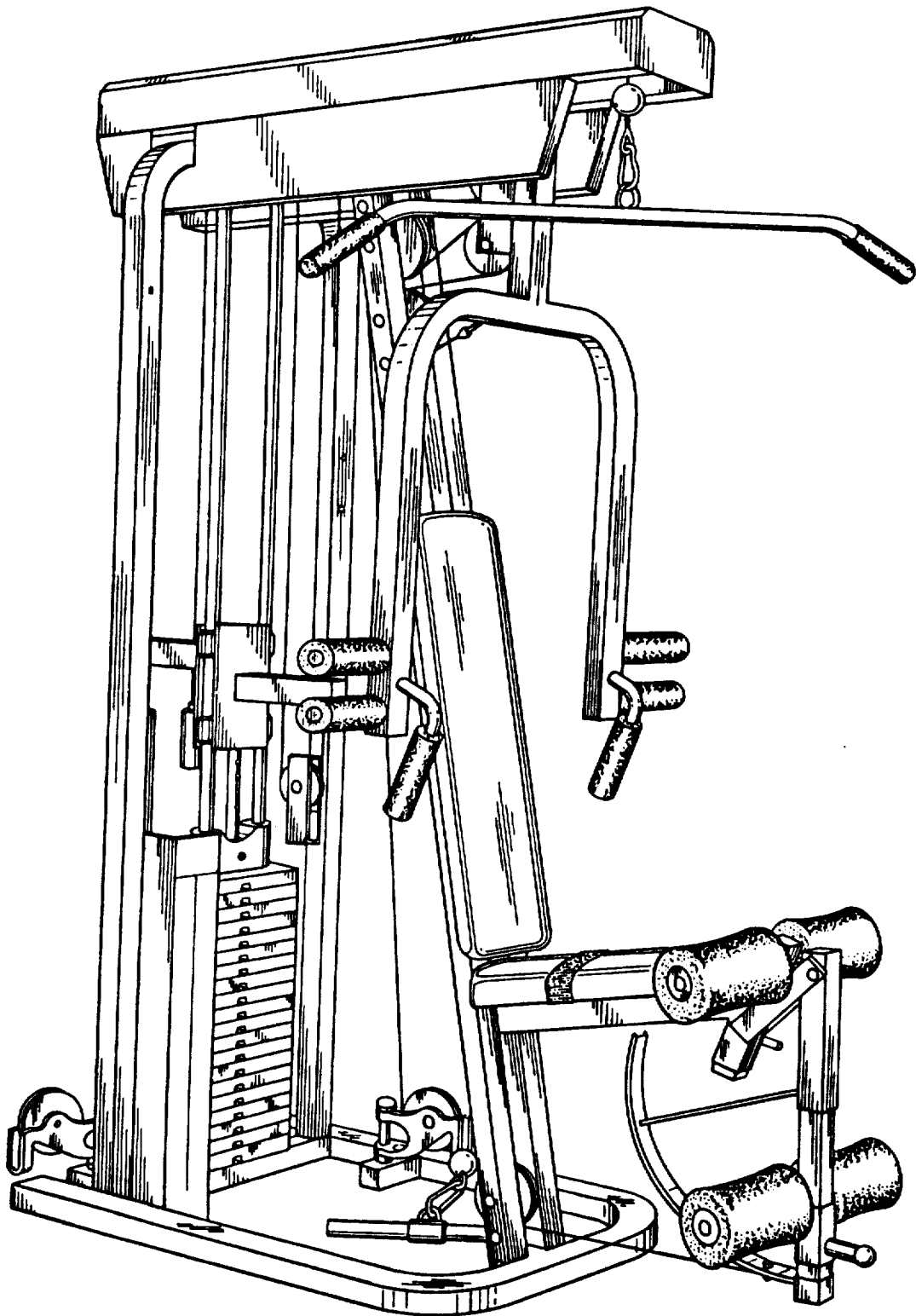


FIG. 1

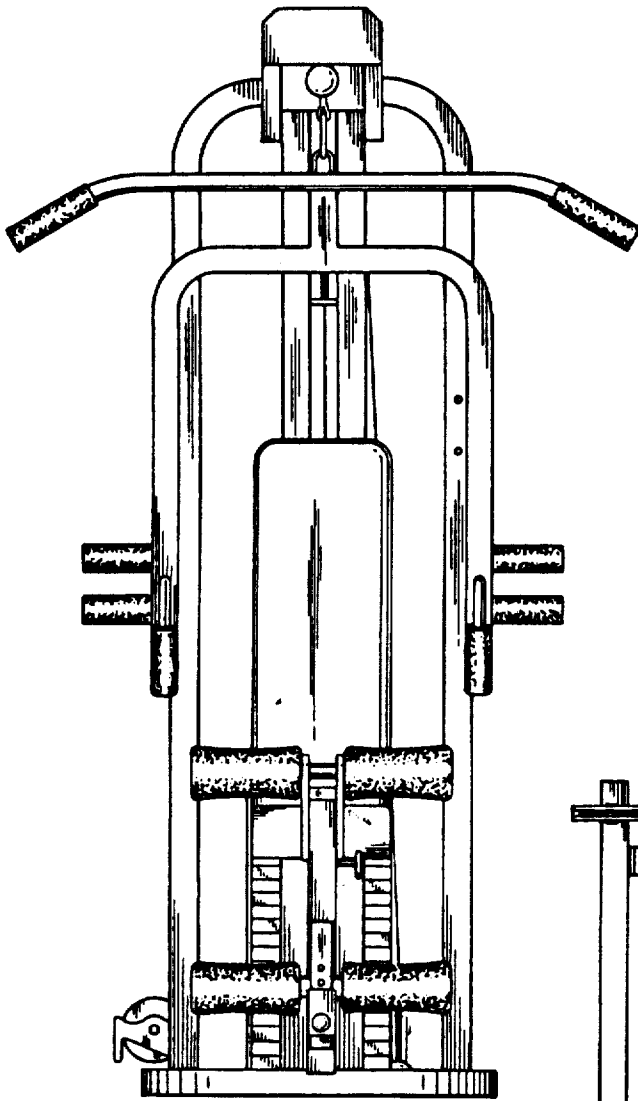


FIG. 3

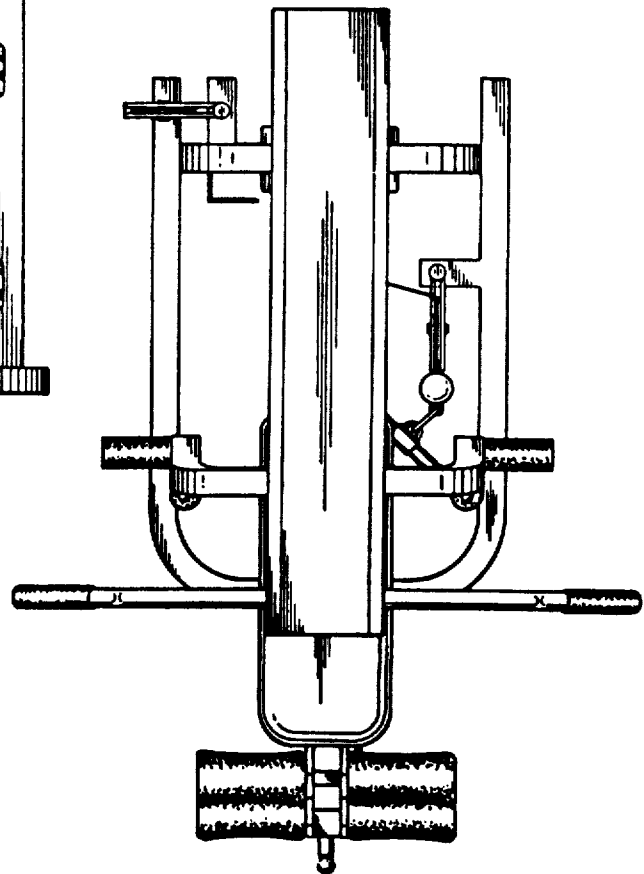


FIG. 2

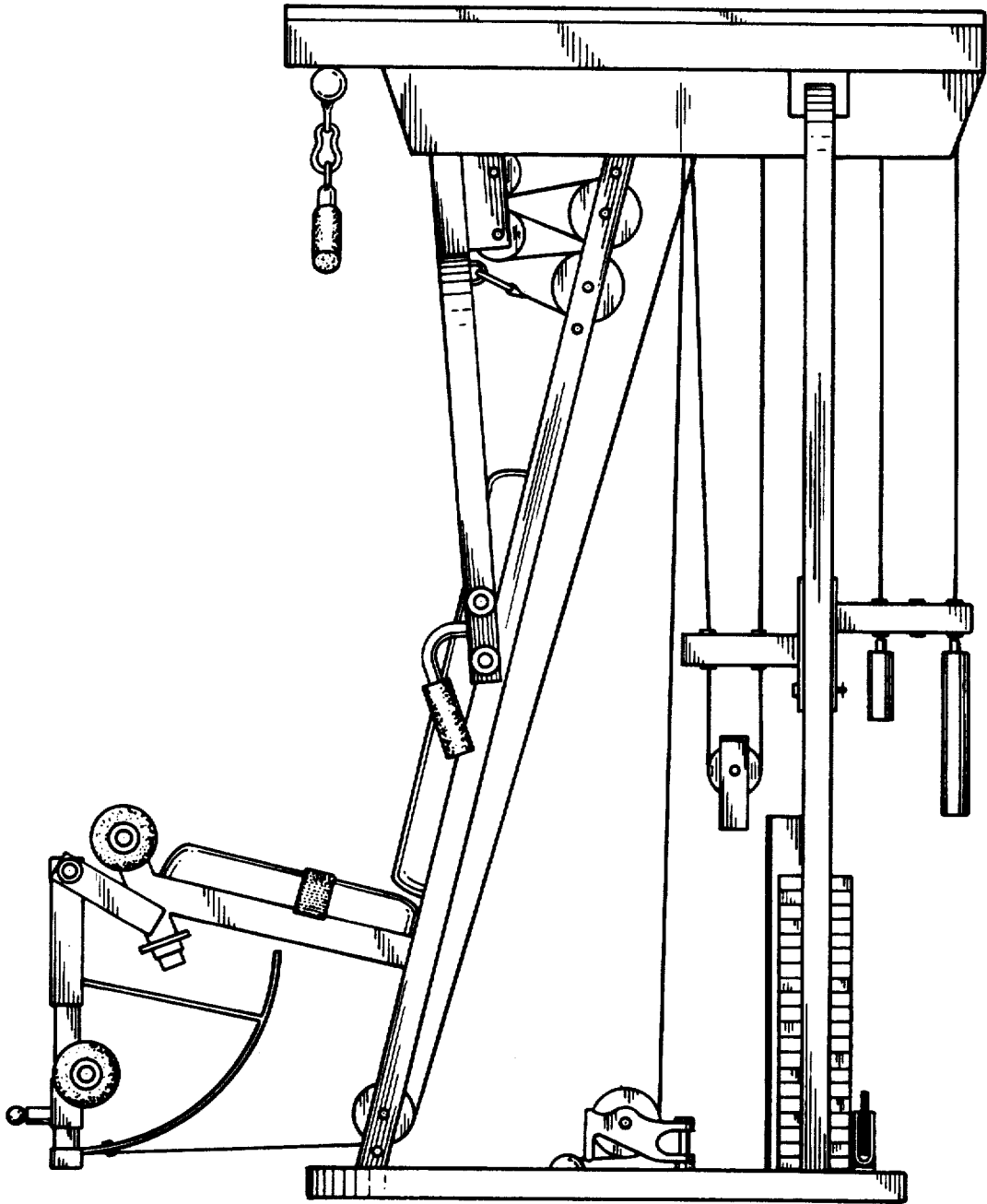


FIG.4

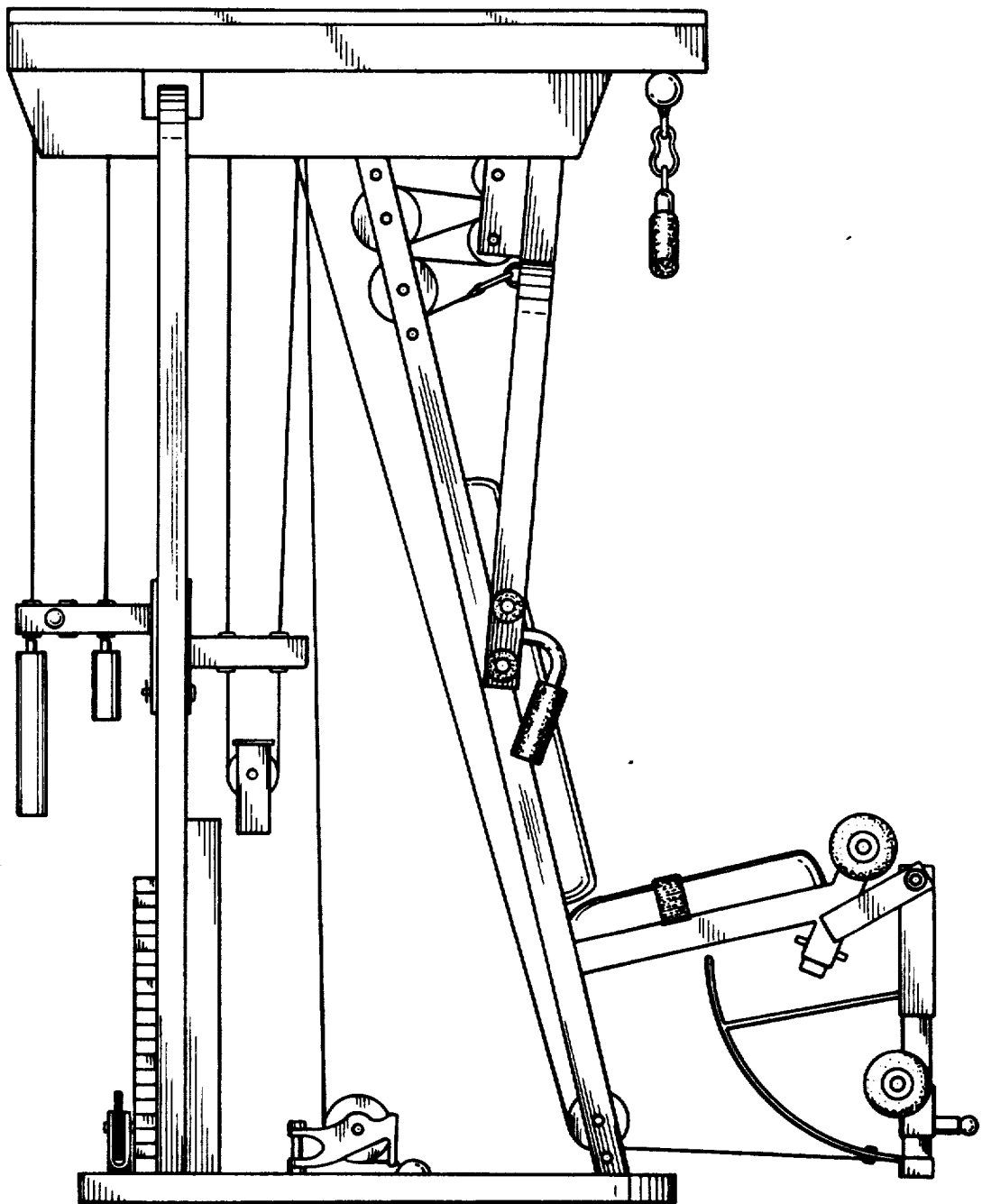


FIG.5

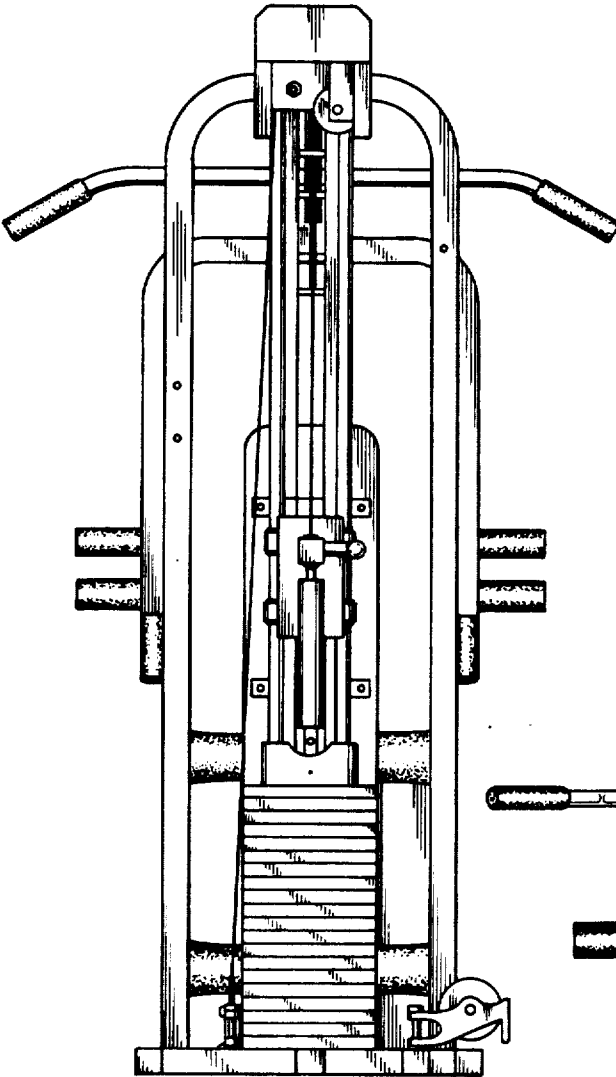


FIG. 6

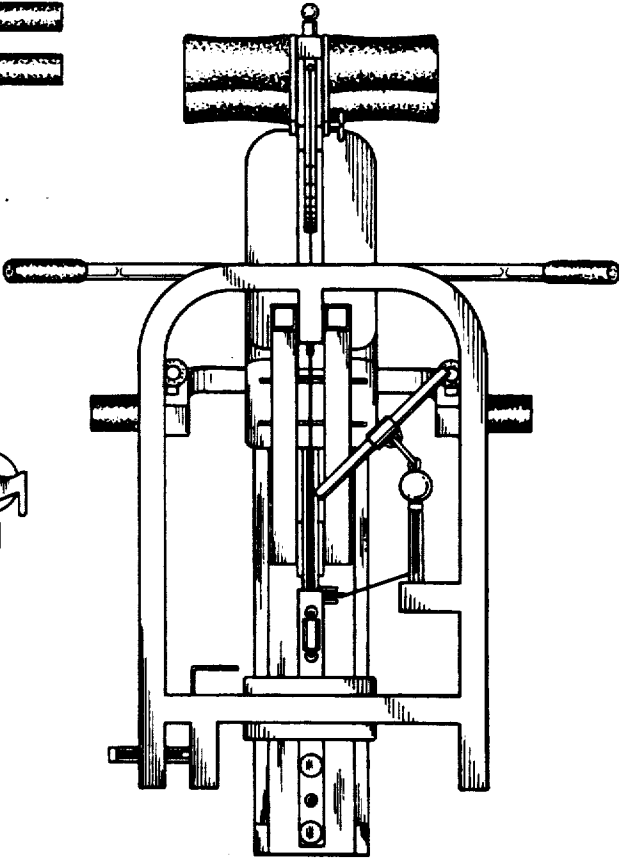


FIG. 7