

(19) World Intellectual Property Organization
International Bureau



(43) International Publication Date
3 October 2002 (03.10.2002)

PCT

(10) International Publication Number
WO 02/076335 A3

(51) International Patent Classification⁷: A61F 2/44

(21) International Application Number: PCT/US02/06661

(22) International Filing Date: 26 March 2002 (26.03.2002)

(25) Filing Language: English

(26) Publication Language: English

(30) Priority Data:

60/279,205	27 March 2001 (27.03.2001)	US
60/281,714	4 April 2001 (04.04.2001)	US
Not furnished	22 March 2002 (22.03.2002)	US
10/105,839	25 March 2002 (25.03.2002)	US

(71) Applicant and

(72) Inventor: MICHELSON, Gary K. [US/US]; 438 Sherman Canal, Venice, CA 90291 (US).

(74) Agents: FLESHNER, Mark L. et al.; FLESHNER & KIM, LLP, P.O. Box 221200, Chantilly, VA 20153-1200 (US).

(81) Designated States (*national*): AE, AG, AL, AM, AT, AU, AZ, BA, BB, BG, BR, BY, BZ, CA, CH, CN, CO, CR, CU, CZ, DE, DK, DM, DZ, EC, EE, ES, FI, GB, GD, GE, GH, GM, HR, HU, ID, IL, IN, IS, JP, KE, KG, KP, KR, KZ, LC, LK, LR, LS, LT, LU, LV, MA, MD, MG, MK, MN, MW, MX, MZ, NO, NZ, OM, PH, PL, PT, RO, RU, SD, SE, SG, SI, SK, SL, TJ, TM, TN, TR, TT, TZ, UA, UG, UZ, VN, YU, ZA, ZM, ZW.

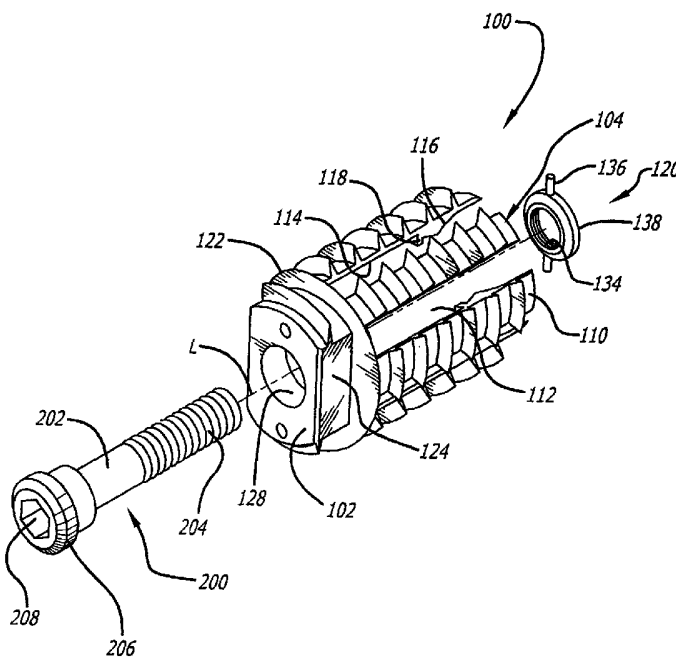
(84) Designated States (*regional*): ARIPO patent (GH, GM, KE, LS, MW, MZ, SD, SL, SZ, TZ, UG, ZM, ZW), Eurasian patent (AM, AZ, BY, KG, KZ, MD, RU, TJ, TM), European patent (AT, BE, CH, CY, DE, DK, ES, FI, FR, GB, GR, IE, IT, LU, MC, NL, PT, SE, TR), OAPI patent (BF, BJ, CF, CG, CI, CM, GA, GN, GQ, GW, ML, MR, NE, SN, TD, TG).

Published:

- with international search report
- before the expiration of the time limit for amending the claims and to be republished in the event of receipt of amendments

[Continued on next page]

(54) Title: RADIALLY EXPANDING INTERBODY SPINAL FUSION IMPLANTS AND INSTRUMENTATION FOR INSERTION THEREOF



(57) Abstract: Interbody spinal fusion implants (100) being at least in part radially expandable at one of the leading (104) or trailing (102) ends to expand both the height and at least a portion of the width of the implant (100). Instruments (300) and methods for inserting the implants (100) into an implantation space in the spine are disclosed.



WO 02/076335 A3



(88) Date of publication of the international search report:
20 February 2003

For two-letter codes and other abbreviations, refer to the "Guidance Notes on Codes and Abbreviations" appearing at the beginning of each regular issue of the PCT Gazette.

INTERNATIONAL SEARCH REPORT

International application No.
PCT/US02/06661

A. CLASSIFICATION OF SUBJECT MATTER

IPC(7) :A61F 2/44

US CL :623/17.11

According to International Patent Classification (IPC) or to both national classification and IPC

B. FIELDS SEARCHED

Minimum documentation searched (classification system followed by classification symbols)

U.S. : 623/16.11, 17.11, 17.15, 17.16; 606/61

Documentation searched other than minimum documentation to the extent that such documents are included in the fields searched

Electronic data base consulted during the international search (name of data base and, where practicable, search terms used)

C. DOCUMENTS CONSIDERED TO BE RELEVANT

Category*	Citation of document, with indication, where appropriate, of the relevant passages	Relevant to claim No.
X	US 5,059,193 A (KUSLICH) 22 October 1991, see entire document.	1, 54
X	US 5,390,683 A (PISHARODI) 21 February 1995, see entire document.	1, 54, 126
X	US 5,609,636 A (KOHRS et al) 11 MARCH 1997, see entire document.	108, 133, 136
X	US 5,713,904 A (ERRICO et al) 03 February 1998, see entire document.	1, 54, 126
X	US 5,968,098 A (WINSLOW) 19 October 1999, see entire document.	108, 133, 136
X	US 6,129,763 A (CHAUVIN et al) 10 October 2000, see entire document.	1, 54, 126

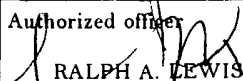
 Further documents are listed in the continuation of Box C. See patent family annex.

* Special categories of cited documents:	"T" later document published after the international filing date or priority date and not in conflict with the application but cited to understand the principle or theory underlying the invention
"A" document defining the general state of the art which is not considered to be of particular relevance	"X" document of particular relevance; the claimed invention cannot be considered novel or cannot be considered to involve an inventive step when the document is taken alone
"E" earlier document published on or after the international filing date	"Y" document of particular relevance; the claimed invention cannot be considered to involve an inventive step when the document is combined with one or more other such documents, such combination being obvious to a person skilled in the art
"L" document which may throw doubts on priority claim(s) or which is cited to establish the publication date of another citation or other special reason (as specified)	"&" document member of the same patent family
"O" document referring to an oral disclosure, use, exhibition or other means	
"P" document published prior to the international filing date but later than the priority date claimed	

Date of the actual completion of the international search 12 AUGUST 2002	Date of mailing of the international search report 19 DEC 2002
---	--

Name and mailing address of the ISA/US
Commissioner of Patents and Trademarks
Box PCT
Washington, D.C. 20231

Facsimile No. (703) 805-3230

Authorized officer

RALPH A. LEWIS

Telephone No. (703) 808-0770