



US00D357693S

# United States Patent [19]

[11] Patent Number: **Des. 357,693**

Niebauer

[45] Date of Patent: **\*\* Apr. 25, 1995**

[54] **CUTTING TOOL INSERT**

D. 311,010 10/1990 Niebauer ..... D15/139  
5,246,315 9/1993 Hansson et al. .... 407/114

[75] Inventor: **Kenneth L. Niebauer, Raleigh, N.C.**

*Primary Examiner*—Alan P. Douglas  
*Assistant Examiner*—Antoine D. Davis  
*Attorney, Agent, or Firm*—James G. Porcelli

[73] Assignee: **Kennametal Inc., Latrobe, Pa.**

[\*\*] Term: **14 Years**

[57] **CLAIM**

[21] Appl. No.: **20,212**

The ornamental design for a cutting tool insert, as shown and described.

[22] Filed: **Mar. 22, 1994**

[52] U.S. Cl. .... **D15/139**

[58] Field of Search ..... D15/139; 407/110, 111,  
407/112, 113, 114, 115, 116

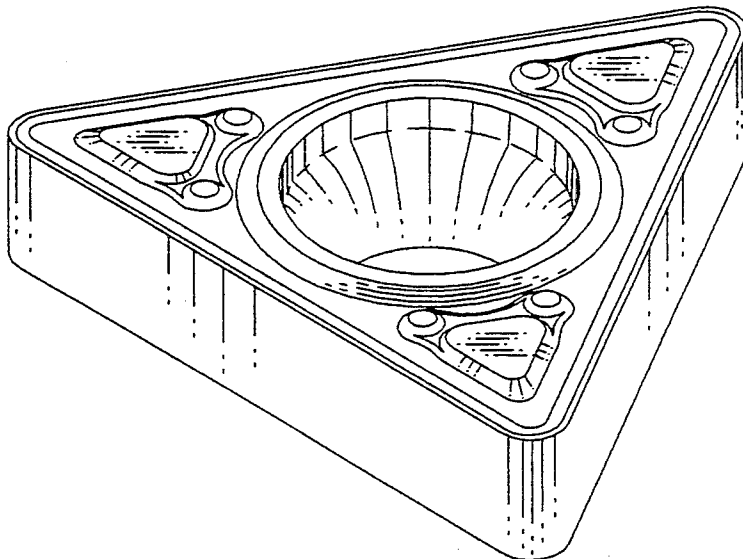
**DESCRIPTION**

[56] **References Cited**

**U.S. PATENT DOCUMENTS**

D. 304,949 12/1989 Niebauer ..... D15/139  
D. 305,239 12/1989 Niebauer ..... D15/139

FIG. 1 is a perspective view of a cutting tool insert showing my new design;  
FIG. 2 is a top plan view;  
FIG. 3 is a side elevational view, all remaining sides being identical thereto; and,  
FIG. 4 is a cross-sectional view taken along line IV—IV in FIG. 2.



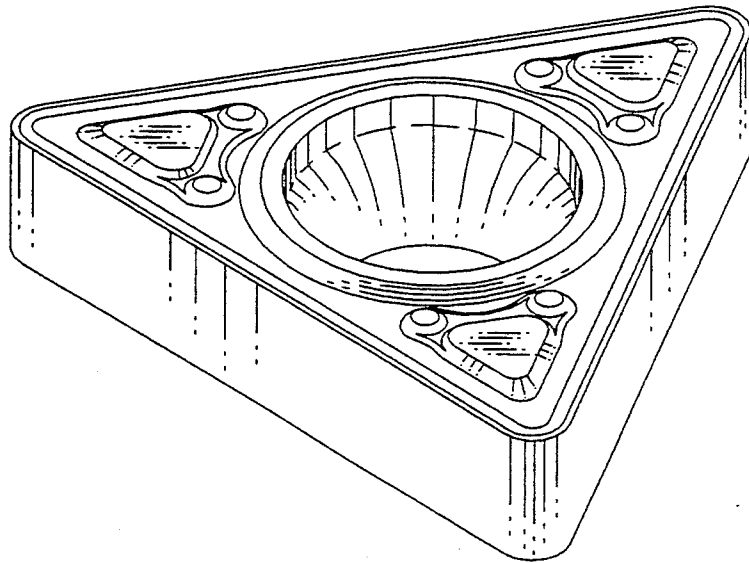


Figure 1

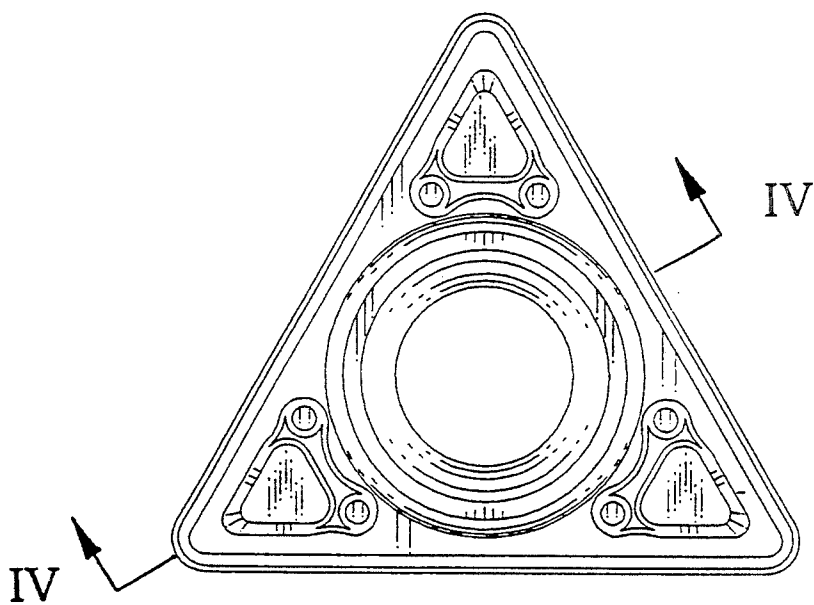


Figure 2



Figure 3

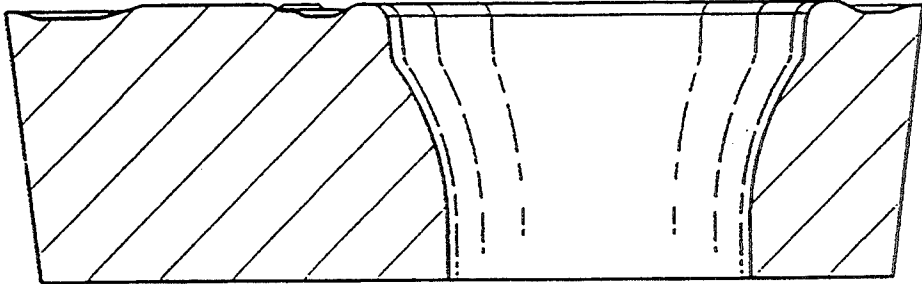


Figure 4