

(19) World Intellectual Property Organization
International Bureau



(43) International Publication Date
24 January 2002 (24.01.2002)

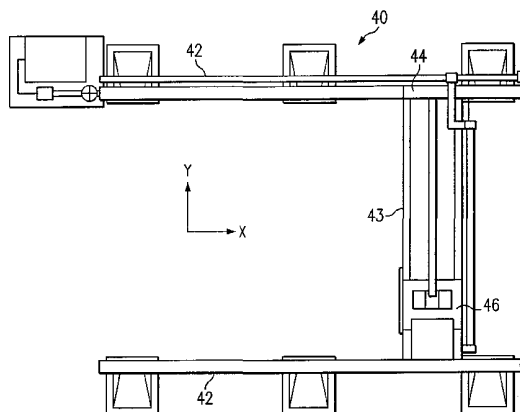
PCT

(10) International Publication Number
WO 02/06848 A2

- (51) International Patent Classification⁷: **G01S 3/00**
- (21) International Application Number: PCT/US01/22288
- (22) International Filing Date: 16 July 2001 (16.07.2001)
- (25) Filing Language: English
- (26) Publication Language: English
- (30) Priority Data:
60/218,340 14 July 2000 (14.07.2000) US
- (71) Applicant: **LOCKHEED MARTIN CORPORATION**
[US/US]; 6801 Rockledge Drive, Bethesda, MD 20817 (US).
- (72) Inventor: **DRAKE, Thomas, E., Jr.**; 2418 5th Avenue, Fort Worth, TX 76110 (US).
- (74) Agent: **HULSEY, William, N.**; Hughes & Luce, L.L.P., Suite 2800, 1717 Main Street, Dallas, TX 75210 (US).
- (81) Designated States (*national*): AE, AG, AL, AM, AT, AU, AZ, BA, BB, BG, BR, BY, BZ, CA, CH, CN, CR, CU, CZ, DE, DK, DM, DZ, EE, ES, FI, GB, GD, GE, GH, GM, HR, HU, ID, IL, IN, IS, JP, KE, KG, KP, KR, KZ, LC, LK, LR, LS, LT, LU, LV, MA, MD, MG, MK, MN, MW, MX, MZ, NO, NZ, PL, PT, RO, RU, SD, SE, SG, SI, SK, SL, TJ, TM, TR, TT, TZ, UA, UG, UZ, VN, YU, ZA, ZW.
- (84) Designated States (*regional*): ARIPO patent (GH, GM, KE, LS, MW, MZ, SD, SL, SZ, TZ, UG, ZW), Eurasian patent (AM, AZ, BY, KG, KZ, MD, RU, TJ, TM), European patent (AT, BE, CH, CY, DE, DK, ES, FI, FR, GB, GR, IE, IT, LU, MC, NL, PT, SE, TR), OAPI patent (BF, BJ, CF, CG, CI, CM, GA, GN, GW, ML, MR, NE, SN, TD, TG).
- Published:**
— without international search report and to be republished upon receipt of that report

For two-letter codes and other abbreviations, refer to the "Guidance Notes on Codes and Abbreviations" appearing at the beginning of each regular issue of the PCT Gazette.

(54) Title: SYSTEM AND METHOD FOR LOCATING AND POSITIONING AN ULTRASONIC SIGNAL GENERATOR FOR TESTING PURPOSES



(57) Abstract: The invention is directed to an ultrasonic testing system. The system tests a manufactured part for various physical attributes, including specific flaws, defects, or composition of materials. The part can be housed in a gantry system that holds the part stable. An energy generator illuminates the part within energy and the part emanates energy from that illumination. Based on the emanations from the part, the system can determine precisely where the part is in free space. The energy illumination device and the receptor have a predetermined relationship in free space. This means the location of the illumination mechanism and the reception mechanism is known. Additionally, the coordinates of the actual testing device also have a predetermined relationship to the illumination device, the reception device, or both. Thus, when one fixes the points in free space where the part is relative to either of the illumination device or the reception device, one can fix the point and/or orientation of the testing device to that part as well. It should be noted that the results of the point and/or orientation detection may also be used in an actuator and control system. If the position of the testing device needs to be altered with respect to the tested object, the control system and actuator may use the results of this determination to move the testing device relative to the tested object.



WO 02/06848 A2

SYSTEM AND METHOD FOR LOCATING AND POSITIONING AN ULTRASONIC SIGNAL GENERATOR
FOR TESTING PURPOSES

TECHNICAL FIELD OF THE INVENTION

The present invention relates generally to a system and method for locating and positioning an ultrasonic signal generator with respect to a tested part. In particular, the invention is directed to a system and method for delivering a laser beam generated by a laser source to a particular point on a tested object, or for determining a precise point on the object the ultrasonic signal generator delivered the energy to, in a gantry positioning system for use in detecting material defects of a test object using ultrasonic techniques.

10

BACKGROUND OF THE INVENTION

This application claims priority of U.S. Provisional Application Serial No. 60/218,340, filed July 14, 2000 entitled "Remote Laser Beam Delivery System and Method for Use with a Robotic Positioning System for Ultrasonic Testing Purposes," and is incorporated herein by reference in its entirety.

Additionally, this application is related to and incorporates by reference U.S. Patent Application No. 09/416,399 filed on October 10, 1999 entitled "METHOD AND APPARATUS FOR DETECTING ULTRASONIC SURFACE DISPLACEMENTS USING POST-COLLECTION OPTICAL AMPLIFICATION" to Thomas E. Drake.

It is desirable for a variety of applications to provide for mechanically directing a laser beam to any location within a predetermined volume or on a surface. Many of these applications are tailored specifically for use within industrial manufacturing applications employing automated, robotics systems. Over the past several decades, the advent of robotics and laser light source technologies have led to many integrated systems for assembly line manufacturing. For example, robotics assembly systems incorporating laser technologies are very typical in automobile and even aircraft manufacturing plants for performing such tasks as welding.

For many systems, a robotic or gantry positioning system having a mechanical armature is often used to direct a laser beam to a variety of locations of a single workpiece. This armature itself provides for precision directing of the laser beam from the end of the mechanical armature. A laser beam delivery system is normally integrated into the gantry positioning system (GPS), particularly into the mechanical armature, for directing the laser beam from the end of the mechanical armature to any location within a predetermined volume. Specifically, the laser beam is then directed to portions of a workpiece and often from various fields of view for welding, cutting, ablating, or any variety of applications employing a laser beam.

Ultrasonic testing is a method which may be used to detect material defects in a objects comprised of various materials. A common application for ultrasonic testing is to detect inhomogeneities in composite materials. Ultrasonic testing may be used to serve a variety of industrial needs including identification of defects in manufactured goods for tuning of manufacturing processes. Manufacturers of products comprising composite material may wish to identify imperfections in their articles of manufacture to modify their manufacturing process to strive for greater repeatability and efficiency in their process or simply to identity problem areas within their process. Composite materials comprise many critical components within modern, high performance aircraft, and are becoming more common in

terrestrial applications such as the automotive industry. Composite materials are desirable for many of their inherent attributes including lightweight, high strength, and stiffness. Particularly for aircraft application, those composite material components, which may be large and
5 complex in shape, are often flight critical necessitating strict assurance of material and structural integrity.

Unfortunately, these materials are sometimes fabricated with imperfections or develop them after several hours of use. These material defects may appear as a delamination of the surface of the material,
10 porosity, an inclusion, debonds between bonded sub-components, or a void within the component itself. This inhomogeneity in the structure severely weakens it, providing a situation which might result in catastrophic failure. A conventional method for detecting material defects in a composite material utilizes piezoelectric transducers in conjunction with mechanical scanners
15 mounted across the surface of the composite to detect any material imperfections. The disadvantages of the conventional methods are many, including difficulty in accommodating non-flat or evenly mildly contoured composite materials. Another disadvantage is the requirement that the transducer couple to the material via a water path. The transducer must
20 remain normal to the surface within $\pm 3^\circ$ during a scan. To accommodate highly contoured and complex shaped components using conventional techniques often requires extremely time-intensive test set up preparation.

Laser ultrasonic testing is an alternative method that is used to identify these imperfections. For aircraft applications, particularly for
25 military fighter aircraft, all flight critical parts fabricated of composite material must be fully inspected before installation. A GPS comprising a laser beam delivery system may be integrated with a laser ultrasonic testing system for providing automated identification of material defects of a test object.

30 One approach is to mount the laser ultrasonic testing system comprising a laser source on the end of the mechanical armature of the GPS. The use of a GPS allows the ultrasonic testing system to be maneuvered around the test object to provide for positioning the laser source in close proximity to the test object from a multitude of locations of fields of vision. For those
35 ultrasonic testing systems which use high power gas lasers such as CO₂ lasers, the large and bulky size of the laser complicates the integration of the ultrasonic testing system with the GPS as the end segment of the mechanical armature must be capable of supporting a significantly heavy weight at its end. The large size and bulky weight of the light source itself often

demands the use of a very large GPS capable of supporting the heavy weight of an ultrasonic testing system as it is maneuvered around the test object to perform data acquisition from a variety of perspectives.

5 Many typical laser testing systems are hampered when the ultrasonic energy generator is not positioned properly relative to the part to be tested. When this happens, the test results may need to be corrected, or in the case of testing relative strengths of different parts, this test may be completely inconclusive. Further, when the ultrasonic signal is generated, the resulting ultrasonic signal affects certain areas and/or volumes of the
10 tested object. To completely test an object requires that a signal ultrasonic event be generated many times throughout various places on the surface and interior to the object. By doing this numerous times, the complete object may be tested, even though some areas affected may be common to others. In this case, many systems that rely on manual positioning err on
15 a conservative side. This results in hugely overcompensated testing of the part since the overlaps are huge. Precise positioning of the ultrasonic testing device allows for scalable and efficient economies in the testing process, since the area of overlaps may be minimized.

SUMMARY OF THE INVENTION

The present invention employs a laser ultrasonic testing system which is used to identify and detect material defects in a test object. Data is acquired of the test object and is analyzed for identifying any material
5 defects in the test object and for providing the precise locations of them. Identifying material defects in composite materials, particularly those within aircraft applications, may provide aircraft designers with information concerning actual life and fatigue of flight critical, composite components as well as provide manufacturers of composite components with information
10 concerning stress and failure points of the component. The ultrasonic testing system within this invention is provided and presented in detail in U.S. Patent Application, Serial No. 09/343,920 entitled "System and Method for Laser Ultrasonic Testing" by T. E. Drake, Jr.

Aspects of the invention are found in an ultrasonic lasing system. The
15 laser system tests a manufactured part for various physical attributes, including specific flaws, defects, or composition of materials. The part can be housed in a gantry system that holds the part stable. An energy generator illuminates the part within energy and the part emanates energy from that illumination. Based on the emanations from the part, the system can
20 determined precisely where the part is in free space. The energy illumination device and the receptor have a predetermined relationship in free space. This means the location of the illumination mechanism and the reception mechanism is known. Additionally, the coordinates of the actual testing device also have a predetermined relationship to the illumination
25 device, the reception device, or both. Thus, when one fixes the points in free space where the part is relative to either of the illumination device or the reception device, one can fix the point and/or orientation of the testing device to that part as well.

It should be noted that the results of the point and/or orientation
30 detection may also be used in an actuator and control system. If the position of the testing device needs to be altered with respect to the tested object, the control system and actuator may use the results of this determination to move the testing device relative to the tested object.

To do this, either the tested object needs to be moved within the
35 gantry system, or the testing device needs to be moved relative to the tested object. Of course, these actions may occur in combination. This may be accomplished with a computer that assists in determining the position and/or orientation. This may be used to control the relative movement of the object and testing device.

The system may also be used not to precisely position a testing device relative to an object, but may be used for compensation purposes as well. In this embodiment, the testing system tests the object, then the positioning system determines the relative position of the object to the position and/or orientation of the testing device. When the position and/or orientation of the testing device relative to the tested object is not exact, a CAD representation of the object may be used to derive corrections based on incorrect orientation and/or positioning aspects of the system.

The generating energy may be of various sorts. This includes electromagnetic as well as sonic. In the case of an electromagnetic system, various forms of this energy may be used as well. For example, the generator may generate radar waves and the receptor may detect these reflected radar waves. Or, the generator may generate coherent energy, such as a laser, that bathes the object. The reception apparatus may be a camera or other optical receiver such as a photoelectric detector. In this case, the various lightings, and optical characteristics of the light receptor, such as focal point of the receptor, allow one to determine the spatial orientation of the generating device and the receiving device in space relative to the object. Or, another energy, such as sonic energy, may be used in a sonar-type system.

20

BRIEF DESCRIPTION OF THE DRAWINGS

For a more complete understanding of the present invention and the advantages thereof, reference is now made to the following description taken in conjunction with the accompanying drawings in which like reference
5 numerals indicate like features and wherein:

FIGURE 1 shows one embodiment of a gantry positioning and ultrasonic testing system with an integral laser beam delivery system; and

FIGURE 2 shows a particular embodiment of FIGURE 1 of gantry positioning and ultrasonic testing system with an integral laser beam
10 delivery system.

FIGURE 3 depicts a flow chart illustrating the method of the present invention.

FIGURE 4 is a diagram showing the operational units of an embodiment of the invention.

FIGURE 5 is a diagram of a specific embodiment of the system of FIGURE
15 4.

FIGURE 6 is a diagram detailing the use of the system of FIGURE 4 with a multi-axis laser positioning system.

FIGURES 7 and 8 are diagrams detailing the potential relationships
20 inherent in the system of FIGURE 4.

FIGURE 9 is a diagram detailing a process of how the system of FIGURE 4 can operate.

DETAILED DESCRIPTION OF THE PREFERRED EMBODIMENT

Preferred embodiments of the present invention are illustrated in the FIGURES, like numerals being used to refer to like and corresponding parts of the various drawings.

5 The present invention employs a gantry positioning system with an integral laser beam delivery system for delivering a laser beam delivered by a remote laser source to a test object for performing ultrasonic testing to detect any material defects in the test object. The gantry positioning system provides for scanning the entire test object from various fields of view to map out the test object using laser ultrasonic techniques. Data are recorded from all of the fields of view and later processed to provide for not only the detection of any such material defects, but also their location within the test object.

FIGURE 1 shows one embodiment 30 of a gantry positioning and ultrasonic testing system with an integral laser beam delivery system. A laser beam 11 is generated by a remote laser source 31 and inserted into the optical transmission channel of a first gantry member 32. Each gantry member of the gantry positioning system comprises an optical alignment system similar to that described in FIGURE 2 for guiding the laser beam 11 through the gantry positioning system and for delivering it to a test object 35 for performing ultrasonic testing. The gantry positioning system is comprised of a number of gantry members pivotally connected. At each of these pivotal connections is a gantry actuator 33 for controlling the shape of the gantry positioning system which provides for positioning the end gantry member 34 to any location within the desired workspace in which the test object 35 is located. By permitting the gantry positioning system to be manipulated around the workspace of the test object 35 allows for performing ultrasonic testing using an ultrasonic testing system 36 from a variety of fields of view. Additionally, a laser beam conditioning system 37 may be used to provide for minimizing the divergence of the laser beam 11 as it exits the end gantry member 34 of the gantry positioning system and is delivered to the test object 35. The laser beam conditioning system 37 could likewise be included within the optical transmission channels 22 of the gantry segments of the GPS to provide for conditioning and minimizing the divergence of the beam as it propagates through the GPS.

FIGURE 2 shows a particular embodiment 40 of FIGURE 1 of a gantry positioning and ultrasonic testing system with an integral laser beam delivery system. The gantry positioning system is comprised of a plurality of vertical supports beams 41 which support two runway beams 42 which run

parallel to one another. A bridge beam 43 spans between the two runway beams and is powered using a bridge beam actuator 44 for providing translation in a first direction, depicted as the X direction in the TOP VIEW shown in FIGURE 2. A carriage 45 is mounted on top of the bridge beam 43 and is powered
5 using a carriage actuator 46 for providing translation in another direction which is orthogonal to the first direction. This second direction is depicted as the Y direction in the TOP VIEW shown in FIGURE 2. Extending downward from the bridge beam 43 is a Z-mast 47, whose length is variable and is controlled using a Z-mast actuator 48. The Z-mast provides for
10 translation in a third direction, orthogonal to the first two directions. This third direction is depicted as the Z direction in the SIDE VIEW shown in FIGURE 2.

By providing movement in three orthogonal positions and delivering a laser beam throughout the system, the particular embodiment shown in FIGURE 2
15 of a gantry positioning system provides for emitting the laser beam 11 at any location within the workspace of the test object 35 allows for performing ultrasonic testing using an ultrasonic testing system from a variety of field of view, similarly to the capability shown in FIGURE 1. Also in similar fashion to FIGURE 1, a laser beam conditioning system 37 may be used
20 to provide for minimizing the divergence of the laser beam 11 as it exits the end of the Z-mast 47 of this particular embodiment of a gantry positioning system and is delivered to the test object 35. The laser beam conditioning system 37 could likewise be included within the optical transmission channels
25 22 of the gantry segments of the GPS to provide for conditioning and minimizing the divergence of the beam as it propagates through the GPS. If even more spatial control is desired for directing the laser beam 11 from the end of the Z-mast 47, a rotation attachment platform 49 may be attached to the end of the Z-mast allowing additional directional control and delivering of the laser beam 11 to the test object 35.

30 FIGURE 3 depicts a flow chart illustrating the method of the present invention.

The present invention defines robotic position and optical scan-plans for optimum laser ultrasonic testing performance. The optical scan plans can be generated based on the part geometry derived from CAD models, actual
35 measurements, and FIGURE-of-merit parameters defined by laser ultrasonic testing limitations for a particular material type. Requirements may include:

- (1) . Defining part and fixture orientations in the work cell for repeatable low-cost positioning of the part (this may be a computer

defined task based on part CAD models, part center of gravity, holding fixture design, robotic reach, etc. Or it could be a task defined by the system operator where the part location and fixture design is manually defined based on experience);

5

(2) Maintaining an optimum distance to the part surface based on the system depth-of-field (for example 2.5m +/-0.5m);

10

(3) Limiting laser angle of incidence (this will be material dependent, +/-45 degrees for some, +/-30 for others, also some materials may be extremely specular and on-axis views avoided);

15

(4) Verifying 100% part coverage with some overlap of scanned regions; and

(5) Optimizing throughput by scanning only areas where valid data can be collected with a minimum of robotic repositions.

20

The present invention has the ability to map laser ultrasonic testing image data. Flat-field laser ultrasonic testing scan data can be projected onto a true 3D surface. This accurately associates ultrasonic data with the true measurement point on the surface. This can be implemented in several ways. First, an integrated measurement system can be used for measuring the surface geometry and providing a one-to-one map between the laser ultrasonic testing data and the measured 3D surface coordinate. Second, the location of the part in the work cell along with the CAD geometry can be used to map the data to the surface. This 3D reconstructed image clearly indicates if the scan coverage is complete and will display proper spatial registration of the individual laser ultrasonic testing scan regions on the part surface.

25

A second method is not dependent on point-by-point reconstruction based on measured values but instead is concerned with the orientation of the part relative to the laser ultrasonic testing scan view. The principle errors in this method arise from the accuracy that the component is located within the work cell and the positioning/pointing errors of the laser ultrasonic testing sensor.

30

This provides the benefits of improved data interpretation capabilities, reduced labor cost due to improved analysis features, increased throughput, enhanced testing capabilities for complex structures, and improved archive format for use as reference baseline on subsequent in-

35

service inspections. Potential for automated image comparison directly between different parts or the same part at different service intervals.

The present invention provides a calibration method for 3D beam-pointing. This measurement and calibration procedure corrects for errors in
5 the beam-pointing vector of the laser ultrasonic testing system. This includes all errors due to the 5-axis gantry positioning system and from the optical alignment and pointing of the two-axis optical scanner. This information can be used as required to generated corrected 3D reconstructed images.

10 Additionally, the present invention provides robotic collision avoidance methods. A collision avoidance system for the pars gantry robot includes the ability to avoid both permanent and temporary objects. Permanent objects include the gantry structure and other fixed hardware inside the work envelope. Temporary objects include parts, part fixtures,
15 and transportation carts.

These provide a significant improvement in avoiding mechanical disaster. Current estimate for downtime due to severe robotic collision is as high as 8 weeks.

FIGURE 4 is a diagram showing the operational units of an embodiment of
20 the invention. An object 100 is to be scanned by the ultrasonic testing system. In the invention, an energy illuminator 102 bathes the object with some form of energy, and an energy reception mechanism that detects energy emanating from the object and associated with the energy imparted by the energy illumination device 102.

25 The illumination generator and the energy reception mechanism 104 are linked with each other in a predetermined spatial relationship. The predetermined spatial relationship may be fixed, such as being fixed together on one part. Or the relationship may be alterable, with the energy receptive mechanism and the energy illumination generator being present on differing
30 controllable bodies.

In any case, the energy reception mechanism is also associated with the energy generator of the testing mechanism in another predetermined spatial relationship. Again, the predetermined spatial relationship may be fixed, such as being fixed together on one part. Or the relationship may be
35 alterable, with the energy receptive mechanism and the energy illumination generator being present on differing controllable bodies.

The energy illumination generator generates energy and directs it to the object. The energy emanating from the object is detected by the energy receptive mechanism. The characteristics of the emanating energy may be

determined, and a precise point on the object may be characterized due to these detected energies.

The energy illumination generator may be a laser, or other type of electromagnetic energy generator, such as a low power radar system. In the case of the radar energy, the energy receptive mechanism can determine the shape of the object, and since the energy receptive mechanism and the energy illumination generator have a predetermined spatial relationship, and another predetermined spatial relationship exists with respect to the energy generation device of the testing system, a precise location in space of the energy generation device may be derived from the measurement.

Relatedly, a sonar type system may be implemented as well. In this case, the energy would be sonic in nature, rather than electromagnetic.

In another embodiment, the energy illumination generator may be a visible light or laser. In this case, the energy receptive mechanism can be a camera, or electronic photo detector. In this manner, the precise position of the energy generation used for ultrasonic testing may be pinpointed in space. This can be accomplished prior to the testing phase, so that efficient sweeps of the object may be performed, or afterwards, such that corrections can be applied to the measurement of the object.

FIGURE 5 is a diagram of a specific embodiment of the system of FIGURE 4. In this embodiment, the energy illuminator is a laser or other type of source of visible electromagnetic energy, and the energy reception mechanism is a camera.

FIGURE 6 is a diagram detailing the use of the system of FIGURE 4 with a multi-axis laser generation system. The energy illumination generator laser and the energy receptive mechanism camera are co-located on a laser head that pivots and moves in space. The energy illumination generator laser can be the ultrasonic testing laser, or may be a different sort altogether.

FIGURES 7 and 8 are diagrams detailing the relationships inherent in the system of FIGURE 4. FIGURE 4 deals mainly with the optical type systems. Other relationships and equations may exist for other types of positioning systems, such as phase reversal equations, time reflectometry equations, and the like.

From the diagram the relationships among the similar triangles yields the following results:

$$\text{TAN}\alpha = \frac{y}{f}$$

$$\text{TAN}\theta_0 = \frac{D_2}{Z} = \frac{D}{2Z_0}$$

$$\text{TAN}(\theta_0 - \alpha) = \frac{D_1}{Z} = \frac{D - D_2}{Z} = \frac{D - \frac{ZD}{2Z_0}}{Z}$$

$$\text{TAN}(\theta_0 - \alpha) = \frac{D - Z\text{TAN}\theta_0}{Z} = \frac{D}{Z} - \text{TAN}\theta_0$$

$$Z = \frac{D}{\text{TAN}(\theta_0 - \alpha) + \text{TAN}\theta_0}$$

$$Z(y) = \frac{D}{\text{TAN}[\text{TAN}^{-1}(\frac{D}{2Z_0}) - \text{TAN}^{-1}(\frac{y}{f})] + \frac{D}{2Z_0}}$$

This way may derive several relationships. These relationships include:

$$\theta_0 \cong \frac{D}{2Z_0} \text{ AND } \alpha \cong \frac{y}{f} \Rightarrow \text{TAN}(\theta_0 - \alpha) \cong \theta_0 - \alpha$$

$$Z(y) \cong \frac{D}{\frac{D}{Z_0} - \frac{y}{f}} \cong \frac{Z_0}{1 - \frac{yZ_0}{Df}}$$

$$\frac{dZ}{dy} = \frac{-Z_0}{[1 - \frac{yZ_0}{Df}]^2} [-\frac{Z_0}{Df}] = \frac{Z_0^2}{Df[1 - \frac{yZ_0}{Df}]^2}$$

$$dZ = \frac{Z_0^2 dy}{Df[1 - \frac{yZ_0}{Df}]^2}$$

5 Thus, several basic equations arise from the optical system thus described. The basic equations are:

$$Z[1 - \frac{yZ_0}{Df}] = Z_0$$

$$\frac{yZ_0Z}{Df} = Z - Z_0$$

$$y = Df(\frac{1}{Z_0Z})(Z - Z_0) = Df(\frac{1}{Z_0} - \frac{1}{Z})$$

$$dZ(y) = \frac{Z_0^2 dy}{Df[1 - \frac{yZ_0}{Df}]^2}$$

$$dZ(Z) = \frac{Z_0^2 dy}{Df[1 - (1 - \frac{Z_0}{Z})]^2} = \frac{Z_0^2 dy}{Df[\frac{Z_0}{Z}]^2} = \frac{Z^2 dy}{Df}$$

$$dZ(Z) = \frac{Z^2 dy}{Df}$$

Thus, in relation to FIGURE 8, the following design equations also aid in the determination of the proper system parameters. These include:

$$TAN(\frac{FOV}{2}) = \frac{L}{2f}$$

$$FOV = 2TAN^{-1}(\frac{L}{2f})$$

$$dy = \frac{L}{NUM. ELEMENTS}$$

In a numerical example

$$L = 0.5" \text{ CCD ARRAY } FOV \cong 40^\circ \Rightarrow f = 0.68" (17.3mm)$$

$$N = 1024 \Rightarrow dy = \frac{0.5}{2048}$$

$$D = 18"$$

$$dZ(Z) = 2 \times 10^{-5} (\frac{1}{in}) Z^2$$

$$dZ(60) = 0.072"$$

$$dZ(100) = 0.2"$$

5 Thus, the optic system of FIGURE 7 and 8 can determine the spatial orientation of the part with a high degree of precision. As such, the results of spatial profiling system can be used in a control circuitry to move relative positions of the object and testing system.

10 FIGURE 9 is a diagram detailing a process of how the system of FIGURE 4 can operate. In one embodiment of the invention, as associated CAD device supplies a representation of the tested part to the system. The head of the

laser testing assembly has multiple degrees of kinetic freedom, allowing the head to be positioned very precisely.

In this embodiment, the testing head is placed in proximity with the part to be tested, and the system then determines the proper positioning corrections for the testing to begin. The testing implement is the
5 positioned properly with relation to the object and the testing process begins.

The CAD generated surface is then melded with the testing results. This enables an operator to quickly and easily identify features associated
10 with the tested object, such as faults, stresses, imperfections, and the like. Or, instead of specific points, the testing data may be compared in a scale of acceptable versus unacceptable. In this case, the shaded area might indicate areas that fail to reach threshold testing. This could be used to identify specific manufacturing steps that need to be assessed or changed.

In another related embodiment, the testing of the part may generate results for a specific area of the part, indicated by the shaded area of the first panel of FIGURE 8. The entire part may be quickly tested, since the precise positioning mechanism allows the testing system to minimize the overlap associated with specific individual testing actions. This could
15 dramatically increase the speed at which parts are tested.

It should be noted that the system need not position the testing device. The system can be used to position the part, or the testing device, either singly or in combination. The energy illumination generator and the energy receptive mechanism may also exist on separate frames or supports than
20 the positioning system. For example, the energy illumination device and the energy-receiving device may be positioned on supports of the gantry system. This system may move the object within the gantry system or may move the testing device, or both.

It should be noted that this system might be used in any testing system
30 that generates ultrasonic energy. While a laser based system is described, it should be noted that other forms of testing based on reading emitted energy should be encompassed by the invention.

Although the present invention has been described in detail, it should be understood that various changes, substitutions and alterations can be made
35 hereto without departing from the spirit and scope of the invention as described by the appended claims.

WHAT IS CLAIMED IS:

1. A location mechanism for an ultrasonic testing system, the ultrasonic testing system operable to test an object, the system having an energy generator, the energy generator generating sonic energy in the object, the mechanism comprising:

an illumination generator that bathes the object with a first energy;
an energy reception mechanism that receives a second energy emanating from the object;

the second energy emanating from the object in response to the first energy;

the illumination generator and the energy reception mechanism associated with each other in a predetermined spatial relationship;

the energy reception mechanism associated with the energy generator in a predetermined spatial relationship; and

a control circuitry, communicatively coupled to the energy reception mechanism, that determines the spatial relationship between the object and the energy generator based on the reception of the second energy.

2. The location mechanism of Claim 1 wherein the energy generator is a laser.

3. The location mechanism of Claim 1, the first energy comprising electromagnetic energy.

4. The location mechanism of Claim 3 wherein the electromagnetic radiation is in the visible light wavelength.

5. The location mechanism of Claim 4 wherein the energy reception mechanism is a camera.

6. The location mechanism of Claim 4 wherein the energy reception mechanism is an array of photoreceptors.

7. The location mechanism of Claim 3 wherein the electromagnetic radiation is coherent electromagnetic energy.

8. The location mechanism of Claim 7 wherein the energy reception mechanism is a camera.

9. The location mechanism of Claim 7 wherein the energy reception mechanism is an array of photoreceptors.

10. The location mechanism of Claim 3 wherein the illumination generator is a radar generation device.

11. The location mechanism of Claim 3 wherein the electromagnetic radiation is in the infrared wavelength.

12. The location mechanism of Claim 1, the first energy comprising sonic energy.

13. The location mechanism of Claim 1, further comprising CAD data, the CAD data used by the control circuitry to determine the spatial relationship of the object and the energy generator.

14. An ultrasonic testing system for detecting features of an object, the system comprising:

an energy generator, the energy generator producing first energy in the object, the first energy comprising ultrasonic energies;

an illumination generator that bathes the object with a second energy;

an energy reception mechanism that receives a third energy emanating from the object;

the third energy emanating from the object in response to the second energy;

the illumination generator and the energy reception mechanism coupled to each other in a predetermined spatial relationship;

the energy reception mechanism associated with the energy generator in a predetermined spatial relationship; and

control circuitry, communicatively coupled to the energy reception mechanism, that determines the spatial relationship between the object and the energy generator based on the reception of the third energy.

15. The ultrasonic testing system of Claim 13, the second energy comprising electromagnetic energy.

16. The ultrasonic testing system of Claim 15 wherein the electromagnetic radiation is in the visible light wavelength.

17. The ultrasonic testing system of Claim 16 wherein the energy reception mechanism is a camera.

18. The ultrasonic testing system of Claim 16 wherein the energy reception mechanism is an array of photoreceptors.

19. The ultrasonic testing system of Claim 15 wherein the electromagnetic radiation is coherent electromagnetic energy.

20. The ultrasonic testing system of Claim 19 wherein the energy reception mechanism is a camera.

21. The ultrasonic testing system of Claim 19 wherein the energy reception mechanism is an array of photoreceptors.

22. The ultrasonic testing system of Claim 15 wherein the illumination generator is a radar generation device.

23. The ultrasonic testing system of Claim 15 wherein the electromagnetic radiation is in the infrared wavelength.

24. The ultrasonic testing system of Claim 13, the second energy comprising sonic energy.

25. The ultrasonic testing system of Claim 13, further comprising CAD data, the CAD data used by the control circuitry to determine the spatial relationship of the object and the energy generator.

26. An ultrasonic testing system for detecting features on an object, the system comprising:

a support, that supports the object;

an energy generator, the energy generator producing first energy in the object, the first energy comprising ultrasonic energies;

an actuator that changes the relative position of the object relative to the energy generator;

an illumination generator that bathes the object with a second energy;

an energy reception mechanism that receives a third energy emanating from the object;

the third energy emanating from the object in response to the second energy;

the illumination generator and the energy reception mechanism coupled to each other in a predetermined spatial relationship;

the energy reception mechanism associated with the energy generator in a predetermined spatial relationship;

a first control circuitry, communicatively coupled to the energy reception mechanism, that determines the spatial relationship between the object and the energy generator based on the reception of the third energy;

a second control circuitry, communicatively coupled to the actuator, that changes the spatial relationship between the object and the energy generator based on the reception of the third energy.

27. The ultrasonic testing system of Claim 26, the second energy comprising electromagnetic energy.

28. The ultrasonic testing system of Claim 27 wherein the electromagnetic radiation is in the visible light wavelength.

29. The ultrasonic testing system of Claim 28 wherein the energy reception mechanism is a camera.

30. The ultrasonic testing system of Claim 28 wherein the energy reception mechanism is an array of photoreceptors.

31. The ultrasonic testing system of Claim 27 wherein the electromagnetic radiation is coherent electromagnetic energy.

32. The ultrasonic testing system of Claim 31 wherein the energy reception mechanism is a camera.

33. The ultrasonic testing system of Claim 31 wherein the energy reception mechanism is an array of photoreceptors.

34. The ultrasonic testing system of Claim 27 wherein the illumination generator is a radar generation device.

35. The ultrasonic testing system of Claim 27 wherein the electromagnetic radiation is in the infrared wavelength.

36. The ultrasonic testing system of Claim 26, the second energy comprising sonic energy.

37. The ultrasonic testing system of Claim 26, wherein the second control circuitry selectively moves the support in response to the reception of the third energy.

38. The ultrasonic testing system of Claim 26, wherein the second control circuitry selectively moves the energy generator in response to the reception of the third energy.

39. The ultrasonic testing system of Claim 26, further comprising CAD data, the CAD data used by the control circuitry to determine the spatial relationship of the object and the energy generator.

1/7

FIG. 1

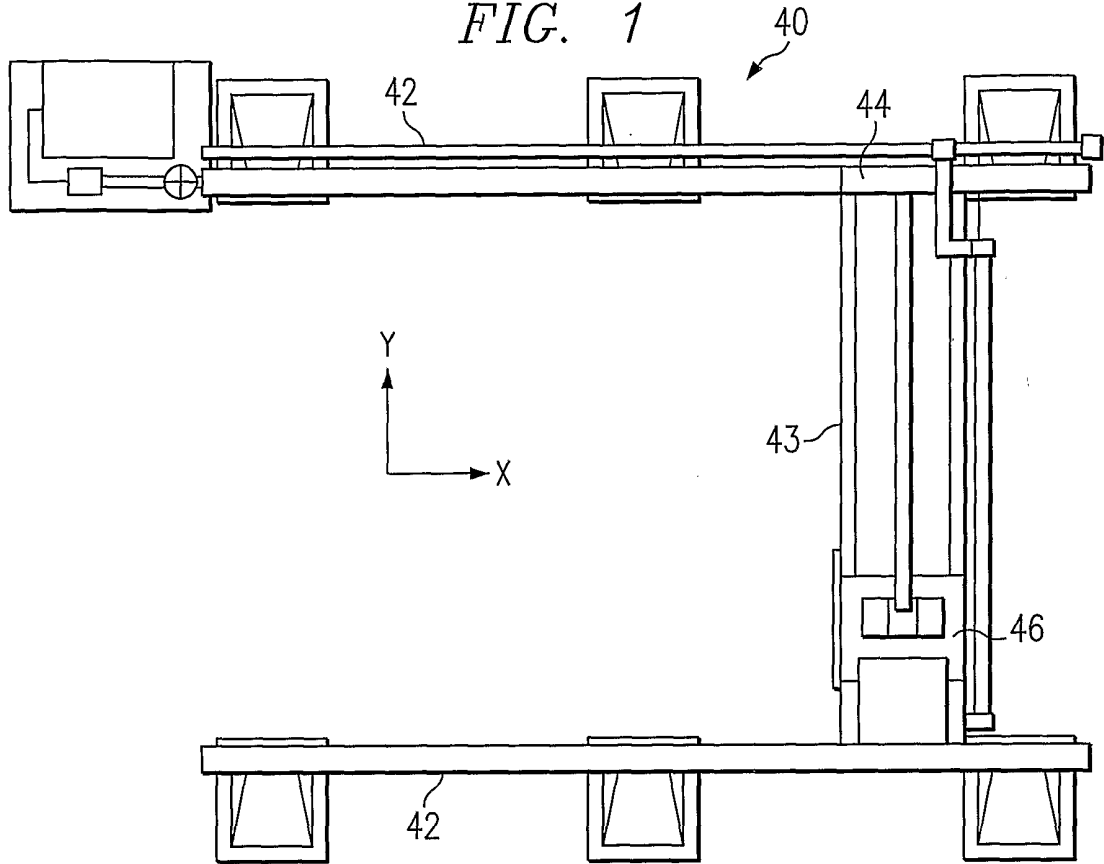
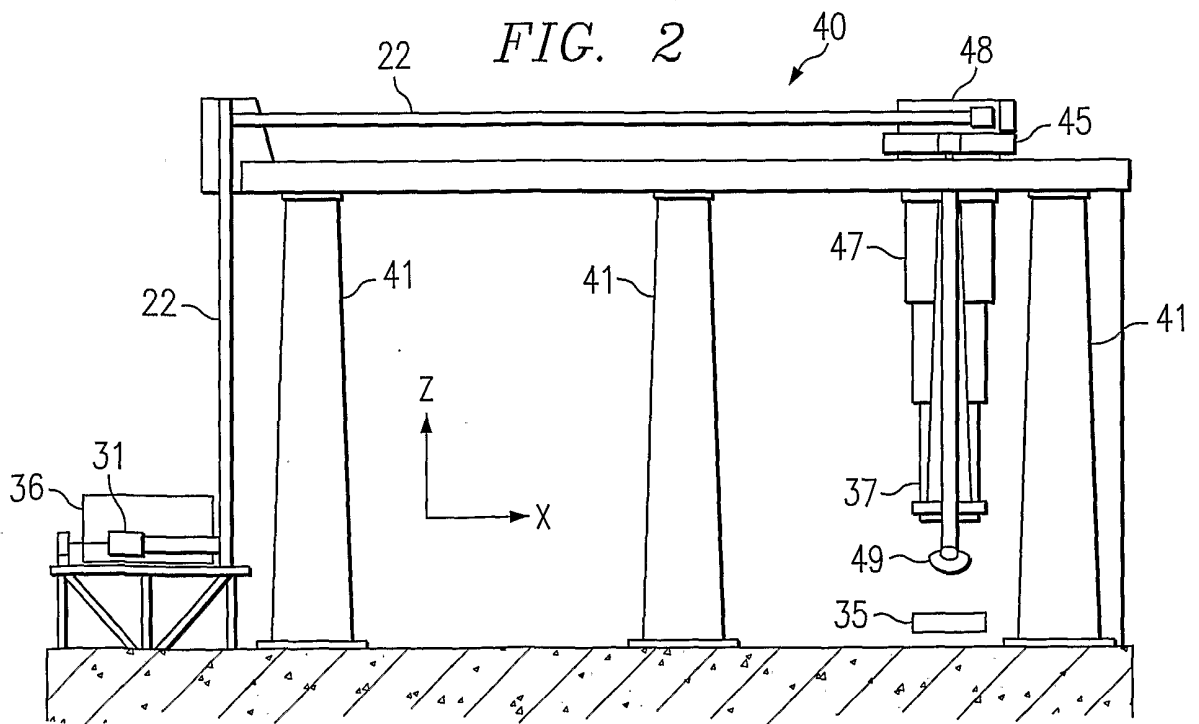


FIG. 2



2/7

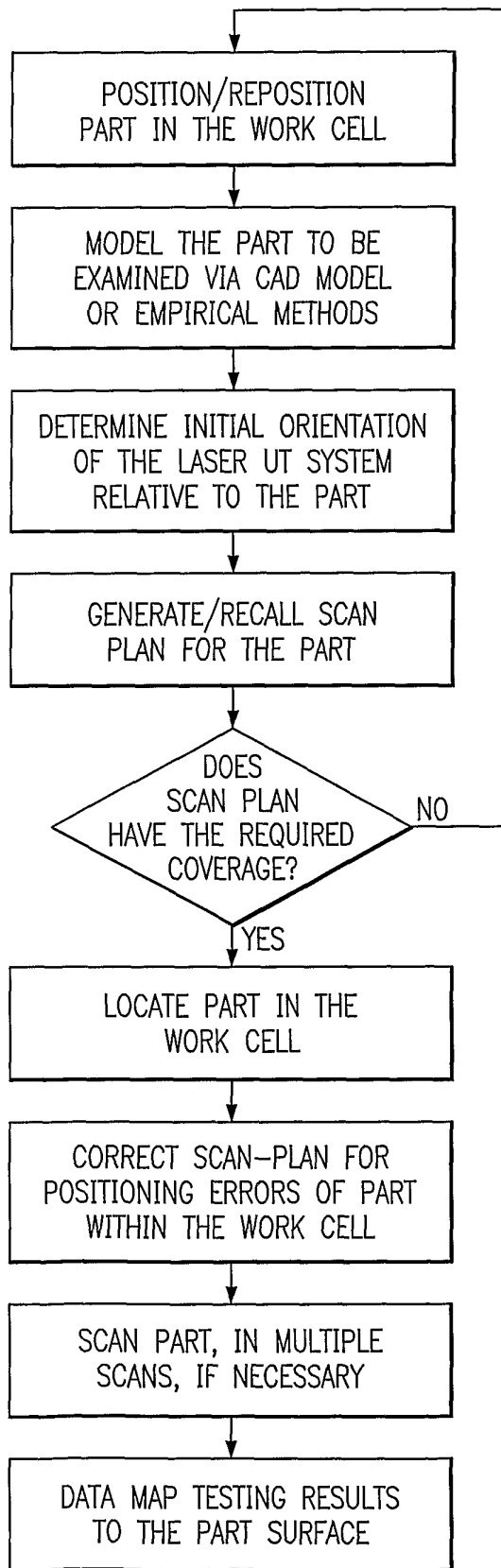


FIG. 3

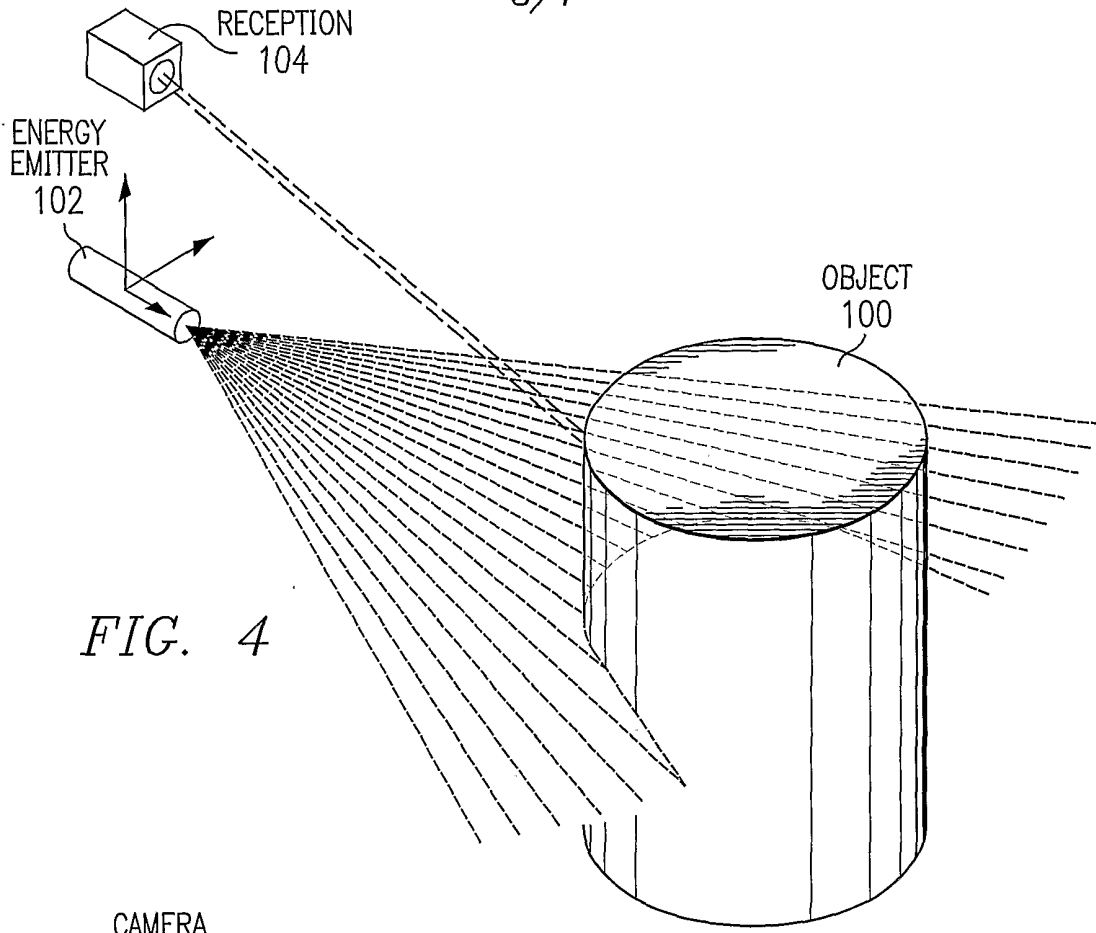


FIG. 4

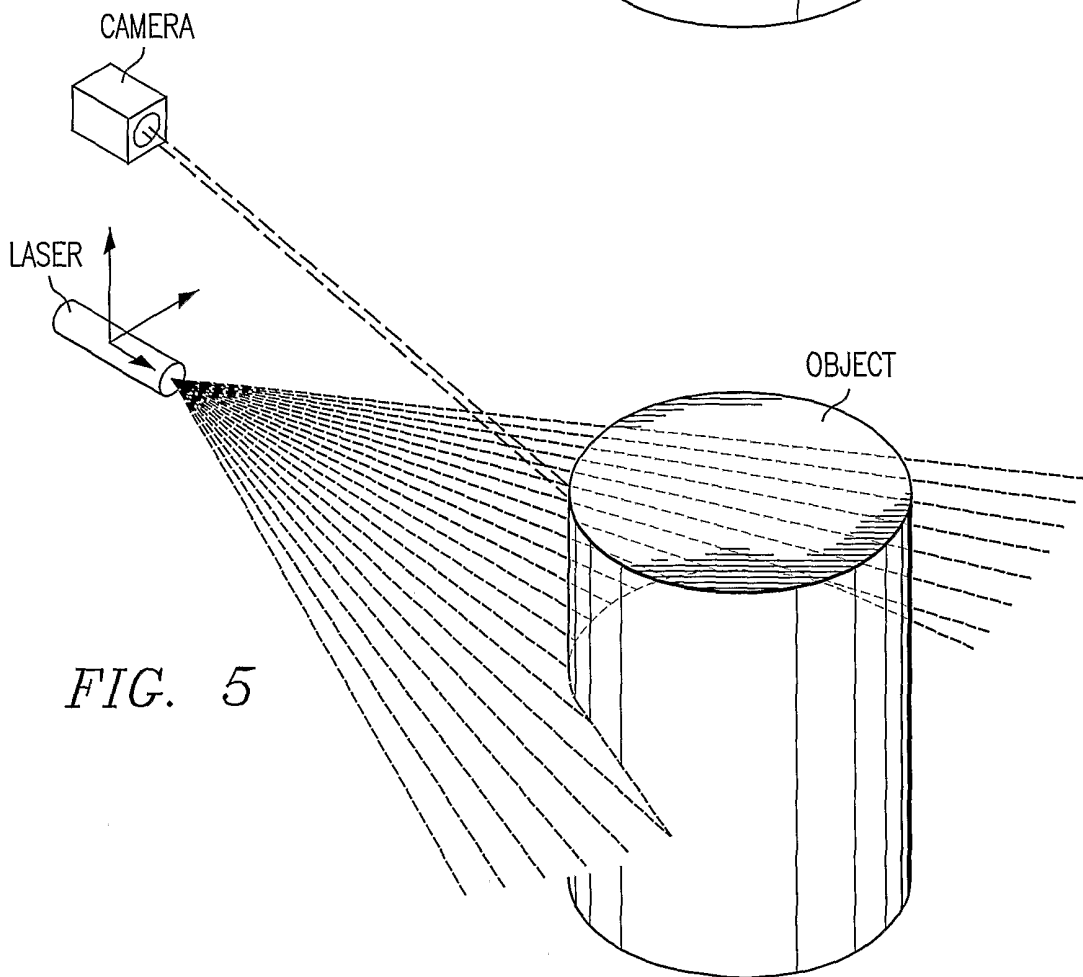


FIG. 5

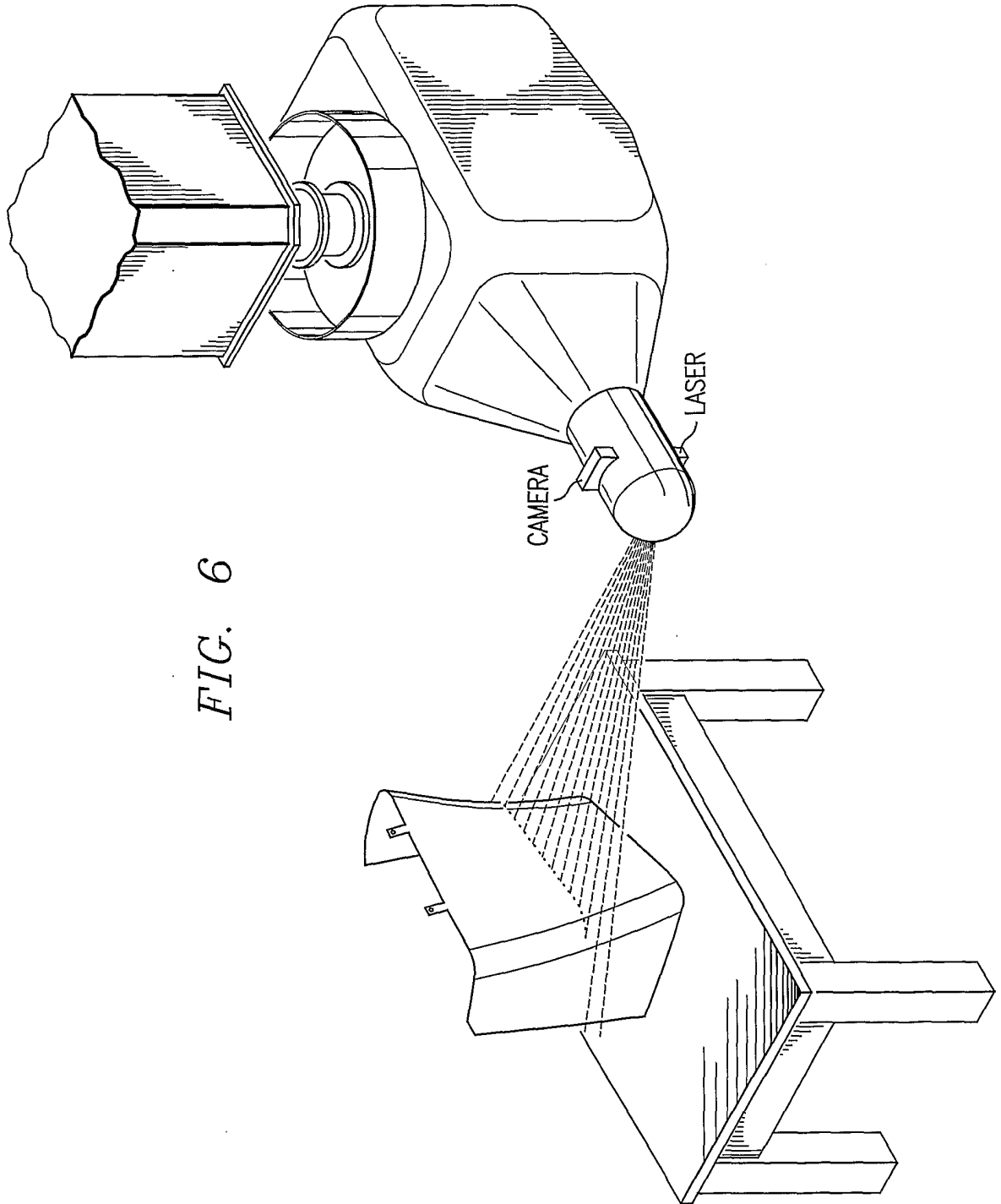


FIG. 6

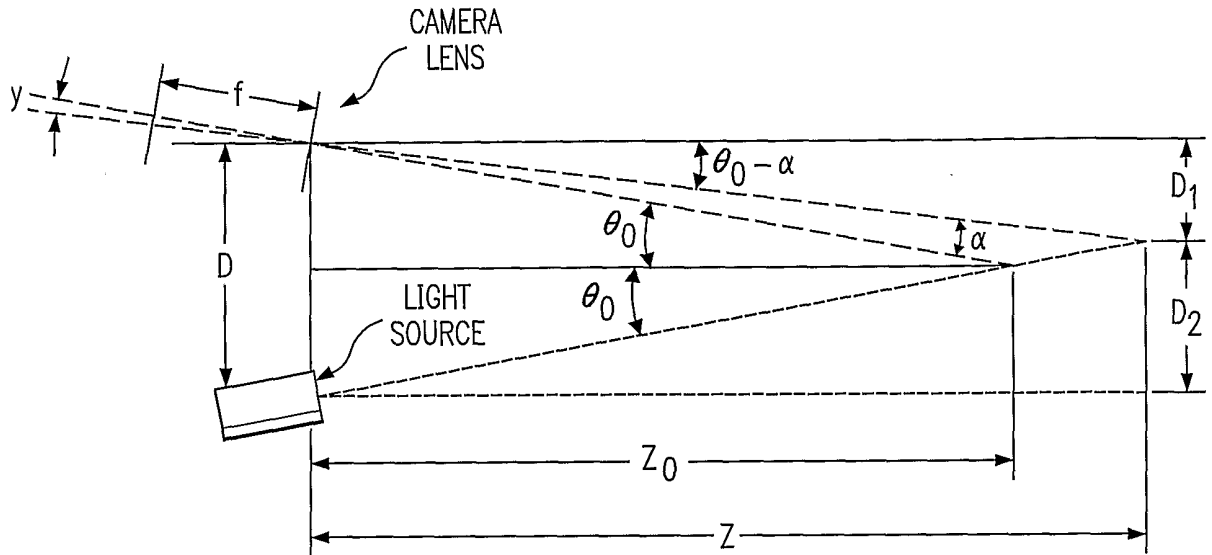


FIG. 7

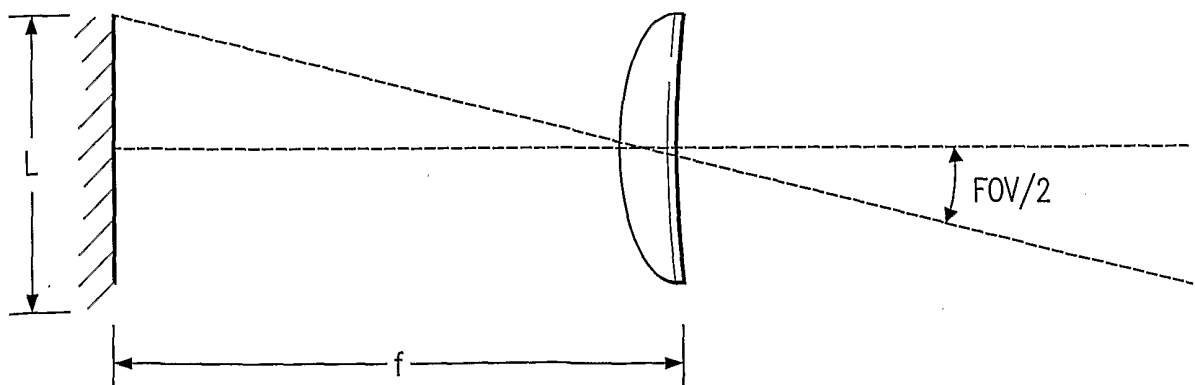


FIG. 8

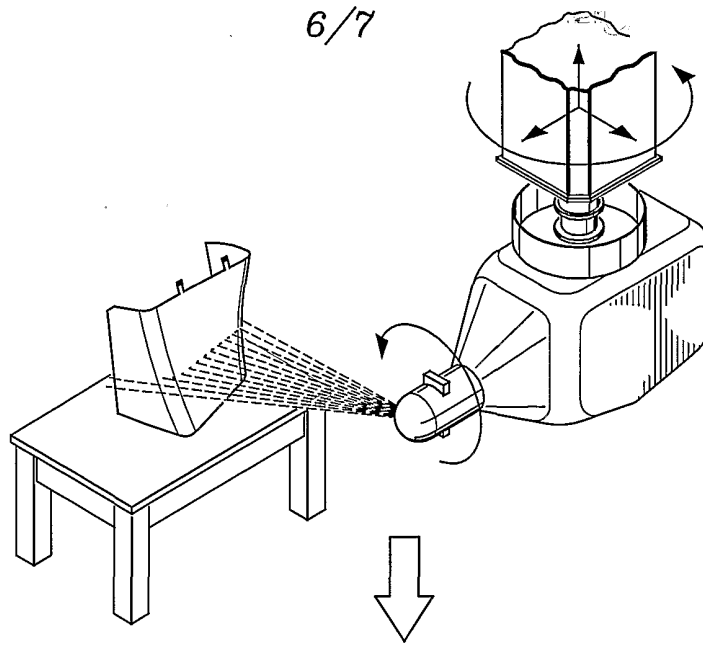
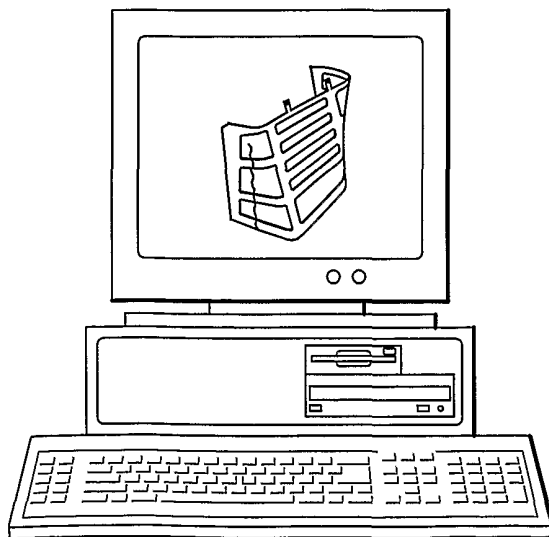
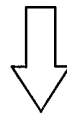
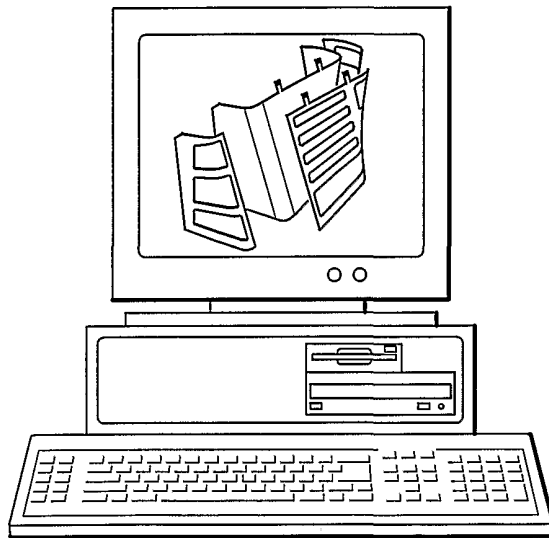


FIG. 9



7/7

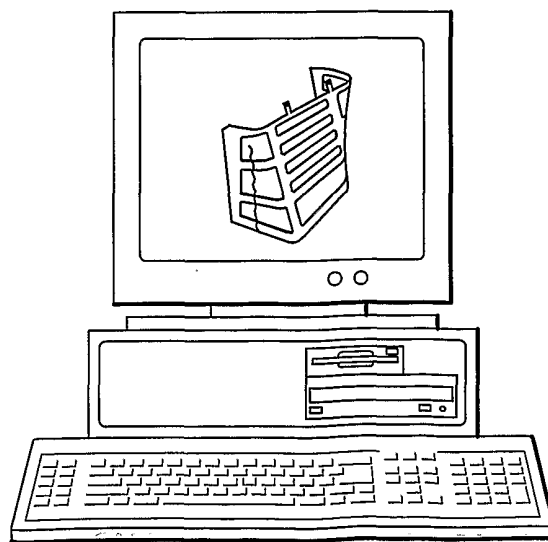
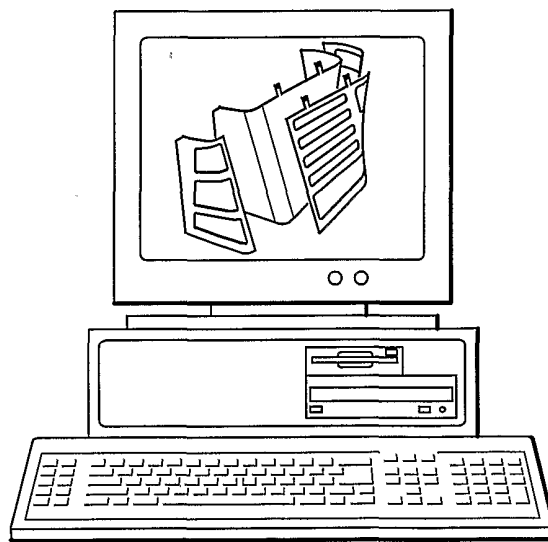
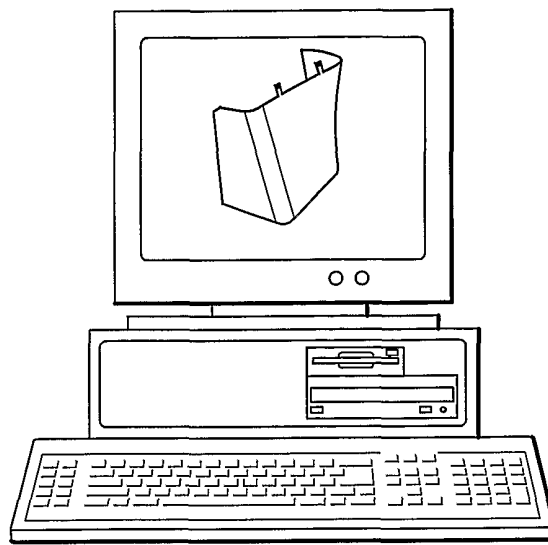


FIG. 10