



US00D807813S

(12) **United States Design Patent**  
**Hayashi**

(10) **Patent No.:** **US D807,813 S**  
(45) **Date of Patent:** **\*\* Jan. 16, 2018**

- (54) **TIRE TREAD**
- (71) Applicant: **BRIDGESTONE CORPORATION**,  
Tokyo (JP)
- (72) Inventor: **Shintaro Hayashi**, Tokyo (JP)
- (73) Assignee: **BRIDGESTONE CORPORATION**,  
Chuo-ku, Tokyo (JP)
- (\*\*) Term: **15 Years**
- (21) Appl. No.: **29/570,286**
- (22) Filed: **Jul. 7, 2016**

D616,356 S *	5/2010	Ohara .....	D12/588
D637,143 S *	5/2011	Ohara .....	D12/588
D647,040 S	10/2011	Mathonet et al.	
D674,741 S *	1/2013	Mathonet .....	D12/588
D686,973 S *	7/2013	Otani .....	D12/588
D740,215 S *	10/2015	Wang .....	D12/601
D761,192 S *	7/2016	Dixon .....	D12/594

**FOREIGN PATENT DOCUMENTS**

JP 1498663 S 6/2014

**OTHER PUBLICATIONS**

Office Action of Japanese Patent Application No. 2016-000355,  
dated Apr. 26, 2015.

\* cited by examiner

*Primary Examiner* — Robert M. Spear  
(74) *Attorney, Agent, or Firm* — Sughrue Mion, PLLC

- (30) **Foreign Application Priority Data**  
Jan. 8, 2016 (JP) ..... 2016-000355
- (51) **LOC (11) CL.** ..... **12-15**
- (52) **U.S. CL.**  
USPC ..... **D12/604**
- (58) **Field of Classification Search**  
USPC ..... D12/553, 559, 564, 565, 588, 594, 595,  
D12/600, 601, 604  
CPC ..... B60C 11/0306; B60C 11/0311; B60C  
2011/0388  
See application file for complete search history.

(57) **CLAIM**

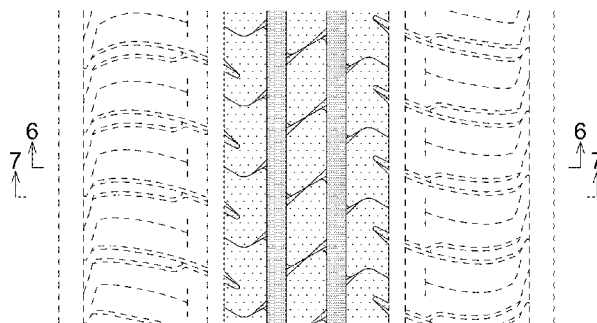
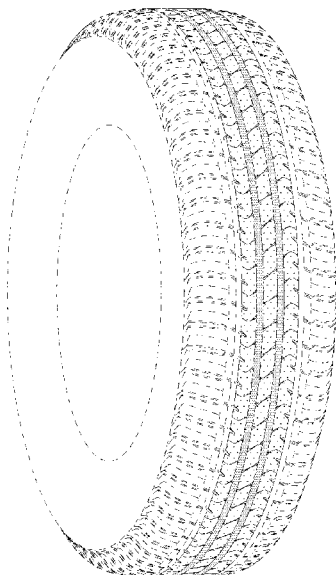
The ornamental design for a tire tread, as shown and described.

**DESCRIPTION**

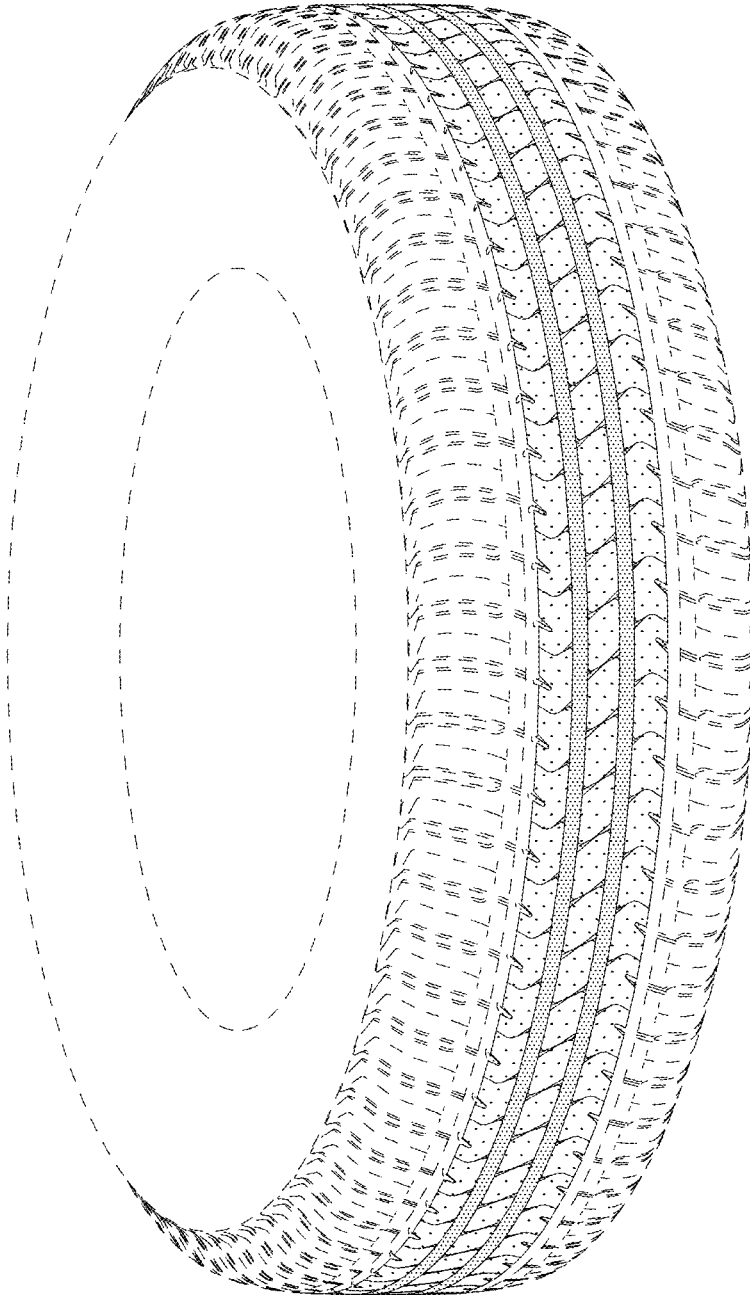
FIG. 1 is a perspective view of a tire tread showing my design;  
 FIG. 2 is a front view thereof;  
 FIG. 3 is a top view thereof;  
 FIG. 4 is a right side view thereof;  
 FIG. 5 is a fragmentary enlarged front view showing the details of the tread thereof;  
 FIG. 6 is a section view taken along line 6-6 in FIG. 5; and,  
 FIG. 7 is a section view taken along line 7-7 in FIG. 5.  
 The broken lines are used to show unclaimed environment, and thus form no part of the claimed design.

**1 Claim, 7 Drawing Sheets**

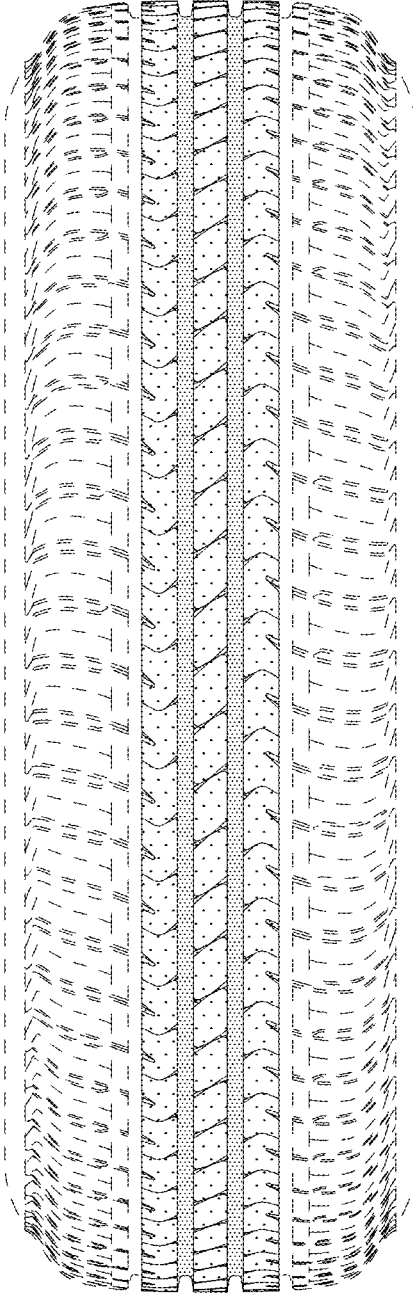
- (56) **References Cited**  
**U.S. PATENT DOCUMENTS**  
D293,664 S \* 1/1988 Hayakawa ..... D12/595  
D301,133 S \* 5/1989 Tsuda ..... D12/588  
D304,557 S \* 11/1989 Ochiai ..... D12/588  
D377,635 S \* 1/1997 Numata ..... D12/595  
D402,943 S \* 12/1998 Albert ..... D12/588  
D451,455 S \* 12/2001 Helt ..... D12/600  
D511,741 S \* 11/2005 Cazin-Bourguignon .... D12/601  
D583,308 S \* 12/2008 Ludwig ..... D12/588  
D591,224 S \* 4/2009 Ludwig ..... D12/588



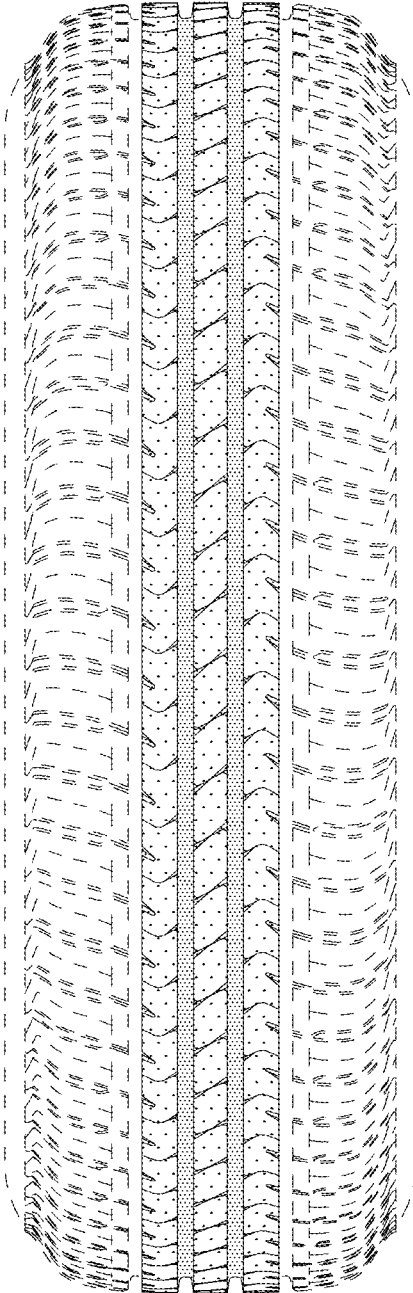
*FIG. 1*



*FIG. 2*



*FIG. 3*



*FIG. 4*

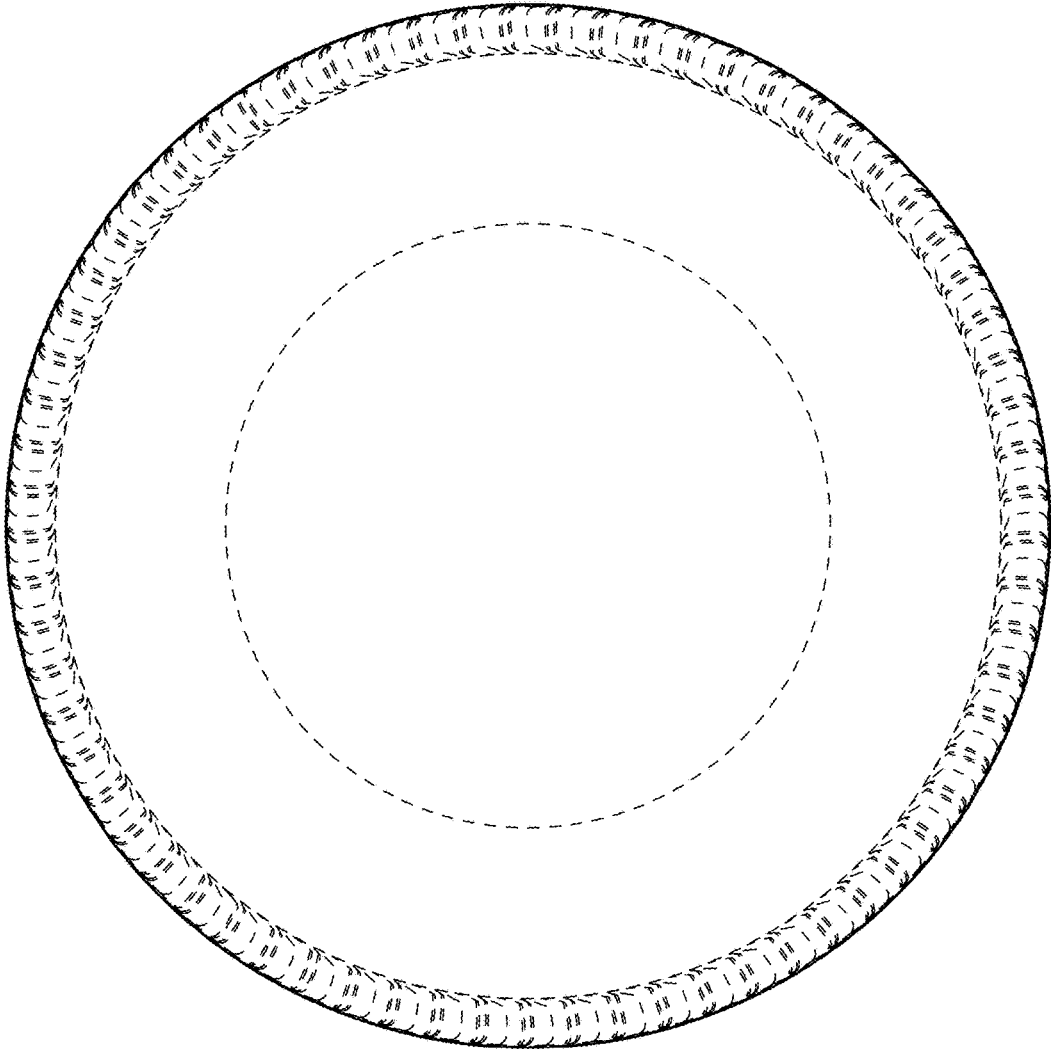
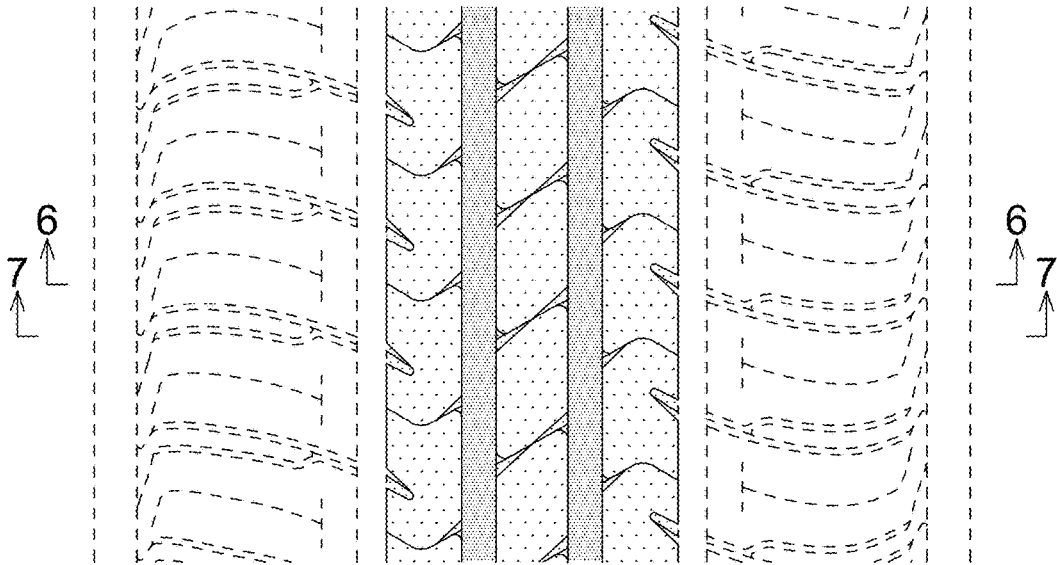
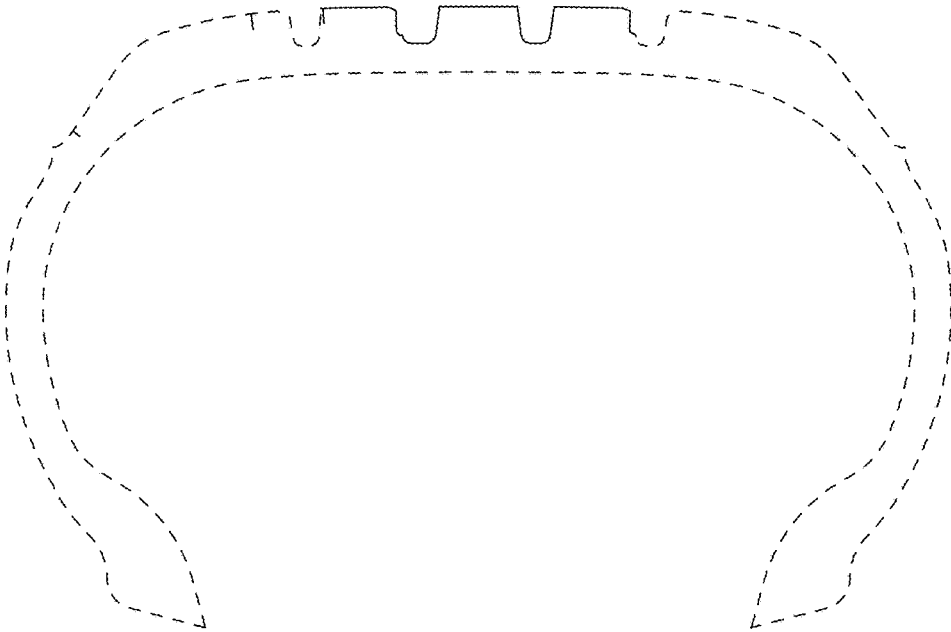


FIG. 5



*FIG. 6*



*FIG. 7*

