



(72) BAGBY, GEORGE W., US

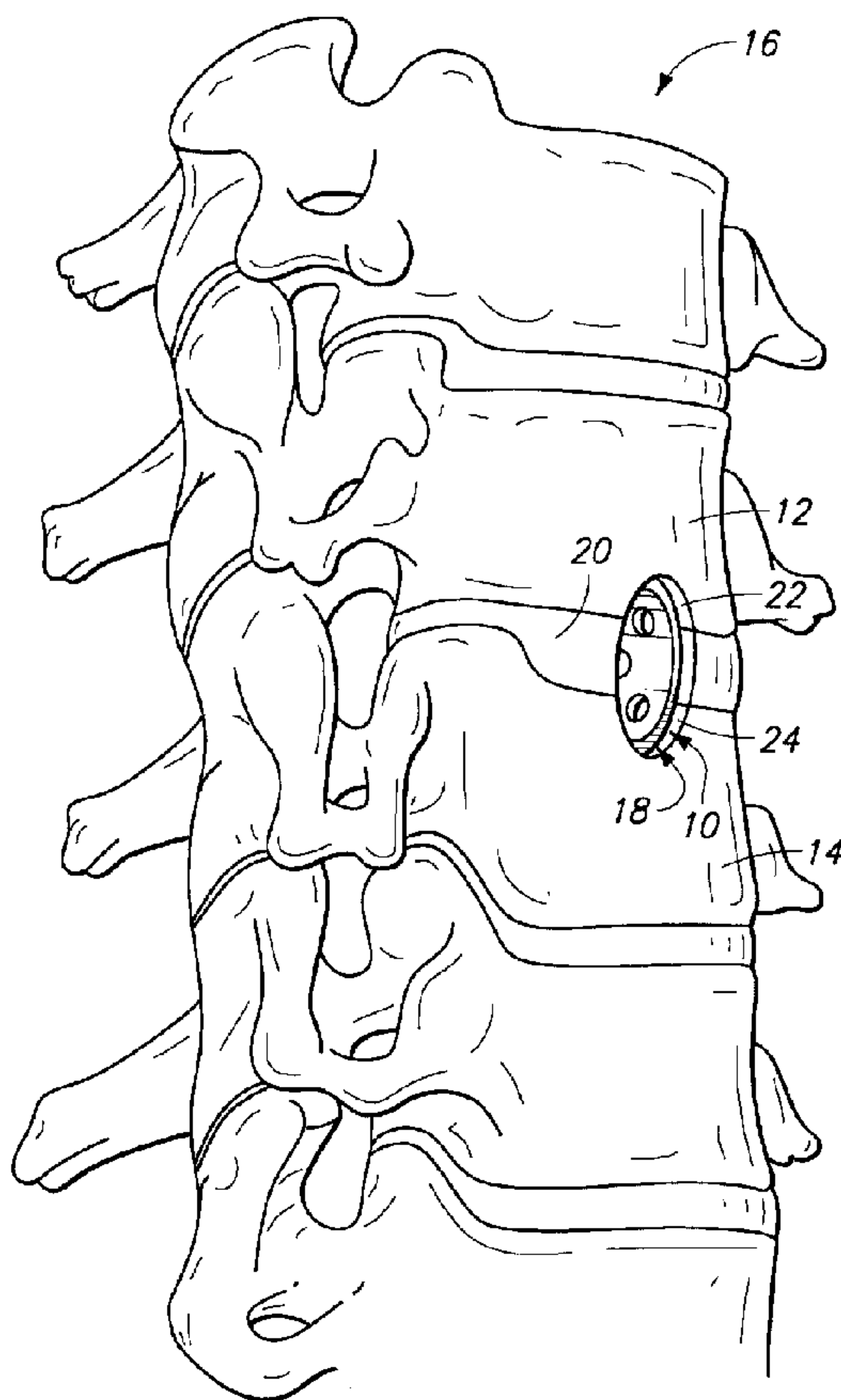
(71) BAGBY, GEORGE W., US

(51) Int.Cl.⁶ A61F 2/44

(30) 1998/10/27 (09/179,920) US

(54) **IMPLANT POUR L'AUTODISTRACTION ET LA FIXATION DE
CORPS D'OS, IMPLANT INTERVERTEBRAL ET METHODE**

(54) **SELF-DISTRACTING AND FIXATING BONE BODY IMPLANT,
VERTEBRAL INTERBODY IMPLANT AND METHOD**



(57) A bone joining implant, comprising a tubular body having an open leading end and a central aperture, the central aperture similarly sized to the open leading end, the open leading end communicating with the central aperture and configured to entrap a bone projection from each of a pair of adjacent bone bodies being joined together. A method is also provided.

26**ABSTRACT****Self-Distracting and Fixating Bone****Body Implant, Vertebral Interbody****Implant and Method**

- 5 A bone joining implant, comprising a tubular body having an open leading end and a central aperture, the central aperture similarly sized to the open leading end, the open leading end communicating with the central aperture and configured to entrap a bone projection from each of a pair of adjacent bone bodies being joined together. A method is also provided.

1

DESCRIPTION
SELF-DISTRACTING AND FIXATING BONE
BONE IMPLANT, VERTEBRAL INTERBODY
IMPLANT AND METHOD

5

Cross-Reference to Related Applications

This application claims the benefits of U.S. Patent Application Serial No. 09/179,920 filed October 27, 1998.

Technical Field

10

This disclosure relates to surgical joining of bone bodies, and more particularly to instruments, implants and methods for instant fixation, distraction, and staged bone fusion or arthrodesis of bone bodies, such as spinal vertebrae.

Background Art

15

This invention was specifically developed for the surgical joining of bone bodies, such as the fusing of contiguous spinal vertebrae so as to stabilize and prevent relative motion often resulting from a degenerative disc condition. Although the immediate effort leading to this disclosure is directed toward the lumbar, thoracic and cervical spine (anterior or posterior in approach), the described vertebral implants for immediate fixation and staged stabilization leading to arthrodesis (bone fusion) of bone bodies may be used in a bone fracture or osteotomy to fuse together resulting bone bodies, and across one or more joints or articulations. Furthermore, the implants may be used in the lumbar, thoracic and cervical spine.

20

25

30

The use of fixation plates and screws to hold together disunited bone bodies has long been known to facilitate arthrodesis or bone-to-bone union, such as bone fusion, and healing of fractured bones. Typically, the separate bone bodies are formed when a single bone fractures, requiring bone reunion. Plates are secured across a fracture region with screws, joining together the bone bodies. The plates hold the bone bodies together in proximate relation, facilitating bone growth and fusion therebetween. In this manner, the bone bodies are supported in close proximity, or in direct contact which facilitates fusion therebetween. For cases where it is impossible to fixture together bone bodies internally of a patient's skin, external fixation is used. For external fixation, threaded pins are rigidly secured into each bone body. The pins, which extend outwardly of a patient's skin, are

2

5 fixtured together with an external fixation device, placing the bone bodies in adjacent proximate position to promote healing therebetween. However, these techniques are not practical for certain joints such as joints formed between spinal vertebrae. Therefore, a significant number of stabilizing implants have been

10 One early technique for achieving arthrodesis between adjacent vertebrae across a joint or articulation is the well-known Cloward Technique for use in the human cervical spine. A solitary dowel of bone is tapped into place in a prepared circular bed that is smaller than the dowel of bone. The dowel acts as a wedge, distracting the surrounding soft tissues of the joint, and separating the bone bodies or vertebrae joined there along. The intervertebral disc substantially comprises the soft tissues of the joint. The dowel of bone is inserted, or wedged into place, providing its own stability by putting an annulus of the disc on stretch. Additionally, simple friction of the inserted dowel between adjacent vertebral bodies

15 stabilizes axial dislocation. However, a second surgical procedure must be performed to extract or harvest the dowel of bone, substantially adding trauma to the procedure, increasing costs, as well as increasing the threat of infection to the patient. Alternatively, bank bone from human donors can be used, but bank bone is less osteogenic and may introduce infection, or even transmission of Acquired

20 Immune Deficiency Syndrome (AIDS) or hepatitis. Furthermore, bone morphogenic protein, hydroxy apatite, or other bone stimulating material may be utilized. Additionally, there has been a need to ensure the implant remains axially secured which has lead to further developments.

25 A step forward from the Cloward Technique was provided by Bagby (U.S. Patent No. 4,501,269) wherein a metal dowel uses the same principle. A perforated cylindrical hollow implant is inserted between prepared surfaces across a vertebral joint. The inserted implant immediately stabilizes the joint by spreading the bony surfaces apart in wedged opposition to surrounding tissue. This initial stabilization is more substantial because a metal dowel, unlike a bone dowel, will not be

30 absorbed or fatigue in use. Over time, fusion occurs through and around the implant which is filled with bone fragments. Use of the metal dowel eliminates the need for a second operation to harvest a dowel of bone. Bone fragments to be inserted in the implant are retrieved during preparation of the circular beds in each vertebra. Furthermore, such a metal implant avoids the disadvantage of having to

3

use bone bank to obtain donor bone. The Bagby implant described in U.S. Patent No. 4,501,269 has a smooth outer surface, interrupted only by numerous openings or fenestrations through which bone ingrowth and through growth can occur. Ends of the implant are substantially closed, with one end receiving an end cap such that
5 bone fragments are contained therein. Bone morsels or bone grafts are typically harvested when preparing the circular bed in each vertebra, after which they are placed into the fenestrated metal cylindrical implant. The Bagby implant is then driven or tapped into place in a manner similar to the placement of Cloward's Bone Dowel, which was solely directed for use in the cervical spine. However, the
10 original Bagby implant relies completely upon stretch of the annulus to stabilize the vertebrae during bone remodeling and fusion.

Improvements have also been made to "Cloward's Technique" wherein two dowel bone grafts are posteriorly inserted (Wiltberger's Technique) between adjacent lumbar vertebral bodies. Furthermore, threaded surfaces have been added to such
15 bone grafts in order to keep the grafts in place (Otero-Vich German Application Number 3,505,567, published June 5, 1986). More recently, a number of U.S. Patents have proposed combining the threaded features from threaded bone grafts with a metal implant, resulting in rigid threaded implant structures for placement between adjacent spinal vertebrae.

20 One threaded metal fusion implant disclosed in Michelson (U.S. Patent No. 5,015,247) provides a cylindrical fusion implant having an outer diameter sized larger than the space between adjacent vertebrae to be fused. Threads provided on the exterior of the member engage the vertebrae to axially secure the implant therebetween. The implant has a plurality of openings configured along the
25 cylindrical surface to promote bone ingrowth. However, the threads per se of the implant do not function as a fastener to fix together the adjacent vertebral bodies. Instead, the implant functions as a wedge, imparting a distraction force across the disc which stabilizes the articulation formed therebetween by stretching the annulus of the disc. In fact, the threaded implant relies solely on the annulus to provide
30 stabilization between the vertebrae, in direct response to wedge-induced distraction created therebetween. Distraction of the annulus stabilizes the two vertebrae, enabling ingrowth to later occur within the implant. Therefore, through-growth and fusion (arthrodesis) occur between the adjacent vertebrae subsequent thereto

depending on the immobilizing potential of an intact healthy annulus which may or may not be present.

Several additional problems result from the provision of threads on a cylindrical fusion implant. One problem results in that threads take up additional space which makes implantation in areas having limited anatomical space very difficult, such as in the posterior approach in the lumbar spine. Additionally, the threads effectively make the wall thickness greater which further separates bone provided inside the implant with bone provided outside the implant, which can delay initial bone union.

For bone fusion to occur with any of the above devices, the invasion of new delicate blood vessels from the adjacent healthy bone is necessary for the creation of new living interconnecting bone. Where complete stabilization does not occur instantaneously upon implantation, motion can disrupt the in growth of delicate blood vessels. Disruption of the vessels then restricts or even prevents bone healing therebetween. The same problem occurs with any of the above mentioned implant techniques, including the threaded techniques of Otero-Vich and Michelson. Even when the annulus is completely on stretch, the threads per se of these constructions do not function in the manner of conventional screws, extending through one object and into another. Namely, they do not function to fasten together adjacent bodies by coaction of the implant with each body. For example, the threads merely act as a series of ridges that engage with each adjacent bone body, while the implant body functions as a wedge. The implant distracts apart the vertebral bodies which stretches the annulus, and stabilizes the articulation as a consequence thereof, while the thread functions solely to prevent axial dislodgement. Furthermore, the presence of threads requires the implant to be screwed in place via a torquing process, instead of tapping the implant directly into position.

Hence, some recent designs have resulted in an implant that produces immediate fixation per se between bone bodies following insertion and independent of the annulus. Such designs show promise particularly for cases where the annulus structure is substantially or completely weakened or damaged at surgery. Where the annulus is damaged so significantly as to lose structural integrity, the wedge-effect of prior art threaded implants will not produce any distraction forces across the annulus. Also, when the implant is used to arthrodesis and change angulation, a healthy annulus cannot be totally corralled to be placed on stretch. As a result,

5

there is no form of stabilization or fastening between bone bodies sufficient to enable the occurrence of arthrodesis therebetween when the annulus is weakened or inadequate. Additionally, there exist additional shortcomings with such recent designs as discussed below.

5 One such design that produces immediate fixation is disclosed in Bagby (U.S. Patent No. 5,709,683) as a bone joining implant having a spline or undercut portion that engages in assembly with each bone body to be joined. However, such design requires the preparation of bone beds that are engaged in interlocking relation with a bone bed engaging portion provided by such undercut portions.

10 Many of the previously described implants can be inserted between vertebrae while such vertebrae are distracted with a distraction tool. One such tool uses a threaded pin which is inserted laterally into each bone body, with such pins being rigidly secured therein. Such tool distracts the vertebrae by separating the pins and vertebrae which stretches the annulus. A drill is then used to drill out bone beds
15 within the vertebrae, after which the implant is inserted therein. However, such procedure does not always impart sufficient distraction and takes time and space to implement.

Yet another group of implant designs provide distraction between adjacent vertebrae, including U.S. Patent No. 5,665,122 to Kambin and U.S. Patent No. 5,
20 702,455 to Sagar. Kambin teaches an expandable intervertebral implant formed from several components that cooperate with an expansion screw to distract adjacent vertebral bodies by expanding two of the cage components relative to one another. However, such design is formed from several discrete components that are movably fastened together and which are susceptible of loosening and misadjusting within a
25 patient. Sagar teaches a spine stabilizing prosthesis that is inserted within a cavity between vertebrae. Such design forms a jacking screw adjustment member that expands apart a pair of bearing members, each engaged with a respective vertebra. However, such design is illustrated in use as being inserted within a vertebral cavity that is formed by removal of a portion of a vertebra such as is formed by a
30 corpectomy.

Therefore, there is a present need to provide an implant device that instantly fastens bone bodies together upon implantation, enhances arthrodesis by encouraging bony fusion adjacent the implant, and imparts distraction between adjacent bone bodies during insertion. There is also a need to provide such a device that

6

facilitates staged stabilization leading to bone fusion, in a manner that is relatively simple, more reliable, less complicated, has fewer parts, and leads to quicker and more thorough bone fusion and remodeling therebetween. The final stage of bone fusion through and around the implant substantially eliminates any need for the
5 implant to maintain the fusion, thus allowing the bone union to provide primary support therebetween.

Disclosure of the Invention

In accordance with one aspect of the invention, a bone joining implant comprises a tubular body having an open leading end, an open trailing end, and a
10 central aperture; the open leading end communicating with the central aperture and configured to entrap a bone projection from each of a pair of adjacent bone bodies being joined together. The bone projection is integrally formed from each bone body being joined, and the implant houses bone graft material therein. The bone projections and bone graft material cooperate to enhance arthrodesis. Such implant
15 directly and instantly stabilizes adjacent bone bodies by entrapping the bone projections.

In accordance with a second aspect of the invention, a vertebral interbody implant comprises a tubular body having an oblique outer surface and a cylindrical inner surface, and a tapered portion extending from a cylindrical leading end
20 between the inner surface and the outer surface. The cylindrical leading end is sized to be received within bone beds of adjacent vertebrae being joined, and the tapered portion operative to self-distract the vertebrae during insertion of the oblique outer surface therebetween. The tapered portion, in combination with the oblique outer surface, imparts indirect stabilization by commanding an annulus
25 between the adjacent bone bodies to tighten or stretch in response to distraction of the adjacent bone bodies.

In accordance with a third aspect of the invention, a tubular implant contains an aperture extending completely through the implant having a substantially continuous inner diameter which facilitates x-ray evaluation of bone healing within
30 the implant, following implantation and arthrodesis. Particularly, such aperture facilitates evaluation extending in a direction along the axis of the tubular implant, generally in an anterior to posterior direction.

In accordance with a fourth aspect of the invention, a single tubular body implant is provided for implantation between the pair of bone bodies. Such tubular

implant caters to a reduced amount of surgery in that a single implant serves the surgical purpose of two implants, in selected cases.

In accordance with a fifth aspect of the invention, a tubular implant includes a tubular body having an oblique outer surface and a cylindrical inner surface that is configured to be received in conforming implantable relation with a pair of bone bodies that are formed from a single cylindrical cut taken between adjacent bone bodies. Upon distraction, the cylindrical cut forms an obliquity between the adjacent bone bodies which conforms in substantially compliant fit-up with the oblique outer surface of the tubular implant. Such conforming fit-up increases frictional stabilization between adjacent bone bodies by generating a larger contact surface area therebetween. Furthermore, the oblique outer surface mates with such bone bodies in a manner that imparts a degree of lateral stabilization so as to prevent lateral movement at the adjoining interfaces.

In accordance with a sixth aspect of the invention, a tubular implant is provided with an open leading end and a central aperture in a manner to entrap intact bone projections extending from each of a pair of adjacent bone bodies. Such entrapment provides immediate, or instant, fixation between the adjacent bone bodies in a manner that caters to retention of the local bone bodies via the intact bone projections. Furthermore, bone graft material, or chips, are provided within the interior of the tubular implant so as to provide osteogenic material that is placed inside the implant. Such osteogenic material is preferably generated during preparation of the bone beds, which eliminates the need to perform additional surgeries for obtaining foreign bone graft material from other locations on a patient, or from another patient.

Brief Description of the Drawings

Preferred embodiments of the invention are described below with reference to the following accompanying drawings.

Fig. 1 is a perspective view of a vertebral structure showing a vertebral interbody implant embodying this invention;

Fig. 2 is a perspective view of a vertebral structure showing a pair of vertebral interbody implants, similar to the implant depicted in Fig. 1, embodying this invention;

Fig. 3 is a simplified frontal view illustrating a pair of adjacent vertebral bodies prepared with distraction pins;

8

Fig. 4 is a simplified frontal view corresponding to the view depicted in Fig. 3, and illustrating a pair of adjacent vertebral bodies distracted by a distraction tool (not shown) that applies forces to the distraction pins;

Fig. 5 is a perspective view of a pair of adjacent vertebrae and illustrating a drill guide and drill bit used to form a first bore used to prepare bone beds within the vertebrae;

Fig. 6 is a perspective view of the pair of vertebrae of Fig. 5, and illustrating a hole saw used with the drill guide to further prepare the bone beds within the vertebrae by cutting a cylindrical kerf therein;

Fig. 7 is a simplified side view illustrating the hole saw of Fig. 6 cutting a cylindrical kerf within the pair of vertebrae;

Fig. 8 is a perspective view of an alternative hole saw usable with a power tool for cutting a cylindrical kerf within the vertebral bodies of Fig. 7;

Fig. 9 is a simplified sagittal view illustrating the alternative hole saw usable with a power tool of Fig. 8 cutting a cylindrical kerf within the pair of vertebrae;

Fig. 10 is a perspective view of a kerf cleaning/deburring tool for cleaning debris from the cylindrical kerf formed within the vertebral bodies;

Fig. 11 is a simplified sagittal view showing the kerf cleaning/deburring tool of Fig. 10 and illustrating the removal of debris from within the cylindrical kerf formed within the vertebral bodies.

Fig. 12 is a perspective view of the vertebral interbody implant of Fig 1 for insertion within the prepared bone beds of Fig. 11;

Fig. 13 is a perspective view taken from the driven end of the vertebral interbody implant of Fig. 12;

Fig. 14 is a side view of the vertebral interbody implant of Fig. 12;

Fig. 15 is a leading end view of the vertebral interbody implant of Fig. 12;

Fig. 16 is a driven end view of the vertebral interbody implant of Fig. 12;

Fig. 17 is an unrolled plan view of the outer peripheral surface of the vertebral interbody implant of Figs. 12-16;

Fig. 18 a perspective view illustrating an implant insertion tool usable for inserting the implant of Figs. 12-16;

Fig. 19 is a simplified frontal view illustrating a pair of vertebrae that have bone beds prepared according to the steps depicted in Figs. 1-11 comprising a cylindrical kerf;

9

Fig. 20 is a simplified frontal view illustrating the vertebrae of Fig. 19 in a distracted position corresponding to the position generated by inserting the implant of Figs. 12-16;

Fig. 21 is a simplified frontal view illustrating the vertebrae of Fig. 20 in a distracted position caused by inserting Applicant's implant of Figs. 12-16;

Fig. 22 is a simplified sagittal view taken along the centerline of the implant of Figs. 12-16;

Fig. 23 is a surgical time simplified sagittal view of the implant of Fig. 22 received within the prepared bone beds of adjacent vertebrae and containing bone fragments immediately following implantation;

Fig. 24 is a healed time simplified sagittal view of the implant of Fig. 22 received within the prepared bone beds of adjacent vertebrae and illustrating the vertebra following bone remodeling and reorganization and showing arthrodesis;

Fig. 25 is a coronal view of the implant and healed bone comprising vertebrae and taken along line 25-25 of Fig. 24 and showing arthrodesis;

Fig. 26 is a perspective view of an alternatively constructed vertebral interbody implant similar to the embodiment depicted in Figs. 1-25 for insertion within the prepared bone beds of Fig. 11; and

Fig. 27 is a frontal view of the vertebral interbody implant of Fig. 26.

Best Modes for Carrying Out the Invention and Disclosure of Invention

A preferred embodiment bone joining implant in accordance with the invention is first described with reference to Figures 1, 12-18 and 21-25. Such an implant is described further below with respect to an open-ended vertebral interbody implant having instant fixation in the form of a leading open end and self-distraction features in the form of a cylindrical inner surface and an oblique outer surface. The fixating and self-distracting implant is designated in Figures 1, 12-18 and 21-25 generally with reference numeral 10. An alternative implementation comprising a pair of somewhat smaller sized implants 110 are depicted in Figure 2. Yet another alternative implementation comprises a substantially cylindrical tubular implant 210 depicted in Figures 26 and 27.

As shown in Figures 1, 12-18 and 21-25, implant 10 comprises a rigid, unitary body having a cylindrical leading edge 86 and an oblique outer surface 90, with an open leading end 96 (see Figs. 12-16). As shown in Figure 1, implant 10 is inserted

10

within an aperture 18 formed between a pair of adjacent vertebral bodies 12 and 14 within a vertebral column 16.

As shown in Figure 1, aperture 18 is prepared within vertebral bodies 12 and 14, and disc 16, according to the procedure and tools depicted in Figures 5-11 described below in further detail. Aperture 18 forms a pair of vertebral bone bodies 22 and 24 that are formed to have a cylindrical configuration comprising a cylindrical kerf 158 (see Fig. 19). A leading cylindrical end of implant 10 is inserted into aperture 18, causing annulus 20 to distract as implant 10 is inserted therein (see Figs. 19-21 below). A leading open end 96 (see Fig. 12) of implant 10 entraps an intact living bone projection 168 and 170 on each respective vertebral body (see Figs. 19-22) which imparts immediate fixation between adjacent vertebral bodies 22 and 24 upon implantation.

More particularly, vertebrae 12 and 14 comprise neighboring bone bodies of a vertebral column 16 (see Fig. 1). A resilient articulation or joint is formed between vertebra 12 and 14 by a disc 16 extending between vertebrae 12 and 14. Anatomically, the disc is made up of a central nucleus pulposus and an outer encircling annulus. The annulus and nucleus pulposus are composed of laminae of fibrous tissue and fibro-cartilage. The nucleus pulposus, located at the center of the disc, comprises a soft, pulpy, highly elastic substance. The annulus is formed from laminae of fibrous tissue extending in criss-crossing fashion to encircle the nucleus pulposus. Additionally, the intervertebral disc is adherent, by its cephalad and caudad surfaces, to a thin layer of hyaline cartilage that covers the top and bottom surfaces of adjacent vertebrae. In a healthy patient, adjacent vertebra 12 and 14 are spaced apart by disc 16. However, degenerative disc disease and localized trauma can cause degradation or complete loss of the soft tissue components between neighboring vertebrae. For example, the annulus can partially or completely tear which can seriously degrade the structural condition of the articulation. Additionally, fluid can escape from the nucleus pulposus. When any of the above happens, vertebrae 12 and 14, loaded by the normal weight bearing of a patient, are pressed into closer adjoining positions, which can result in pinching of nerves that extend from between vertebrae of the spinal column (not shown).

Therefore, there is a need to recover the disc spacing provided by a normal healthy disc 20 by way of inserting implant 10. Furthermore, there is a need to provide implant 10 with a fixation that instantly interlocks adjacent vertebra 12 and

11

14 together upon being implanted. Furthermore, there is a need for such an implant 10 that imparts distraction to disc 20 upon insertion and that facilitates staged stabilization resulting in arthrodesis to occur between the vertebral bodies, following initial implantation. Even furthermore, there is a need to instantly fix
5 adjacent vertebrae together since relative motion can otherwise cause pinching of nerve tissue.

As a result, implant 10 can be inserted, preferably in a central location between adjacent vertebrae 12 and 14 of patients who have bad, ruptured or degenerative discs. A pair of somewhat smaller sized laterally positioned implants
10 may also be used in chosen cases, as shown in Figure 2. Furthermore, implant 10 can be axially oriented anterior to posterior, or even laterally. In summary, implants 10 are adapted for implantation between prepared bony surfaces or beds 22 and 24 and across the articulation formed by disc 20. A typical implantation might involve placement of one or more implants 10 as required in order to
15 stabilize and fix the joint during bone ingrowth and through-growth of the implant structure. Bone growth is also accomplished outside of and surrounding the implant.

Figure 2 illustrates an alternative implementation comprising a pair of laterally positioned implants 110. Implants 110 are essentially identical to implant 10 (of Fig. 1), but are sized smaller in dimension. Such implementation enables
20 correction of lateral spinal curvatures by inserting a laterally positioned pair of implants 110 having different outer dimensions into similarly sized bone beds between adjacent vertebrae. Such dual implant implementation also imparts additional stability across disc 20 over that provided by the single implant implementation depicted in Figure 1.

25 However, such dual implant implementation uses individual implants 110 that are sized smaller than the single implant 10 of Figure 1. As a result, such dual implant implementation uses smaller sized apertures 118 which do not invade as much cancellous bone as the apertures 18 (see Fig. 1) for the larger sized single implant implementation of Figure 1. A solitary implant 10 as shown in Figure 1
30 invades cancellous bone since aperture 18 has a larger diameter. In contrast, the smaller sized dual implants 110 of Figure 2 tend to invade mostly cortical bone on the end plates. However, cancellous bone is more desirable for bone growth during staged bony fusion since cancellous bone is more osteogenic than cortical bone.

12

New growth bone, or callus bone, comprises soft cancellous bone that only becomes hard (cortical) over time via action of Wolff's Law of maturity.

Figures 3 and 4 illustrate one technique for distracting an articulation between adjacent vertebral bodies 12 and 14 by placing disc 20 under stretch. Such
5 technique has been used with prior art vertebral interbody implants and fusion cages to impart distraction, after which an aperture 218 (see Fig. 3) is formed in the articulation into which an implant is inserted. However, some relaxation typically occurs to disc 20 following insertion.

In contrast, Applicant's implant depicted in Figures 1 and 2 generates self-
10 distraction during insertion. It is understood that Applicant's invention can be implemented in combination with the distraction technique taught in Figures 3 and 4 in order to further impart distraction between vertebral bodies 12 and 14 by stretching disc 20.

As shown in Figure 3, a rigid metal pin 26 and 28 is inserted in a lateral
15 direction into each vertebra 12 and 14, respectively. Pins 26 and 28 are each formed from a cylindrical piece of rigid stainless steel having a threaded leading end (not shown). Such pins 26 and 28 are formed in a manner similar to Harrington rods, but are shorter in overall length. Pins 26 and 28 are threaded into respective apertures that have been pre-cut or drilled into vertebrae 12 and 14, respectively.
20 Preferably, pins 26 and 28 are inserted laterally into vertebrae 12 and 14 such that pins 26 and 28 are rigidly secured in parallel respective relation separated by a spaced apart distance D_1 .

As shown in Figure 4, external distraction force is applied between pins 26
and 28 by a distraction tool (not shown) so as to impart distraction between pins
25 26 and 28 and vertebral bodies 12 and 14. Several tools are understood in the art for distracting apart vertebral bodies. One technique involves modifying a pair of forceps to receive pins 26 and 28. U.S. Patent No. 4,898,161 to Grundei teaches another variation of a distraction tool comprising a pair of forceps for pushing apart vertebrae. According to the Grundei tool, pins are integrally formed by the forceps
30 for pushing apart adjacent vertebrae when jaws on the forceps are spread apart. Such U.S. Patent No. 4,898,161 is herein incorporated by reference as showing a distraction tool presently understood in the art. Preferably, pins 26 and 28 are moved apart by the distraction tool so that they remain in parallel relation. Accordingly, vertebral bodies 12 and 14 are moved apart without imparting any

13

relative rotation therebetween. As a result, pins 26 and 28 are distracted to a new spaced apart distance D_2 . Hence, vertebral bodies 12 and 14 are distracted apart a total distance $D_T = D_2 - D_1$.

Following distraction of vertebral bodies 12 and 14, an aperture 218 is
5 formed cooperatively within vertebral bodies 12 and 14 and further within disc 20 with a drill bit and/or saw. Such aperture 218 forms a pair of bone beds 222 and 224 that receive a prior art vertebral interbody implant.

Optionally, an aperture 18 (as depicted in Figure 19) can be formed within vertebral bodies 12 and 14 of Figure 4. Accordingly, distraction D_T can be imparted
10 between vertebral bodies 12 and 14 which is in addition to the self-distraction that is generated by merely inserting implant 10 of Applicant's invention between bodies 12 and 14 as described below with reference to Figure 21.

Figures 5-11 illustrate the preparation of aperture 18 and bone beds 22 and 24 within vertebral bodies 12 and 14, respectively (of Fig. 1). Such figures illustrate
15 one technique for preparing a suitable pair of bone beds within adjacent vertebrae 12 and 14 for receiving implant 10 (of Fig. 1) such that self-distraction and immediate fixation are imparted between vertebral bodies 12 and 14.

Figure 5 depicts a tool guide 30 and a drill bit 38 that are used to drill a bore 40 (see Figs. 6 and 7) into vertebral bodies 12 and 14 and disc 20. Bore 40
20 is drilled a sufficient depth into bodies 12 and 14 so as to leave intact living bone projections 168 and 180 (see Fig. 11) having sufficient size to impart instant fixation between bodies 12 and 14 upon insertion of implant 10.

As shown in Figure 5, tool guide 30 is first tapped into engagement with vertebral bodies 12 and 14 by an alignment drive and hammer (not shown). Sharp
25 fingers or projections 32-35 engage and enter the outer surfaces of bodies 12 and 14 which causes tool guide 30 to be rigidly and securely seated between bodies 12 and 14. In this position, a central bore 36 of tool 30 is aligned in an anterior/posterior direction. Bore 36 is sized to receive and guide a tool bit 38 in an anterior/posterior direction through bodies 12 and 14 and annulus 20.

30 More particularly, drill bit 38 is driven in rotation by a drill (not shown) so as to cut out bore 40 (see Fig. 7). One suitable drill comprises a Hudson hand-driven manual drill. Alternatively, a power drill can be used to drive drill bit 38. Typically, bore 40 is drilled with sufficient depth into bodies 12 and 14 to extend between 30-70% of the depth of cylindrical kerf 44 as shown in Figure 7. Kerf 44

14

is subsequently cut using one or more of the tools depicted with reference to Figures 6-11 as described below.

Figure 6 illustrates a hole saw 42 used in combination with tool guide 30 to form part or all of a cylindrical kerf 44 (see Fig. 7). As illustrated in Figure 7, hole saw 42 is used to cut a cylindrical groove 68 (see Fig. 9) to a depth approaching 90% of the finished depth of kerf 44. Hole saw 42 is inserted into bore 40 such that a cylindrical groove is cut in axial alignment with bore 40. Thereafter, oscillating cylindrical blade 50 (of Figs. 8 and 9) is used to cut the remaining depth of cylindrical groove 70 which corresponds to the final depth of kerf 44 as shown in Figure 9. A hand-driven kerf cleaning/deburring tool 72 is then used to clean debris 84 (see Figs. 10 and 11) from cylindrical groove 70 which prepares and finishes kerf 44 therein. Optionally, hole saw 42 (of Figs. 6 and 7) and/or oscillating cylindrical blade 50 can be used to prepared kerf 44. Further optionally, kerf 44 can be formed solely by use of hand-driven tool 72.

As shown in Figures 6 and 7, hole saw 42 comprises a hollow saw blade having a shank that is driven in rotation by a drill (not shown). The cylindrical saw blade of hole saw 42 is inserted in bore 36 of tool guide 30 during a cutting operation. Guide 30 directs hole saw 42 to cut in an accurate anterior/posterior direction that is coaxial with bore 40 formed by drill bit 38 (of Fig. 5).

Figure 7 illustrates hole saw 42 during a cutting operation. According to one implementation, hole saw 42 is used to cut to a depth indicated by cylindrical groove 68 shown in Figure 9. Subsequently, reciprocating cylindrical blade 50 (of Figs. 8 and 9) is used to further and substantially form a remaining portion of kerf 44.

Figure 8 illustrates one suitable construction for a reciprocating cylindrical blade 50 used in conjunction with hole saw 42 (of Figs. 6 and 7) and tool 72 (of Figs. 10 and 11) to form cylindrical kerf 44. More particularly, cylindrical blade 50 comprises a specially constructed reciprocating blade designed for use with an existing, or slightly modified, Stryker hand-held saw 46. Several Stryker hand-held saws are commercially available for producing reciprocating saw blade motion. Stryker Corporation is located in Kalamazoo, Michigan, and develops, manufactures, and markets speciality surgical instruments.

As shown in Figures 8 and 9, cylindrical blade 50 comprises a hollow cylindrical metal tube with a leading end forming a plurality of cutting teeth 62, and

15

a trailing end forming an end wall 63. End wall 63 of Figure 9 contains a pair of small apertures 64 positioned above a pair of enlarged apertures 66. Apertures 64 and 66 are sized and positioned in end wall 63 so as to mount cylindrical blade 50 coaxially about the axis of rotation generated by saw blade drive member 48 on Stryker saw 46. Pins 56 and 58 interdigitate with apertures 64 and 66, respectively to impart rotatable securement between blade 50 and drive member 48. A threaded hexagonal fastener 52 is received through a bore 65 in end wall 63 and into a complementary threaded aperture 60 within drive member 48 so as to rigidly secure blade 50 onto drive member 48 for reciprocation.

10 In operation, drive member 48 is driven in reciprocating pivotal movement by saw 46, which imparts reciprocation to blade 50 and teeth 62 so as to generate cutting forces. Such cutting forces are directed against an object such as vertebral bodies 12 and 14 and disc 20 as shown in Figure 9. Cylindrical blade 50 is sized with a dimension close to that of bore 36 of tool guide 30 such that saw blade 50 is axially guided in coaxial relation within bore 40 (see Fig. 7) and cylindrical groove 68 (see Fig. 9). Cylindrical blade 50 is used to cut all the way from groove 68 and to groove 70 which is substantially the entire depth of the finished kerf 44 (of Fig. 11).

Figure 10 illustrates one construction for a kerf cleaning/deburring tool 72 used to remove debris 84 from within cylindrical groove 70 of vertebral bodies 12 and 14 (see Fig. 11). Tool 10 includes a t-shaped handle 74 and a hollow cylindrical cutting body 76 having an open end terminating in a plurality of circumferentially spaced apart cutting teeth 78. A deep gullet, or throat, 82 is provided between adjacent teeth 78 for collecting debris that is removed when tool 25 10 is inserted and rotated within cylindrical groove 70 (see Fig. 11).

Figure 11 shows tool 72 in partial breakaway view positioned to clean out debris 84 from cylindrical groove 70. Tool 72 is inserted into groove while handle 74 is rotated back and forth to impart back and forth rotary movement to teeth 78 within groove 70. Debris 84 is removed and cut from groove 70 by movement of teeth 78. Such debris 84 lodges in gullets and within the hollow interior of body 30 76. Tool 72 is then removed from groove 70 which also removes debris 84. Furthermore, teeth 78 impart a final finished dimension to cylindrical kerf 44 prior to inserting an implant therein.

16

Figure 12 illustrates self-distracting and fixating implant 10 in perspective view. Implant 10 has a cylindrical leading edge 86 and a trailing edge 88. An oblique outer surface 90 and a cylindrical inner surface 92 are formed between edges 86 and 88. A central cylindrical chamber, or aperture, 94 is formed within
5 implant 10, between edges 86 and 88. Chamber 94 forms an open leading end 96 and an open trailing end 98 within implant 10. Upon implantation, open leading end 96 entraps projections 168 and 170 as shown in Figures 21 and 22 which imparts immediate fixation between vertebral bodies 12 and 14.

As shown in Figure 12-17, four discrete beveled retaining tabs 116 are
10 formed on oblique outer surface 90 adjacent to trailing end 88. Tabs 116 are positioned about surface 90 so as to engage within one of the bone beds formed in the vertebral bodies being joined. Such fingers have a ramped front face and a sharp rear edge that serves to facilitate insertion of implant 10 between prepared bone beds, while preventing dislodgement therefrom. More particularly the sharp
15 rear edges of tabs 116 serve to engage with such bone beds, preventing inadvertent dislodgement of implant 10 from between a pair of prepared bone beds.

As shown in Figures 12-15 and 17, a plurality of interruptions 102 are formed in cylindrical leading edge 86, and extending into a tapered portion 104. Such interruptions comprise wedge-shaped removed portions of tapered portion 104 which
20 cooperate to form individual tapered fingers 100 extending from cylindrical leading edge 86. Interruptions 102 serve to further collect any debris that still remains within cylindrical kerf 44 during insertion as shown in Figure 22.

Also shown in Figures 12-15 and 17, a plurality of fenestrations 112 are provided spaced apart and extending through the tubular wall of implant 10. Such
25 fenestrations 112 serve to facilitate bony ingrowth and through growth, and generally staged fusion as discussed in Applicant's issued U.S. Patent No. 5,709,683 incorporated herein by reference. Additionally, a pair of slightly larger sized tool fenestrations 114 are provided along trailing edge 88 for receiving pins 144 and 146
of an insertion tool 120, as shown and described in greater detail below with
30 reference to Figure 18. Tool fenestrations 114 are positioned at locations perpendicular to guide slots 106 and 108; namely, at the 3 o'clock and 9 o'clock positions. During insertion, guide slots 106 and 108 are used to visual guide placement of implant 10 so as to impart self-distraction to adjacent vertebral bodies, as described in further detail below.

17

Such bony ingrowth and through-growth occur following insertion of implant 10 within bone beds defined by inner surfaces 160 and 164 and outer surfaces 162 and 166 as shown in Figure 23. More particularly, remodeled bony ingrowth and through-growth are shown and described below in Figures 24 and 25. Fenestrations 112 extend substantially throughout the walls of tubular implant 10, particularly as shown in Figure 17. Such fenestrations 112 offer avenues of ingrowth of bone between vertebrae, which is stimulated by bone graft material placed within a central chamber comprising cylindrical aperture 94 (see Fig. 15). In this manner, fenestrations 112 serve to facilitate earlier and more thorough ingrowth of bone within implant 10. Furthermore, fenestrations 112 enhance overall through growth of bone through implant 10.

A pair of guide slots 106 and 108 are also provided on a trailing end 88 of implant 10 to facilitate proper presentation and alignment when inserting implant 10 between a pair of vertebral bodies. Guide slots 106 and 108 are positioned at the 12 o'clock and 6 o'clock positions during insertion, corresponding with superior and inferior locations. Such positioning is crucial since implant 10 has an oblique outer surface that is designed to impart distraction between adjacent vertebra during insertion therebetween.

According to Figure 17, oblique outer surface 90 of implant 10 is shown in an unrolled plan view to better depict layout of fenestrations 112, tool fenestrations 114, fingers 100, tabs 116 and guide slots 106 and 108. Tapered portion 104 is also shown extending along leading edge 86. Guide slots 106 and 108 are shown positioned along opposite trailing edge 88.

One feature of Applicant's invention is provided by forming a cylindrical leading edge 86, and an oblique outer surface 90. Edge 86 is inserted into an appropriately sized cylindrical kerf 44 (see Fig. 21), and insertion pressure is applied sufficient to generate distraction between adjacent vertebrae as leading tapered portion 104 is inserted therein. Hence, vertebrae 12 and 14 are distracted following implantation of implant 10 therebetween.

Figure 18 illustrates an insertion tool or instrument 120 configured for loading implant 10 into prepared bone beds formed by kerf 44 and bore 40 (see Fig. 11). More particularly, bone beds are provided by a pair of inner surfaces 160, 164 and a pair of outer surfaces 162, 166 formed at least in part by kerf 44 as viewed in Figures 19 and 20.

Insertion tool 120 is formed from a driver 122 and a guide 124. Guide 124 forms a threaded bore 125 in which driver 122 is received in adjustable, threaded

18

engagement via threaded portion 150 of driver 122. An adjustment nut 126 cooperates with a lock nut 126 to enable securement of driver 122 within guide 124 at a desired, threaded axial location.

Once driver 122 has been threaded sufficiently into guide 124 to cause pins 140 and 142 to be moved outwardly via contact with end 148, nut 126 is tightened into engagement against trailing end 138. Subsequently, lock nut 128 is tightened into engagement against nut 126.

A recessed mounting surface 130 is formed adjacent a leading end 137 of guide 124. Surface 130 is sized to slidably fit securely within open trailing end 98 (see Figs. 13 and 16) of implant 10. Once positioned over surface 130 and against a receiving shelf 134, implant 10 is locked onto guide 124 by outwardly biasing a pair of retaining pins 140 and 142 within tool fenestrations 114. Preferably, pins 140 and 142 are sized sufficiently to fit within tool fenestrations 144, but are oversized relative to fenestrations 112 (of Figs. 12-17). Hence, pins 140 and 142 are sized to prevent misaligned mounting of implant 10 onto insertion tool 120.

More particularly, driver 122 forms a driver pin 156 that extends within an enlarged bore 136 formed within guide 124. Bore 136 decreases in size immediately adjacent leading end 137 so as to form a reduced diameter bore 132. Bore 132 enables clearance of a beveled frustoconical end 148 of driver pin 156 during threaded adjustment between driver 122 and guide 124. Frustoconical end 148 mates in sliding engagement with a radially inwardly extending end of each pin 140 and 142. Such inward end of each pin 140 and 142 forms a complementary beveled end that mates for sliding engagement with end 148 as driver 122 is adjustably positioned within guide 124.

Pins 140 and 142 are retained for radially extending inward/outward movement within associated guide holes 144 and 146, respectively. More particularly, each pin 140 and 142 is retained within hole 144 and 146 via a press-fit rolled pin 141 and 143, respectively. Each rolled pin 141 and 143 passes through an elongated slot formed through each associated pin 141 and 143. In this manner, each pin 141 and 143 is allowed to slide within guide hole 144 and 146, respectively, but is prevented from becoming completely dislodged.

In order to facilitate insertion of implant 10, driver 122 has an enlarged driver handle 152 that terminates to form a driver end 154. Driver end 154 is shaped to facilitate impact with a hammer during insertion of an implant 10 between bone bodies. Furthermore, pins 140 and 142 cooperate with recessed mounting surface 130 and shelf 134 to rigidly and securely retain implant 10 on tool 120, even where considerable

19

lateral loading might occur. Such lateral loading might occur, for example, as a result of wiggling implant 10 and tool 120 while attempting to insert tool 10 within a pair of prepared vertebrae. Upon insertion, implant 10 traps adjacent vertebrae for immediate fixation, within open leading end 96.

5 Once implant 10 has been inserted between bone bodies, nuts 126 and 128 are loosened, after which driver 122 is loosened or unthreaded relative to guide 124 which enables pins 140 and 142 to retract. Preferably, the outermost ends of pins 140 and 142 are chamfered to facilitate removal of implant 10 from tool 120. Optionally, frustoconical end 148 can be magnetized to impart retraction of pins 140 and 142 as
10 drive pin 156 is retracted within guide 124.

Figures 19 and 20 illustrate prepared vertebrae 12 and 14 prior to insertion of an implant and after insertion of an implant of Applicant's invention, respectively, but with the implant omitted for clarity. Figure 21 corresponds with Figure 20, but shows the details of implant 10 inserted in interlocking relation with vertebrae 12 and 14.

15 As shown in Figure 19, a pair of vertebrae 12 and 14 are retained together with an intervertebral disc 20. An aperture 18 is formed partially as a kerf 44, and generates bone beds in the form of inner surfaces 160, 164 and outer surfaces 162, 166. A pair of intact bone projections 168 and 170 are formed as a result extending from vertebrae 12 and 14, respectively. Such bone projections 168 and 170 are entrapped within the
20 open leading end 96 of implant 10 (see Fig. 12) immediately upon insertion. Hence, instant fixation is provide upon implant of such device. Furthermore, instant distraction is also generated as a result of the oblique outer surface 90 of implant 10 (see Fig. 12).

As shown in Figure 20, the forcible insertion of an implant between bone bodies, or vertebrae, 12 and 14 causes self-distraction of amount "D" which corresponds to the
25 difference in diameter for cylindrical leading edge 86 and the outermost dimension of oblique surface 90 along the vertical direction, as shown in Figure 15. Dimension "D" is shown slightly exaggerated in Figure 20 to more clearly illustrate the self-distraction feature. In most applications, a lumbar placement would generate approximately 5 millimeters of distraction distance "D".

30 Figure 21 illustrates implant 10 inserted into vertebrae 12 and 14. Due to the difference in wall thickness caused by the oblique outer surface and cylindrical inner surface of implant 10, cylindrical kerf 44 only receives implant 10 snugly at the 12 o'clock (superior) and 6 o'clock (inferior) positions as shown in Figure 21. Tabs 116 are also shown inserted into vertebrae 12 and 14 which ensures retention of implant 10
35 therein, following implantation. Furthermore, the oblique outer surface mates in

20

conforming engagement with the prepared bone beds in vertebrae 12 and 14 such that lateral bending and rotation is resisted due to the increased frictional forces caused by close fit-up, and due to non-cylindrical mating contact.

As shown in Figure 21, implant 10 generates self-distraction between vertebrae 5 12 and 14, once implanted. The annulus is thereby placed on stretch which further stabilizes instant fixation. The non-cylindrical fit-up between implant 10 and vertebrae 12 and 14 cooperates with the stretched annulus so as to impart rigid, instant fixation. Furthermore, implant 10 stops further compression from occurring between vertebrae 12 and 14. Likewise, implant 10 entraps bone projections 168 and 170, which prevents any 10 distraction from occurring between vertebrae 12 and 14.

Figure 22 shows implant 10 during implantation between vertebrae 12 and 14, in a self-distracted position. Bone projections 168 and 170 are clearly shown entrapped within implant 10, which generates immediate entrapment of projections 168 and 170, and fixation between vertebrae 12 and 14. After removal and retraction of tool 124, 15 bone grafts, or morsels, 172 are then packed inside of implant 10, as shown in Figure 23.

According to Figure 23, bone grafts 172 facilitate earlier bone ingrowth and through growth. Similarly, fenestrations, as well as the open leading and trailing ends, of implant 10 further facilitate such ingrowth and through growth.

Figure 24 illustrates staged stabilization and fusion via Wolff's law, wherein bone 20 remodeling and reorganization has further fixed and fused such adjacent vertebrae 12 and 14. The trabeculae relocate through fenestrations to form a mature strengthening of the trabeculae. Additional reorganization is provided by preparing bone beds that recess implant 10 within vertebrae, and by providing bone graft material thereabout at the time 25 of implantation. Accordingly, additional bone reorganization is facilitated outside of implant 10.

Figure 24 is a sagittal section and diagrammatic view through implant 10 and vertebrae 12 and 14, illustrating reorganization of fused bone material through implant 10. Histologic bone cell geometry is shown in greater detail, corresponding in time with 30 complete bone remodeling. Lacunae and canals or voids 172 are formed between the bone 174.

Figure 25 is a coronal and diagrammatic view taken perpendicular to the view of Figure 24 along line 25-25. In such view, bone cells have remodeled to form a definite elongated configuration extending between vertebrae 12 and 14. Such remodeled 35 bone through growth can be seen between fenestrations on some sides of a patient,

21

occurring from cephalad to caudad, as well as between fenestrations along a diagonal configuration of the patient, from cephalad to caudad.

Figures 26 and 27 illustrate an alternative embodiment self-distracting and fixating implant 210. Figure 26 illustrates implant 210 in perspective view. Implant 210 is constructed similarly to implant 10 depicted in Figure 12. However, implant 210 is provided with a cylindrical outer surface 290 containing at least one helical thread 291. Implant 210 has a cylindrical leading edge 286 and a cylindrical trailing edge 288. Cylindrical outer surface 290 and a cylindrical inner surface 292 are formed between edges 286 and 288. A central cylindrical chamber, or aperture, 294 (see Fig. 27) is formed within implant 210, between edges 286 and 288. Chamber 294 forms an open leading end 296 and an open trailing end 298 within implant 210. Upon implantation, open leading end 296 entraps bone projections similar to those shown in Figures 21 and 22 on implant 10. Accordingly, instant fixation is provided between vertebral bodies.

Also shown in Figures 26 and 27, a plurality of interruptions 202 are formed in cylindrical leading edge 286, and extending into a tapered portion 204. Individual tapered fingers 200 are formed by interruptions 202, along cylindrical leading edge 286. Interruptions 202 serve to collect debris similar to the interruptions depicted for implant 10 of Figure 12.

Although implant 210 does not include an oblique outer surface, a tapered portion 104 extends along leading edge 286 so as to impart a degree of distraction when inserted into the cylindrical kerf 44, shown in Figure 20. However, the cylindrical threaded outer surface 290 will not generate quite the same degree of distraction, and will not impart the same degree of fit-up as will implant 10 of Figure 21.

Implant 210 also includes tool fenestrations 214 for facilitating insertion with tool or instrument 120 of Figure 18. Furthermore, implant 210 includes a plurality of fenestrations 212 for facilitating bony ingrowth and through growth following insertion of implant 210 within bone bodies of adjacent vertebral bodies.

22

CLAIMS

What is claimed is:

1. A bone joining implant, comprising;
a tubular body having an open leading end and a central aperture, the
5 central aperture similarly sized to the open leading end;
the open leading end communicating with the central aperture and configured
to entrap a bone projection from each of a pair of adjacent bone bodies being
joined together.
- 10 2. The implant of claim 1 wherein the tubular body has an oblique outer
surface, a cylindrical inner surface, a cylindrical leading edge, and a tapered leading
end portion, the tapered leading end portion extending from the cylindrical leading
edge to the oblique outer surface.
- 15 3. The implant of claim 1 further comprising a plurality of retaining tabs
provided on an outer surface of the tubular body and configured to retain the
implant between the pair of adjacent bone bodies.
4. The implant of claim 1 further comprising a plurality of fenestrations
20 provided in the tubular body, extending from the central aperture to an outer
surface.
5. The implant of claim 1 wherein the tubular body has an open trailing
end, the open leading end, the open trailing end and the central aperture have a
25 common, substantially uniform inner diameter configured to facilitate axial x-ray
analysis of arthrodesis.
6. The implant of claim 1 wherein the tubular body has an open trailing
end, the central aperture communicating with the open trailing end.
- 30 7. The implant of claim 6 further comprising a pair of tool fenestrations
provided adjacent the open trailing end and configured to enable mating of the
implant with a tool during insertion.

23

8. The implant of claim 6 wherein the tubular body includes at least one guide slot provided within the open trailing end, the guide slot operative to facilitate visual placement of the tubular body between a pair of adjacent bone bodies.

5 9. A vertebral interbody implant, comprising;
a tubular body having an oblique outer surface, a cylindrical inner surface, and a tapered portion extending from a cylindrical leading end between the inner surface and the outer surface;

10 the cylindrical leading end sized to be received within bone beds of adjacent vertebrae being joined, and the tapered portion operative to self-distract the vertebrae during insertion of the oblique outer surface therebetween.

10. The implant of claim 9 wherein an open leading end is formed within the cylindrical leading end.

15

11. The implant of claim 9 wherein the body includes an open leading end and an open trailing end, a cylindrical aperture further being provided therebetween.

12. The implant of claim 9 further comprising a plurality of fenestrations
20 provided in the body, extending from the hollow portion to the oblique outer surface.

13. The implant of claim 9 further comprising at least one tab carried by the oblique outer surface and configured for forcible engagement with a bone bed
25 of an adjacent vertebra, the tab operative to retain the tubular body in securement with the bone bed.

14. The implant of claim 9 further comprising at least one guide slot provided along a trailing end.

30

15. The implant of claim 9 wherein the implant comprises a vertebral interbody fusing device.

24

16. The implant of claim 9 further comprising a hollow portion provided in the body, the hollow portion configured to receive bone graft material therein, and a plurality of fenestrations provided in the body, extending from the inner surface to the outer surface.

5

17. The implant of claim 9 further comprising a hollow portion provided in the tubular body, the hollow portion configured to receive bone graft material therein, and a plurality of fenestrations provided in the body, extending from the hollow portion to the outer surface, the fenestrations configured to promote
10 physiological implant fixation.

18. A vertebral interbody implant, comprising:
a tubular body having an open leading end, an open trailing end, and a central aperture, the central aperture sized similarly to the open leading end and
15 the open trailing end;
the open leading end and the central aperture configured to entrap an integrally formed bone projection from each of a pair of adjacent bone bodies being joined together, the open leading end, open trailing end, and central aperture further cooperating to facilitate axial x-ray analysis of arthrodesis following
20 implantation.

19. The implant of claim 18 wherein the tubular body has an oblique outer surface.

25 20. The implant of claim 19 wherein the tubular body has a cylindrical inner surface.

21. The implant of claim 20 wherein the tubular body has a tapered portion extending from the cylindrical leading end between the inner surface and the
30 outer surface.

22. A method for joining together vertebral bodies, comprising:
providing a tubular intervertebral implant having an open leading end communicating with a central aperture;

25

preparing a receiving bed in each of a pair of adjacent vertebral bodies separated by an intervertebral disk, the vertebral bodies cooperating to form a cylindrical kerf, the kerf forming a bone projection from each vertebral body;

instantly fixing the vertebral bodies together by receiving the tubular implant
5 within the kerf such that adjacent bone projections of associated vertebral bodies are received within the open leading end and into the central aperture.

23. The method of claim 22 wherein over time, the instantly fixed vertebral bodies fuse together via arthrodesis.

10

24. The method according to claim 22 wherein the tubular body has an oblique outer surface, the oblique outer surface operative to impart distraction when receiving the tubular implant within the cylindrical kerf.

15

25. The method of claim 22 wherein the tubular body includes a plurality of tabs carried on an outer surface, each tab operable to engage with one of the receiving beds such that the implant is immovably received within the cylindrical kerf.

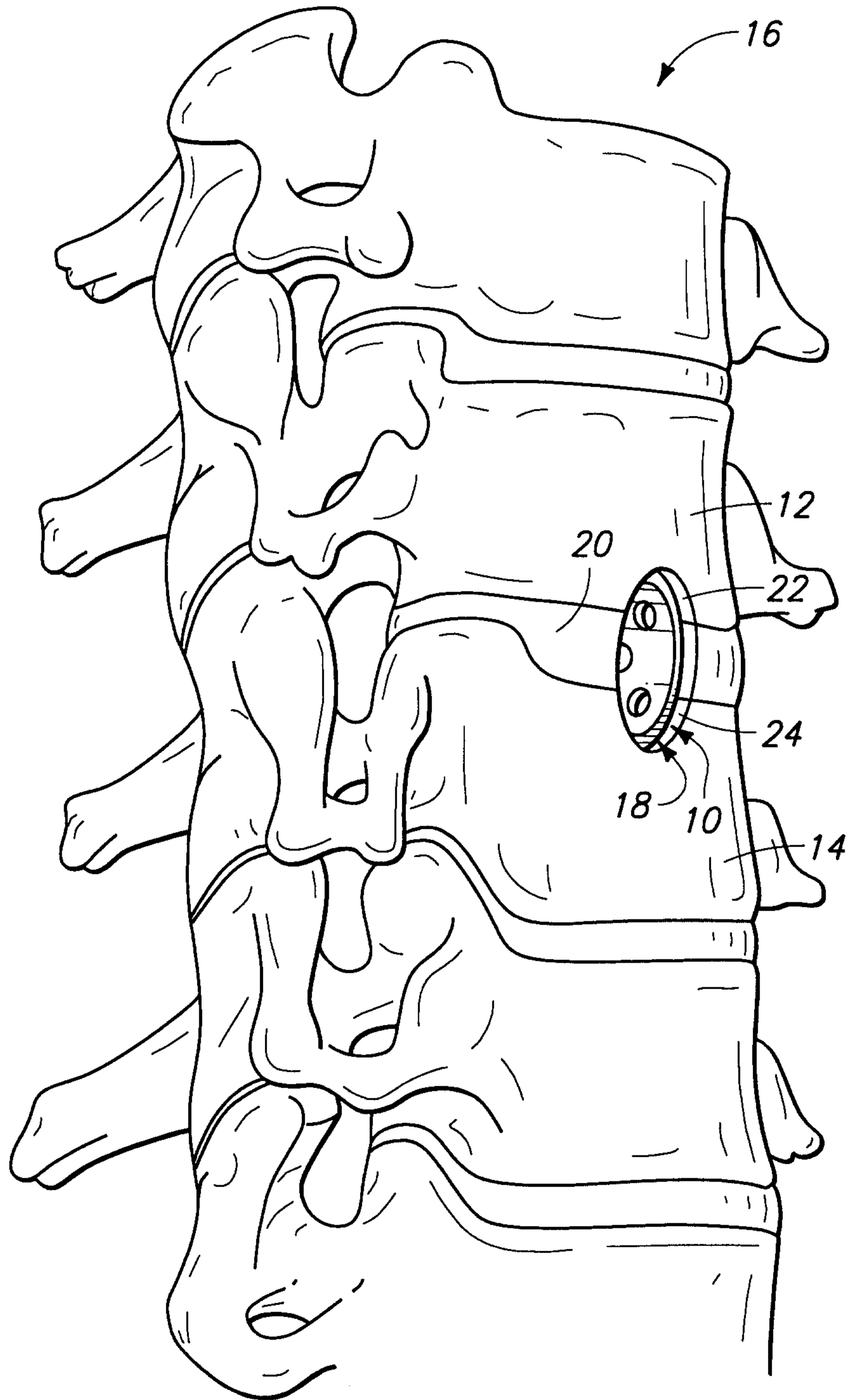
20

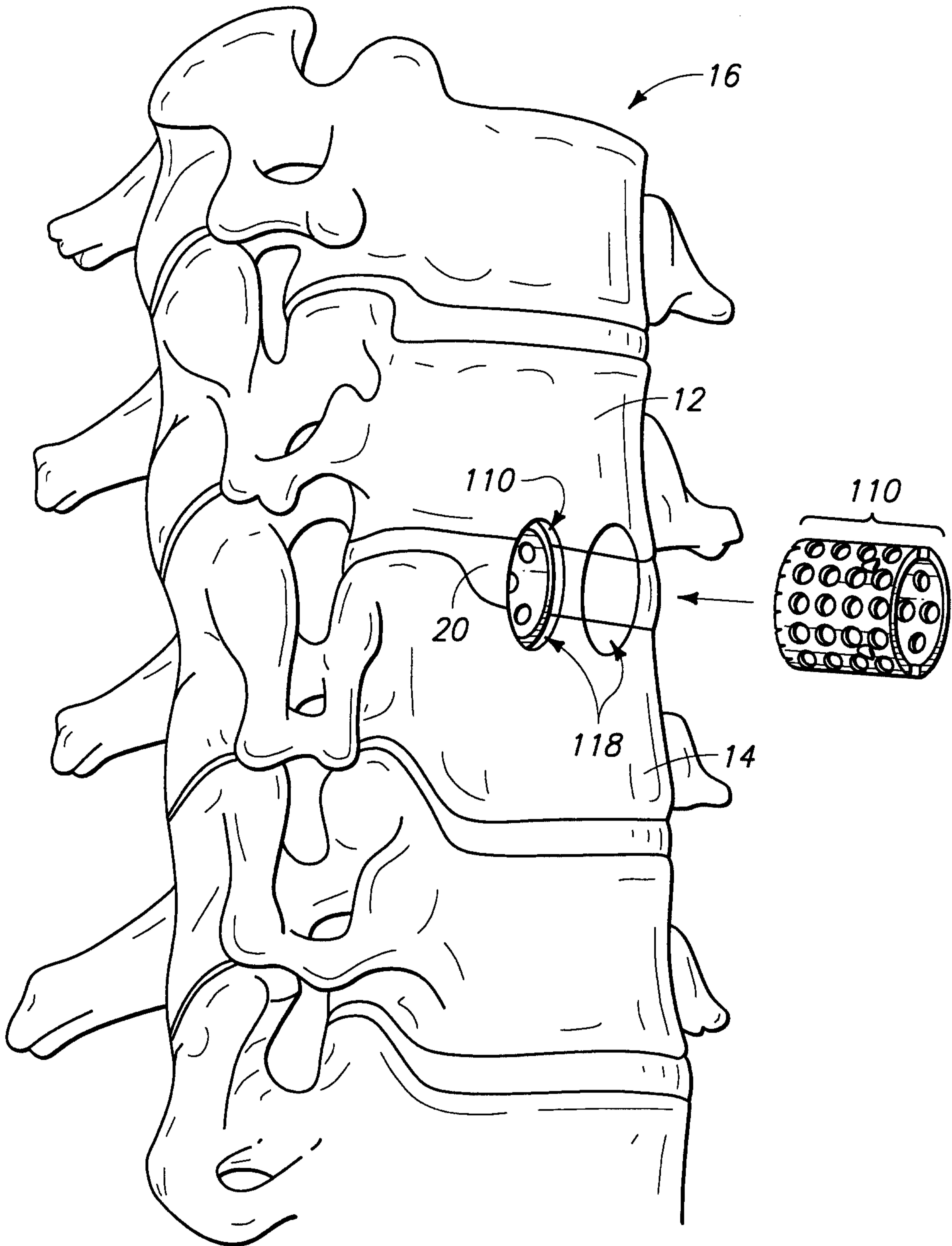
26. The method according to claim 22 wherein the tubular intervertebral implant has an open leading end, an open trailing end, and a central aperture, the open trailing end, the open leading end and the central aperture having a substantially uniform inner diameter operative to facilitate axial x-ray analysis of arthrodesis, wherein the implant is received within the kerf so as to facilitate x-ray
25 analysis of arthrodesis.

27. The method of claim 26 wherein the tubular implant is positioned in a generally anterior/posterior direction.

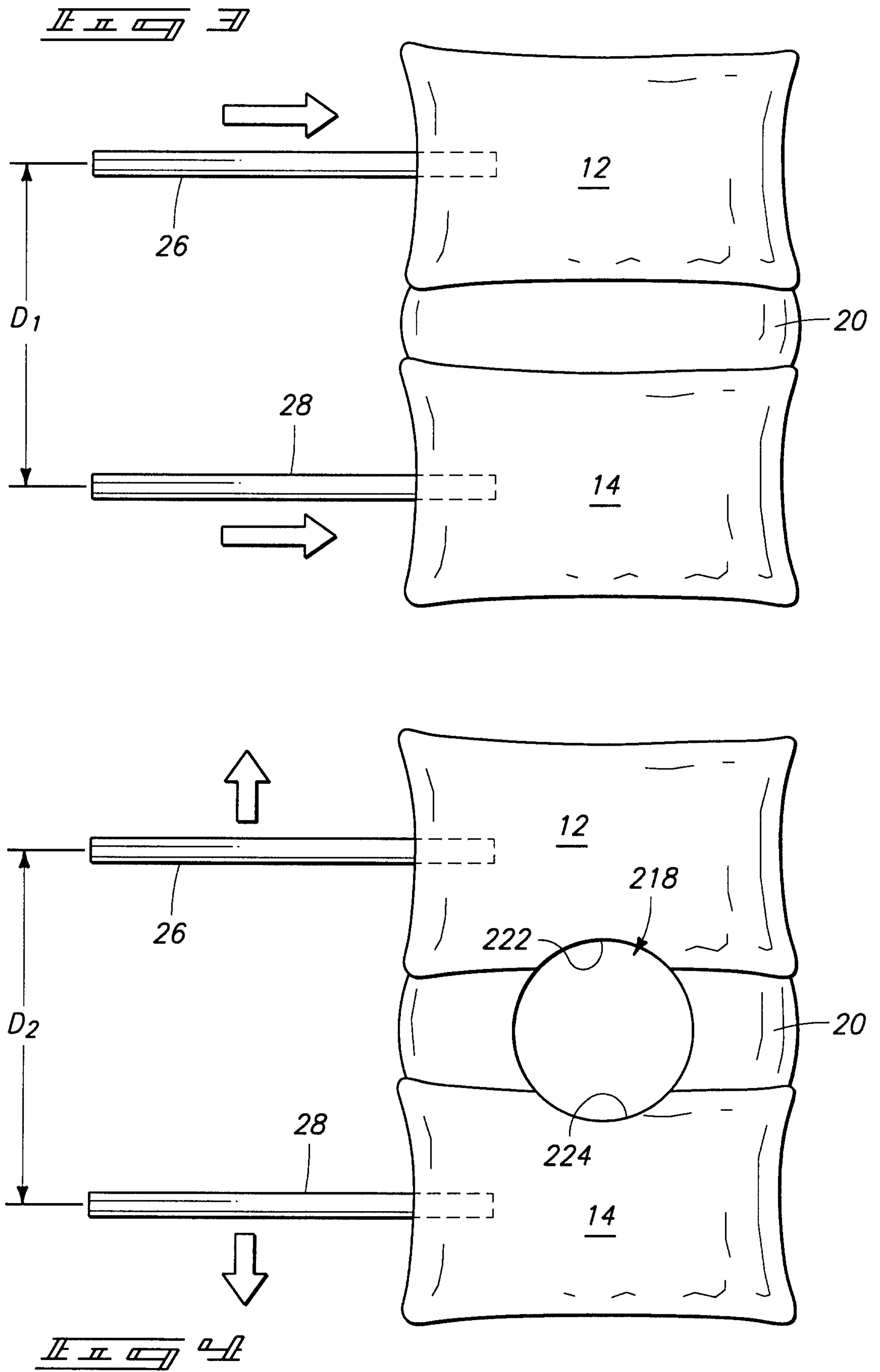
30

28. The method of claim 22 wherein each bone projection comprises intact bone formed integrally from one of the vertebral bodies and configured to enhance osteogenesis.





3/19



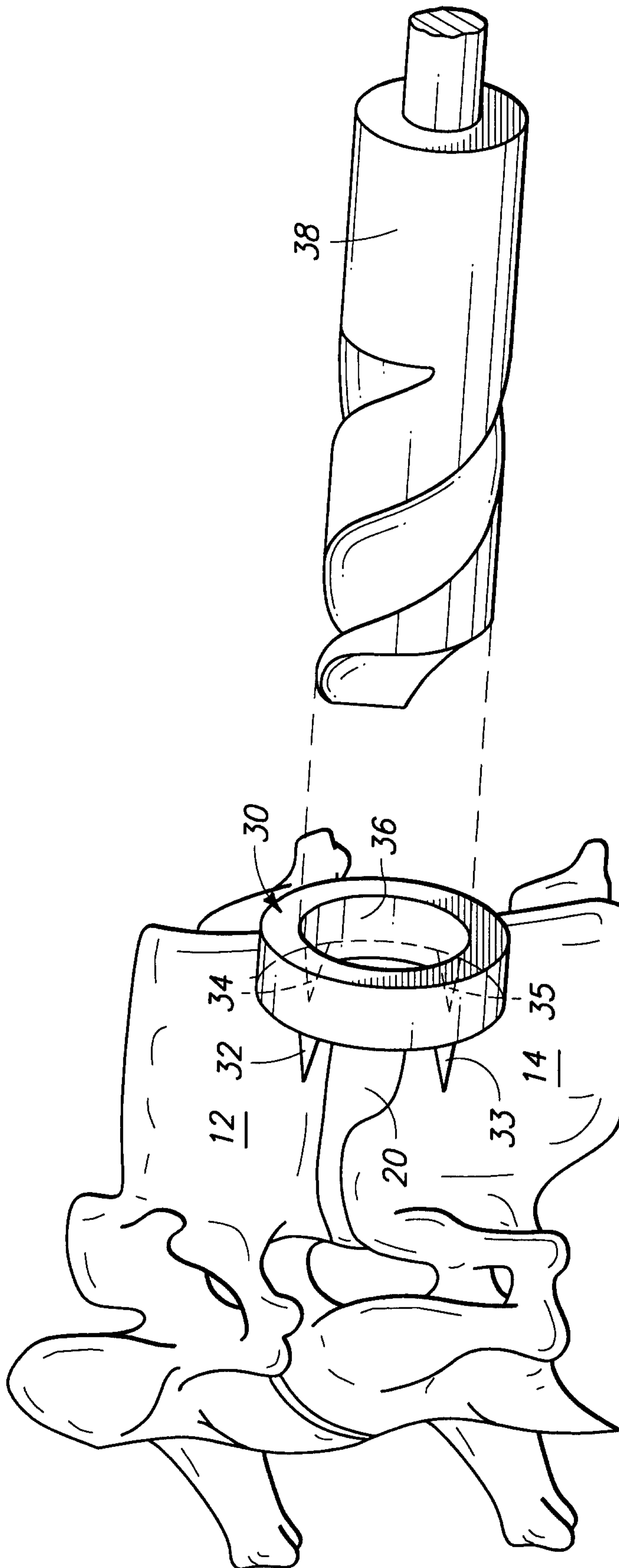
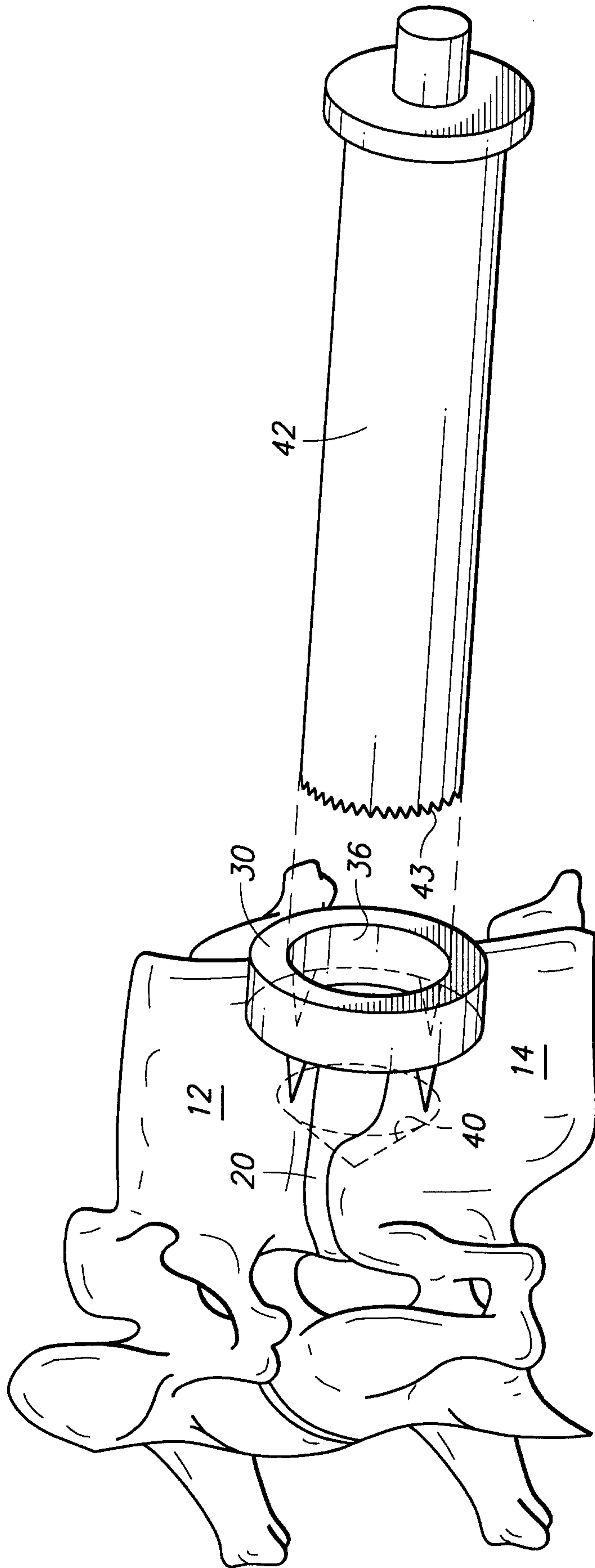


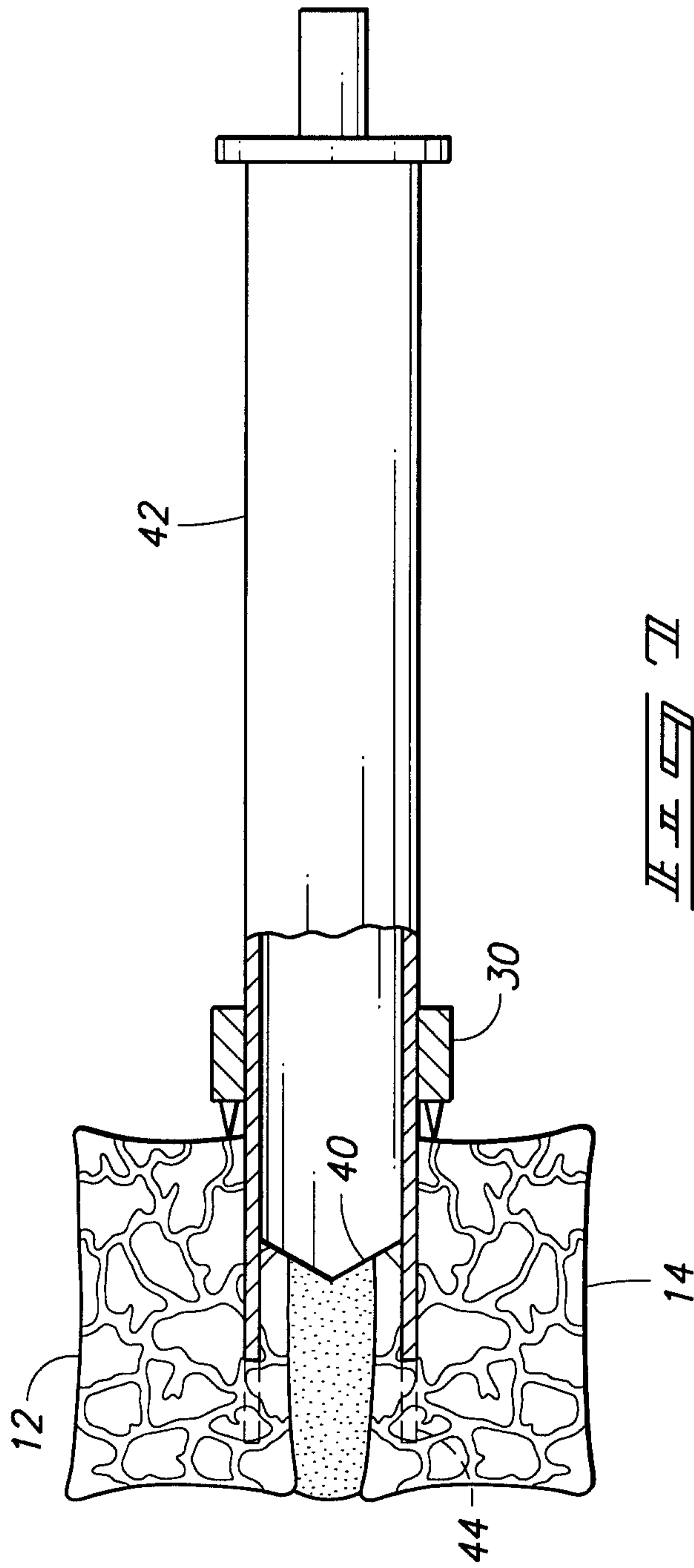
FIG. 5

5/19

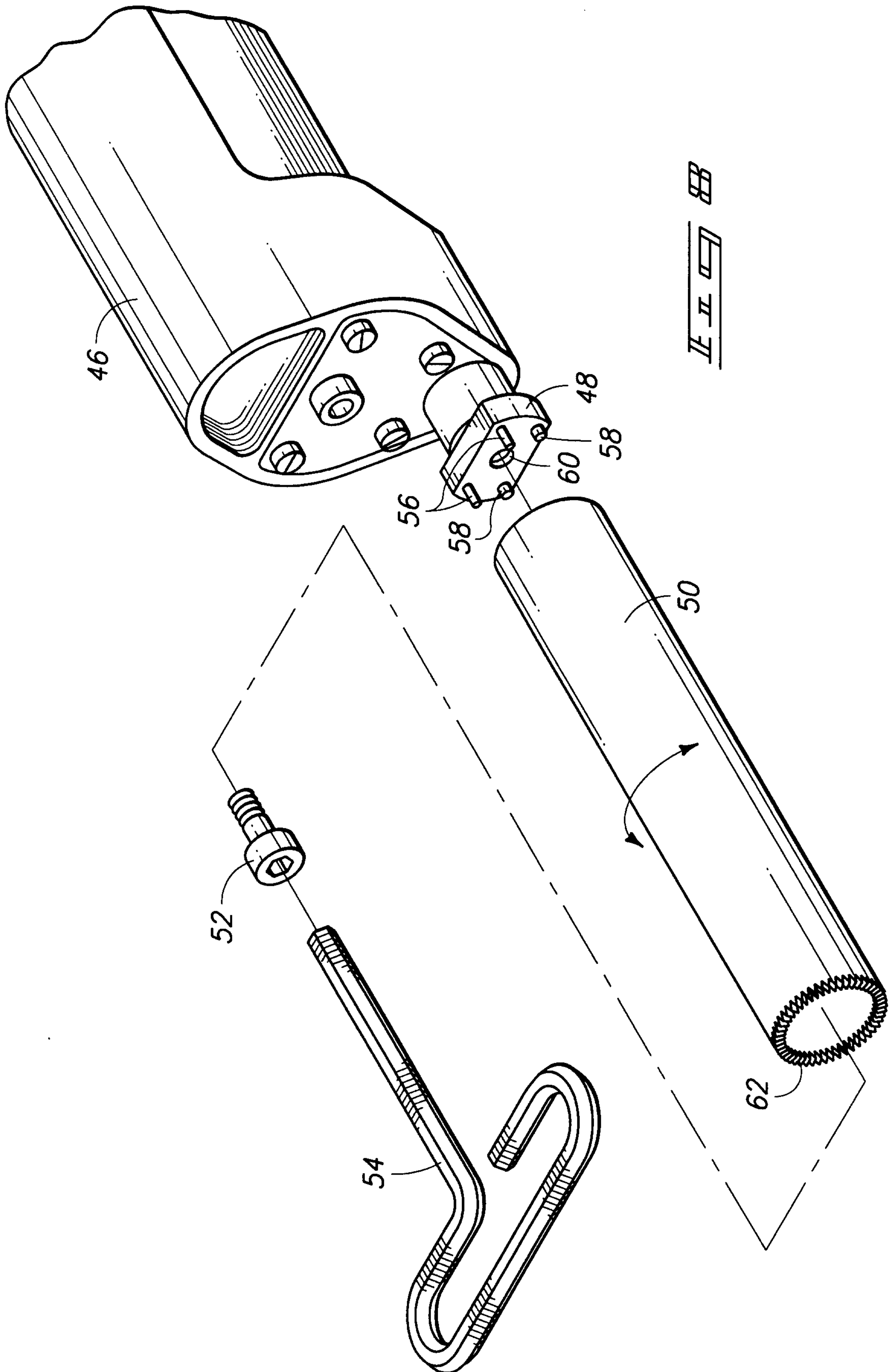


正 正 正 正 正

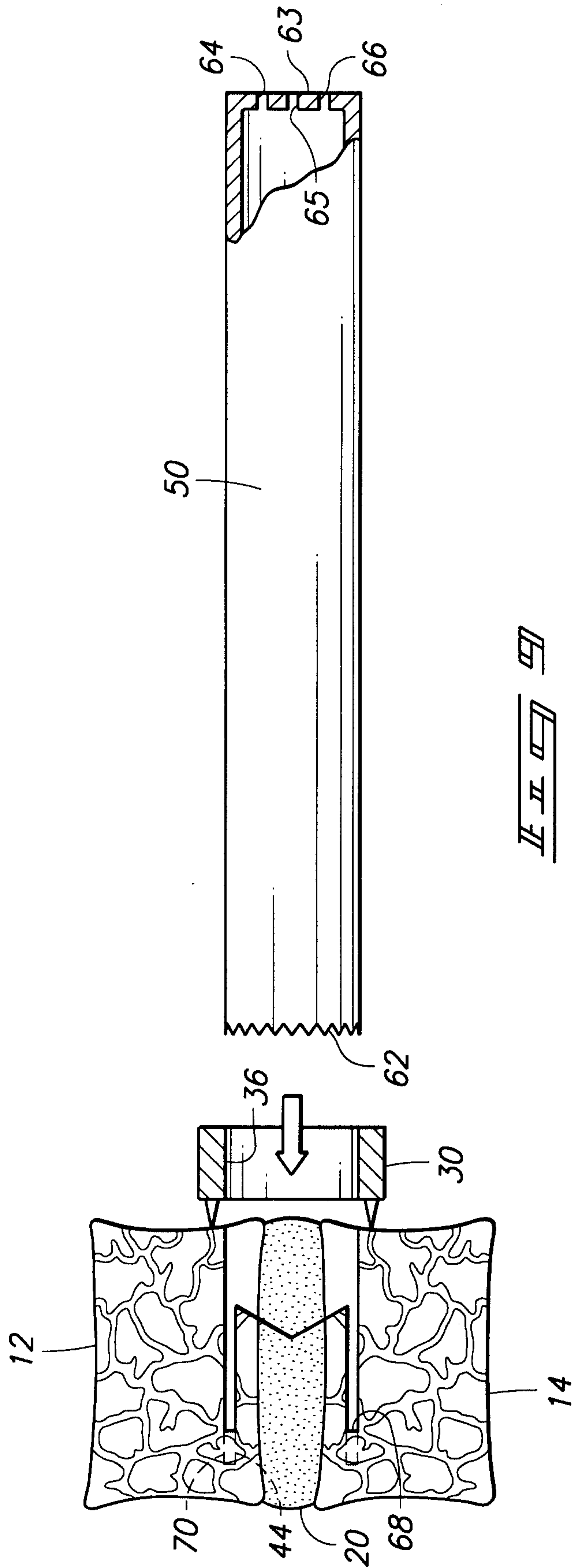
6/19



7/19



8/19



9/19

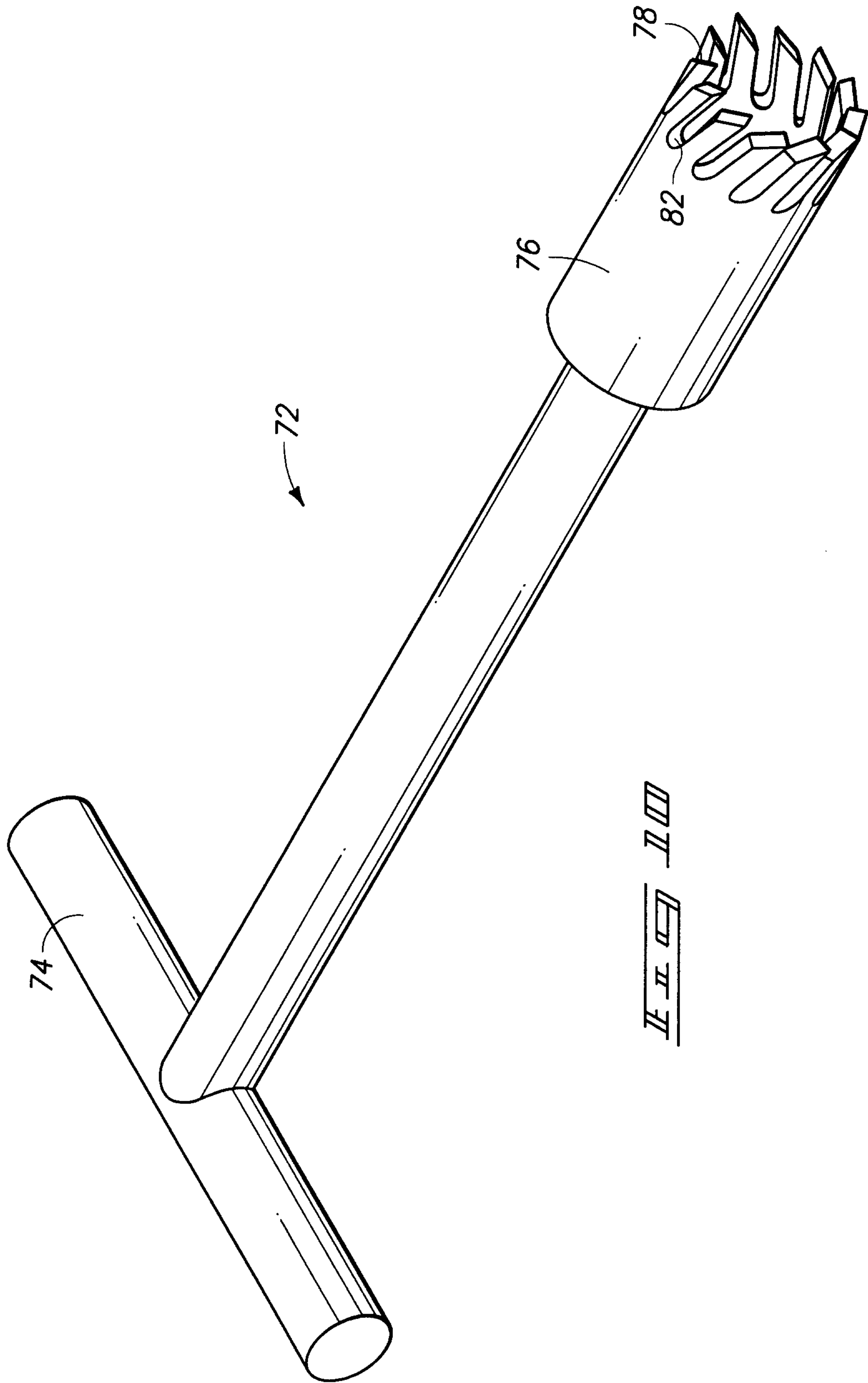
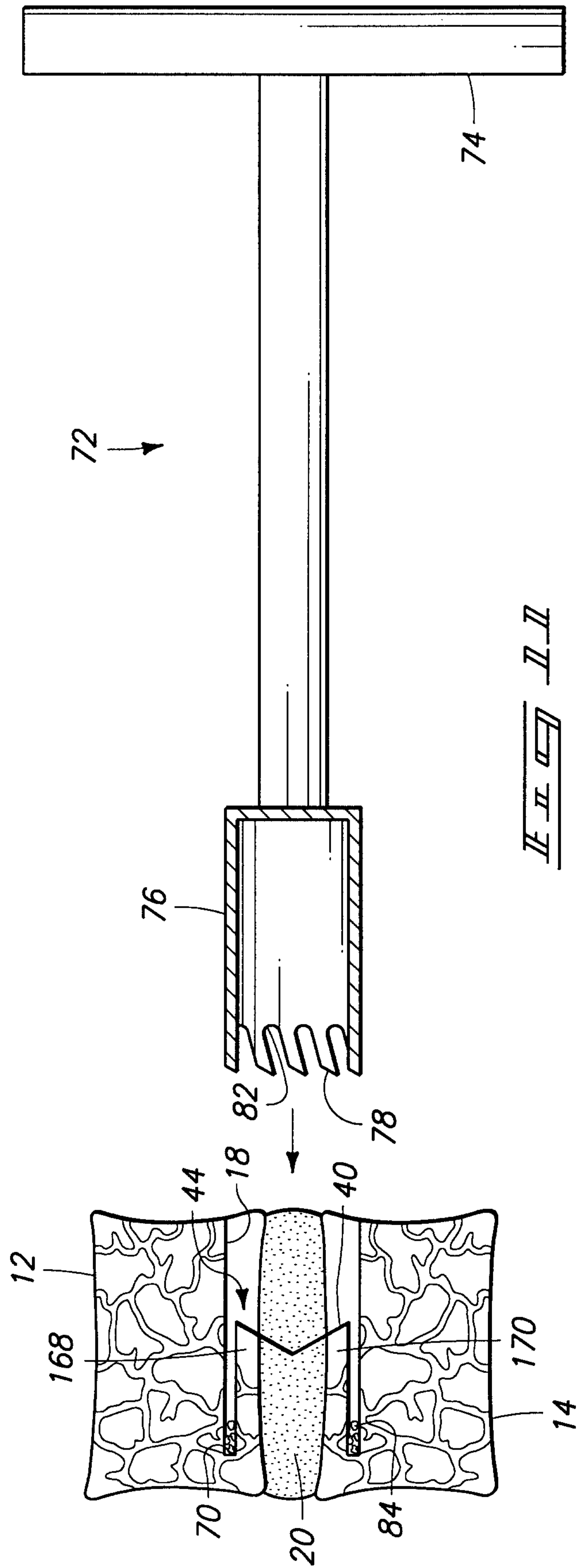
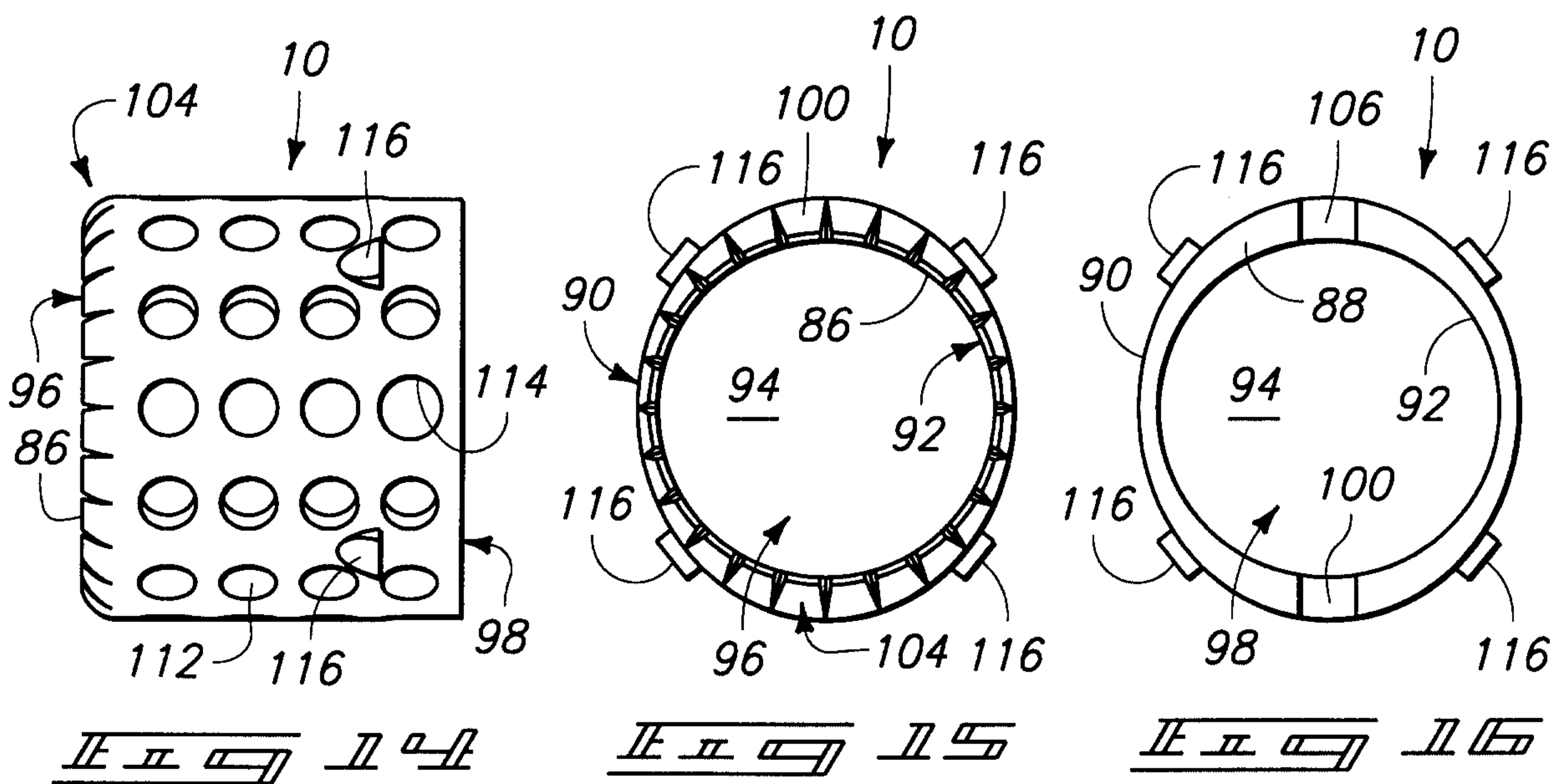
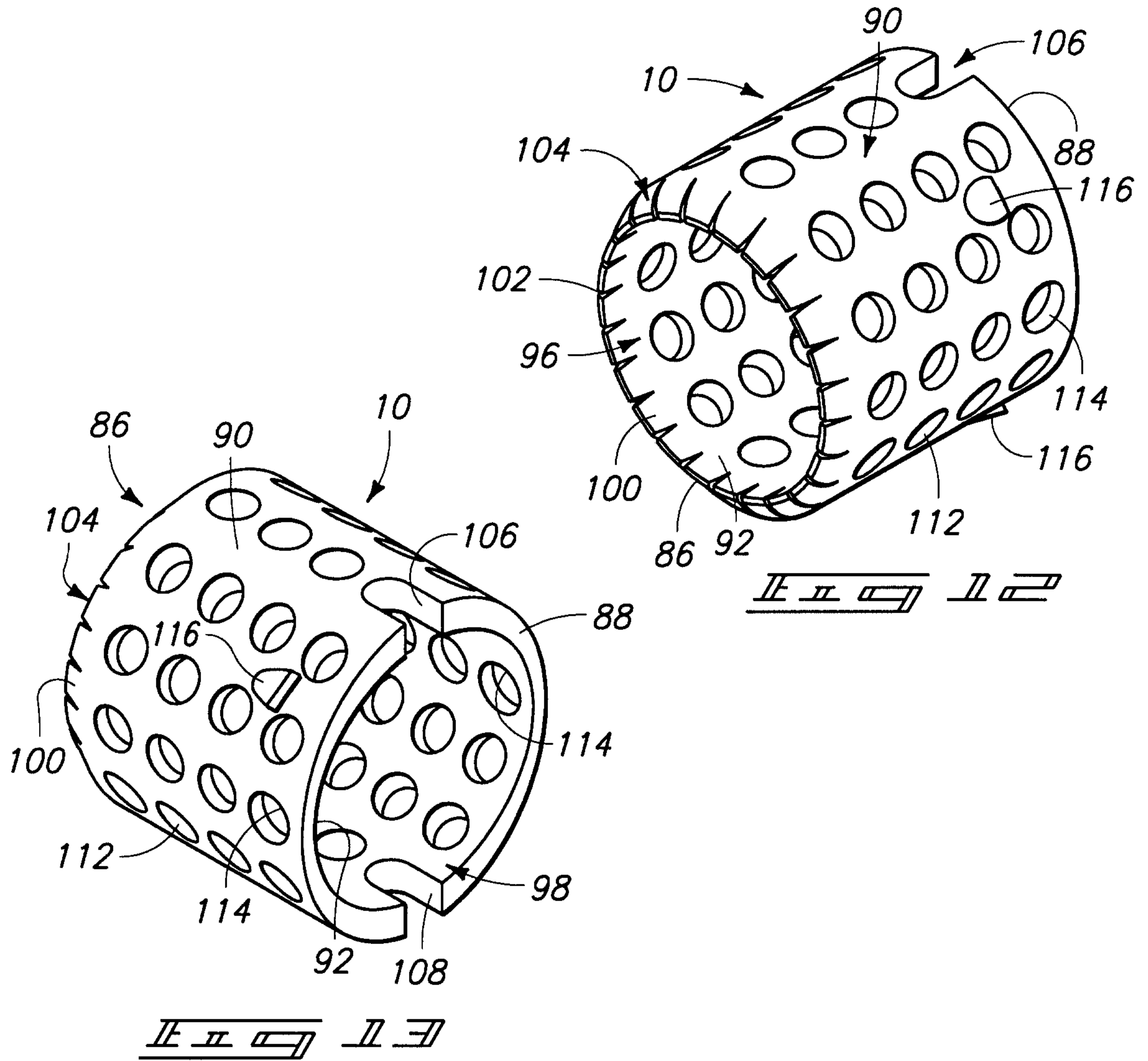


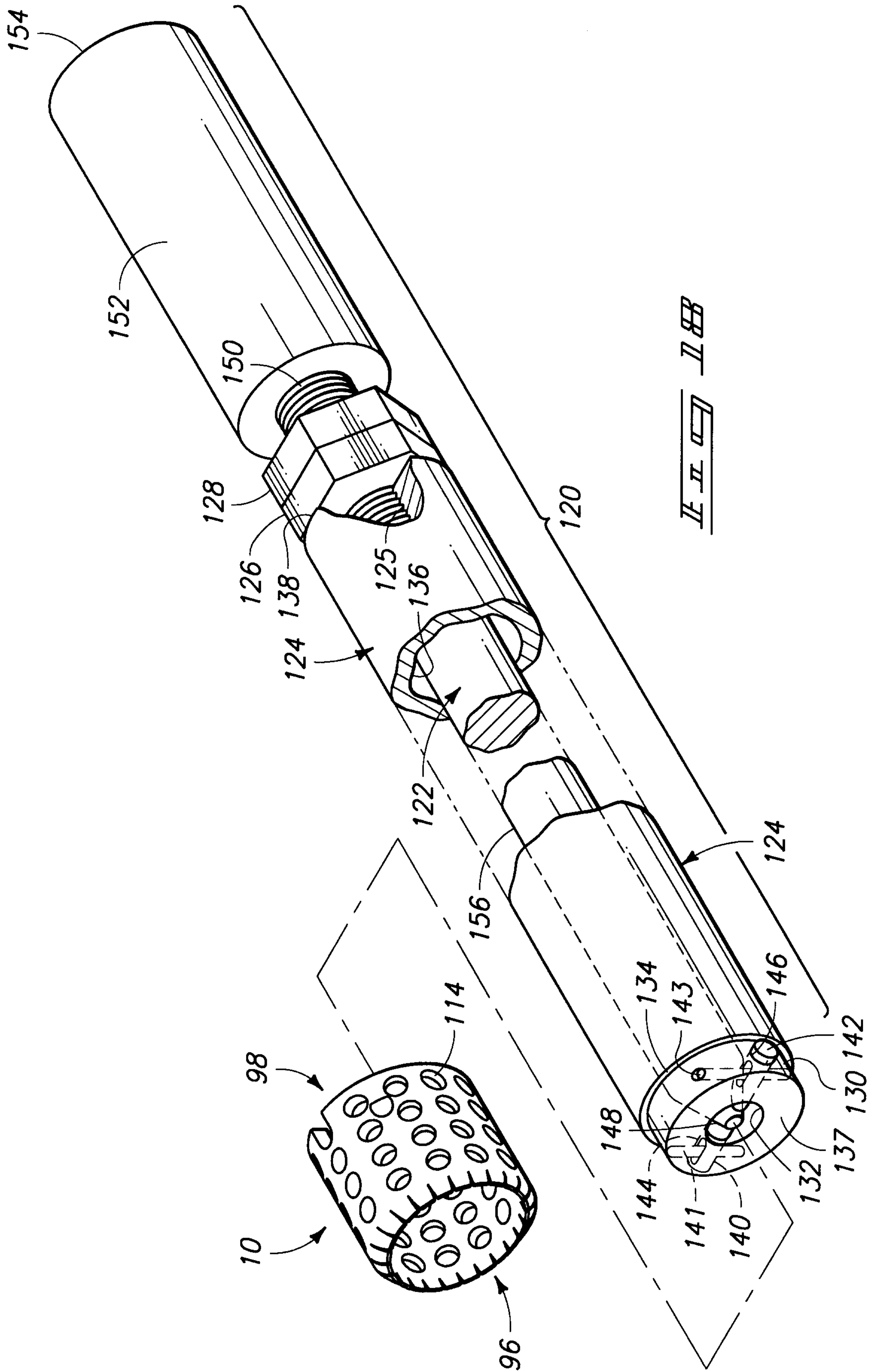
FIG. 1

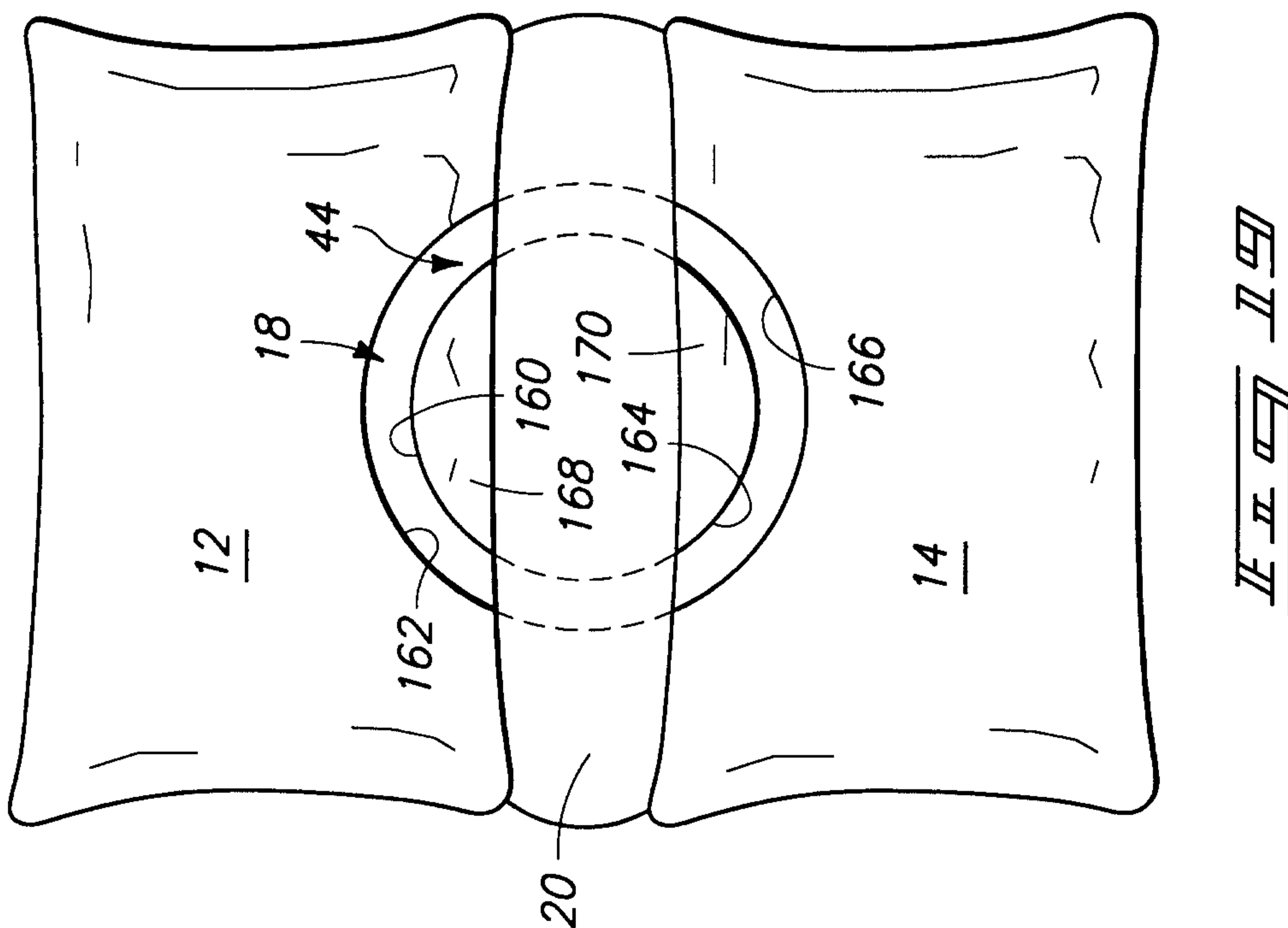
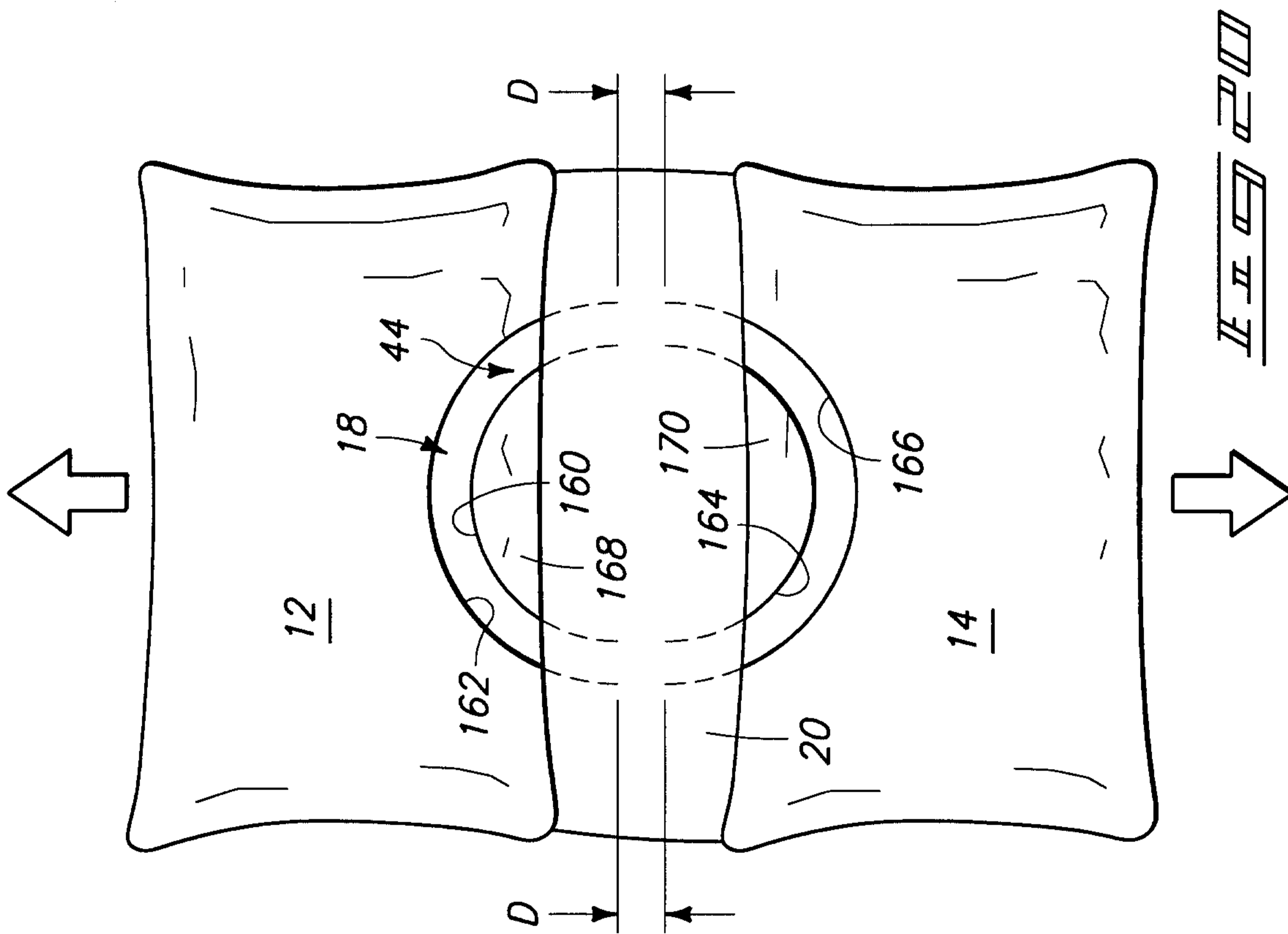
10/19



11/19







15/19

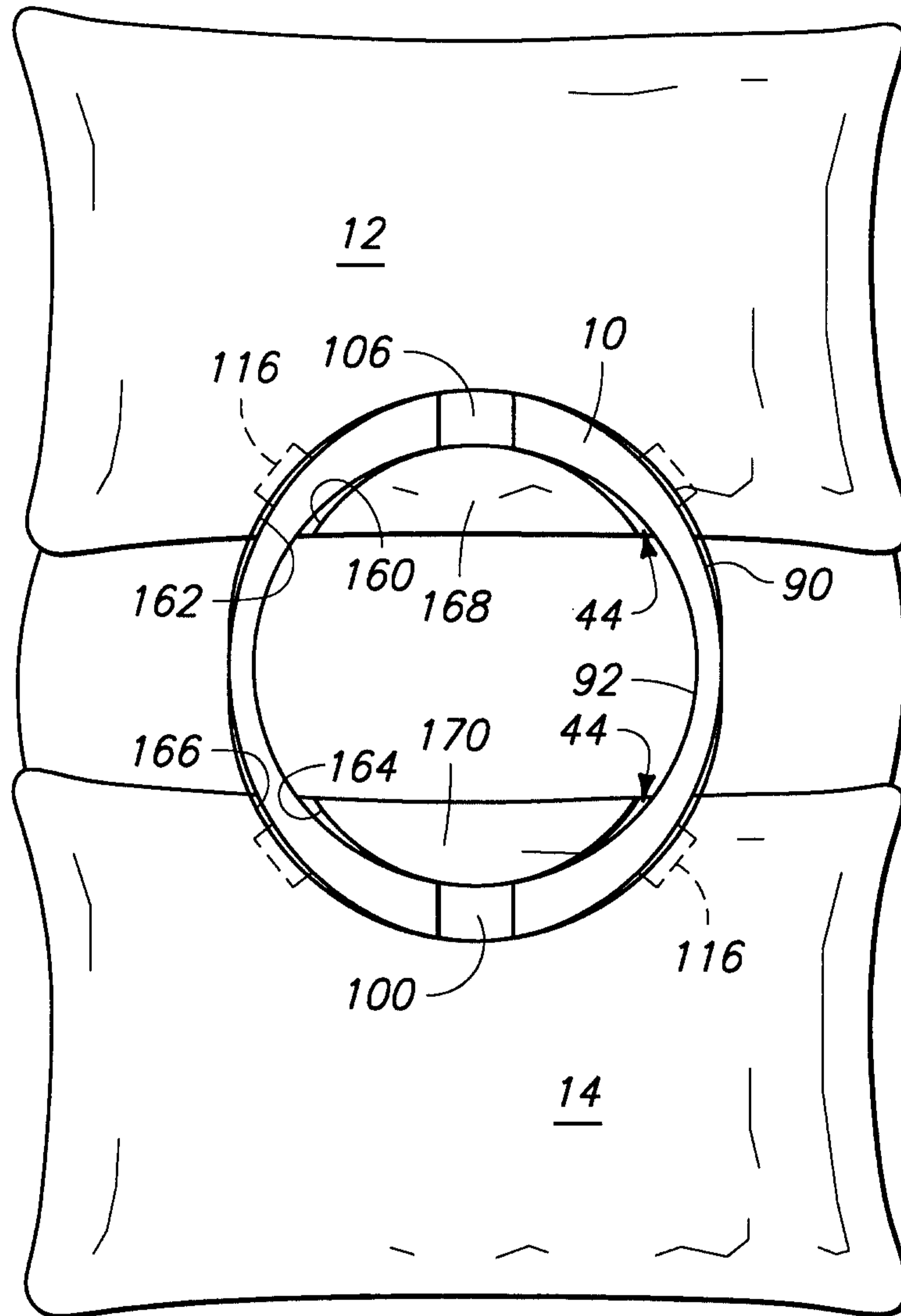


FIG. 15

16/19

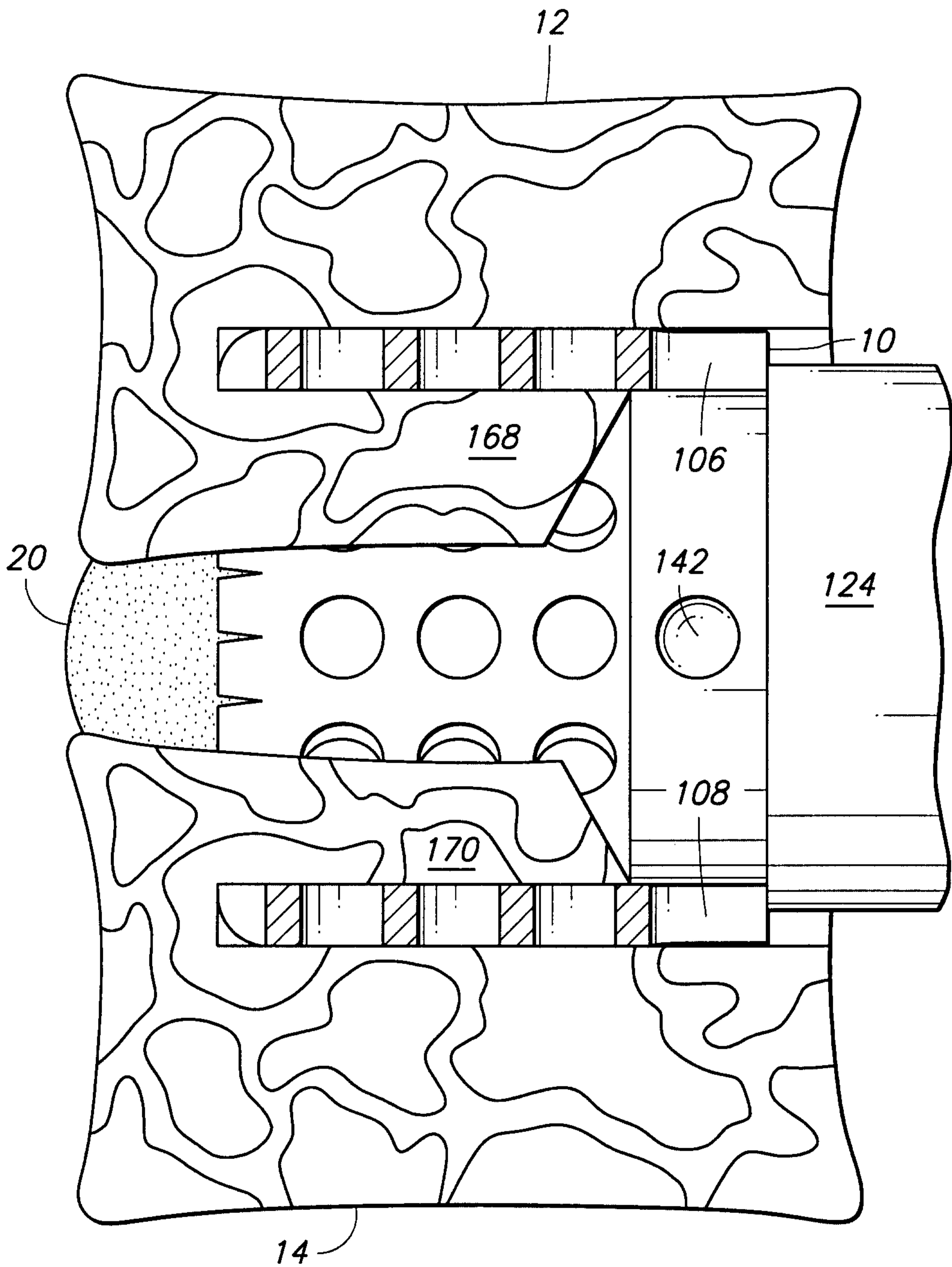
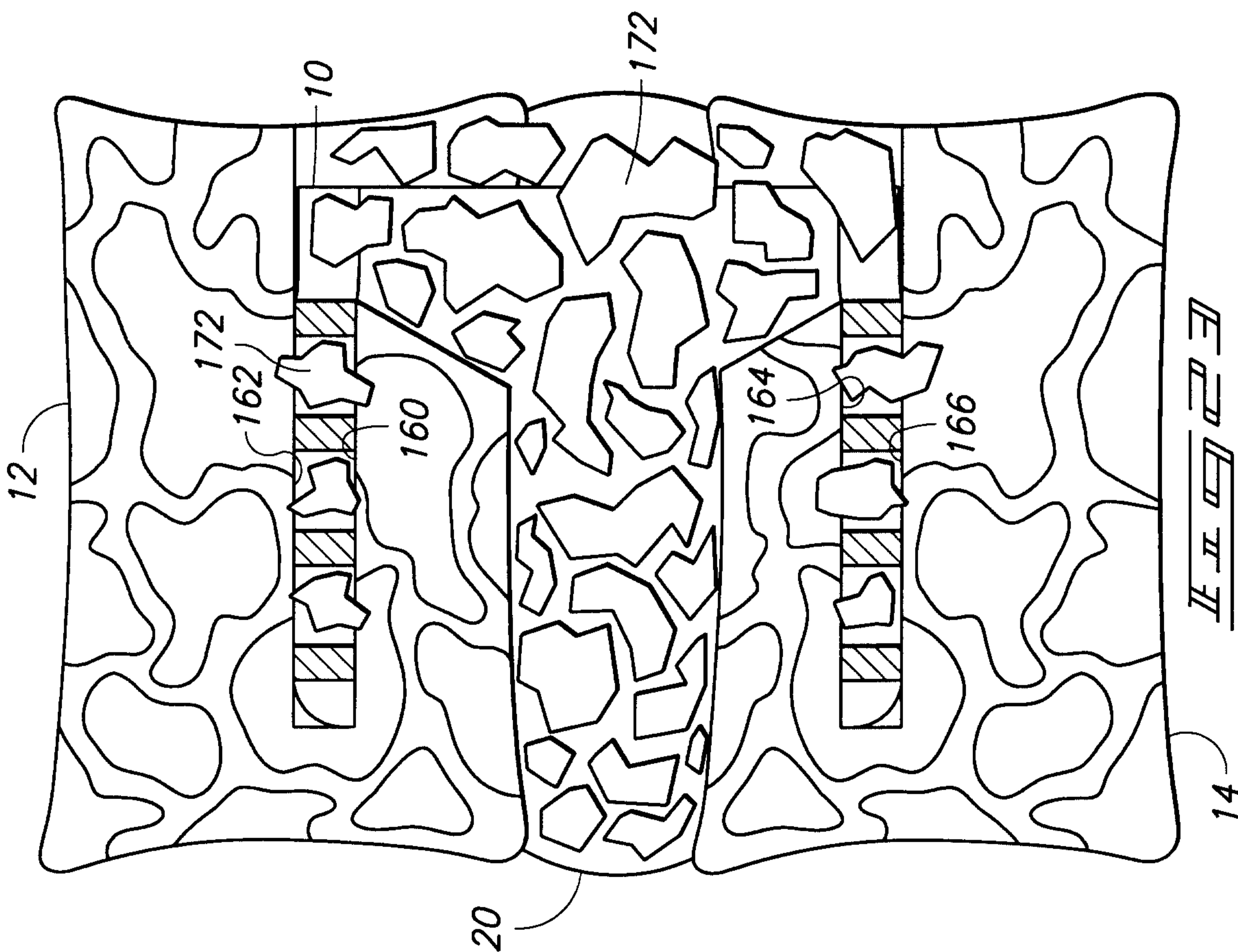
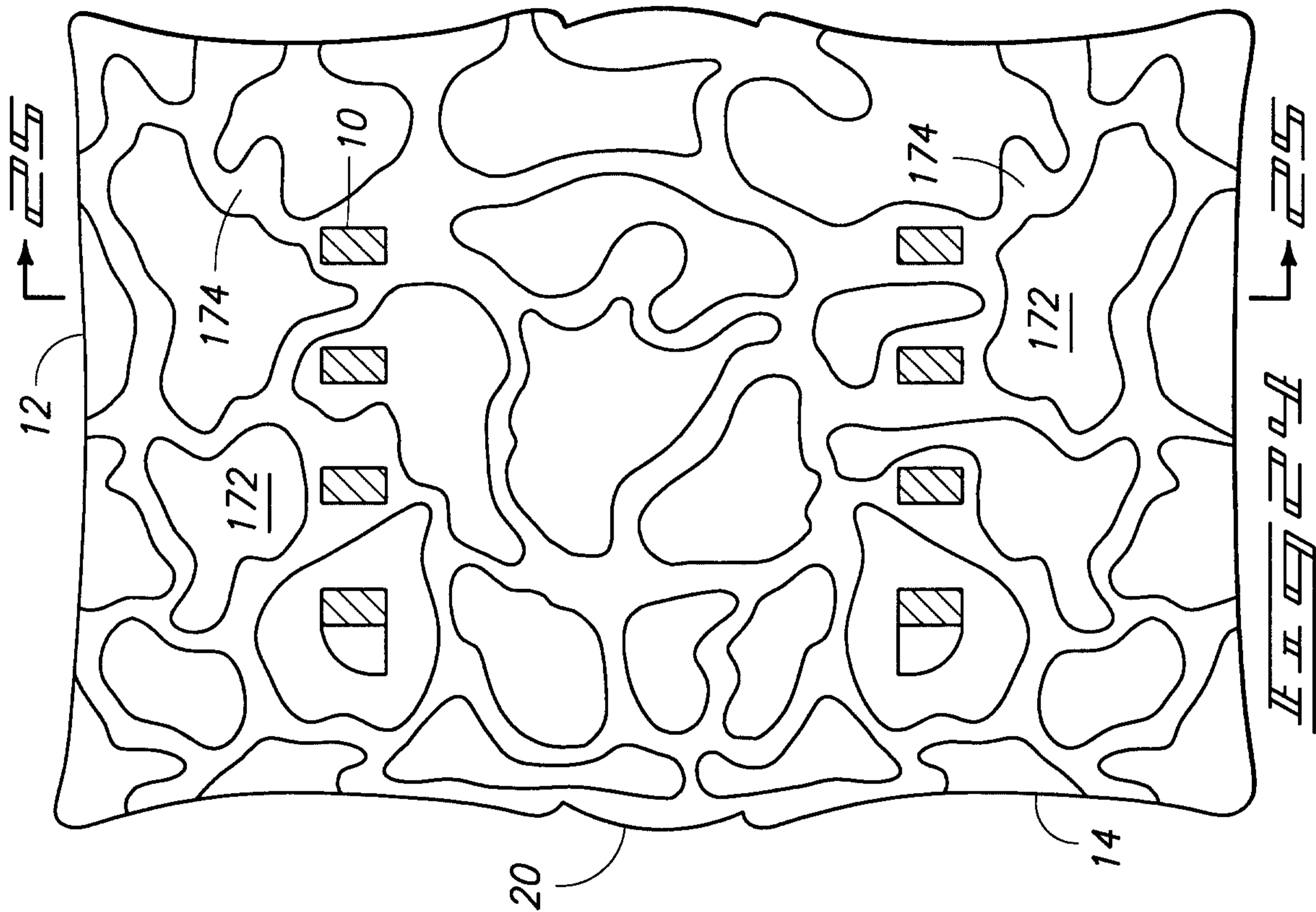


FIG. 16



18/19

