

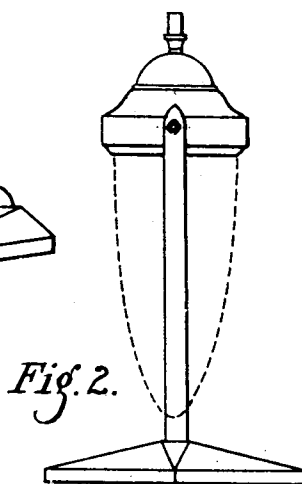
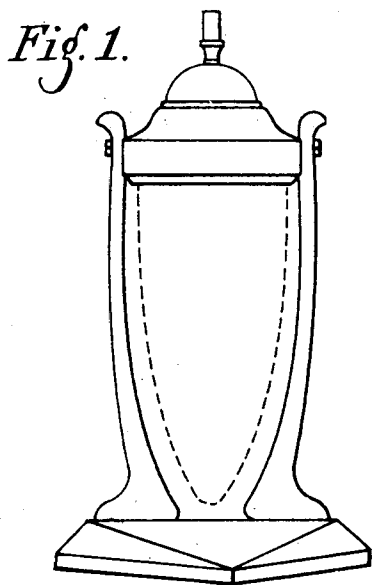
April 16, 1929.

T. A. DE VILBISS

Des. 78,272

NIGHT LAMP

Filed Oct. 10, 1928



Inventor

Thomas A. De Vilbiss

By

Anna T. Anna

Attorney

Patented Apr. 16, 1929.

Des. 78,272

## UNITED STATES PATENT OFFICE.

THOMAS A. DE VILBISS, OF TOLEDO, OHIO, ASSIGNOR TO THE DE VILBISS COMPANY, OF TOLEDO, OHIO, A CORPORATION OF OHIO.

### DESIGN FOR A NIGHT LAMP.

Application filed October 10, 1928. Serial No. 28,441. Term of patent 7 years.

*To all whom it may concern:*

Be it known that I, THOMAS A. DE VILBISS, a citizen of the United States, residing at Toledo, in the county of Lucas and State of Ohio, have invented a new, original, and ornamental Design for a Night Lamp, of which the following is a specification, reference being had to the accompanying drawing, forming a part thereof.

Figure 1 is a side elevation and Figure 2 is a view at right angles to Figure 1 of a night lamp, showing my new design.

I claim:—

The ornamental design for a night lamp, substantially as shown.

THOMAS A. DE VILBISS.