

(19) World Intellectual Property Organization
International Bureau



(43) International Publication Date
15 July 2004 (15.07.2004)

PCT

(10) International Publication Number
WO 2004/058320 A3

- (51) International Patent Classification:
A61M 31/00 (2006.01)
- (21) International Application Number:
PCT/US2003/035414
- (22) International Filing Date: 26 June 2002 (26.06.2002)
- (25) Filing Language: English
- (26) Publication Language: English
- (30) Priority Data:
09/997,855 29 November 2001 (29.11.2001) US
- (63) Related by continuation (CON) or continuation-in-part (CIP) to earlier application:
US 09/997,855 (CON)
Filed on 29 November 2001 (29.11.2001)

(81) Designated States (*national*): AE, AG, AL, AM, AT, AU, AZ, BA, BB, BG, BR, BY, BZ, CA, CH, CN, CO, CR, CU, CZ, DE, DK, DM, DZ, EC, EE, ES, FI, GB, GD, GE, GH, GM, HR, HU, ID, IL, IN, IS, JP, KE, KG, KP, KR, KZ, LC, LK, LR, LS, LT, LU, LV, MA, MD, MG, MK, MN, MW, MX, MZ, NO, NZ, OM, PH, PL, PT, RO, RU, SD, SE, SG, SI, SK, SL, TJ, TM, TN, TR, TT, TZ, UA, UG, US, UZ, VN, YU, ZA, ZM, ZW.

(84) Designated States (*regional*): ARIPO patent (GH, GM, KE, LS, MW, MZ, SD, SL, SZ, TZ, UG, ZM, ZW), Eurasian patent (AM, AZ, BY, KG, KZ, MD, RU, TJ, TM), European patent (AT, BE, CH, CY, DE, DK, ES, FI, FR, GB, GR, IE, IT, LU, MC, NL, PT, SE, TR), OAPI patent (BF, BJ, CF, CG, CI, CM, GA, GN, GQ, GW, ML, MR, NE, SN, TD, TG).

Declaration under Rule 4.17:
— of inventorship (Rule 4.17(iv))

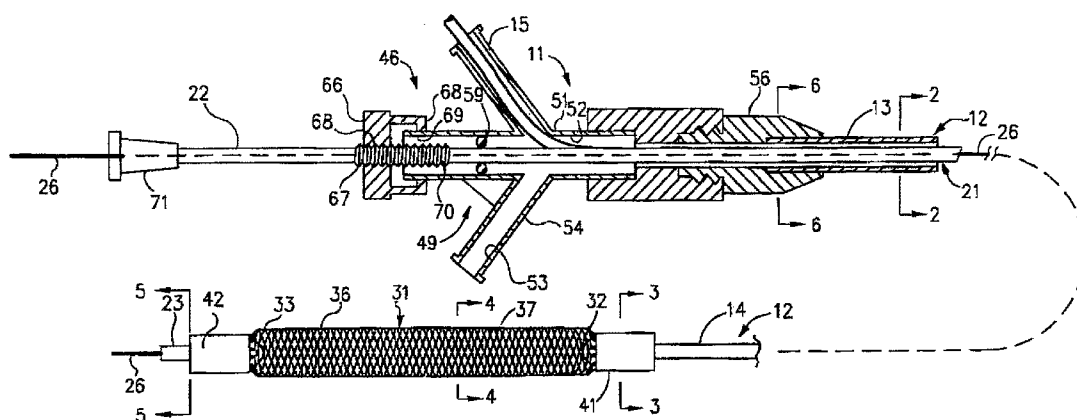
Published:
— with international search report

(88) Date of publication of the international search report:
8 March 2007

- (71) Applicants and
- (72) Inventors: SEGAL, Jerome [—/US]; 6132 Western Avenue, Chevy Chase, MD 20815 (US). SCOTT, Neal [—/US]; 4011 Beechwood Drive, Houston, TX 77059 (US).
- (74) Agent: KLICPERA, Michael; P.O. Box 573, La Jolla, CA 92038-0573 (US).

For two-letter codes and other abbreviations, refer to the "Guidance Notes on Codes and Abbreviations" appearing at the beginning of each regular issue of the PCT Gazette.

(54) Title: MECHANICAL APPARATUS AND METHOD FOR DILATING AND DELIVERING A THERAPEUTIC AGENT TO A SITE OF TREATMENT



(57) Abstract: A mechanical dilatation and medicament delivery device (11) for enlarging a flow passage of a vessel by dilating and delivering a therapeutic agent or medicament (40) to an obstruction in the vessel. The present invention comprises a substantially cylindrically shaped expansion member (31) and includes a means engaged to the expansion member for altering the distance between the proximal end and the distal end of the expansion member thereby transforming the expansion member between a diametrically contracted configuration to diametrically expanded configuration. A therapeutic agent or medicament (40) is coated on either the expansion member (31), or incorporated into a substrate (43) coated on the expansion member.



WO 2004/058320 A3

INTERNATIONAL SEARCH REPORT

International application No.

PCT/US03/35414

A. CLASSIFICATION OF SUBJECT MATTER

IPC : A61M 31/00 (2007.01)
 US CL : 604/103.02

According to International Patent Classification (IPC) or to both national classification and IPC

B. FIELDS SEARCHED

Minimum documentation searched (classification system followed by classification symbols)
 U.S. : Please See Continuation Sheet

Documentation searched other than minimum documentation to the extent that such documents are included in the fields searched

Electronic data base consulted during the international search (name of data base and, where practicable, search terms used)

C. DOCUMENTS CONSIDERED TO BE RELEVANT

Category *	Citation of document, with indication, where appropriate, of the relevant passages	Relevant to claim No.
X ---	US 6,219,577 B1 (Brown, III et al) 17 April 2001 (17.04.2001), see entire document.	1-8,12-18,25-32,34-35,37-38,40,42-43
Y		9-11,19-24,33,36,41
Y	US 5,527,282 A (Segal) 18 June 1996 (18.06.1996), see entire document.	1-38, 40-43

Further documents are listed in the continuation of Box C.

See patent family annex.

* Special categories of cited documents:	
"A" document defining the general state of the art which is not considered to be of particular relevance	"T" later document published after the international filing date or priority date and not in conflict with the application but cited to understand the principle or theory underlying the invention
"B" earlier application or patent published on or after the international filing date	"X" document of particular relevance; the claimed invention cannot be considered novel or cannot be considered to involve an inventive step when the document is taken alone
"L" document which may throw doubts on priority claim(s) or which is cited to establish the publication date of another citation or other special reason (as specified)	"Y" document of particular relevance; the claimed invention cannot be considered to involve an inventive step when the document is combined with one or more other such documents, such combination being obvious to a person skilled in the art
"O" document referring to an oral disclosure, use, exhibition or other means	"&" document member of the same patent family
"P" document published prior to the international filing date but later than the priority date claimed	

Date of the actual completion of the international search

01 December 2006 (01.12.2006)

Date of mailing of the international search report

18 DEC 2006

Name and mailing address of the ISA/US

Mail Stop PCT, Attn: ISA/US
 Commissioner for Patents
 P.O. Box 1450
 Alexandria, Virginia 22313-1450

Facsimile No. (703) 305-3230

Authorized officer

Catherine S. Williams *A. Hurley for*
 Telephone No. 571-272-4970

INTERNATIONAL SEARCH REPORT

PCT/US03/35414

Continuation of B. FIELDS SEARCHED Item 1:

604/96.01; 604/101.01 ; 604/101.05 ; 604/104 ; 604/530-532; 604/509 ; 604/103.01 ; 604/103.02 ; 604/103.05 ; 604/103.06; 604/103.07 ;
606/108 ; 606/191-198 ; 623/1 ; 623/12