



US00D854632S

(12) **United States Design Patent**  
**Starling**

(10) **Patent No.:** **US D854,632 S**

(45) **Date of Patent:** **\*\* Jul. 23, 2019**

(54) **FIGURINE ACCESSORY**

(71) Applicant: **Laser Pegs IP Holdings Corp.**,  
Sarasota, FL (US)

(72) Inventor: **Mark Andrew Starling**, Sarasota, FL  
(US)

(73) Assignee: **LASER PEGS IP HOLDINGS  
CORP.**, Sarasota, FL (US)

(\*\*) Term: **15 Years**

(21) Appl. No.: **29/626,899**

(22) Filed: **Nov. 21, 2017**

(51) **LOC (11) Cl.** ..... **21-01**

(52) **U.S. Cl.**  
USPC ..... **D21/658**

(58) **Field of Classification Search**  
USPC ..... D11/160; D21/576, 578, 585, 621–623,  
D21/631, 634, 636–637, 658–661  
CPC ..... A63H 3/16; A63H 3/00  
See application file for complete search history.

(56) **References Cited**

**U.S. PATENT DOCUMENTS**

4,205,482	A *	6/1980	Christiansen	.....	A63H 3/16 446/118
D293,344	S *	12/1987	Shiraishi	.....	D21/578
D317,796	S *	6/1991	Laursen	.....	D21/621
D352,078	S *	11/1994	Bertrand	.....	D21/621
D366,076	S *	1/1996	Pedersen	.....	D21/621
D371,174	S *	6/1996	Tsai	.....	D21/578
D688,332	S *	8/2013	Stosiak	.....	D21/621
9,022,832	B1 *	5/2015	Skrripps	.....	A63H 3/48 446/330
D738,966	S *	9/2015	Chen	.....	D21/621

9,205,344	B2 *	12/2015	Botterill	.....	A63H 33/04
D760,329	S *	6/2016	Croston	.....	D21/621
D794,139	S *	8/2017	Barbiani	.....	D21/645
D829,127	S *	9/2018	Beauregard	.....	D11/160
D831,130	S *	10/2018	Davis	.....	D21/621

**OTHER PUBLICATIONS**

Triceratops Charge: Published 2018 [online], site visited Nov. 30, 2018. Available from Internet URL:<https://laserpegs.com/product/triceratops-charge-18403/>\*

\* cited by examiner

*Primary Examiner* — Garth Rademaker

*Assistant Examiner* — Melvin L Davis

(74) *Attorney, Agent, or Firm* — Allen Dyer Doppelt & Gilchrist

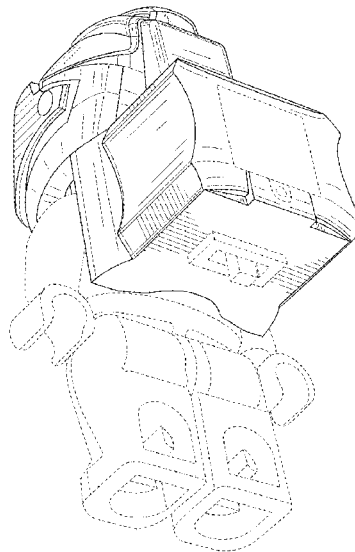
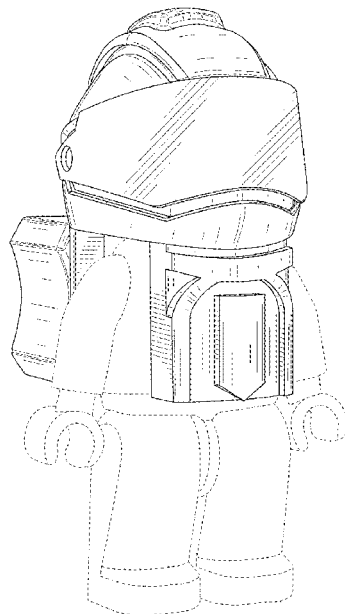
(57) **CLAIM**

The ornamental design for a figurine accessory, as shown and described.

**DESCRIPTION**

FIG. 1 is a front, right, top perspective view of a figurine accessory;  
FIG. 2 is a rear, left, bottom perspective view of the design;  
FIG. 3 is a front view of the design;  
FIG. 4 is a rear view of the design;  
FIG. 5 is a right side view of the design, the left side view being a mirror image thereof;  
FIG. 6 is a top view of the design; and,  
FIG. 7 is a bottom view of the design.  
The broken lines illustrating a figurine depict environmental subject matter that forms no part of the claimed design. All other broken lines illustrate portions of the article that form no part of the claimed design.

**1 Claim, 7 Drawing Sheets**



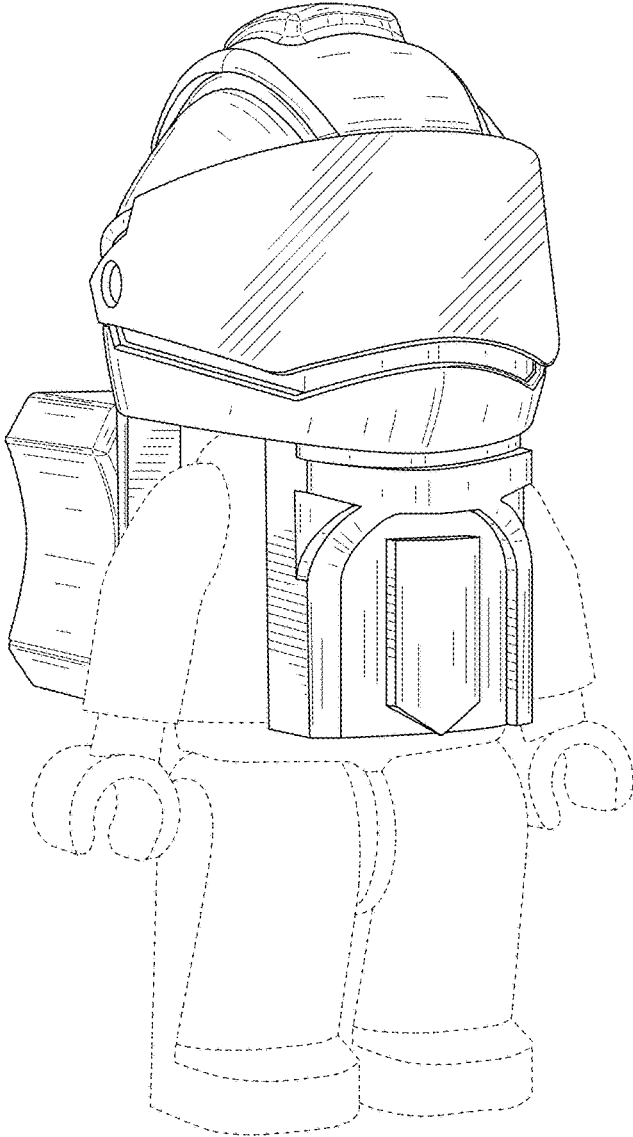


FIG. 1

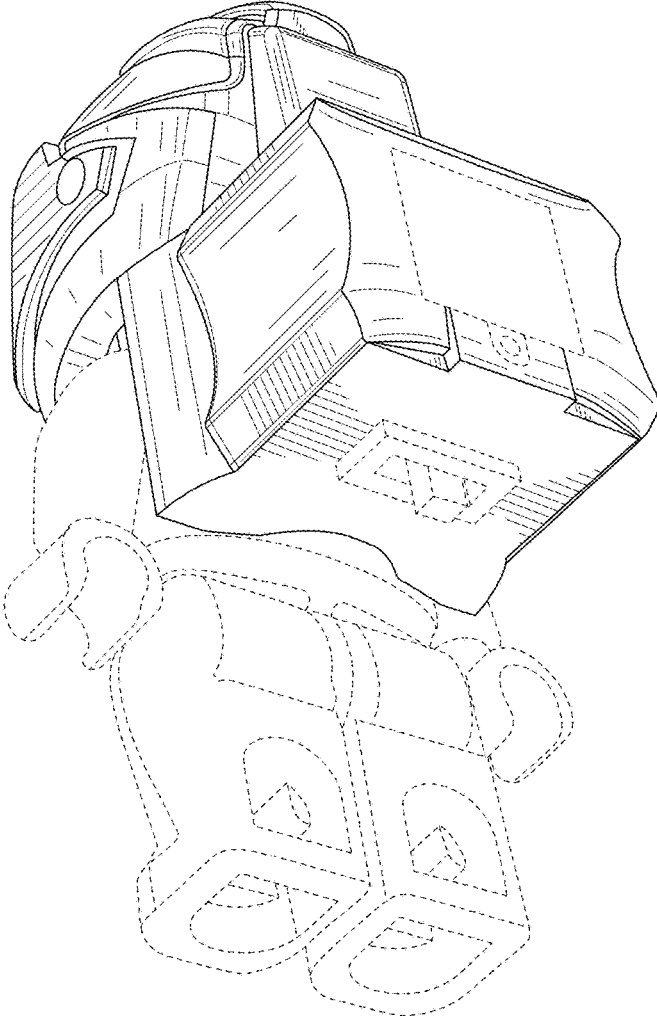


FIG. 2

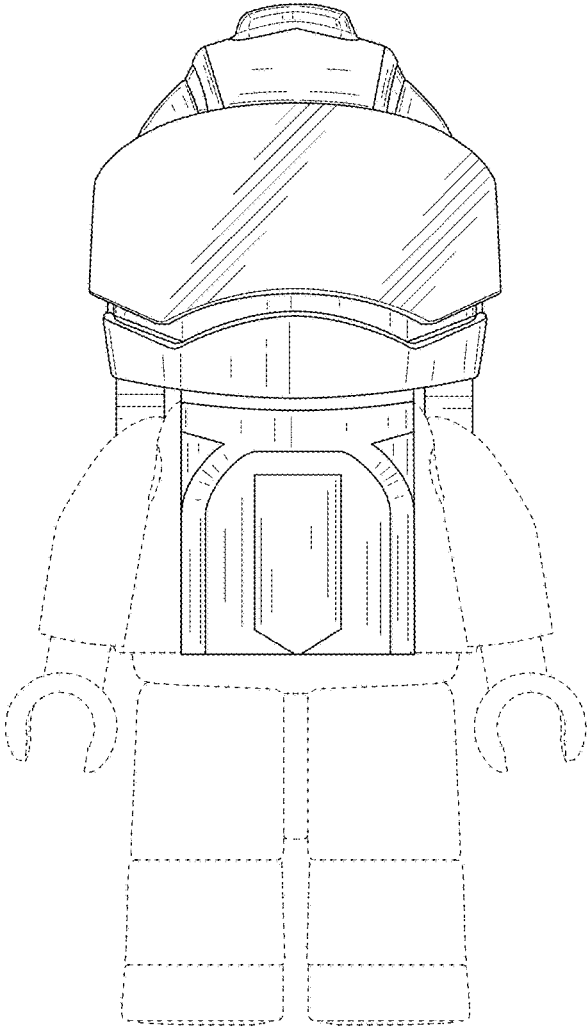


FIG. 3

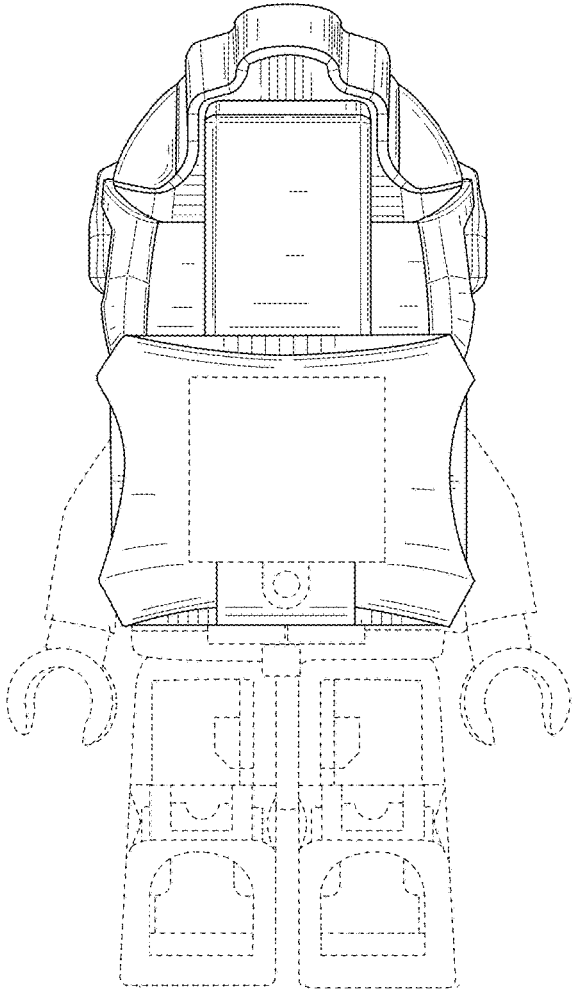


FIG. 4

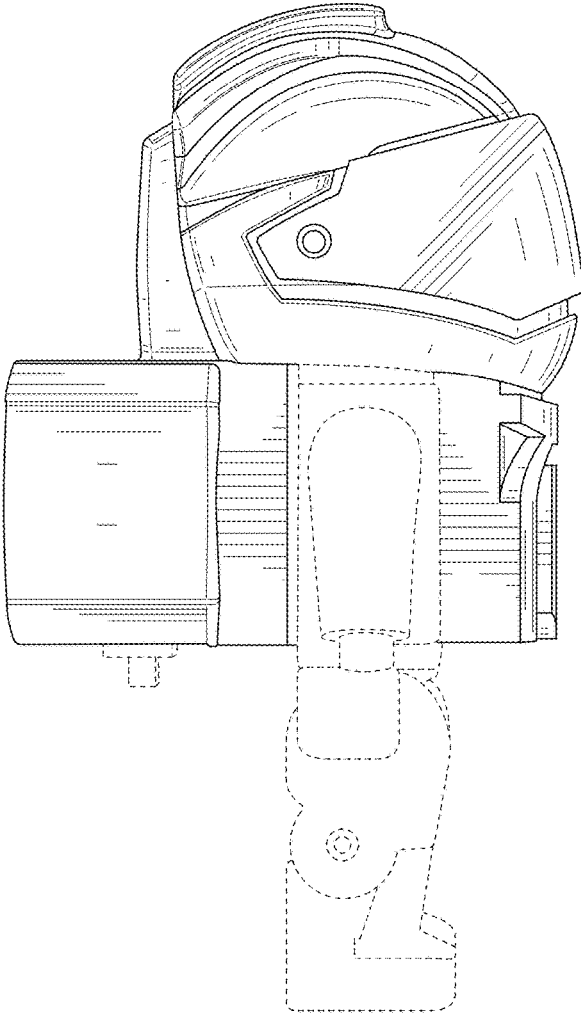


FIG. 5

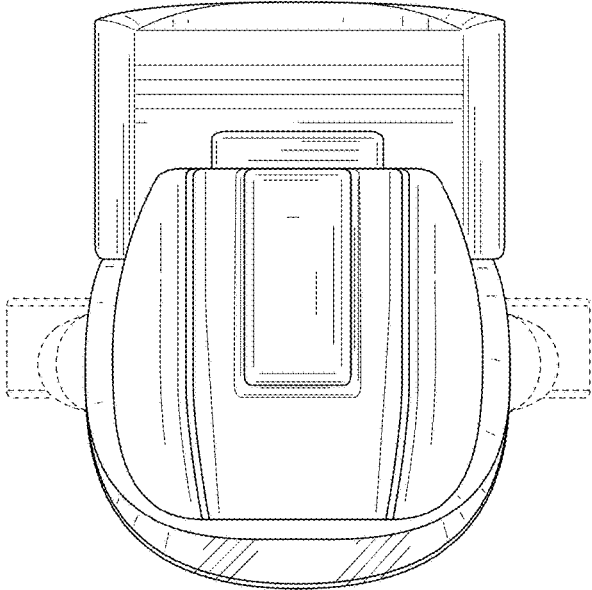


FIG. 6

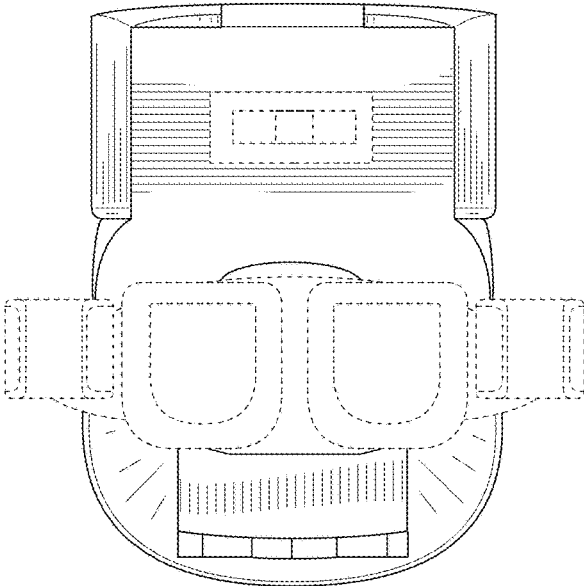


FIG. 7