



US00D801386S

(12) **United States Design Patent** (10) **Patent No.:** **US D801,386 S**  
**Xu** (45) **Date of Patent:** **\*\* Oct. 31, 2017**

(54) **DISPLAY SCREEN OR PORTION THEREOF WITH ANIMATED GRAPHICAL USER INTERFACE**

(57) **CLAIM**  
The ornamental design for a display screen or portion thereof with animated graphical user interface, as shown and described.

(71) Applicant: **ZTE Corporation**, Shenzhen, Guangdong (CN)

**DESCRIPTION**

(72) Inventor: **Yuanyuan Xu**, Shenzhen (CN)

FIG. 1 is a front view of the first image in the sequence of my new design for a display screen or portion thereof with animated graphical user interface.  
FIG. 2 is the second image thereof.  
FIG. 3 is the third image thereof.  
FIG. 4 is the fourth image thereof.  
FIG. 5 is the fifth image thereof.  
FIG. 6 is the sixth image thereof.  
FIG. 7 is the seventh image thereof.  
FIG. 8 is the eighth image thereof.  
FIG. 9 is the ninth image thereof.  
FIG. 10 is the tenth image thereof.  
FIG. 11 is the eleventh image thereof.

(73) Assignee: **XI'AN ZHONGXING NEW SOFTWARE CO.LTD.**, Xi'An (CN)

(\*\*) Term: **15 Years**

(21) Appl. No.: **29/594,591**

(22) Filed: **Feb. 21, 2017**

FIG. 12 is a front view of the first image in the sequence of a second embodiment of my new design for a display screen or portion thereof with animated graphical user interface.  
FIG. 13 is the second image thereof.  
FIG. 14 is the third image thereof.  
FIG. 15 is the fourth image thereof.  
FIG. 16 is the fifth image thereof.  
FIG. 17 is the sixth image thereof.  
FIG. 18 is the seventh image thereof.  
FIG. 19 is the eighth image thereof.  
FIG. 20 is the ninth image thereof; and,  
FIG. 21 is the tenth image thereof.

**Related U.S. Application Data**

(62) Division of application No. 29/479,062, filed on Jan. 10, 2014, now Pat. No. Des. 783,673.

(51) **LOC (10) Cl.** ..... **14-04**

(52) **U.S. Cl.**  
USPC ..... **D14/489**

(58) **Field of Classification Search**  
USPC ..... D14/485-495

(Continued)

The appearance of the animated user interface sequentially transitions between the images shown in FIGS. 1-11 and FIGS. 12-21. The process or period between which one image transitions to another forms no part of the claimed design.

(56) **References Cited**

**U.S. PATENT DOCUMENTS**

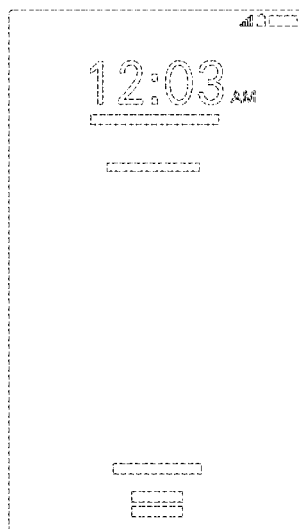
D624,926 S 10/2010 Allen  
D625,319 S 10/2010 Allen

(Continued)

The broken line showing the display screen or portion thereof and forms no part of the claimed design. The broken lines showing portions of the animated graphical user interface form no part of the claimed design.

*Primary Examiner* — Melanie H Tung  
*Assistant Examiner* — Bao-Yen Nguyen  
(74) *Attorney, Agent, or Firm* — Oppedahl Patent Law Firm LLC

**1 Claim, 6 Drawing Sheets**



(58) **Field of Classification Search**

CPC .... G06F 3/048; G06F 3/0481; G06F 3/04812;  
 G06F 3/04815; G06F 3/04817; G06F  
 3/0482; G06F 3/0483; G06F 3/0484;  
 G06F 3/04842; G06F 3/04845; G06F  
 3/04847; G06F 3/0485; G06F 3/04855;  
 G06F 3/0486; G06F 3/0487; G06F  
 3/0488; G06F 3/04883; G06F 3/04886;  
 H04N 1/00424

See application file for complete search history.

D690,718 S	10/2013	Thomsen et al.	
D716,320 S	10/2014	Fan et al.	
D716,321 S	10/2014	Fan et al.	
D722,072 S	2/2015	Sloo et al.	
D726,219 S	4/2015	Chaudhri et al.	
D737,288 S	8/2015	Oda et al.	
D738,389 S	9/2015	Drozd et al.	
D738,909 S	9/2015	Herold et al.	
D740,300 S	10/2015	Lee et al.	
D740,301 S	10/2015	Soegiono et al.	
D741,898 S	10/2015	Soegiono et al.	
D742,910 S	11/2015	Drozd et al.	
D744,535 S	12/2015	Shin et al.	
D750,650 S	3/2016	Lee et al.	
D763,908 S *	8/2016	Drozd .....	D14/485
D783,673 S *	4/2017	Xu .....	D14/489
D783,674 S *	4/2017	Yang .....	D14/489
2013/0227450 A1 *	8/2013	Na .....	G06F 3/048 715/764
2014/0380219 A1	12/2014	Cartan	

(56)

**References Cited**

U.S. PATENT DOCUMENTS

D630,643 S	1/2011	Wilson
D644,661 S	9/2011	Gardner
D645,470 S	9/2011	Matas
D676,060 S	2/2013	Frost
D677,271 S	3/2013	Phelan

\* cited by examiner

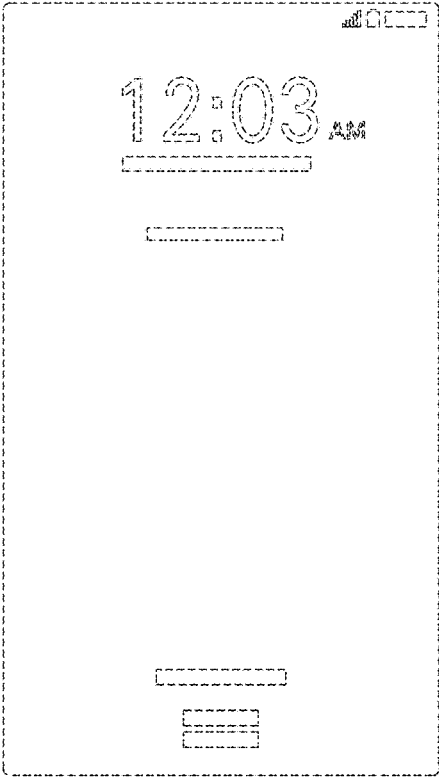


FIG.1

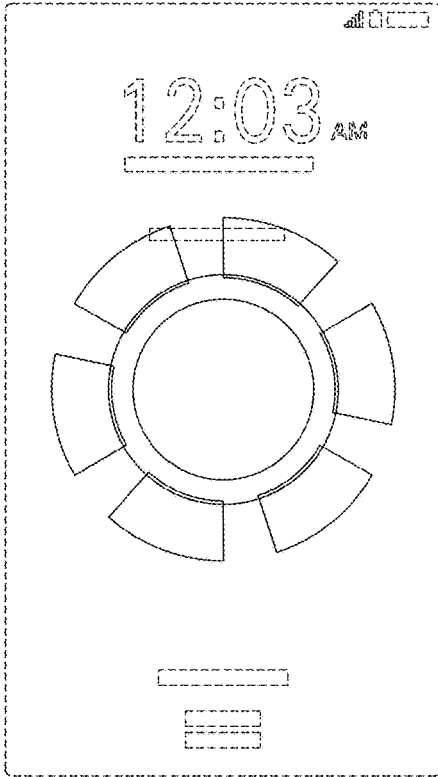


FIG.2

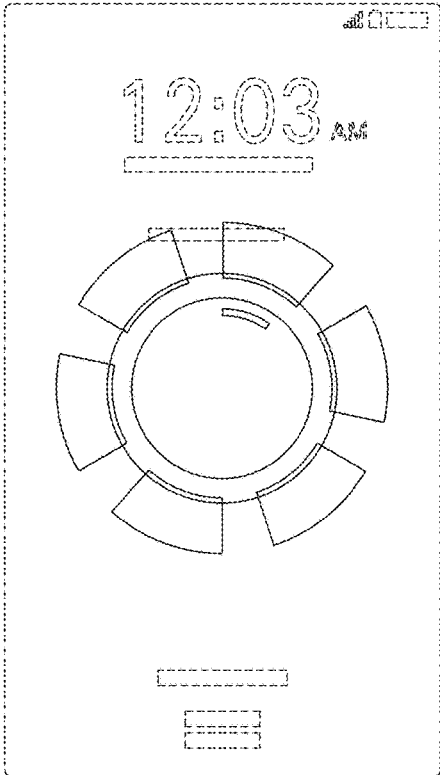


FIG.3

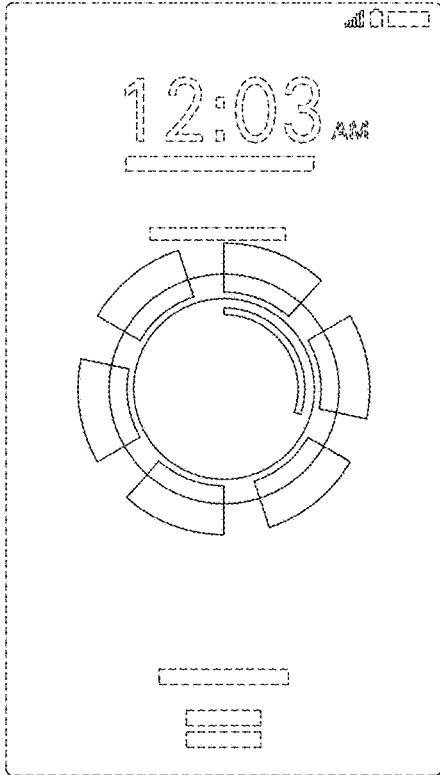


FIG.4

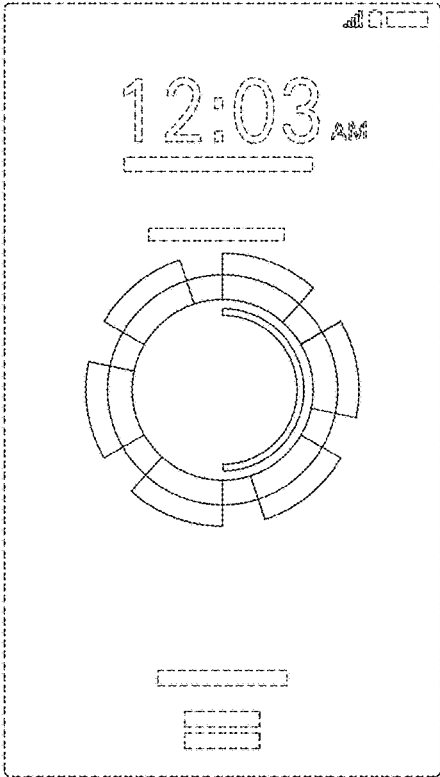


FIG. 5

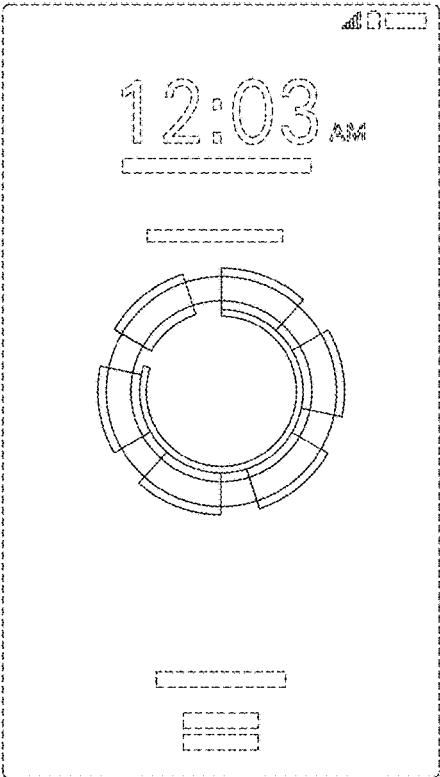


FIG. 6

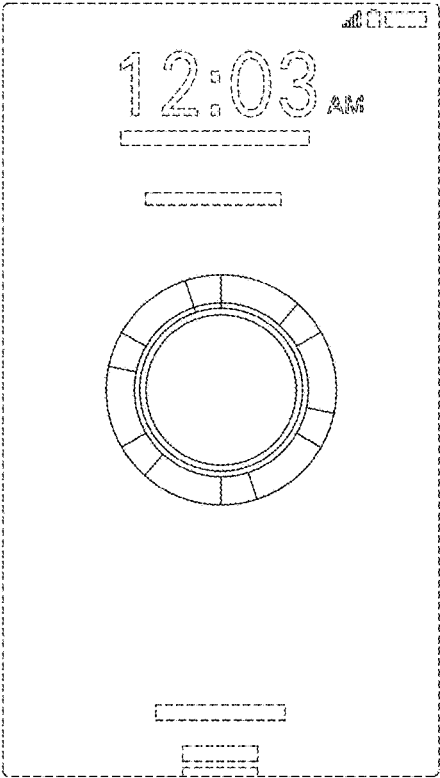


FIG. 7

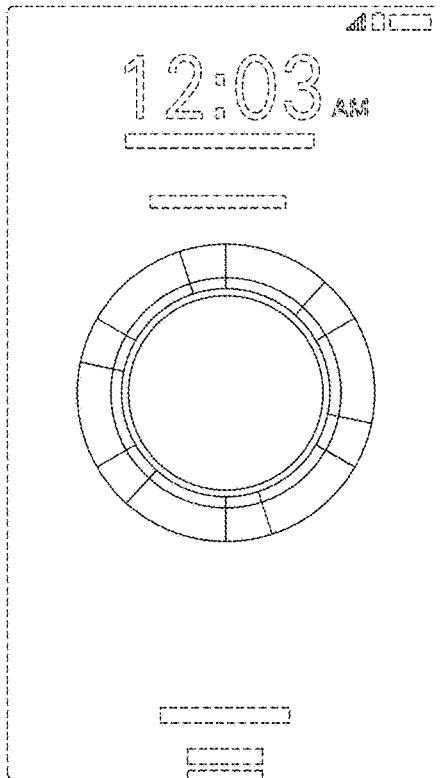


FIG. 8

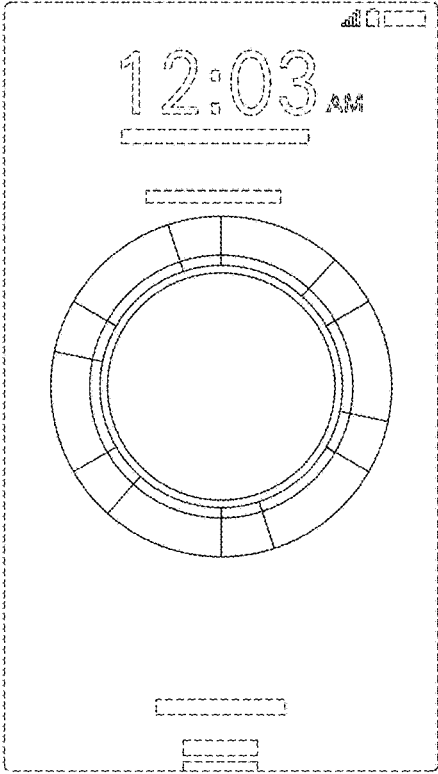


FIG. 9

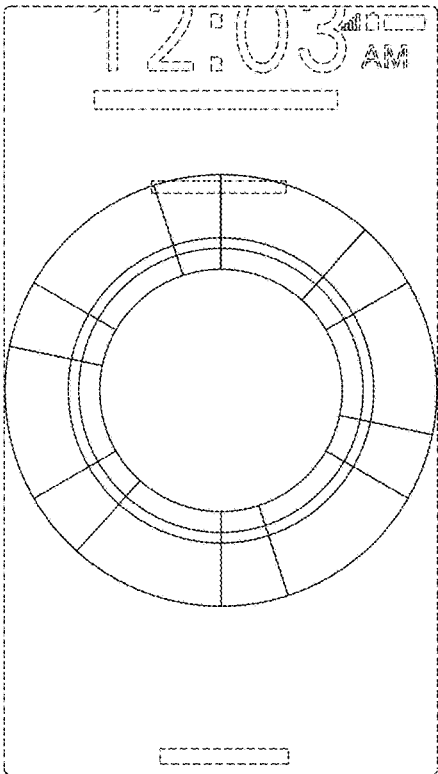


FIG. 10

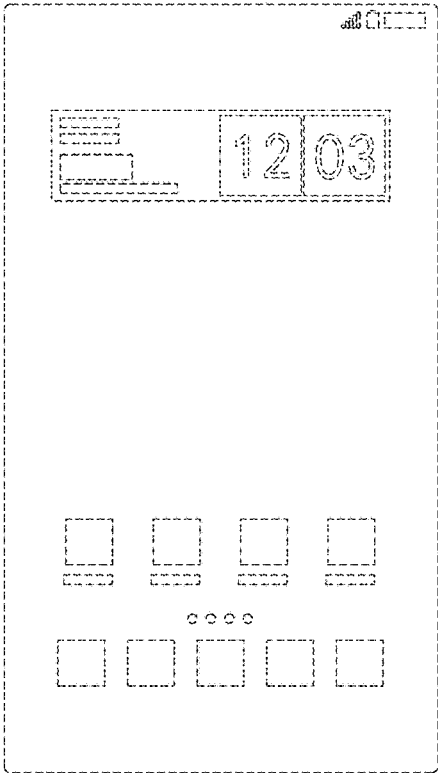


FIG. 11

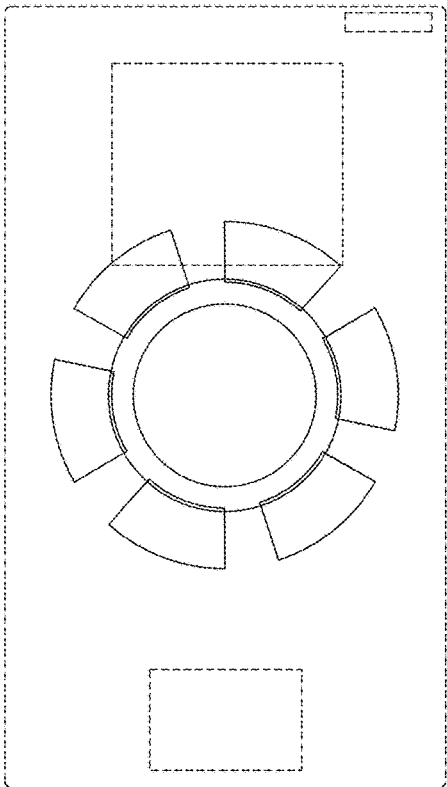


FIG.12

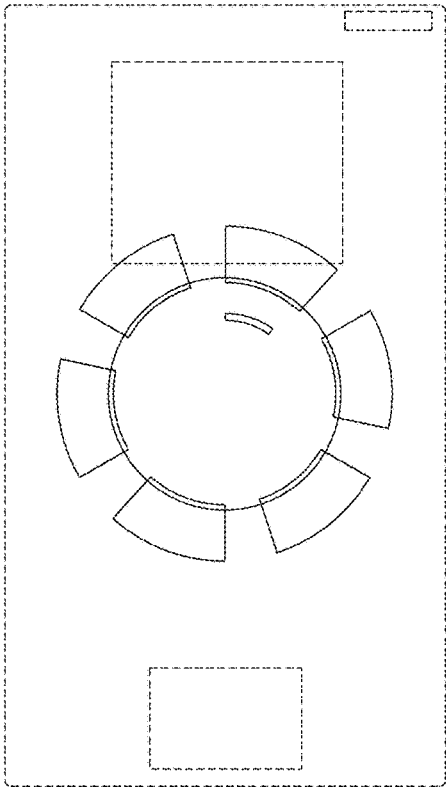


FIG.13

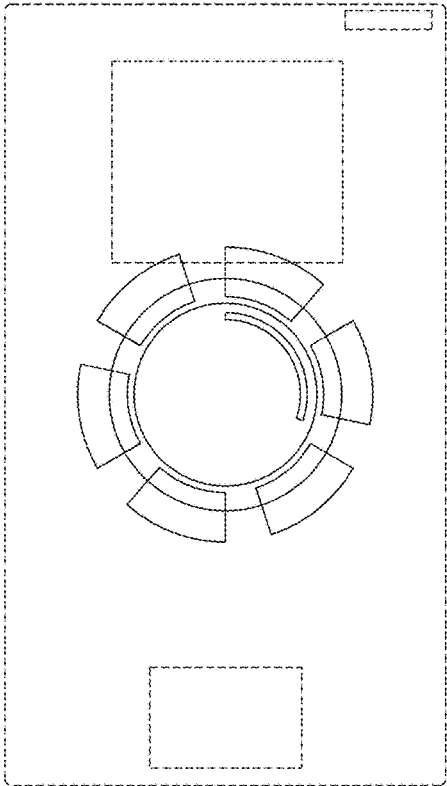


FIG.14

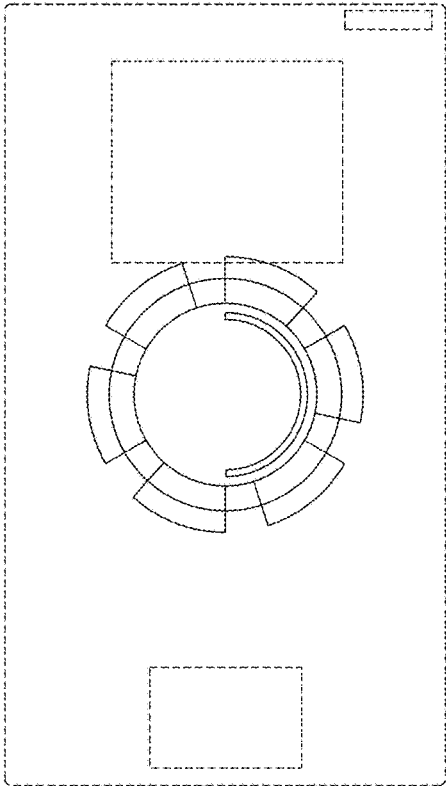


FIG.15

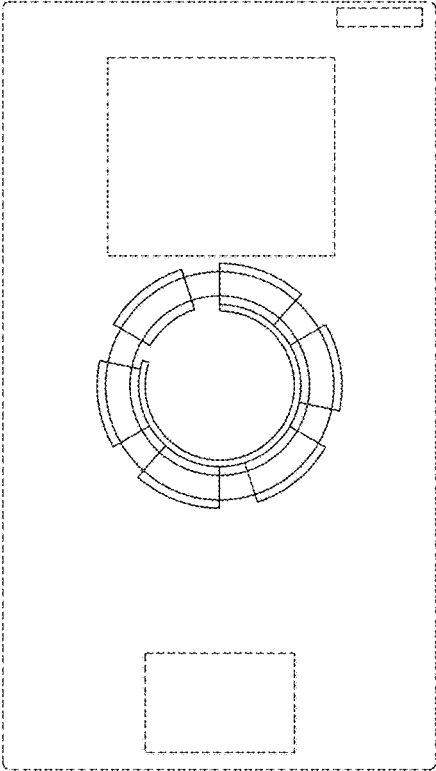


FIG. 16

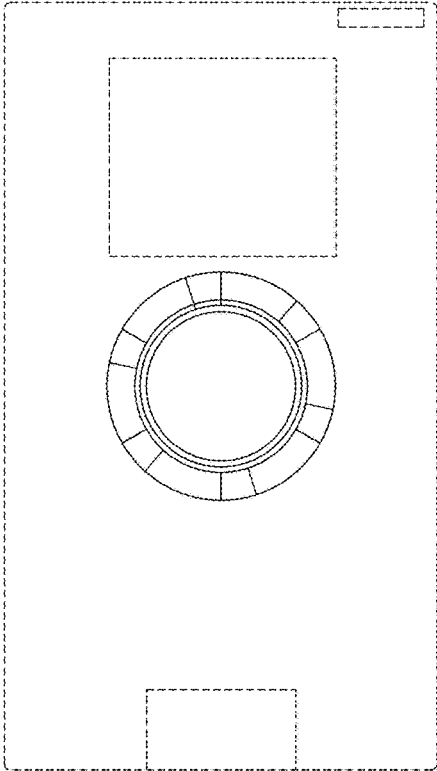


FIG. 17

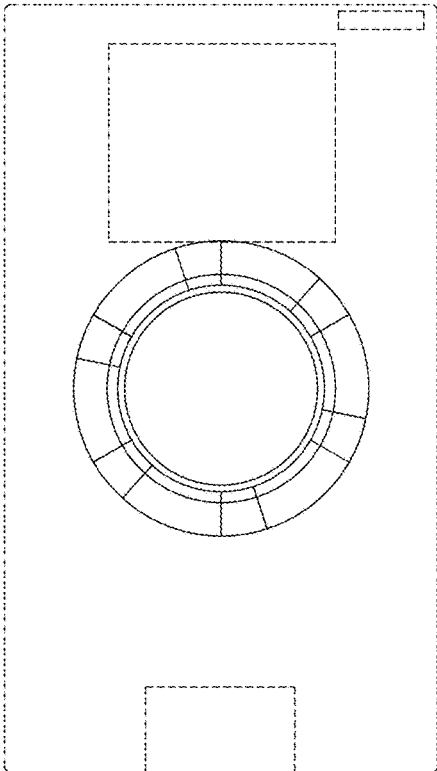


FIG. 18

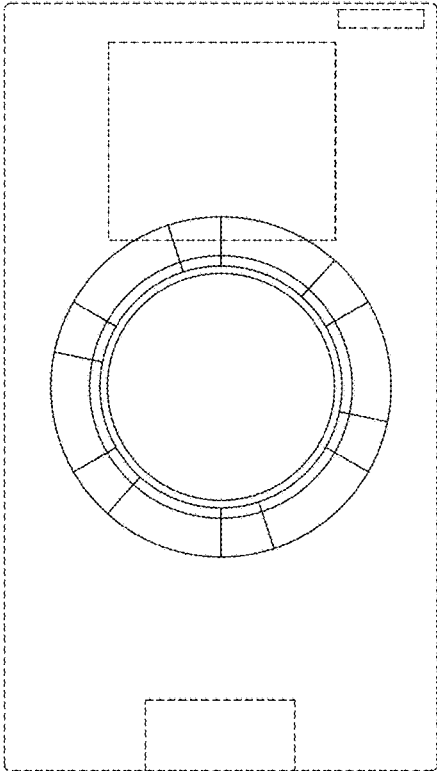


FIG. 19

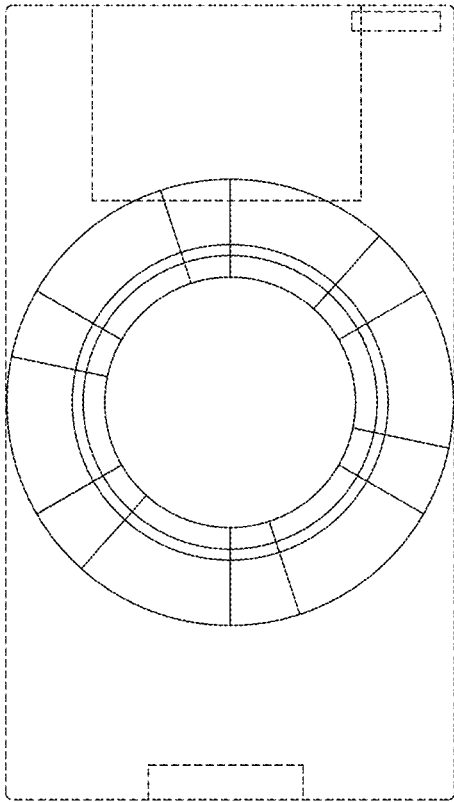


FIG.20

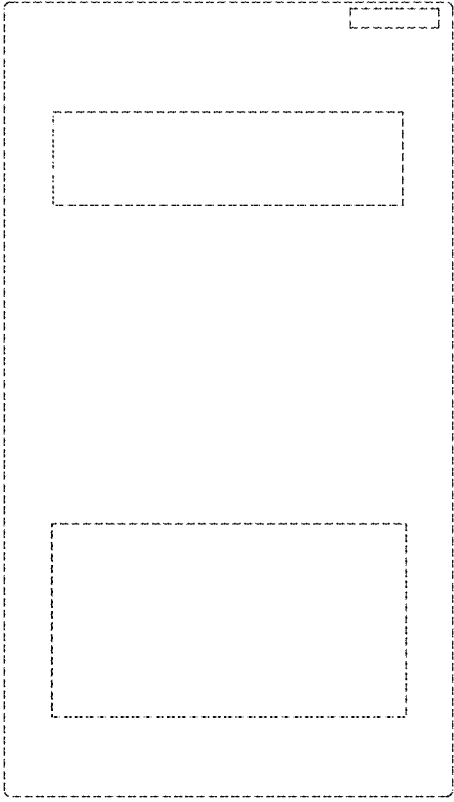


FIG.21