



US00D739664S

(12) **United States Design Patent**
Wieland et al.

(10) **Patent No.:** **US D739,664 S**

(45) **Date of Patent:** **** Sep. 29, 2015**

(54) **FURNITURE CONVERTIBLE BETWEEN SOFA AND SLEEP CONFIGURATIONS**

(71) Applicant: **Sauder Manufacturing Company,**
Archbold, OH (US)

(72) Inventors: **Blair Wieland,** Ft. Wayne, IN (US); **Joel Derek Alberda,** Leo, IN (US)

(73) Assignee: **Sauder Manufacturing Co.,** Archbold, OH (US)

(**) Term: **14 Years**

(21) Appl. No.: **29/456,720**

(22) Filed: **Jun. 3, 2013**

Related U.S. Application Data

(63) Continuation-in-part of application No. 12/860,246, filed on Aug. 20, 2010.

(51) **LOC (10) CI.** **06-01**

(52) **U.S. CI.**

USPC **D6/381**

(58) **Field of Classification Search**

USPC D6/334, 335, 337, 349, 353, 374, 380, D6/381, 716, 716.1; 297/14, 43, 44, 118, 297/140, 245, 300.1, 311, 353, 354.1, 297/445.1, 446.1, 446.2, 447.4, 465, 900, 297/DIG. 2, DIG. 7; 5/12.1, 12.2

CPC A47C 1/02; A47C 7/24; A47C 17/00; A47C 17/02; A47C 17/04; A47C 17/045; A47C 17/12; A47C 17/132; A47C 17/136

See application file for complete search history.

(56) **References Cited**

U.S. PATENT DOCUMENTS

481,385 A 8/1892 Barger
2,028,426 A 1/1936 Wunderlich
2,295,083 A 9/1942 Jonassen
2,330,059 A 9/1943 Krakauer
2,435,936 A 2/1948 Wilson
2,437,949 A 3/1948 Fox

2,634,429 A 4/1953 Hopeman
2,672,626 A 3/1954 Watt
2,714,729 A 8/1955 Bohnsack
2,928,105 A 3/1960 Bohnsack
3,048,855 A 8/1962 Frank
3,913,973 A * 10/1975 Mintz et al. 297/127
4,048,680 A 9/1977 Rogers
4,104,747 A 8/1978 Bell
D251,039 S * 2/1979 Reppas D6/384
4,318,195 A * 3/1982 Reppas 5/2.1
4,476,592 A * 10/1984 Reppas et al. 5/164.1
D321,797 S 11/1991 Paris
D326,367 S 5/1992 Messina
5,136,737 A * 8/1992 Reppas et al. 5/2.1
5,224,228 A 7/1993 Larrimore
5,621,930 A 4/1997 Reppas
5,695,239 A 12/1997 Johnson
6,508,526 B2 1/2003 Reppas
6,651,274 B2 11/2003 Swihat
6,779,208 B2 8/2004 Lim
6,904,628 B2 6/2005 Murphy
6,934,979 B2 8/2005 Swan
D555,383 S 11/2007 Borgonovo
7,549,182 B2 6/2009 Murphy
7,607,180 B2 10/2009 Griepentrog
D716,576 S * 11/2014 Wieland et al. D6/381
9,027,178 B2 * 5/2015 Wieland et al. 5/2.1
2004/0195798 A1 10/2004 Newfer
2005/0267900 A1 12/2005 Ahmed
2007/0136952 A1 6/2007 Sargent
2008/0148478 A1 6/2008 Patella
2008/0189851 A1 8/2008 Griepentrog
2012/0131745 A1 5/2012 Wieland

* cited by examiner

Primary Examiner — Sandra Snapp

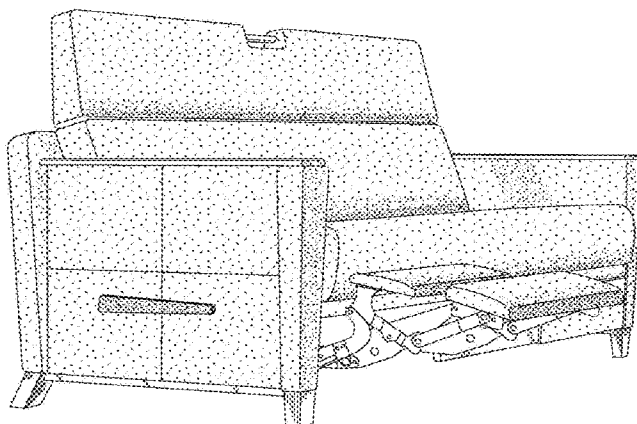
(74) *Attorney, Agent, or Firm* — Varnum, Riddering, Schmidt & Howlett LLP

(57) **CLAIM**

We claim, the ornamental design for furniture convertible between sofa and sleep configurations, as shown and described.

DESCRIPTION

FIG. 1 is a perspective view of a first embodiment of our design for furniture convertible between sofa and sleep configurations in accordance with our invention, consisting of



recessed wood cap arms and shown in the sofa position, with the side end of our invention which opposes the side end shown in the drawing being substantially a mirror image thereof;

FIG. 2 is a perspective view of a further embodiment of our design for furniture convertible between sofa and sleep configurations in accordance with our invention, consisting of recessed wood panel/wood cap arms with an ottoman as an option, and shown in the sofa position, with the side end of our invention which opposes the side end shown in the drawing being substantially a mirror image thereof;

FIG. 3 is a perspective view of the embodiment of design for furniture convertible between sofa and sleep configurations shown in FIG. 2, but showing our invention in a sleep position, with the side end of our invention which opposes the side end shown in the drawing being substantially a mirror image thereof;

FIG. 4 is a perspective view of the embodiment shown in FIG. 3 of our design for furniture convertible between sofa and sleep configurations, but showing the ottoman in an extended position, with the side end of our invention which opposes the side end shown in the drawing being substantially a mirror image thereof;

FIG. 5 is a perspective view of an embodiment of our design for furniture convertible between sofa and sleep configurations in accordance with our invention, showing recessed wood panel/wood cap arms with an ottoman and drawer option, and showing the ottoman in an extended position, with the side end of our invention which opposes the side end shown in the drawings being substantially a mirror image thereof;

FIG. 6 is a perspective view of the embodiment shown in FIG. 5, but showing our design for furniture convertible between sofa and sleep configurations in a sleep position, with the side end of our invention which opposes the side end shown in the drawing being substantially a mirror image thereof;

FIG. 7 is a perspective view of another embodiment of our design for furniture convertible between sofa and sleep configurations in accordance with our invention, consisting of recessed wood cap arms and shown in the sofa position, with

the side end of our invention which opposes the side end shown in the drawing being substantially a mirror image thereof;

FIG. 8 is a perspective view of a further embodiment of our design for furniture convertible between sofa and sleep configurations in accordance with our invention, consisting of recessed wood panel/wood cap arms with an ottoman as an option, and shown in the sofa position, with the side end of our invention which opposes the side end shown in the drawing being substantially a mirror image thereof;

FIG. 9 is a perspective view of the embodiment of our invention for design for furniture convertible between sofa and sleep configurations shown in FIG. 8, but showing our invention in a sleep position, with the side end of our invention which opposes the side end shown in the drawing being substantially a mirror image thereof;

FIG. 10 is a perspective view of the embodiment of our design for furniture convertible between sofa and sleep configurations shown in FIG. 9, but showing the ottoman in an extended position, with the side end of our invention which opposes the side end shown in our drawing being substantially a mirror image thereof;

FIG. 11 is a perspective view of an embodiment of our design for furniture convertible between sofa and sleep configurations in accordance with our invention, showing recessed wood panel/wood cap arms with an ottoman and drawer option, and showing the ottoman in an extended position, with the side end of our invention which opposes the side end shown in the drawing being substantially a mirror image thereof; and,

FIG. 12 is a perspective view of the embodiment shown in FIG. 11, but showing our design for furniture convertible between sofa and sleep configurations in a sleep position, with the side end of our invention which opposes the side end shown in the drawing being substantially a mirror image thereof.

The phantom or broken lines show in part the boundaries of our invention and in part the environment in which our invention resides, and form no part of the claimed design.

1 Claim, 12 Drawing Sheets

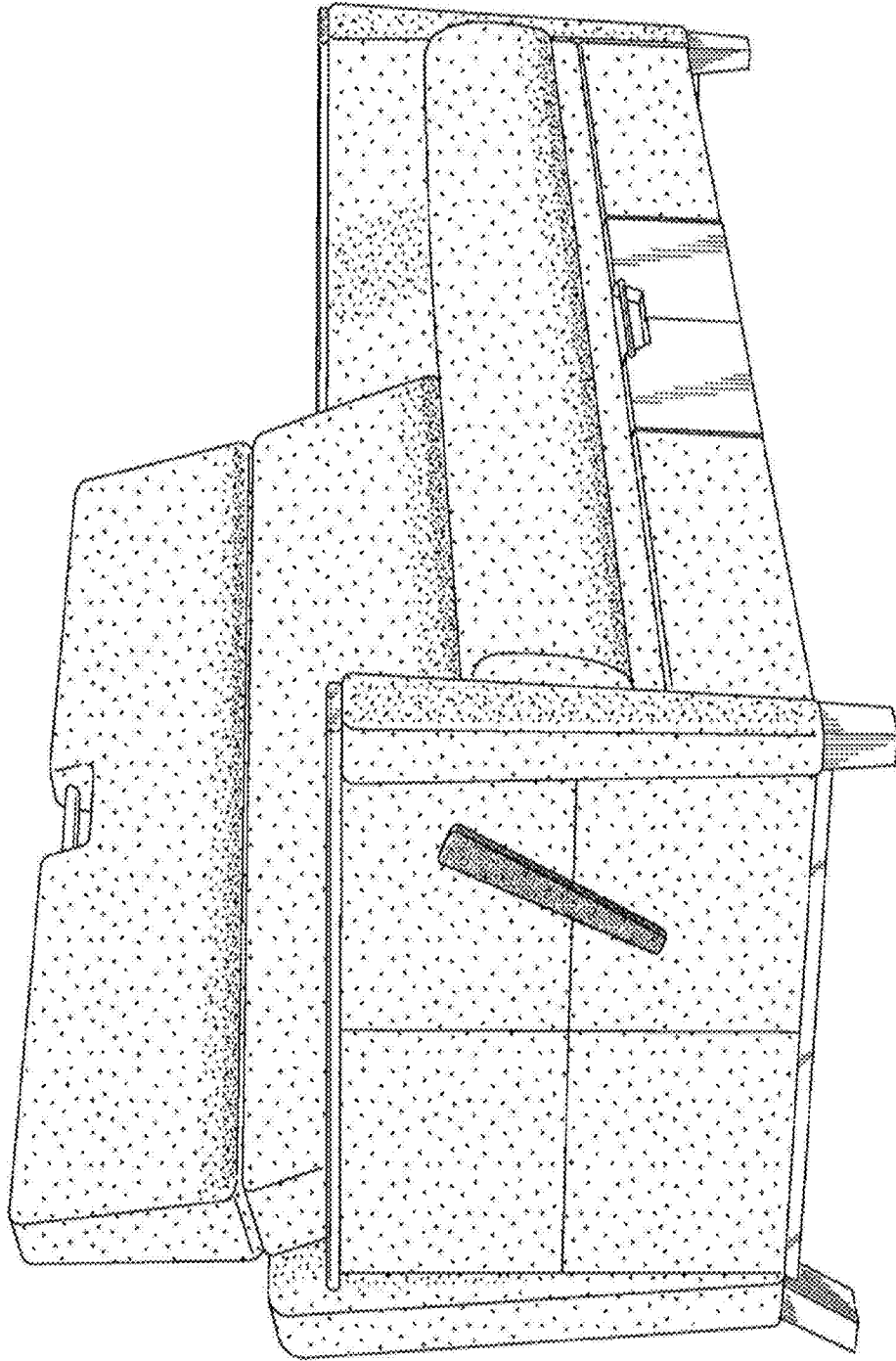


Fig. 1

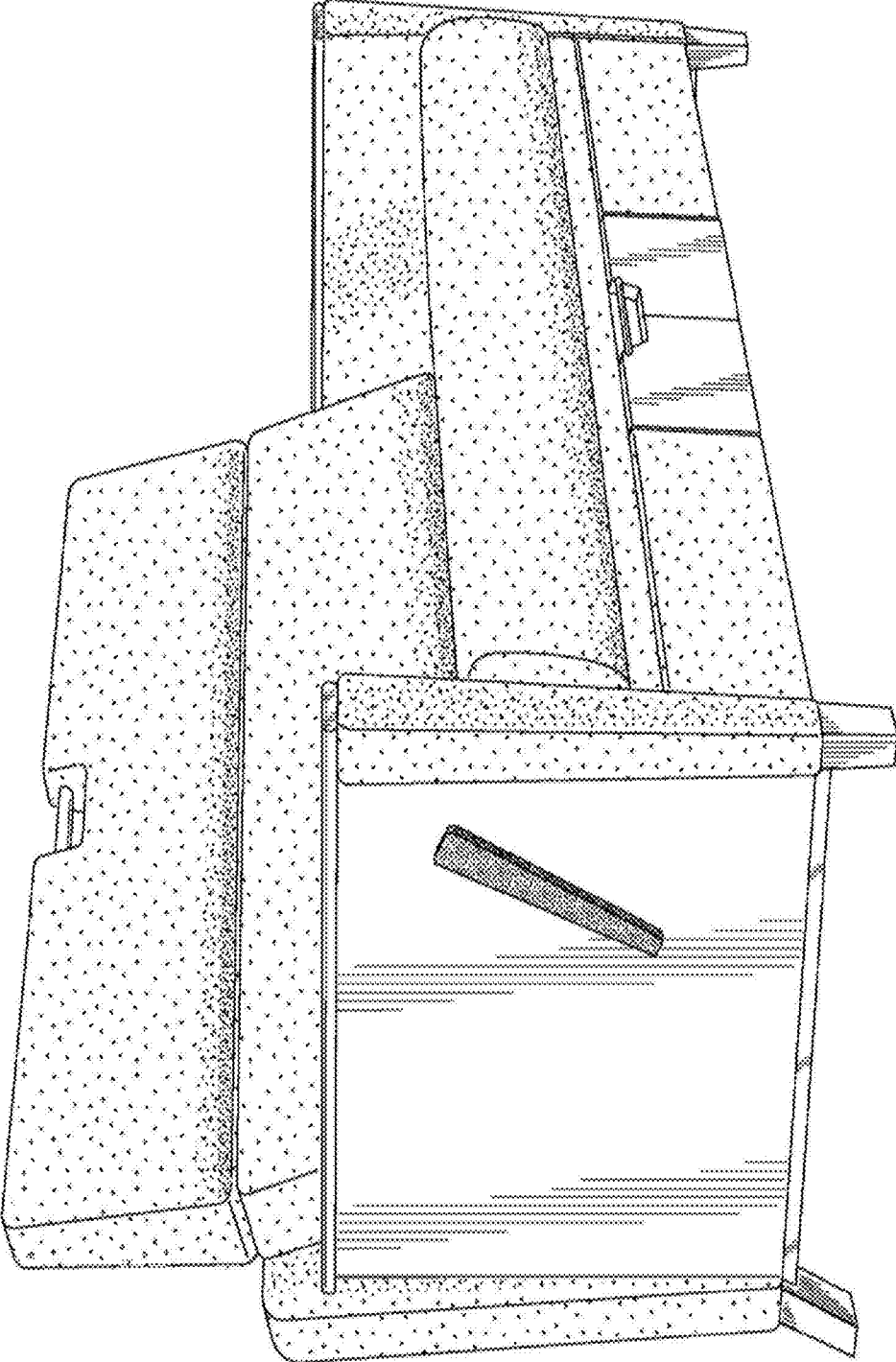


Fig. 2

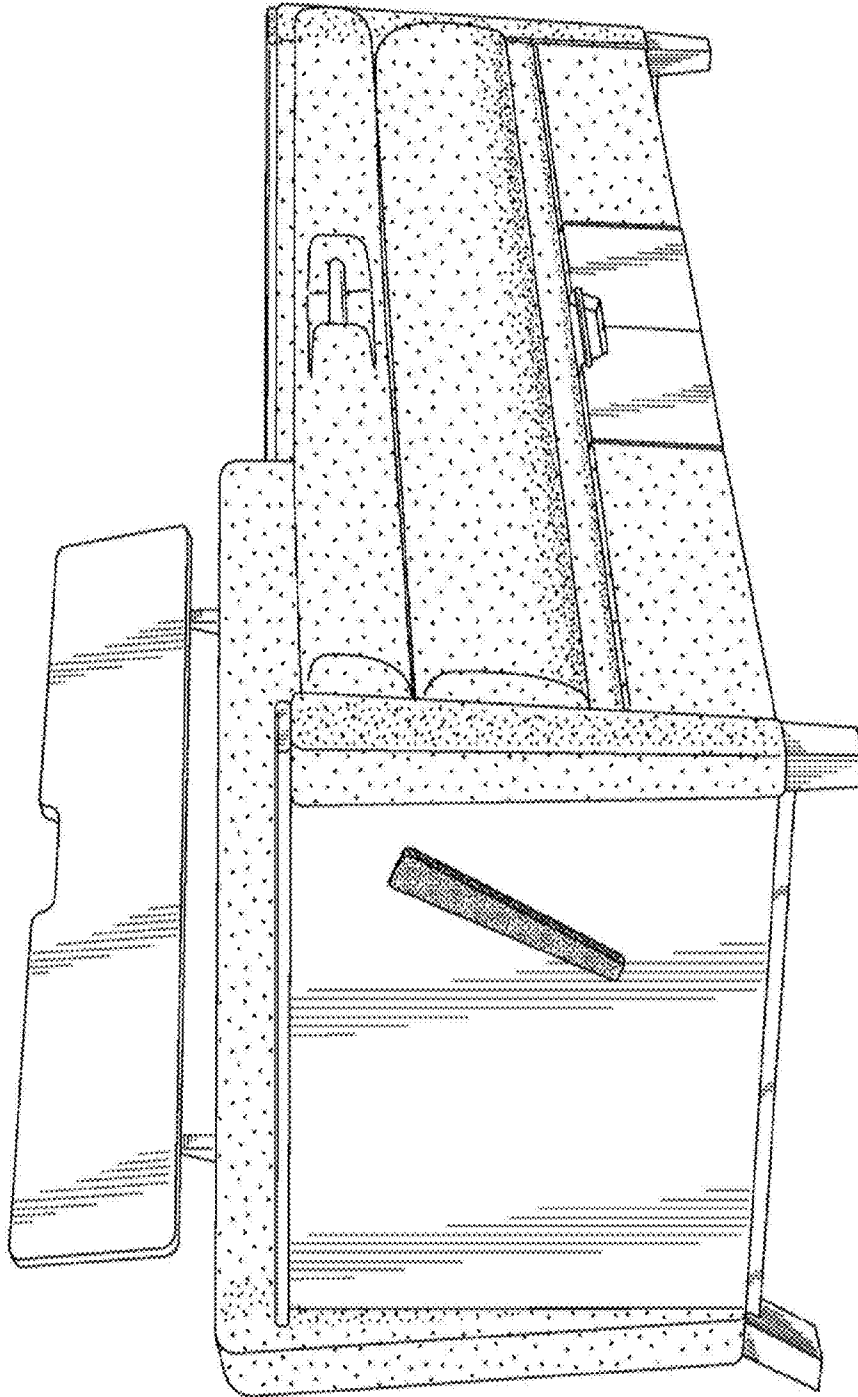


Fig. 3

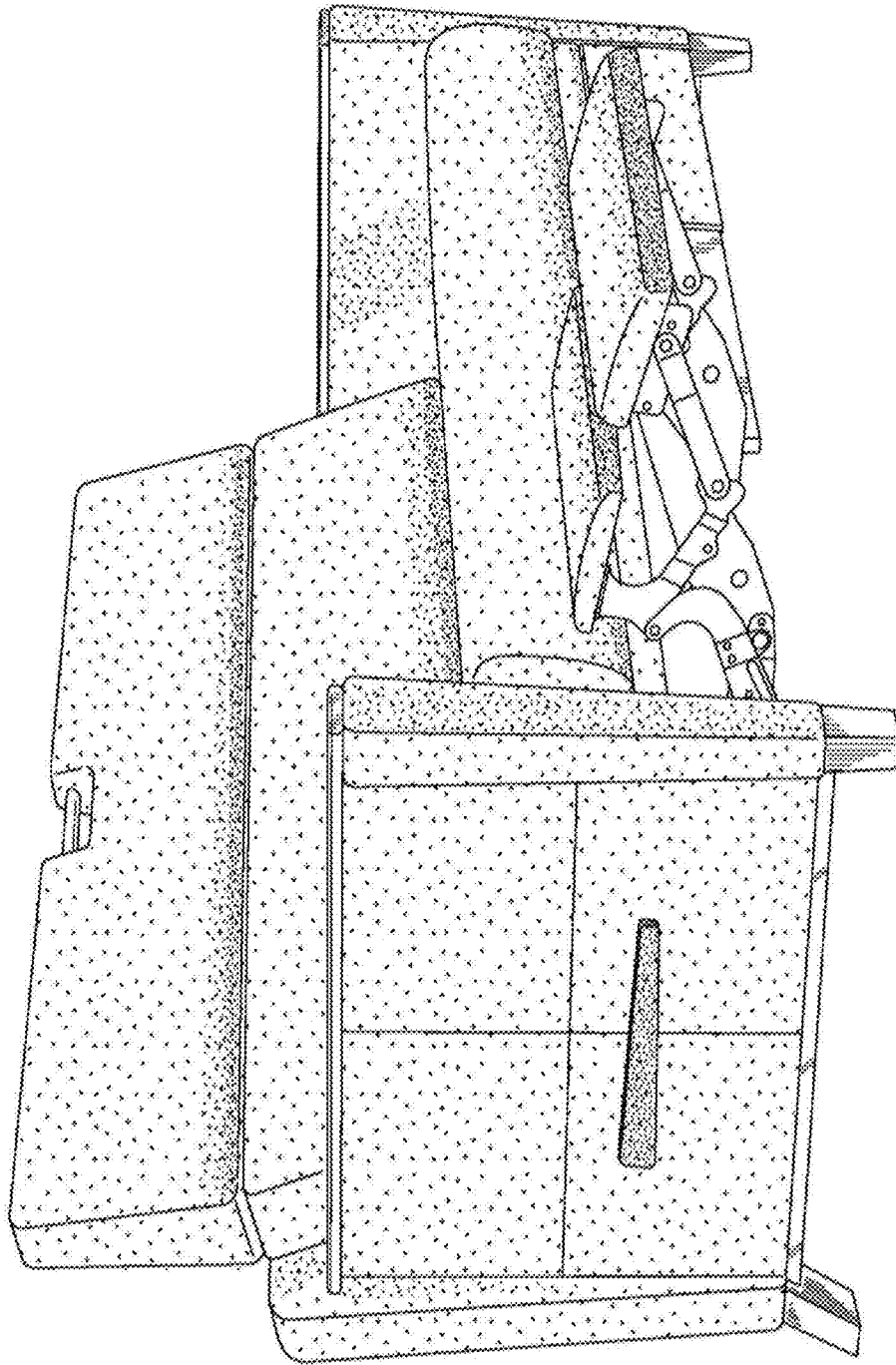


Fig. 4

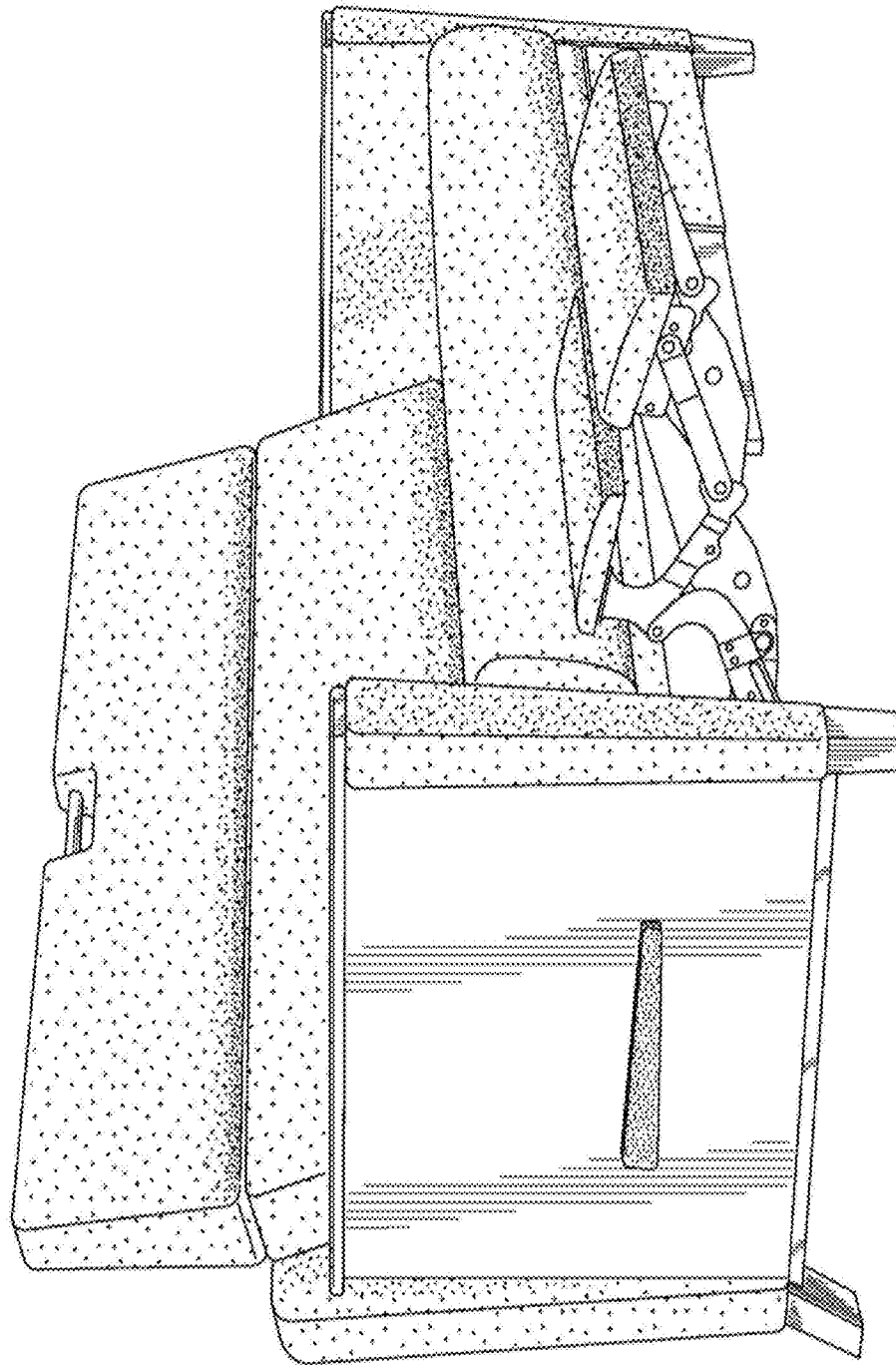


Fig.5

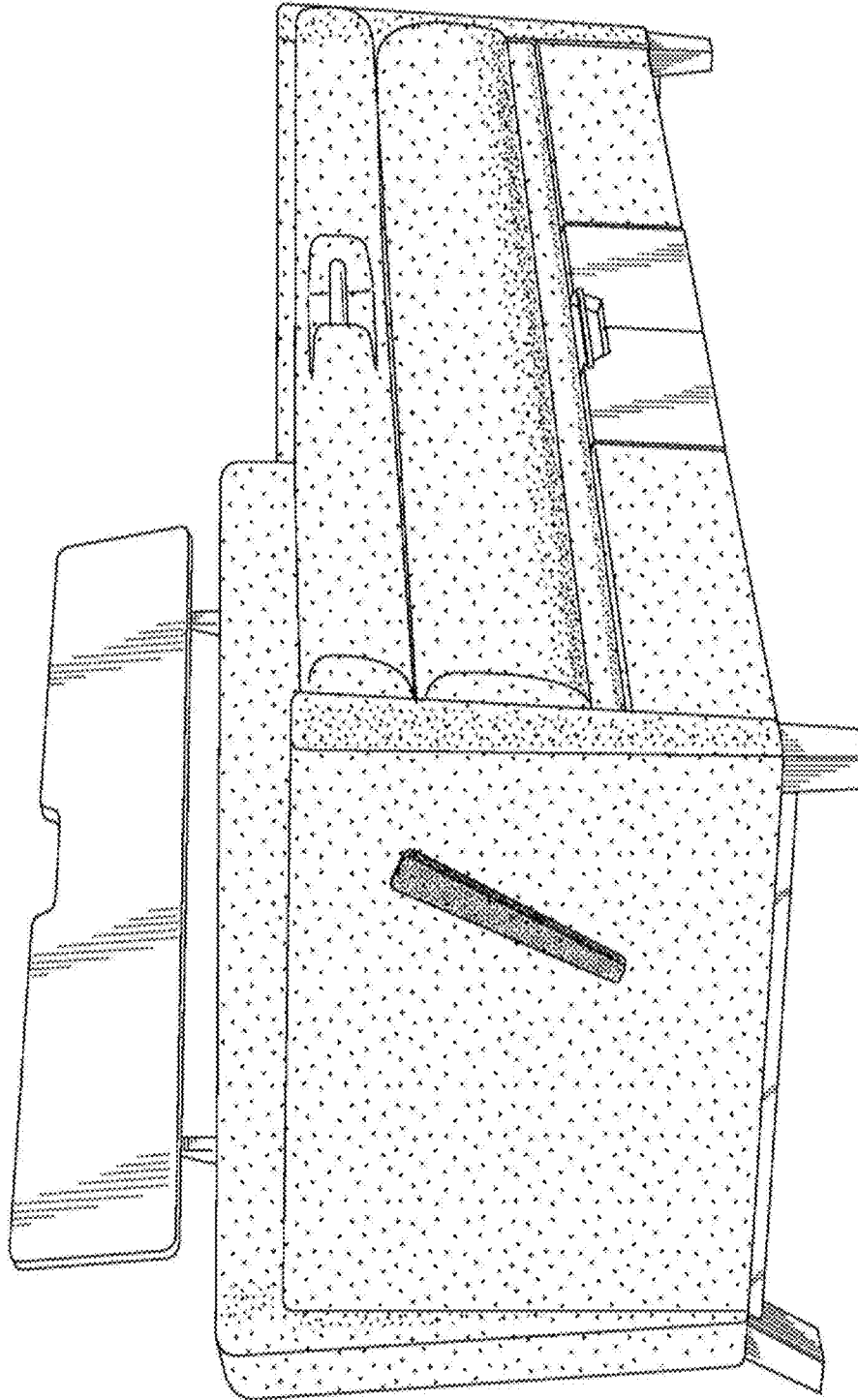


Fig. 6

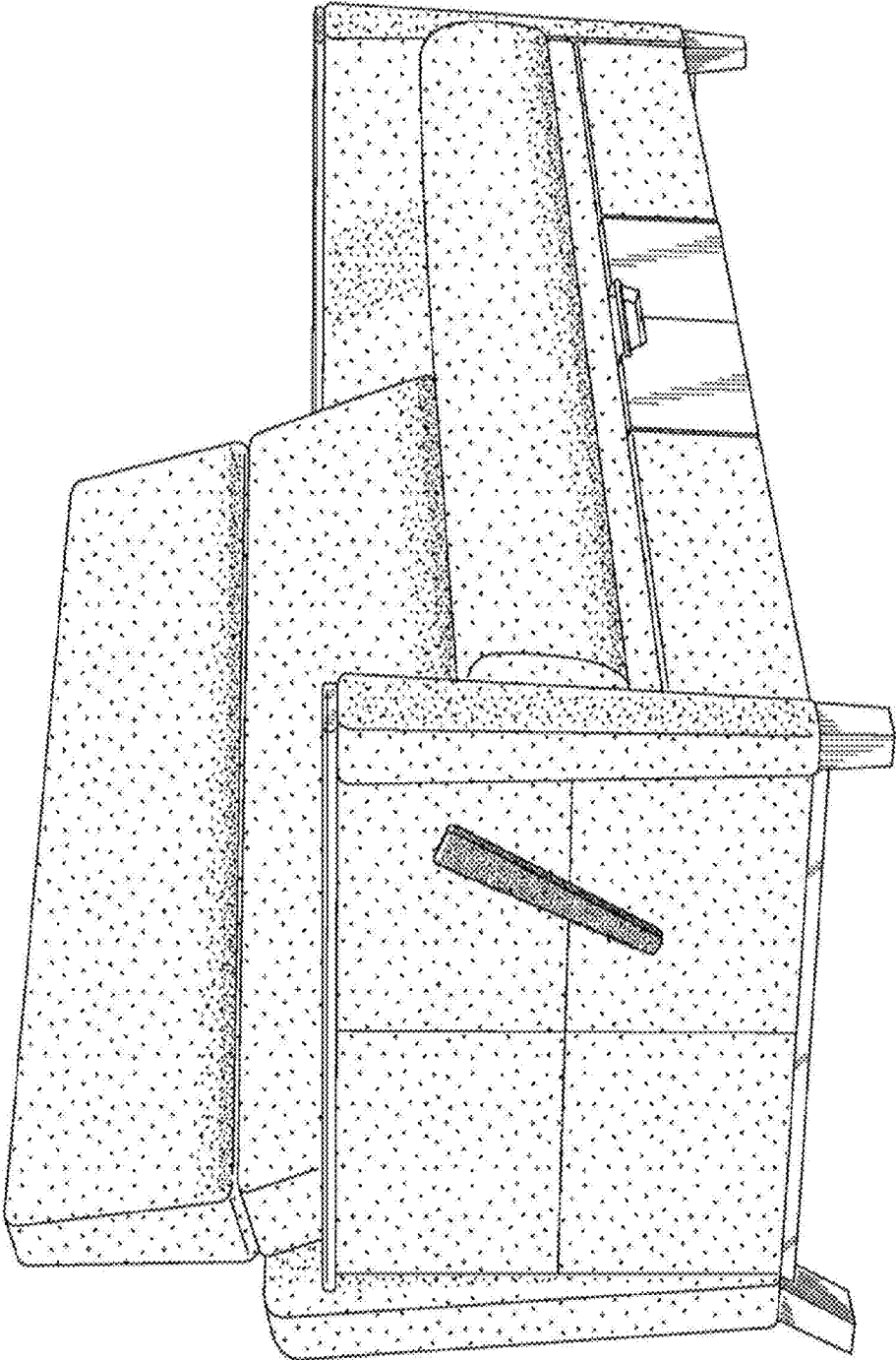


Fig. 7

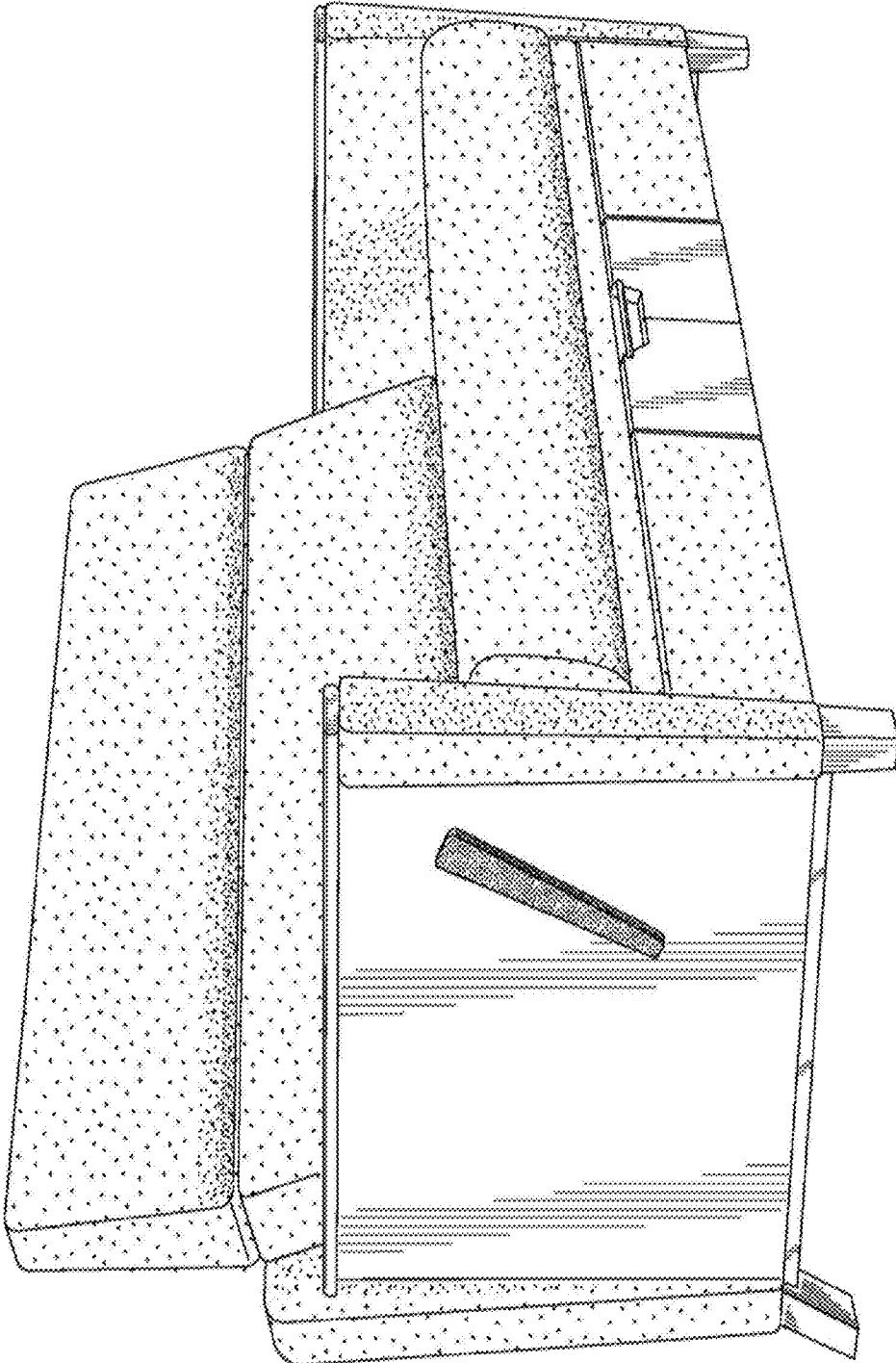


Fig. 8

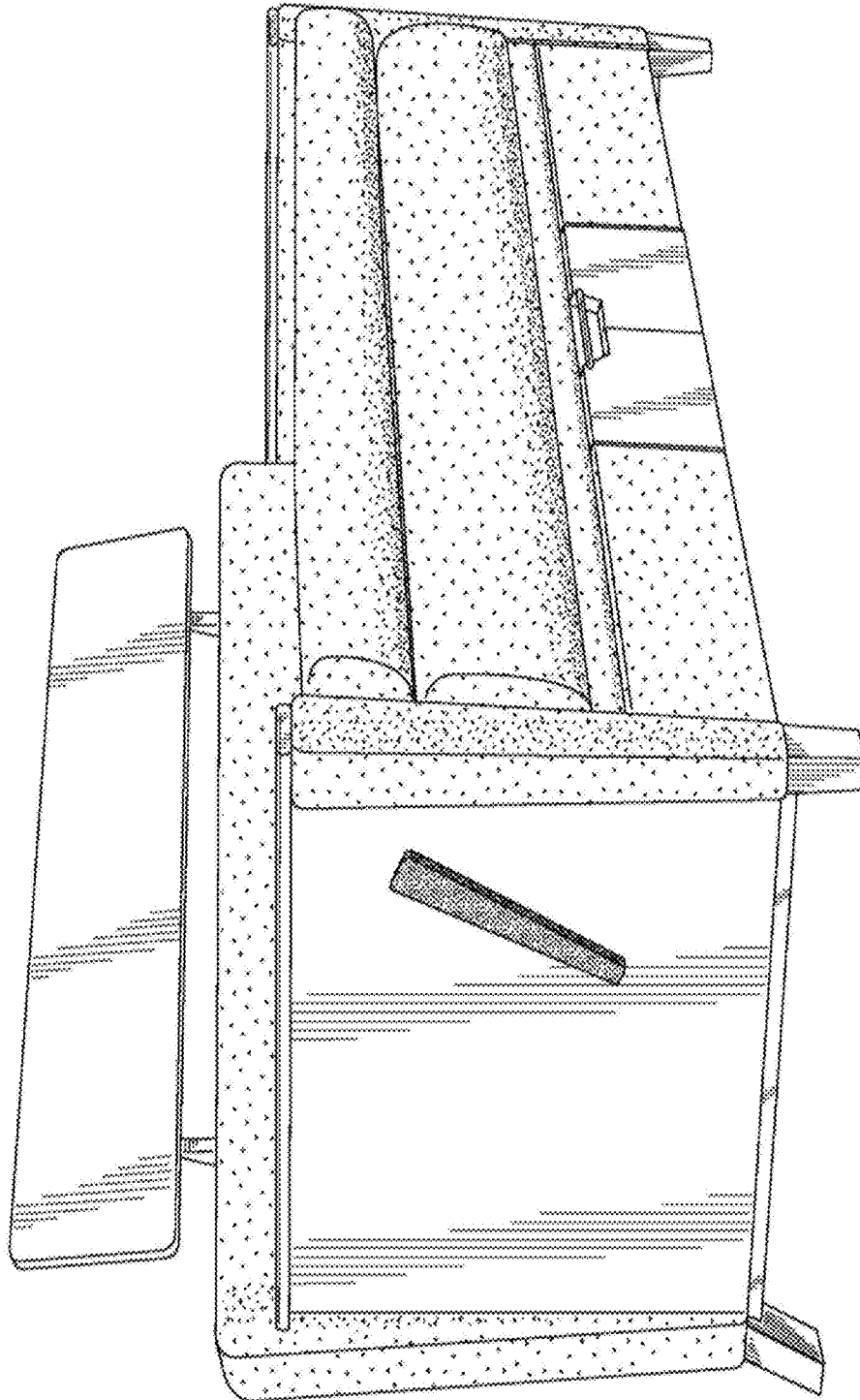


Fig. 9

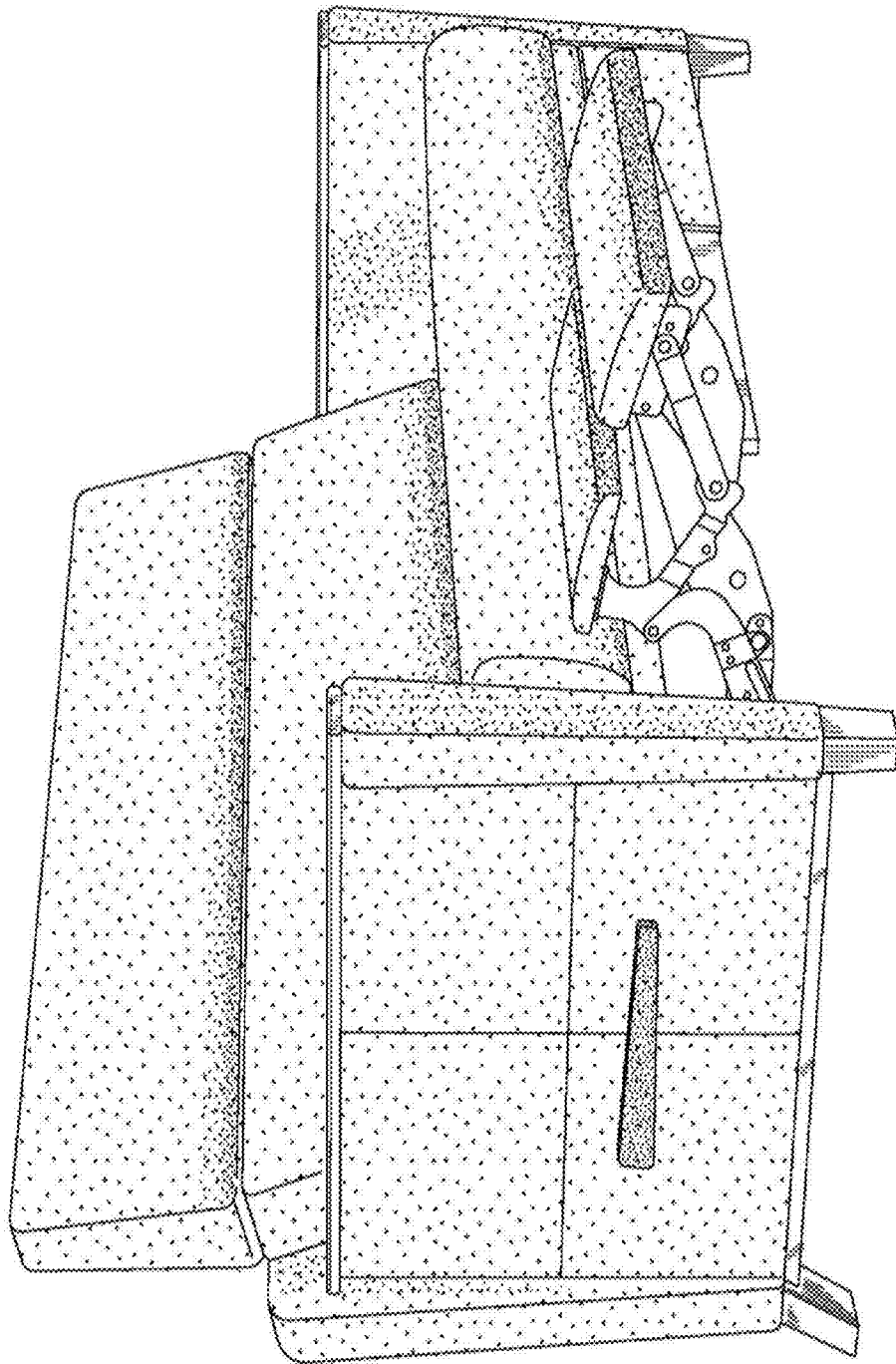


Fig. 10

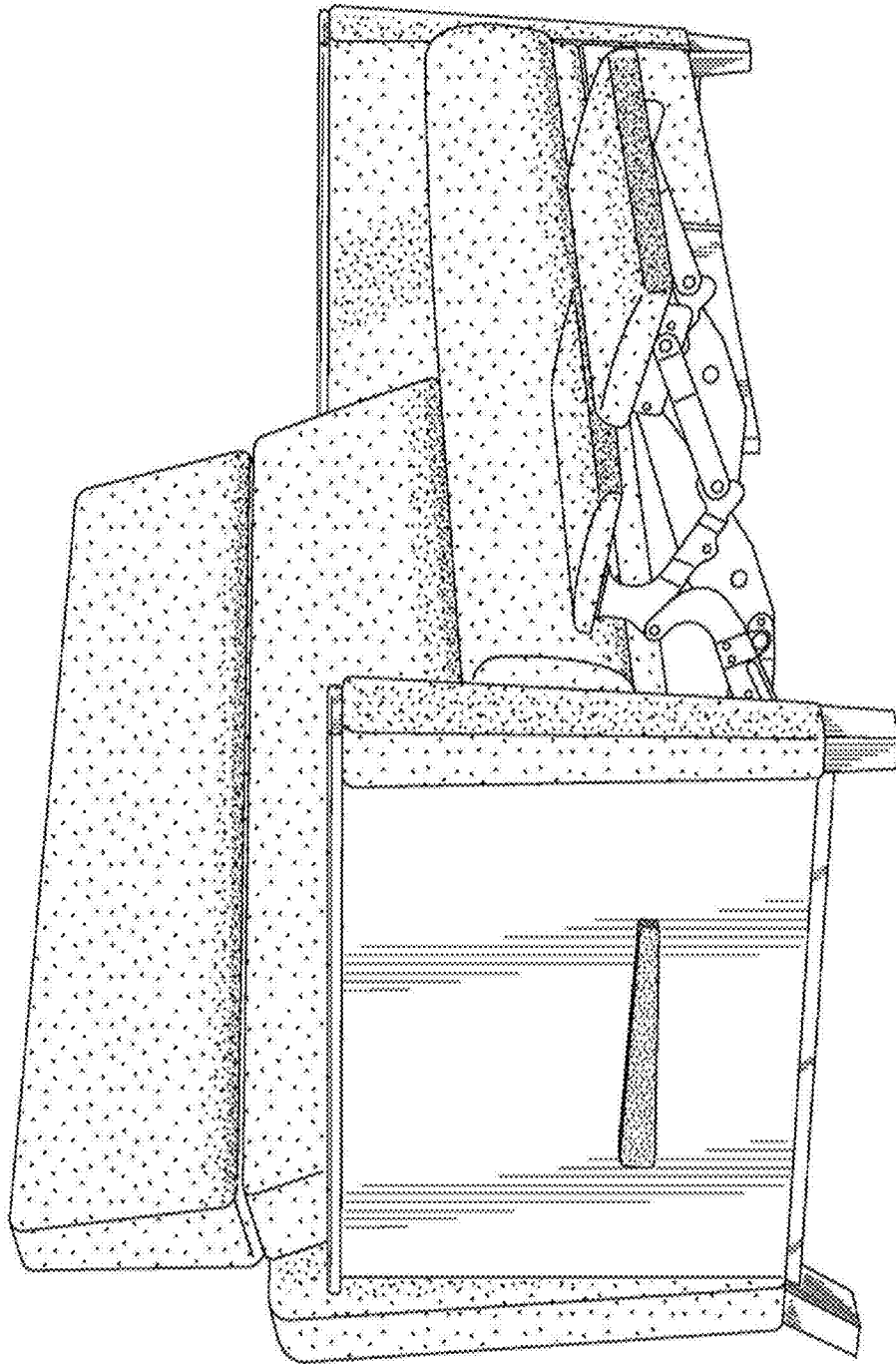


Fig. 11

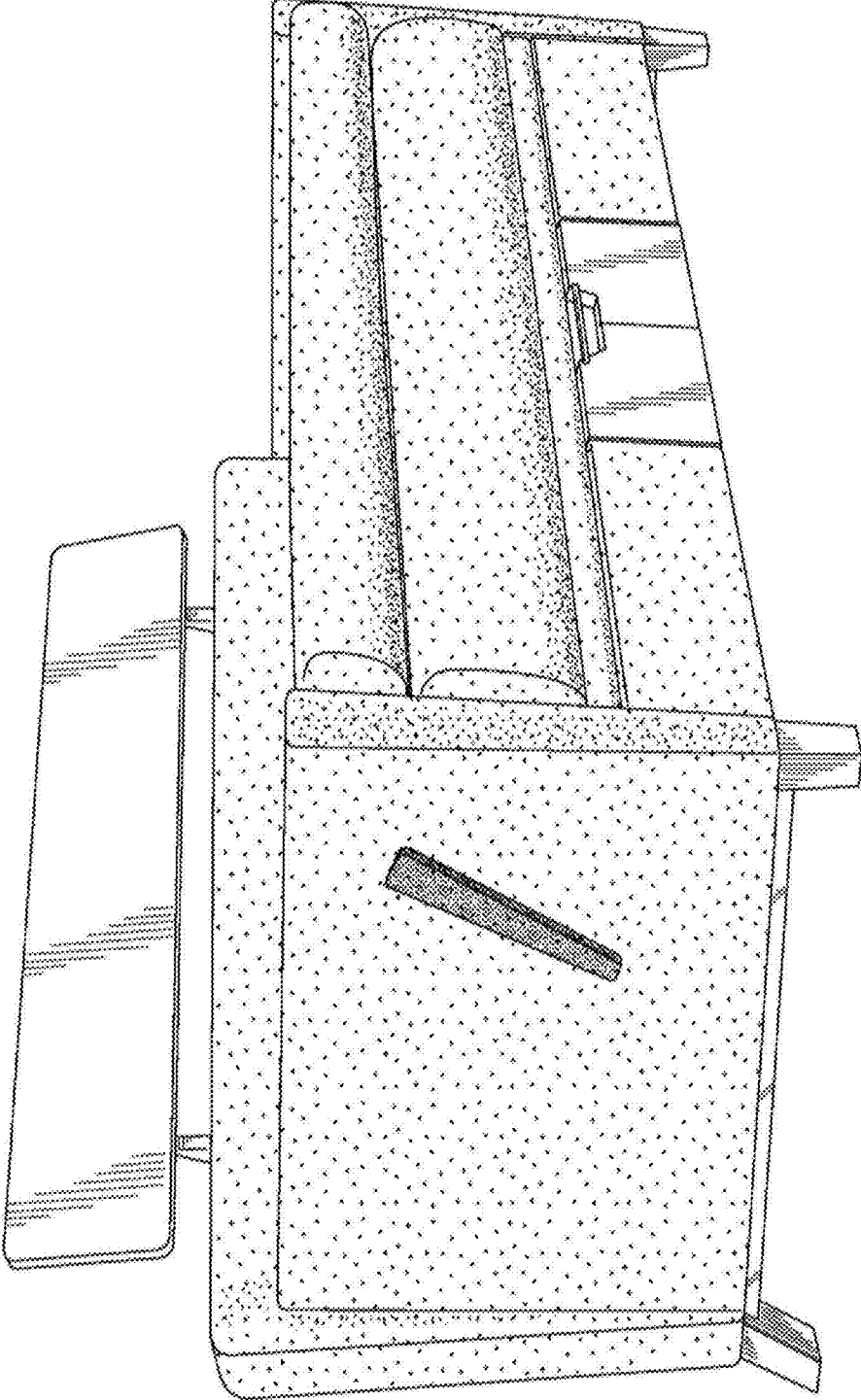


Fig. 12