

United States Patent [19]

Maloney

[11] Patent Number: Des. 284,758

[45] Date of Patent: ** Jul. 22, 1986

[54] POWER OUTLET BOX WITH INTEGRAL SURGE PROTECTOR

[75] Inventor: Brian J. Maloney, St. Charles, Ill.

[73] Assignee: International Jensen Incorporated, Schiller Park, Ill.

[**] Term: 14 Years

[21] Appl. No.: 488,138

[22] Filed: Apr. 25, 1983

[52] U.S. Cl. D13/30; D13/28

[58] Field of Search D13/24, 30, 31, 27, D13/28, 29; D8/352; 339/21 R, 22 R, 147 R, 164 R, 122, 176 M, 14 R, 119 C, 147 C, 157 C; 337/189, 198, 206, 188, 186

[56] References Cited

U.S. PATENT DOCUMENTS

D. 216,262 12/1969 Robinson D13/29
D. 217,251 4/1970 Kahn D13/30
D. 240,232 6/1976 Bunnell D13/30 X
D. 247,895 5/1978 Gillette D13/30

3,327,277 6/1967 Ramsing 339/14 R
3,775,727 11/1973 Wise 339/14 R

FOREIGN PATENT DOCUMENTS

1576607 10/1980 United Kingdom 339/147 R

Primary Examiner—Susan J. Lucas

Assistant Examiner—Clare E. Heflin

Attorney, Agent, or Firm—William Brinks Olds Hofer
Gilson & Lione Ltd.

[57] CLAIM

The ornamental design for a power outlet box with integral surge protector, substantially as shown.

DESCRIPTION

FIG. 1 is a front perspective view of a power outlet box with integral surge protector showing my new design; FIG. 2 is a top plan view thereof; FIG. 3 is a front elevational view thereof; FIG. 4 is a back elevational view thereof; FIG. 5 is a right side elevational view thereof; FIG. 6 is a left side elevational view thereof; and FIG. 7 is a bottom plan view thereof.

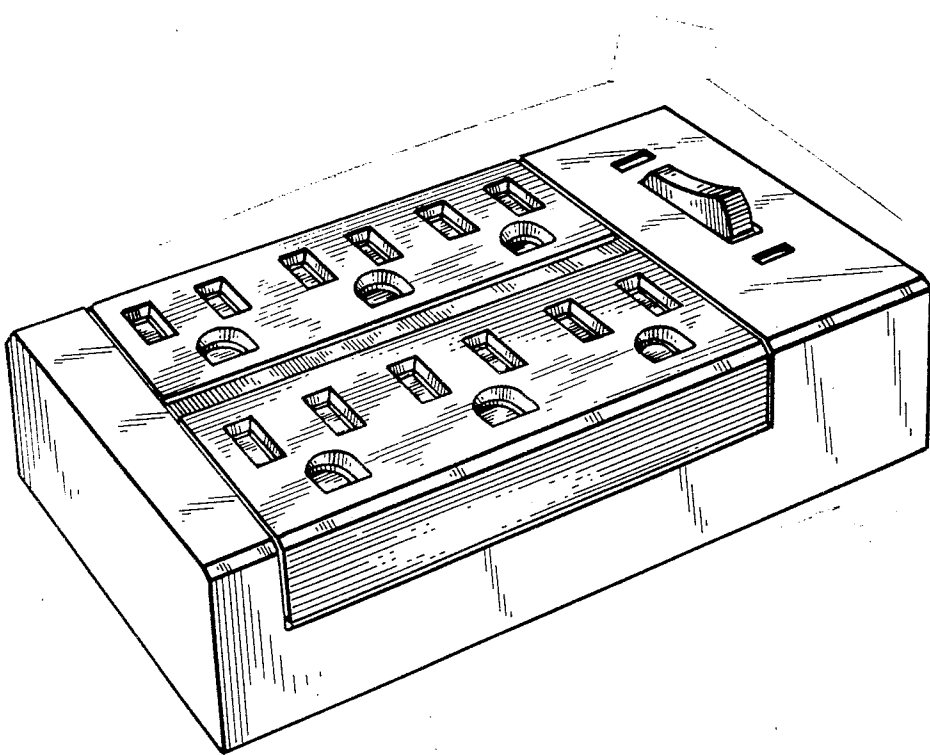


FIG. 1

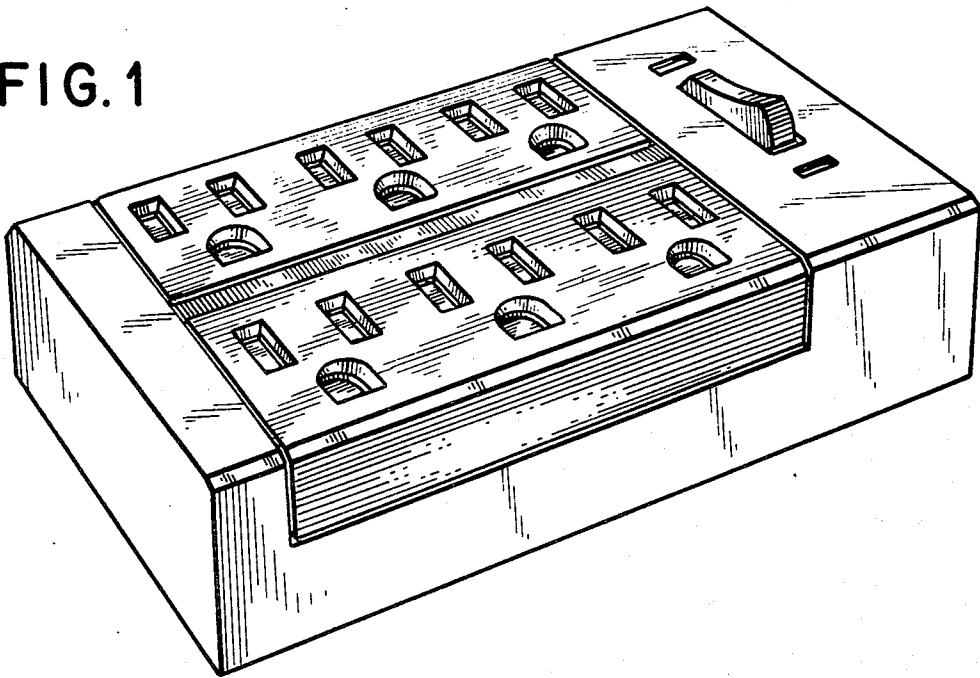


FIG. 2

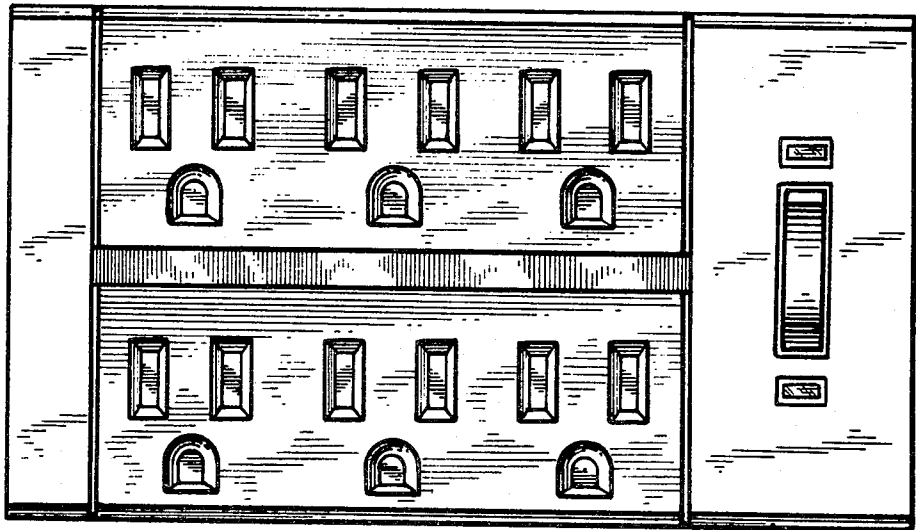


FIG. 3

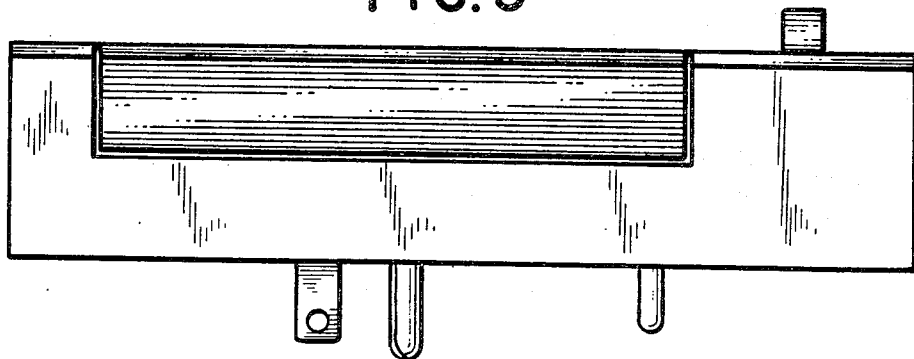


FIG. 4

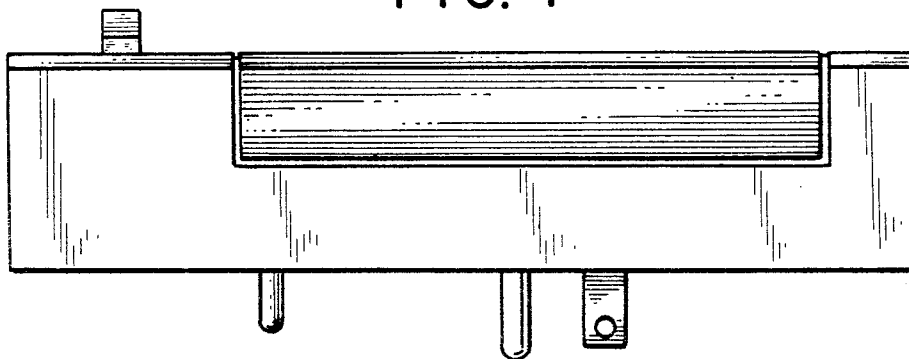


FIG. 5

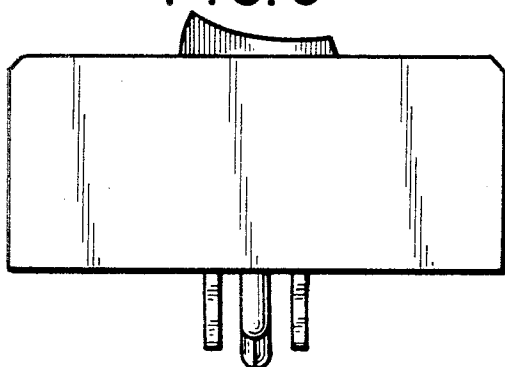


FIG. 6

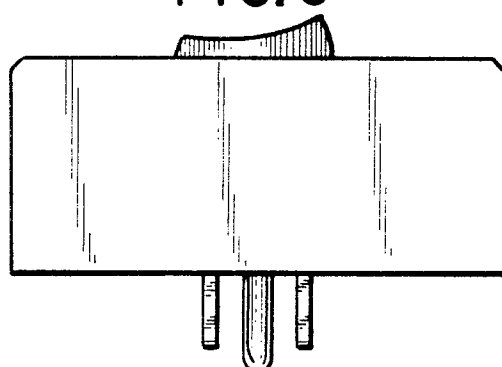


FIG. 7

